



ASPEN STYLE

ORNAMENTAL GATE INSTALLATION GUIDE

3 Rails, Pressed Top/Flat Bottom

Model No. EGBR5842-N2P

INSTALLATION VIDEO AVAILABLE AT: video01.xcelfence.com



Item Description

Gate installation and assembly has never been so easy to install until now. Our non-welded component gate system allows you to assemble a gate in a matter of minutes. No welding needed, and our knocked down packaging allows you to install a gate at the job site with ease. Built from strong wrought iron, pre-galvanized inside and out, double-powder coated, black.

Features

- 3 Rails, Pressed Top/Flat Bottom - Style Gate
- Package Size: 78-7/8" L x 5-1/2" W x 4-1/2" H
- Actual Gate Size: 58" H x 42" W
- Easy Patented Design allows for DIY Assembly with Ease
- No Welding or Painting Required (Snap together Concept/Powder Coated Black)
- On-site assembly
- Zero Maintenance
- Easily Transported/Compact Box
- Gate in a "Box"

Please read these instructions carefully before installing your XCEL gate. If you have any questions or issues installing the gate, please contact us at 866-392-0808 for assistance.

Before You Begin ...

[Watch Installation Video video01.xcelfence.com](http://video01.xcelfence.com)

Check your local zoning laws.

- Local zoning laws and HOA may regulate the location, type and height of your gate.
- If needed, contact local utility companies for assistance in clearing electrical, gas or water lines to avoid hitting any unseen underground utilities.

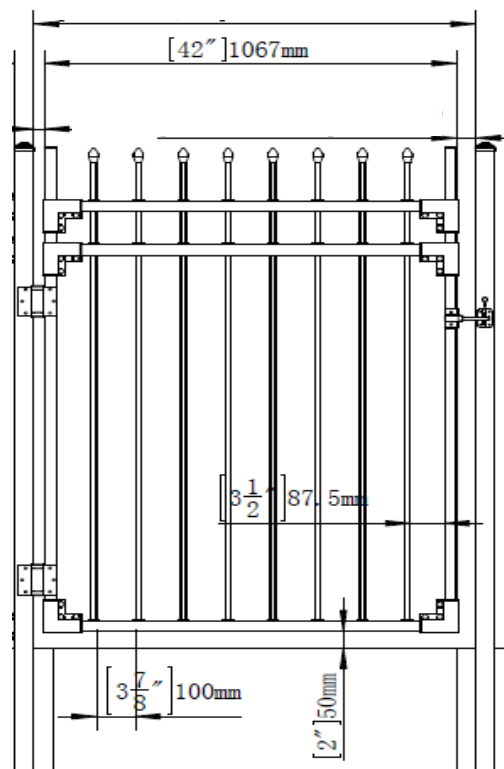
Sketch Plan and confirm materials

- Draw and sketch out your gate plan. Plan the location of corners and gates.
- Measure accurately with tape measure and identify all measurements on your drawing.
- Make sure all location of fence lines and gates are carefully planned.
- Determine total number of sections and posts needed.

Installation Tips

- Gates need to be installed on leveled ground.
- Gates and Fence panels should be installed so that the bottom of the panels are 2" above the ground level to allow for lawn maintenance/cutting.
- Once installed, the top of the post will be at the same height as the top of the tallest part of the fence/gate panel.

Please Follow Measurements Below



Package Contents

- 1 pc. Top Rail (Thru-Holes)
- 1 pc. Middle Rail (Thru-Holes)
- 1 pc. Bottom Rail (Closed-Holes)
- 8 pcs. Pickets
- 2 pcs. 6.5'H Universal Posts
- 2 pcs. Flange & 2 pcs. Flange Cover
- 6 pcs. Corner Ells
- 2 pcs. Uprights
- 1 pc. Latch
- 2 pcs. Self-Closing Hinges
- 32 pcs. Tek Screws
- 1 pc. Installation Instructions Manual

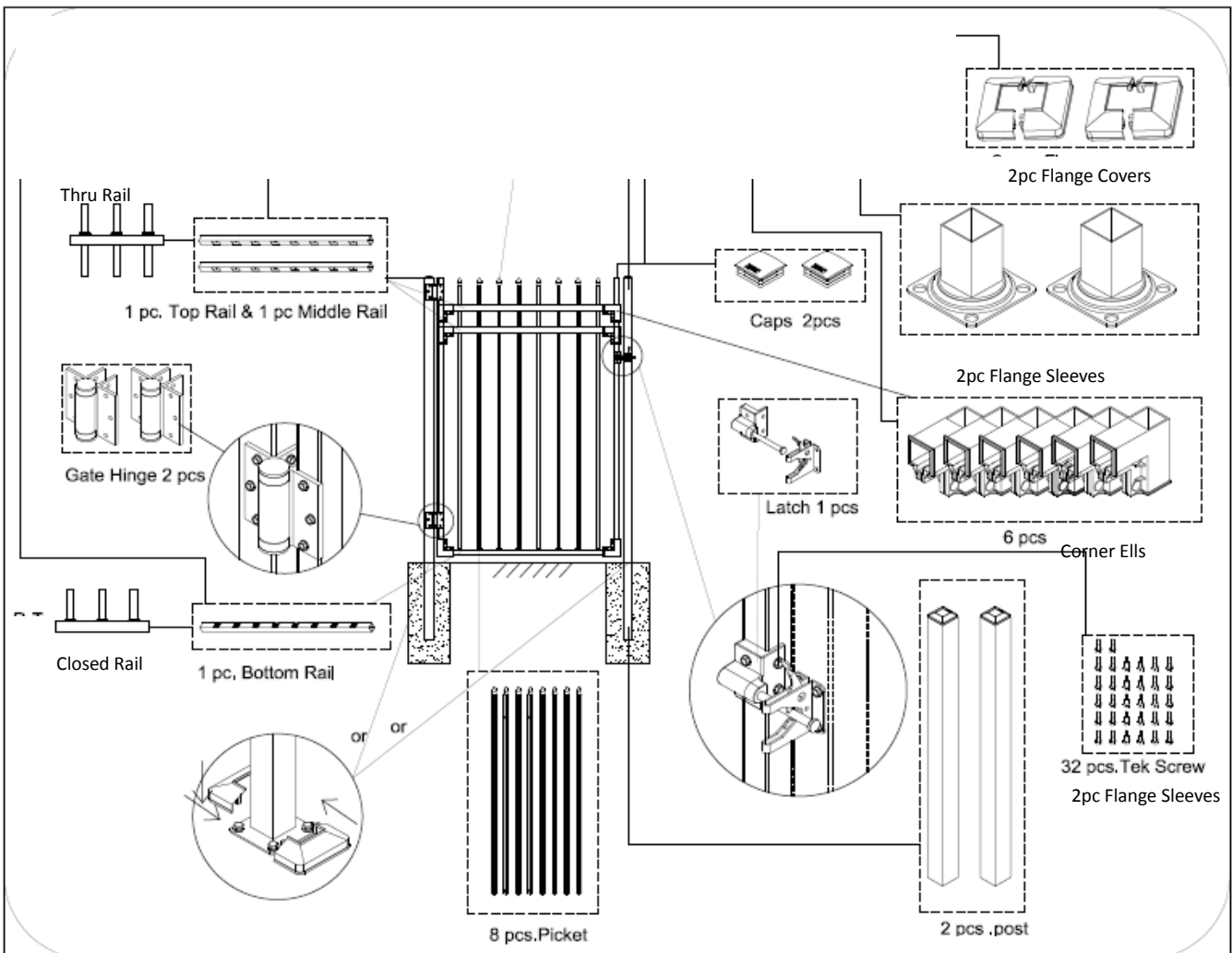
ATTENTION:

PLEASE MAKE SURE ALL CONTENTS ARE IN THE GATE KIT.

DO NOT ATTEMPT TO ASSEMBLE THE GATE IF PARTS ARE MISSING OR DAMAGED.

Please do not return the product to the store, for assistance or replacement parts call:

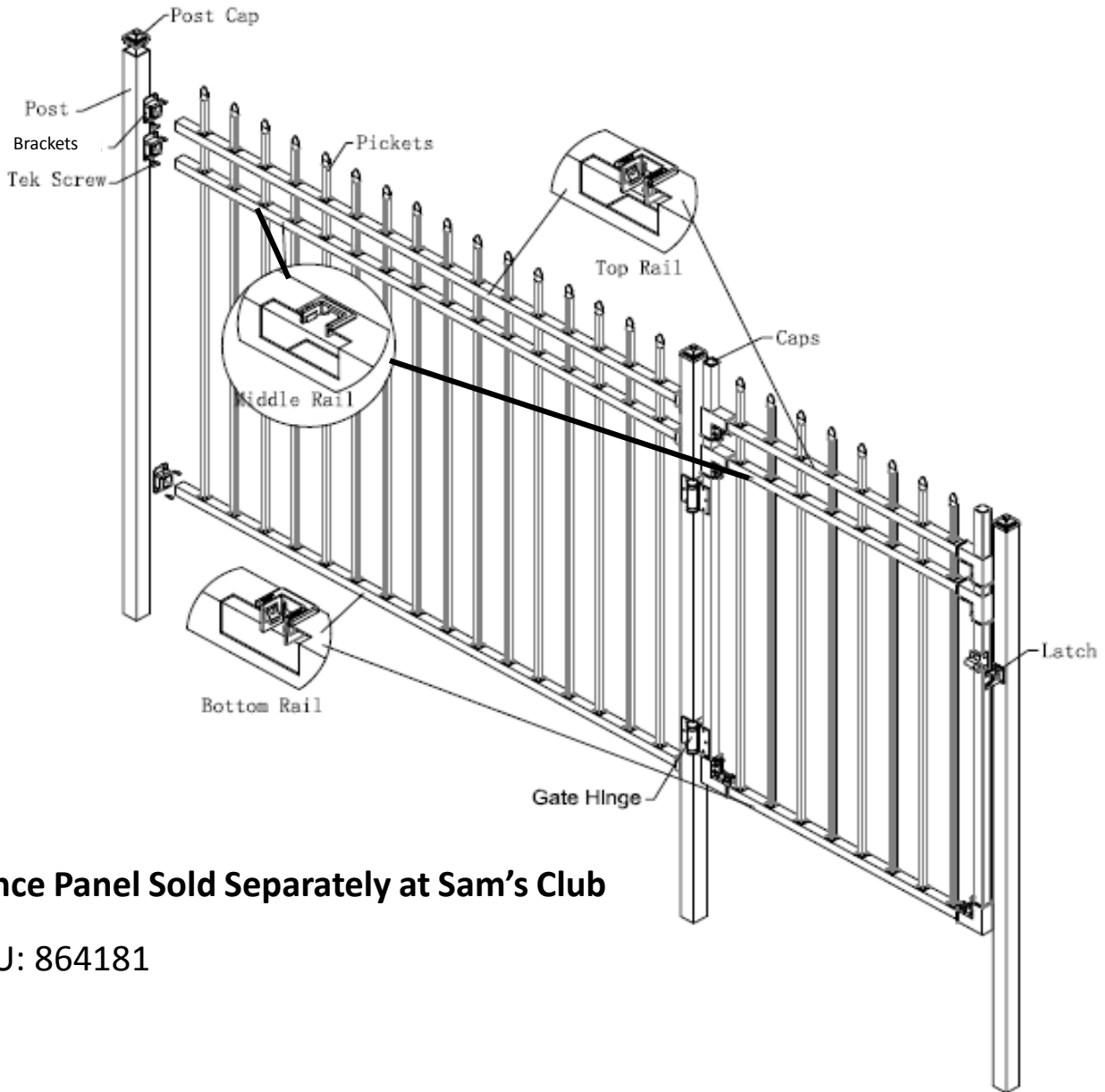
866-392-0808



Required Tools & Materials for Assembly

- Power/Hammer Drill
- Tape Measure
- String & Stakes
- Level
- 5/16" Socket (Tek Screw)
- 9/16" Socket (Anchor Bolts)
- Post Hole Digger
- Concrete Mix
- Socket & Wrench
- Hacksaw
- 7/16" Drill Bit (Anchor Bolt)

Product Overview

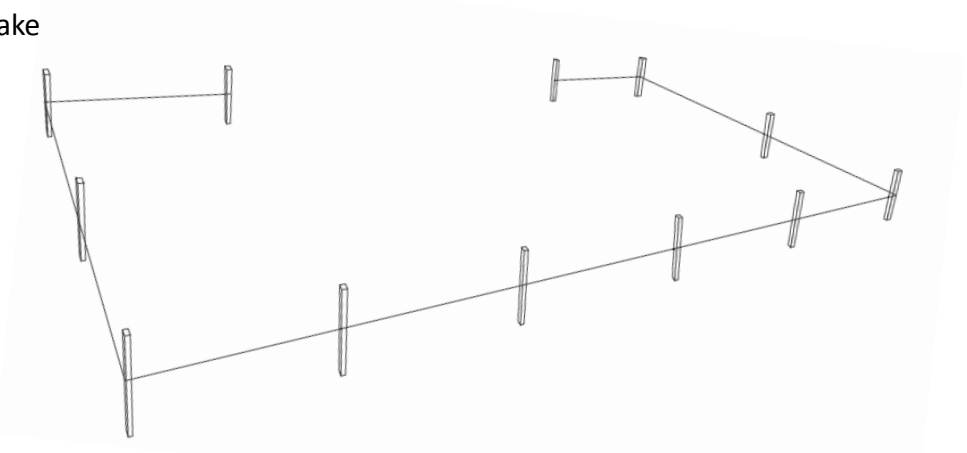


Fence Panel Sold Separately at Sam's Club

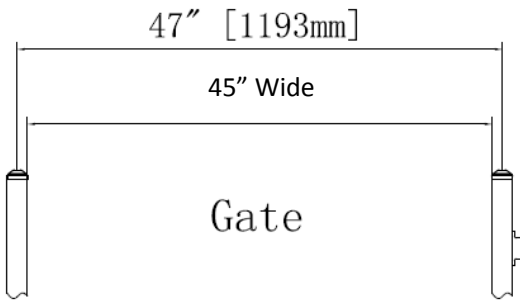
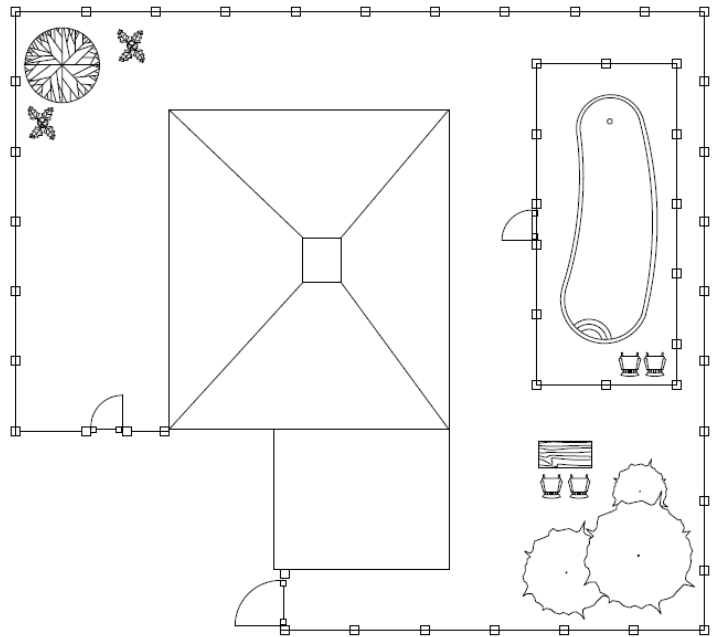
SKU: 864181

Layout Installation

- Using the image as a guide, establish your fence line by staking out the areas you wish to enclose.
 - Mark every 6.5' section to identify location of the posts
- NOTE:** If you are left with a space less than a full size panel, the rails can be cut down to fit the space by using a hacksaw.
- Attach string to each stake

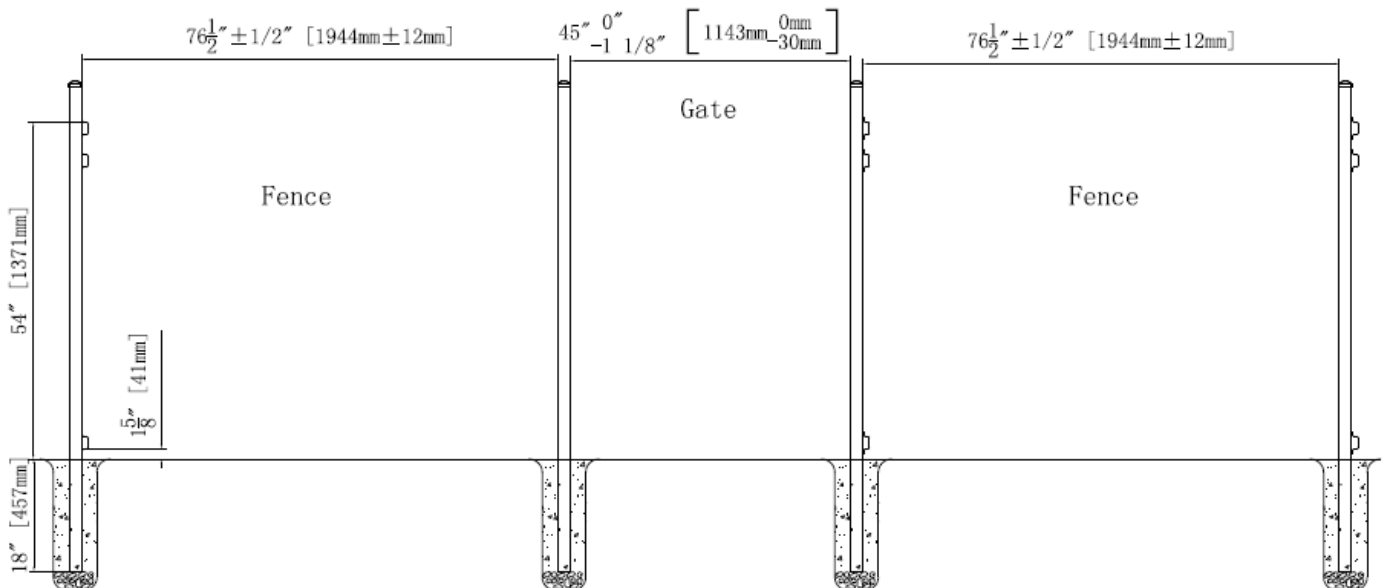


- Sketch out your fence plan to paper.
- Show the house, driveway, deck, and property lines in your diagram to estimate materials and location of your fence.
- Measure accurately with tape measure and identify those on your sketch.



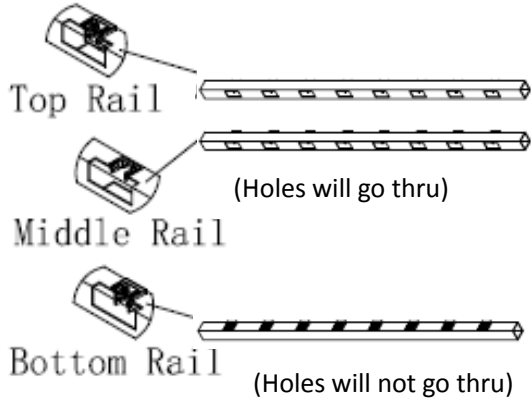
NOTE: Make sure all posts are set to have an opening of 45" wide.
 Be sure all posts are leveled.
 Prior to fence panel installation, make sure concrete is set and dry to avoid shifting of the posts.

Post Distance Reference

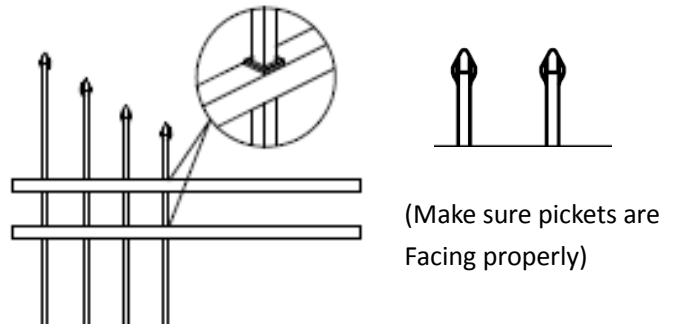


Gate Assembly

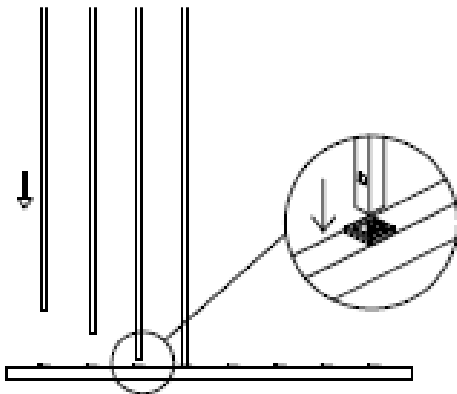
1. Locate Top, Middle, & Bottom Rails
 - A. Top & Middle Rail has holes on both sides.
 - B. Bottom Rail will **ONLY** have holes on one side.



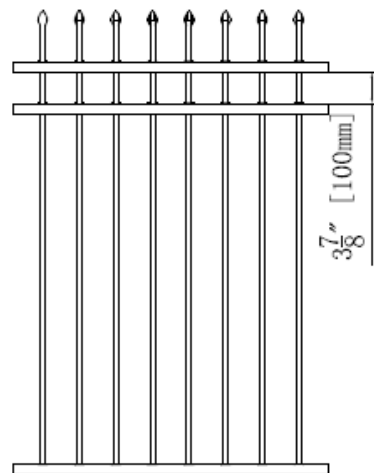
2. Begin inserting pickets thru Top & Middle Rails



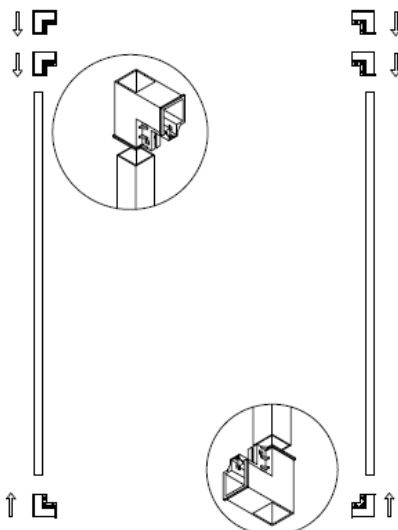
3. Continue to insert picket thru Bottom Rail.
 - a. **Bottom Rail Permanently Locks Pickets**



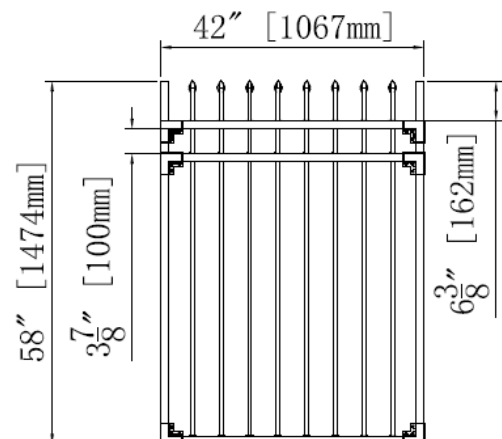
4. Adjust middle rail to be 3-7/8" below top rail



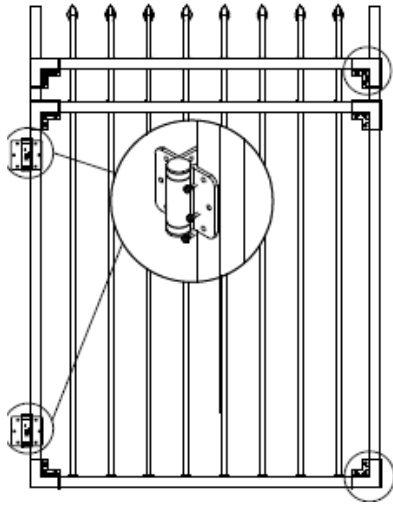
5. Insert corner ells thru uprights as shown below



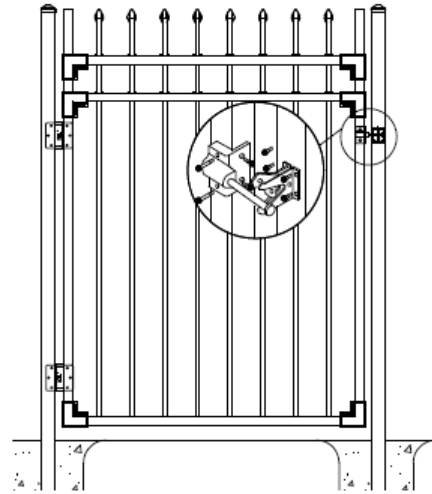
6. Attach gate panel to both upright and secure tightly.



7. Attach included hinges on one side of uprights
 - a. 2" Below middle Ell (Top Hinge)
 - b. 2" Above Bottom Ell (Bottom Hinge)

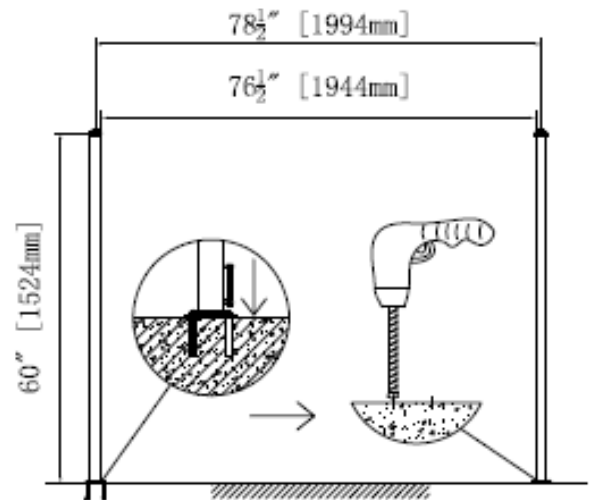


8. Repeat on opposite for the **Latch**
Gate Installation is Complete!



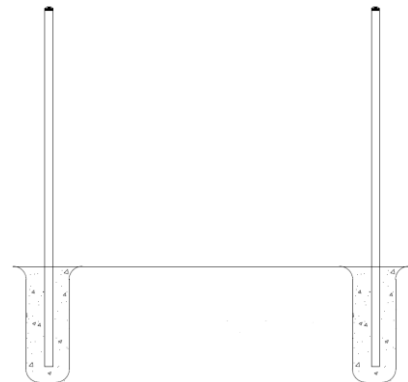
Concrete Post Installation

1. Use included Flange to drill holes on concrete floor.
 - a. Use a 7/16 Drill bit to create holes and drill 1/2" deep
 - b. Hammer in anchor bolts and unscrew bolt.
 - c. Place flange and screw bolts with 9/16 socket.
2. Slide post on to flange and secure with Tek screws
 - a. Add 1 tek screw to each side where the post and flange meet.
 - c. This will prevent post from moving around








Soil Post Installation

1. Set post
 - a. Dig hole 18" deep 6" wide
 - b. Fill with quick dry cement
 - c. Make sure to let cement fully dry before moving on.



More Accessories Available at www.Samsclub.com

Accessories Available

 <p>5'H Post with Flange for Concrete Floor Use Model No. SWP52-F</p>	 <p>Rings 15pc Pack for Fence Panel or Gate Model No. R35Q</p>	
 <p>6.5'H Post for Soil Ground Use Model No. ESR2065</p>	 <p>Drop Rod Kit for Single Swing Gate Model No. SG1812</p>	 <p>Gate Kit for converting Panels into Gates Model No. GKR326-B</p>

INSTALLATION VIDEO AVAILABLE AT: (video01.xcelfence.com)



XCEL Fence, Inc. * 910 E. Cedar St. * Ontario, CA * 91761

www.xcelfence.com * 866-392-0808

Designed & Patented in the USA

Patnt # 9,234.368 B2

MADE IN CHINA

FAQ

1. What is the correct size drill bit needed for the Anchor Bolts?
 - a. 7/16" Drill Bit.
2. What is the correct size socket needed for the included Tek Screws?
 - a. 8mm (5/16") socket.
3. How far do I dig for post to go into the ground?
 - a. 18" deep, 6" wide, recommend filling with a quick dry cement.
4. How do I mount the post to the concrete?
 - a. Drill holes with 7/16" drill bit, insert bolt and tap with a rubber mallet. Once inside concrete, unscrew bolt and place flange on top and screw bolt back on. Use a 14mm socket.
5. Can I adjust the tension on the hinges?
 - a. Yes! Unscrew the top silver screw located on the cylinder, take cap off and adjust the tension with a flat top screw driver while pushing down.
6. Can the pickets be unlocked from the bottom rail?
 - a. Yes! You would need to cut the plastic grommets with a craft knife and pry out the grommets. You would then need to purchase new grommets by calling Xcel Fence Inc.
7. How do I install the Tension Wire?
 - a. Attach the hook to the middle bolt on one corner of the Corner Ell and tighten. Attach the looped side of the tension wire to the opposite corner Ell and tighten. To make tension wire smaller, feed through the loop side and trim excess with a wire cutter.
8. Is there an assembly/installation video available?
 - a. Yes! The link to the video is [video01.xcelfence.com](https://www.xcelfence.com/video01.xcelfence.com)
9. How much space should I leave between the post and gate?
 - a. 1" on either side.
10. My post is moving around what can I do?
 - a. Screw in one tek screw on two sides of the post where the flange and post meet.
11. Where can I find an instruction manual?
 - a. You can find the instruction manual on our website [Xcelfence.com](https://www.xcelfence.com).