



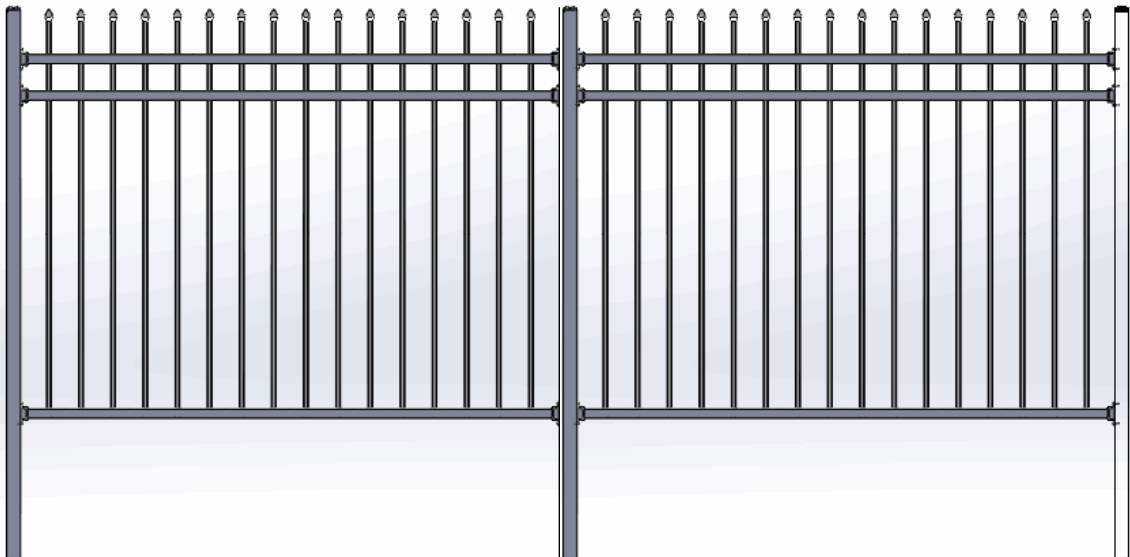
ASPEN STYLE

ORNAMENTAL FENCE INSTALLATION GUIDE

3 Rails, Pressed Top/Flat Bottom

Model No. NBR7958-NPF

INSTALLATION VIDEO AVAILABLE AT: video01.xcelfence.com



Item Description

Fence installation and assembly has never been so easy to install until now. Our non-welded component fence panel system allows you to assemble a fence panel in a matter of minutes. No welding needed, and our knocked down packaging allows you to install a fence panel at the job site with ease. Built from strong wrought iron, pre-galvanized inside and out, double-powder coated, black.

Features

- 3 Rails, Pressed Top/Flat Bottom - Aspen Style Panel
- Package Size: 78-7/8"L x 5-3/4"W x 3-7/8"H
- Fence Panel Size: 60"H x 76"W
- Easy Patented Design allows for DIY Assembly with Ease
- No Welding or Painting Required (Snap together Concept/Powder Coated Black)
- On-site assembly
- Zero Maintenance
- Easily Transported/Compact Box
- Fence in a "Box"

Please read these instructions carefully before installing your XCEL Fence. If you have any questions or issues installing the fence, please contact us at 866-392-0808 for assistance.

Before You Begin ...

[Watch Installation Video video01.xcelfence.com](http://video01.xcelfence.com)

Check your local zoning laws.

- Local zoning laws and HOA may regulate the location, type and height of your fence.
- If needed, contact local utility companies for assistance in clearing electrical, gas or water lines to avoid hitting any unseen underground utilities.

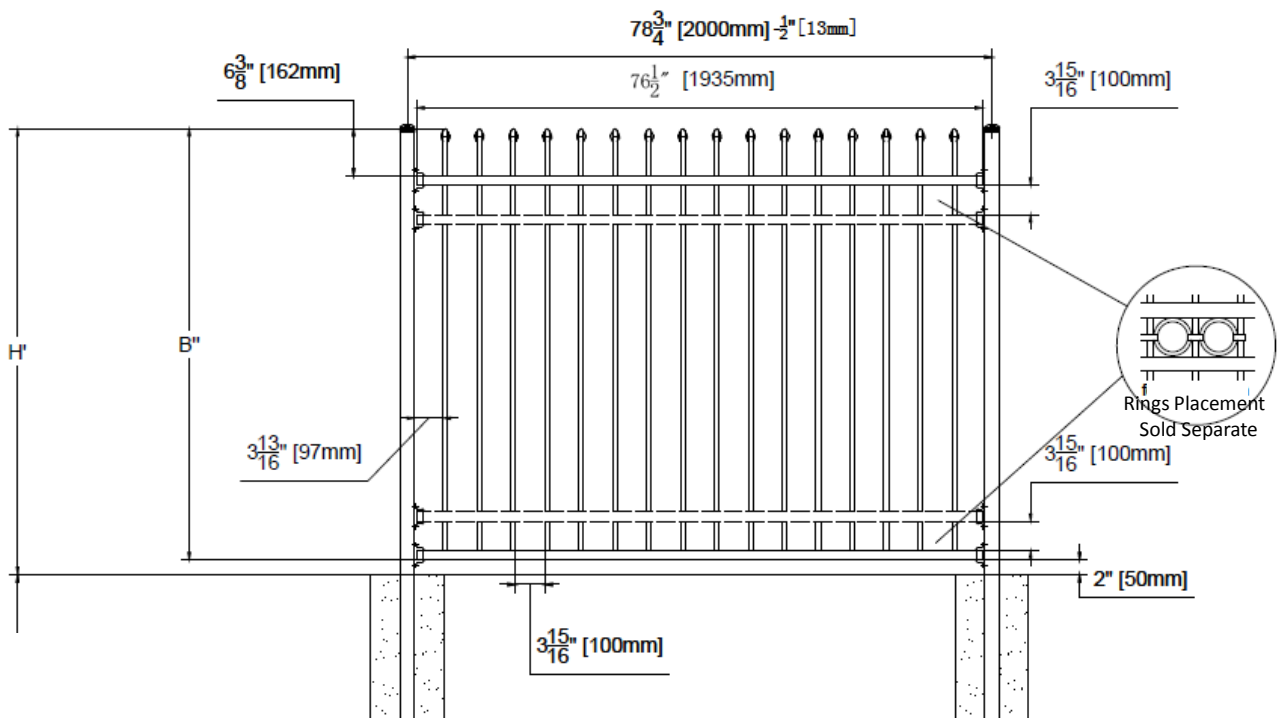
Sketch Plan and confirm materials

- Draw and sketch out your fence plan. Plan the location of corners and gates.
- Measure accurately with tape measure and identify all measurements on your drawing.
- Make sure all location of fence lines and gates are carefully planned.
- Determine total number of sections and posts needed.

Installation Tips

- Fence panels should be installed so that the bottom of the fence is 2" above the ground level to allow for lawn maintenance/cutting.
- Once installed, the top of the post will be at the same height as the top of the tallest part of the fence panel.

Please Follow Measurements Below



Package Contents

- 1 pc. 6.5' Post (Soil Use) or Cut to 5' for Concrete Use
- 1 pc. Top Rail (Thru-Holes)
- 1 pc. Middle Rail (Thru-Holes)
- 1 pc. Bottom Rail (Closed-Holes)
- 16 pcs. Pickets
- 6 pcs. Flat Mount Brackets
- 18 pcs. Tek Screws (Use 8mm Socket)
- 4 pcs. Anchor Bolts (Use 7/16" Drill Bit)
- 1 pc. Flange & Flange Cover (Concrete Use)
- 1 pc. Installation Instructions Manual

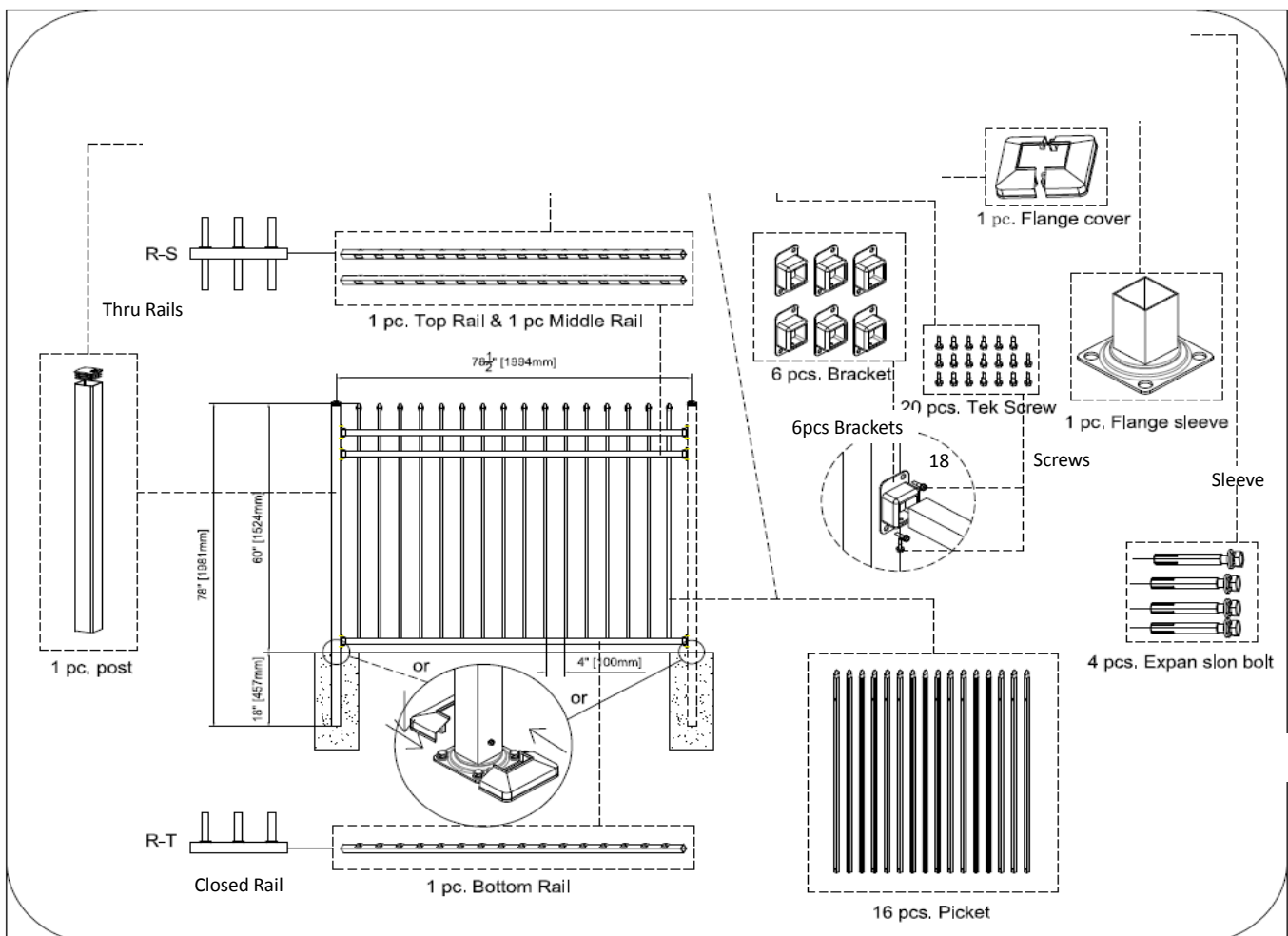
ATTENTION:

PLEASE MAKE SURE ALL CONTENTS ARE IN THE FENCE KIT.

DO NOT ATTEMPT TO ASSEMBLE THE FENCE IF PARTS ARE MISSING OR DAMAGED.

Please do not return the product to the store, for assistance or replacement parts call:

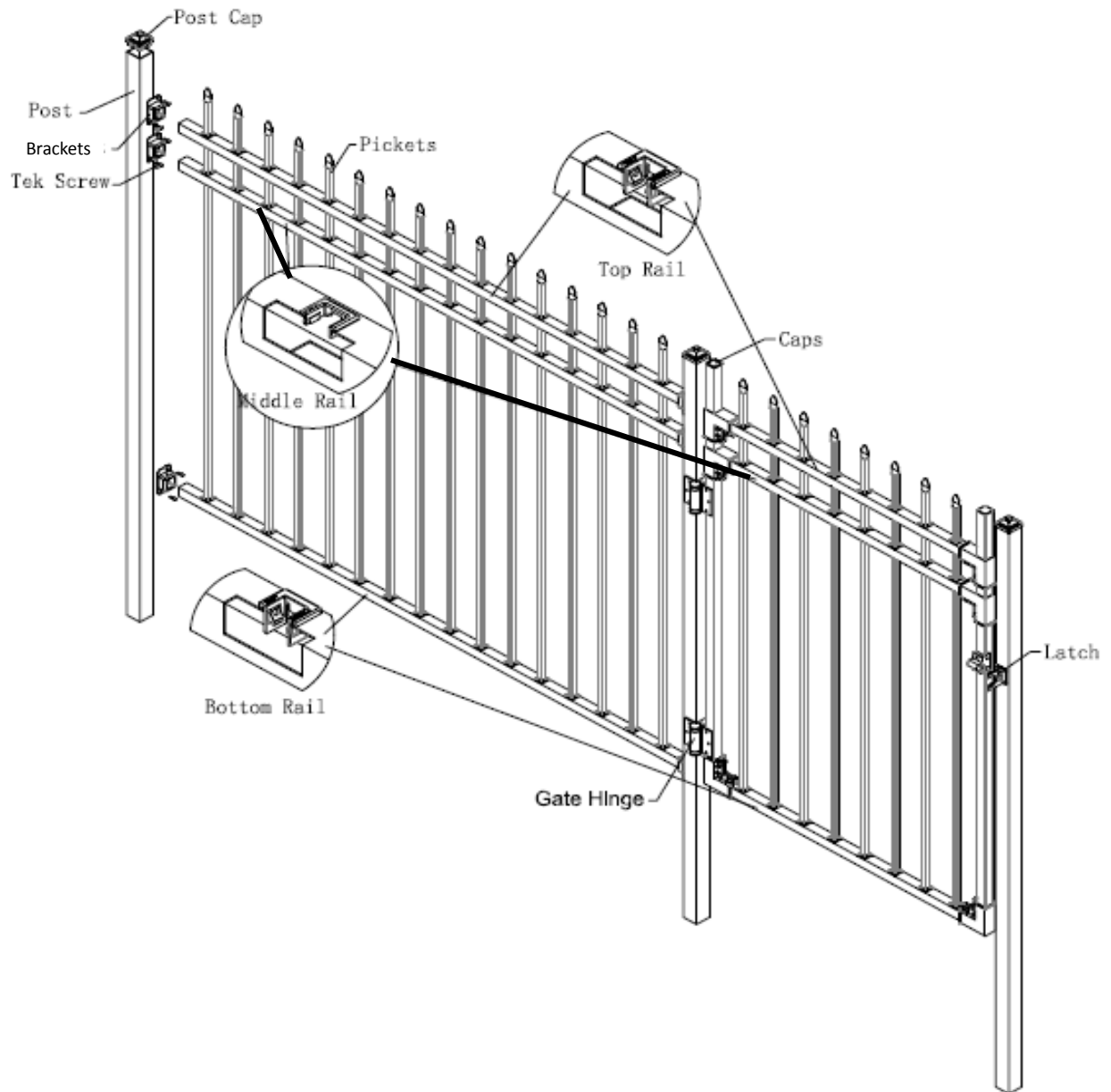
866-392-0808



Required Tools & Materials for Assembly

- Power/Hammer Drill
- Tape Measure
- String & Stakes
- Level
- 5/16" Socket (Tek Screw)
- 9/16" Socket (Anchor Bolts)
- Post Hole Digger
- Concrete Mix
- Socket & Wrench
- Hacksaw
- 7/16" Drill Bit (Anchor Bolt)

Product Overview



Gate Sold Separately at Sam's Club

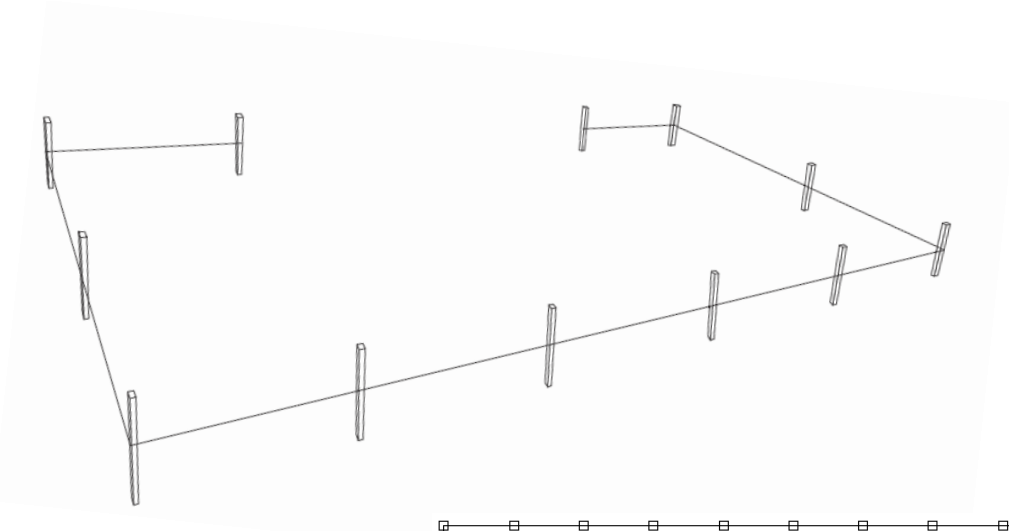
SKU# 864306

Layout Installation

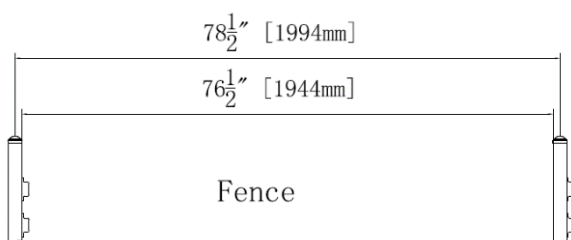
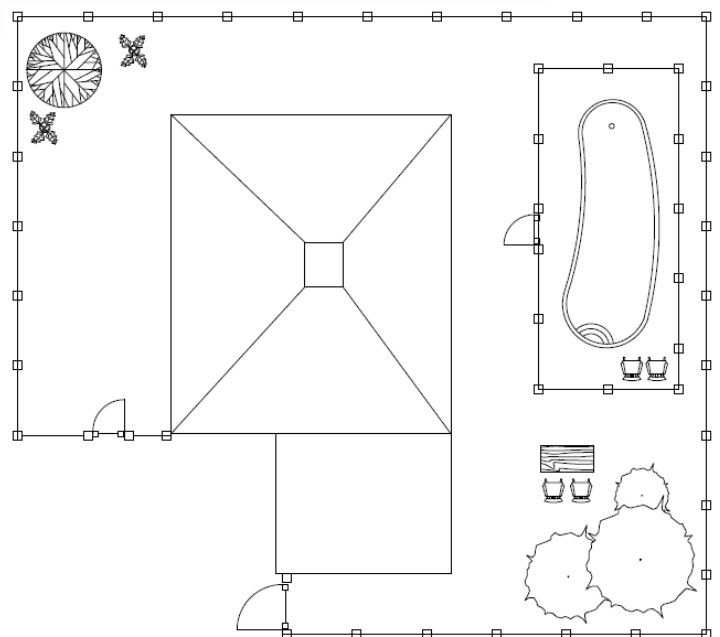
- Using the image as a guide, establish your fence line by staking out the areas you wish to enclose.
- Mark every 6.5' section to identify location of the posts.

NOTE: If you are left with a space less than a full size panel, the rails can be cut down to fit the space by using a hacksaw.

- Attach string to each stake



- Sketch out your fence plan to paper.
- Show the house, driveway, deck, and property lines in your diagram to estimate materials and location of your fence.
- Measure accurately with tape measure and identify those on your sketch.



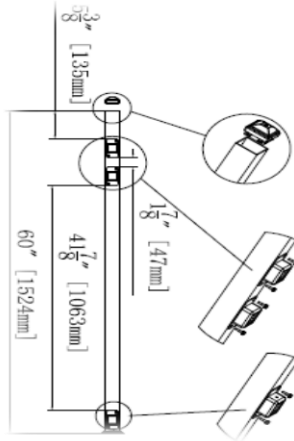
NOTE: Make sure all posts are set to have an opening of 76-1/2" wide.

Be sure all posts are leveled.

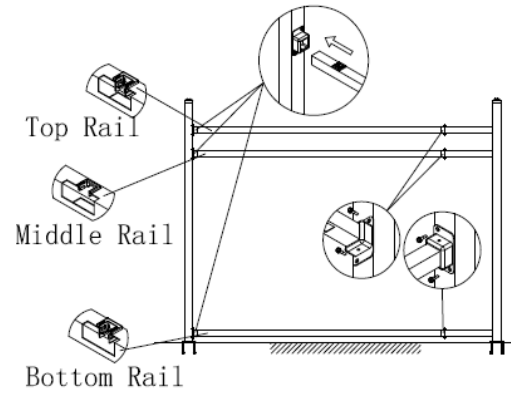
Prior to fence panel installation, make sure concrete is set and dry to avoid shifting of the posts.

Installation Instructions (At Job Site)

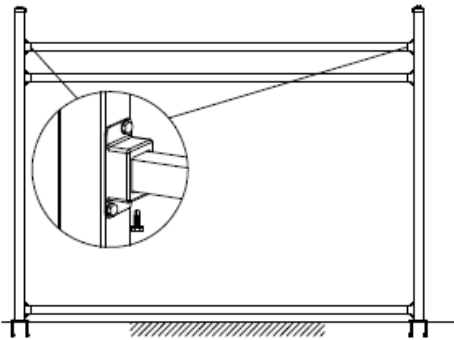
1. Attach brackets to **ONE** side.
 - a. Measure 5-3/8" from top of post and attach bracket
 - b. Measure 1-7/8" from first bracket to the second.
 - c. Measure 41-7/8" from second bracket to third.



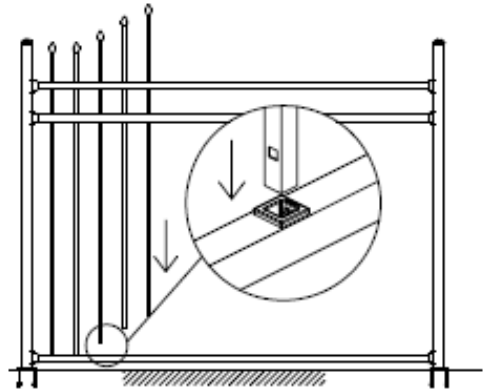
2. Insert top rail into the brackets
 - a. Top & Middle rail has holes on both sides.
 - b. Bottom Rail **ONLY** has holes on one side.



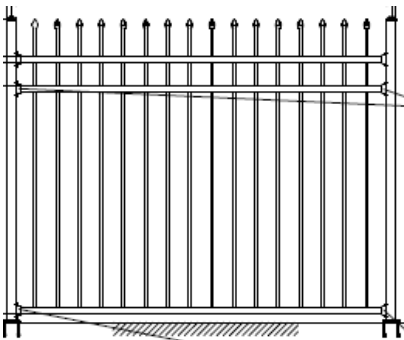
3. Secure brackets with tek screws
 - a. Use a 5/16" socket to tighten



4. Insert pickets through rails
 - a. Make sure ALL rails are placed
 - b. Start from Top rail, middle and bottom rail
 - c. **Bottom rail will permanently lock in place.**

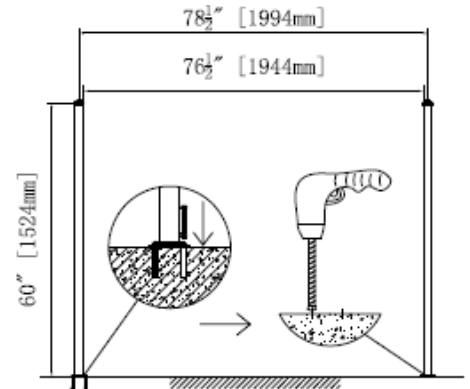


5. Installation is now complete



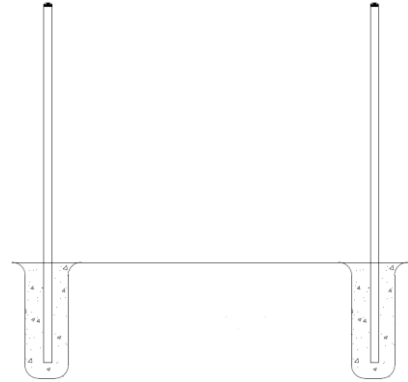
Concrete Floor Installation Instructions (At Job Site)

1. Use included Flange to drill holes on concrete floor.
 - a. Use a 7/16" drill bit to create holes and drill 1/2" deep
 - b. Hammer in anchor bolts and unscrew bolt to leave casing inside
 - c. Place flange and screw bolt back in with a 9/16" socket.
2. Slide post on to flange and secure with Tek screws
 - a. Add 1 tek screw to each side where the post and flange meet.
 - b. This will prevent post from moving around
3. Continue to follow steps 1-4 on page 6
4. Installation is now complete

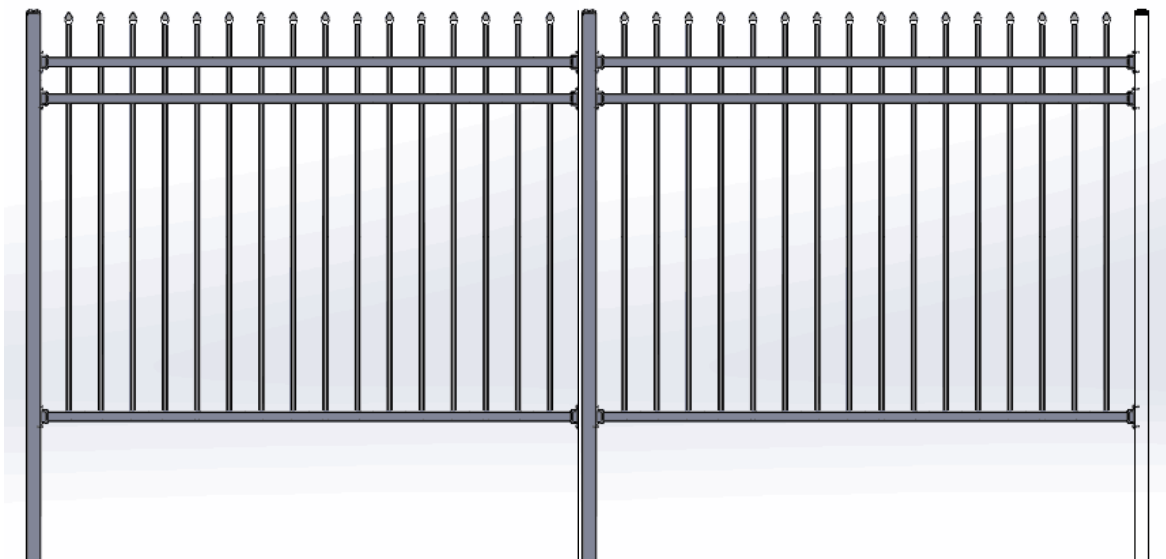


Soil Installation Instructions (At Job Site)

1. Set post
 - a. Dig hole 18" deep 6" wide
 - b. Fill with quick dry cement
 - c. Make sure to let cement fully dry before moving on.
2. Continue to follow steps 1-4 on page 6


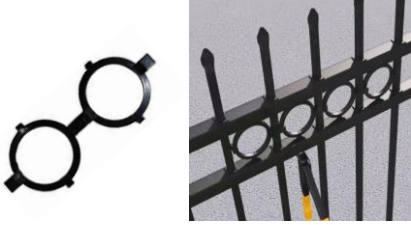





Installation is now complete!



More Accessories Available at www.Samsclub.com

Accessories Available

 <p>5'H Post with Flange for Concrete Floor Use Model No. SWP52-F</p>		<p>Rings 15pc Pack for Fence Panel or Gate Model No. R35Q</p>
 <p>6.5'H Post for Soil Ground Use Model No. ESR2065</p>	 <p>Drop Rod Kit for Single Swing Gate Model No. SG1812</p>	 <p>Gate Kit for converting Panels into Gates Model No. GKR326-B</p>

INSTALLATION VIDEO AVAILABLE AT: video01.xcelfence.com



XCEL Fence, Inc. * 910 E. Cedar St. * Ontario, CA * 91761

www.xcelfence.com * 866-392-0808

Designed & Patented in the USA

Patnt # 9,234.368 B2

MADE IN CHINA



FAQ

1. What is the correct size drill bit needed for the Anchor Bolts?
 - a. 7/16" Drill Bit.
2. What is the correct size socket needed for the included Tek Screws?
 - a. 8mm (5/16") socket.
3. How far do I dig for post to go into the ground?
 - a. 18" deep, 6" wide, recommend filling with a quick dry cement.
4. How do I mount the post to the concrete?
 - a. Drill holes with 7/16" drill bit, insert bolt and tap with a rubber mallet. Once inside concrete, unscrew bolt and place flange on top and screw bolt back on. Use a 14mm socket.
5. Can the pickets be unlocked from the bottom rail?
 - a. Yes! You would need to cut the plastic grommets with a craft knife and pry out the grommets. You would then need to purchase new grommets by calling Xcel Fence Inc.
6. Is there an assembly/installation video available?
 - a. Yes! The link to the video is [video01.xcelfence.com](https://www.xcelfence.com/video01)
7. Can I cut a fence panel in width? If yes, how?
 - a. Yes you can. First line up the 3 rails and measure the space you want to cover. Cut between square holes on rails with a circular chop saw ensuring you leave enough space to insert into the brackets to attach to the post.
8. My post is moving around what can I do?
 - a. Screw in one tek screw on two sides of the post where the flange and post meet.
9. Where can I find an instruction manual?
 - a. You can find the instruction manual on our website [Xcelfence.com](https://www.xcelfence.com).