



Member's Mark™

Assembly Instructions & User's Manual

For

Member's Mark Fiji 2pk chair

Item Number: xxxxxxxx

Model Number: GC-11559A-2PK

Customer Assistance (spare/replacement parts): 1-800-691-2824
or Email: customerservice@coronadocasuals.com



THIS ASSEMBLY MANUAL CONTAINS IMPORTANT SAFETY INFORMATION.
PLEASE READ AND KEEP FOR FUTURE REFERENCE.

Table of Contents

Quality Statement.....	3
Important Safety Information	3
Before Assembly	3
Care & Use	3
Swivel Rocker Chair	
Package Contents	4
Product Information.....	4
Components	5
Hardware	5
Tools.....	5
Step 1	6
Step 2.....	7
Side Table	
Package Contents	8
Components	9
Hardware	9
Tools.....	9
Step 1	10
Step 2.....	11
Warranty Information	12

Quality Statement

Questions or Comments?

We would love to hear about your Member's Mark experience! Visit us at: samsclub.com/membersmarkhelp



Important Safety Information

- *Please read all instructions carefully before assembling this product.*
- *Where applicable, and for your safety, assembly by an adult is strongly recommended.*
- *Use only vendor-supplied hardware to assemble this item. Using unauthorized hardware could jeopardize the structural integrity of the item.*
- *Hardware may loosen overtime. Periodically check that all connections are tight.*

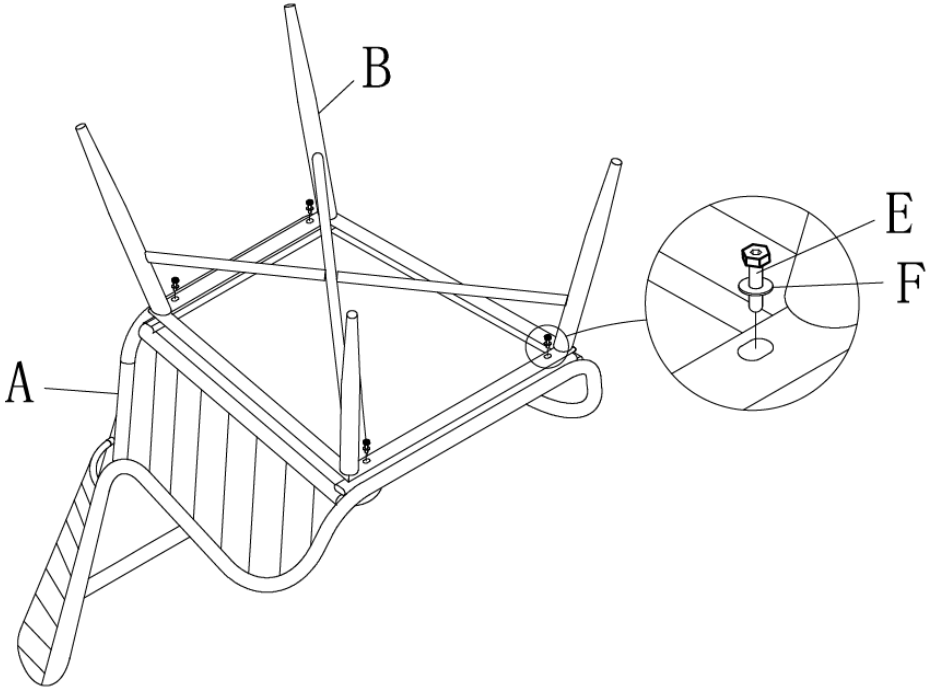
Before Assembly

- *Remove all parts and hardware from the box. Place all items on a carpeted or scratch-free work surface, as this will avoid damaging parts during assembly.*
- *The shipping box can provide an ideal work surface if none is available.*
- *Use the components and hardware lists below to identify, inventory and separate each of the hardware and components included.*
- *To avoid accidentally discarding small components or hardware, do not dispose of any packaging or contents of the shipping carton until assembly is complete.*
- **DO NOT USE** *power tools unless it is explicitly identified in this manual as required for use during assembly. Power tools can damage the fasteners, hardware and/or components.*
- *Do not fully tighten all fasteners / screws until all parts are in place. Failure to follow these instructions may cause the fasteners / screws to misalign during assembly.*

Care & Use

- *Use a soft, clean cloth that will not scratch the surface when cleaning.*

Package Contents



Component	Description	Quantity	Component	Description	Quantity
A	Chair frame	1	E	Allen/Hex Head Bolt M6x30mm	4
B	Chair base	1	F	M6 Washer	4

Product Information

Product Dimensions:


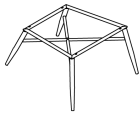
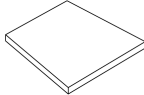
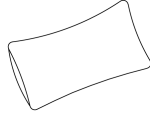
Chair: 27.75" x 30" x 38.75" (70.5cm x 76.2cm x 98.43cm)

Product Weight Capacity



Chair: Supports up to 300 lbs. (136 kg)

Need Assistance? Visit us at: [samsclub.com/membersmarkhelp](https://www.samsclub.com/membersmarkhelp)

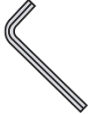
Components

<p>(A) Chair frame Qty: 1pc</p>	<p>(B) Chair base Qty: 1pc</p>	<p>(C) Seat cushion Qty: 1pc</p>	<p>(D) Lumbar Qty: 1pc</p>
			

Hardware


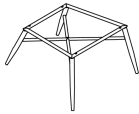
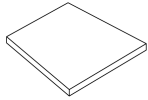
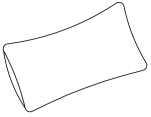


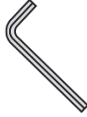
<p>(E) Allen/Hex Head Bolt M6x30mm Qty: 4pcs</p> 	<p>(F) M6 Washer Qty: 4pcs</p> 
--	--

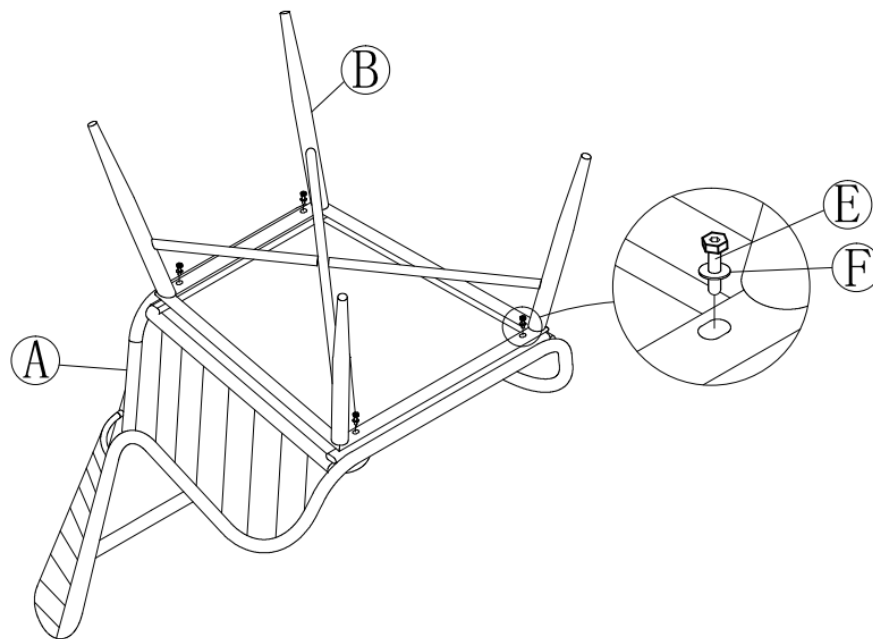
Tools

<p>(J) M6 Allen Wrench Qty: 1pc</p>


Need Assistance? Visit us at: samsclub.com/membersmarkhelp

Step 1

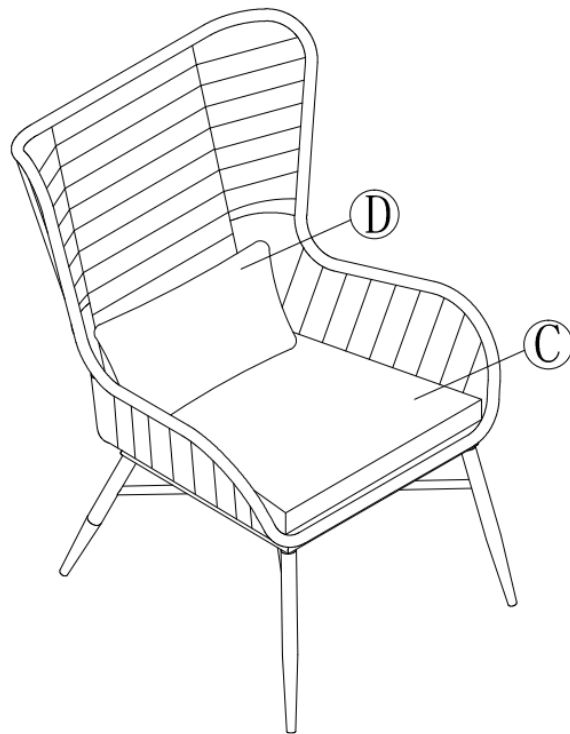
<p>(A) Chair frame Qty: 1pc</p> 	<p>(B) Chair base Qty: 1pc</p> 	<p>(C) Seat cushion Qty: 1pc</p> 	<p>(D) Lumbar Qty: 1pc</p> 
<p>(E) Allen/Hex Head Bolt M6x30mm Qty: 4pcs</p> 	<p>(F) M6 Washer Qty: 4pcs</p> 	<p>(J) M6 Allen Wrench Qty: 1pc</p> 	



Carefully place chair frame(A) upside down a soft, flat and non-abrasive surface.
Attach the base (B) to chair frame (A) with M6 bolts(E) and M6 Washer(F) by using M6 Allen Wrench(J).
Tighten all the M6 bolts (E) with M6 Allen Wrench(J).

Need Assistance? Visit us at: [samsclub.com/membersmarkhelp](https://www.samsclub.com/membersmarkhelp)

Step 2



Carefully turn the chair over.
Place the seat cushions (C) and Lumbar (D) on the chair.
The chair is ready for your enjoyment.
If the chair is uneven, you can adjust the feet to make it even.

Need Assistance? Visit us at: [samsclub.com/membersmarkhelp](https://www.samsclub.com/membersmarkhelp)

Warranty Information

This product component has a 5 year guarantee against defects in material and/or workmanship. If you have any questions regarding the warranty or spare / replacement parts, please call our toll-free number 1-800-691-2824 or email us at customerservice@coronadocasuals.com

NOTE: Please consider recycling all applicable packaging material.

Distributed by Sam's West Inc.
2101 SE Simple Savings Dr.
Bentonville, Arkansas 72716-0745

Made in China



Need Assistance? Visit us at: [samsclub.com/membersmarkhelp](https://www.samsclub.com/membersmarkhelp)