



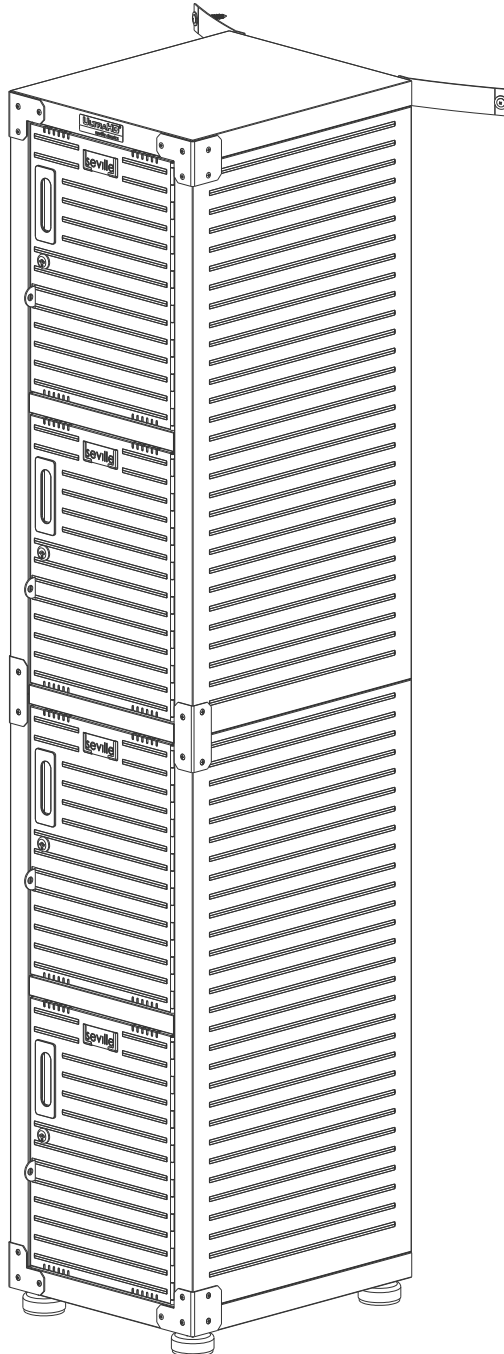
ASSEMBLY INSTRUCTIONS

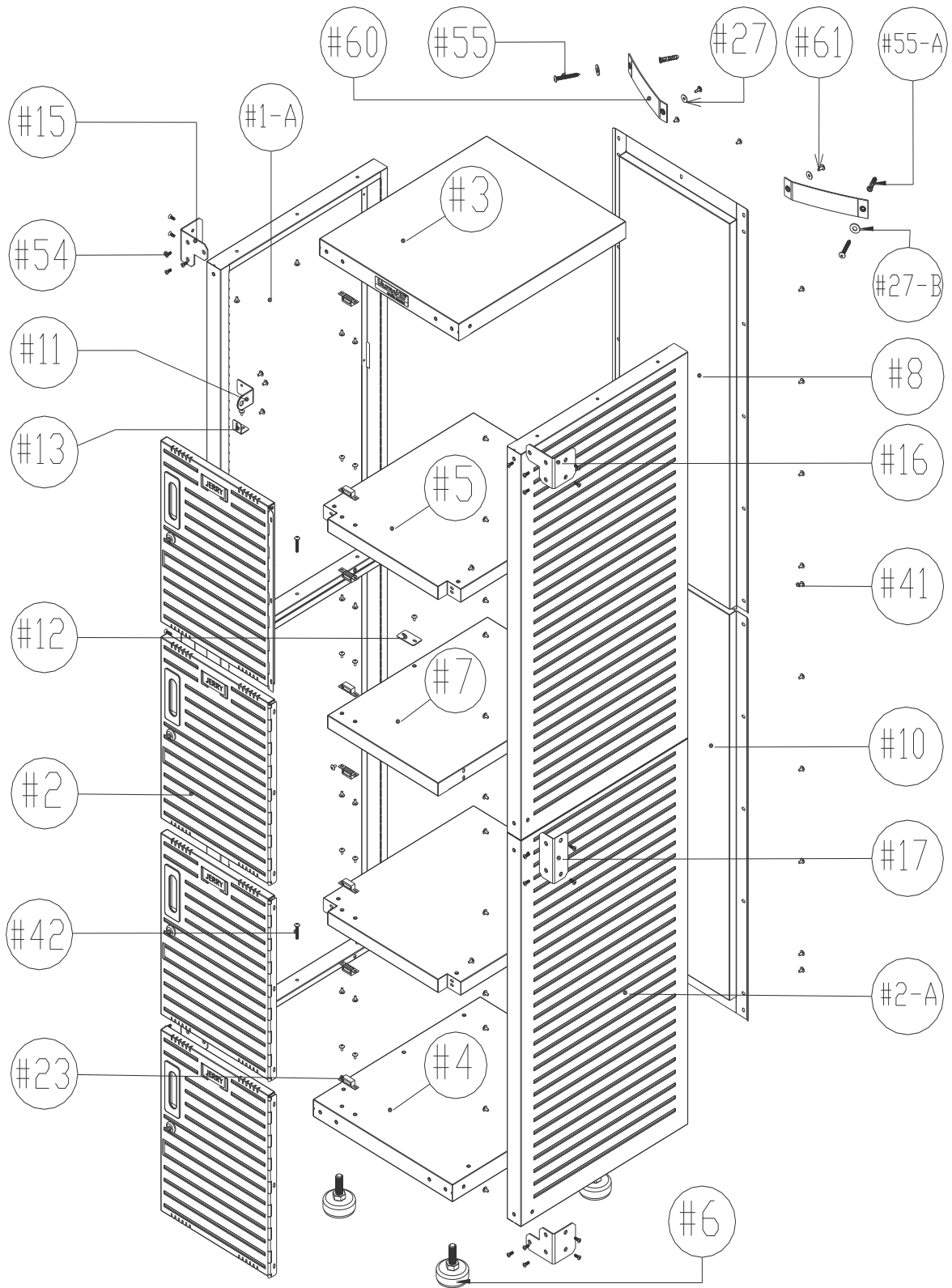
UltraHD 4-Door Locker Cabinet (Model No. 20294)

15 in. W X 18 in. D X 72 in. H
(38.1 cm x 45.7 cm x 1.83 m)

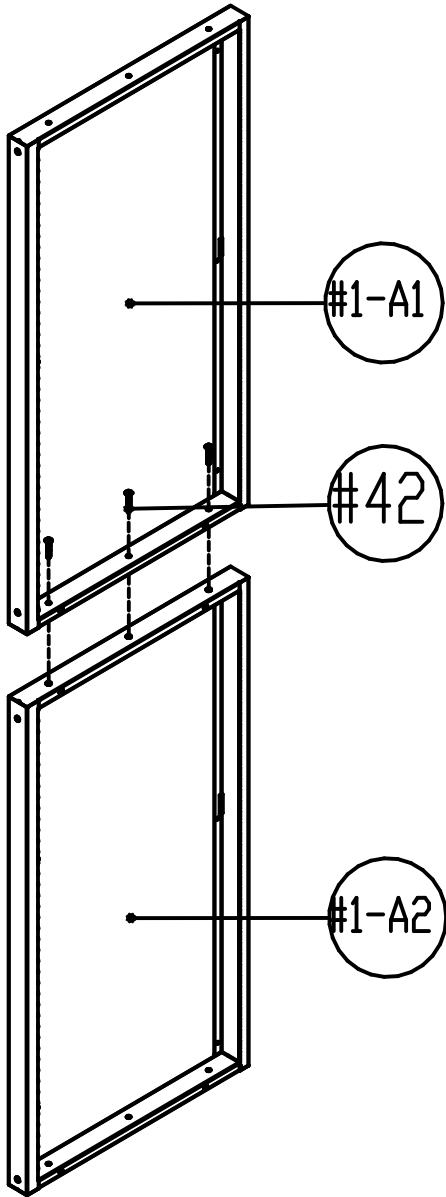
ULTRAGUARD®
FINGERPRINT RESISTANT SURFACES
AND INCREASED DURABILITY

Reference page 11 for special care
and maintenance of stainless steel

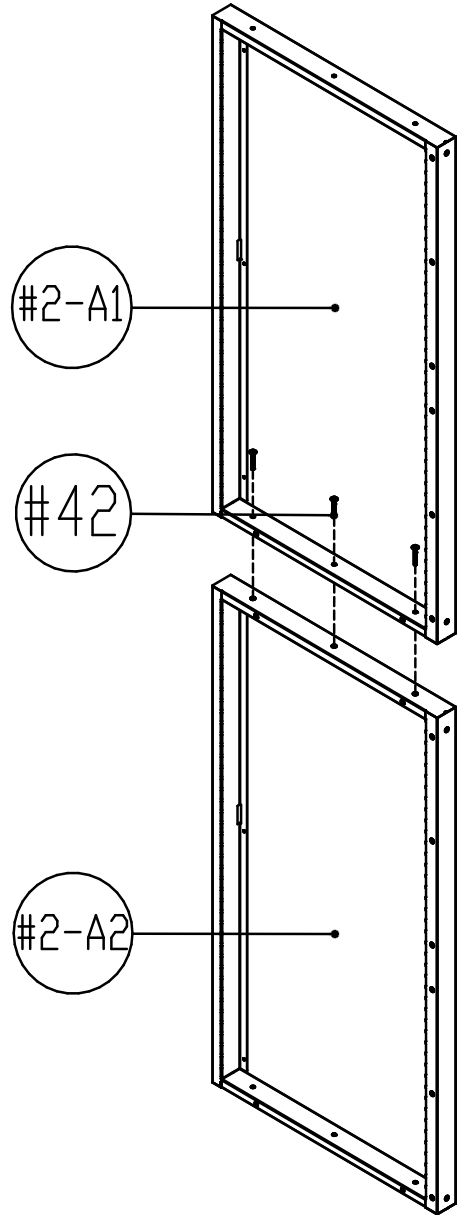




(#1-A) Left Panel

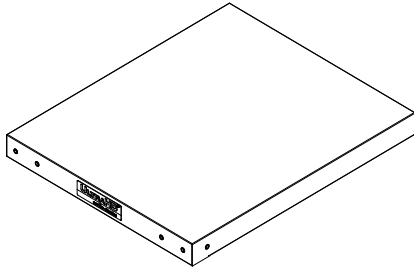


(#2-A) Right Panel

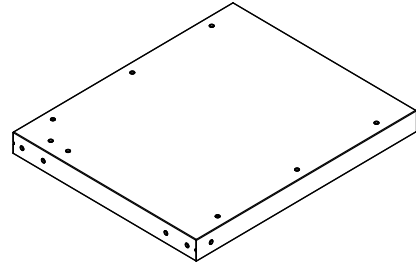


PARTS LIST (pg 3 of 12)

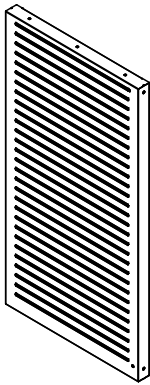
Please check the parts carefully according to the parts list. If you are missing any parts, please contact our customer service department. (please refer to page 12 of 12) .



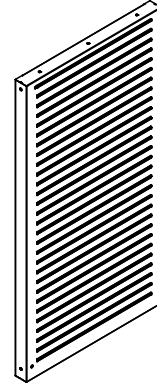
(#3) Top Panel x 1 PC



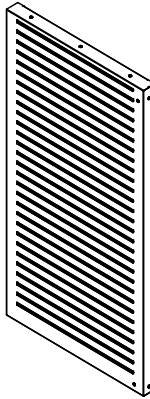
(#4) Bottom Panel x 1 PC



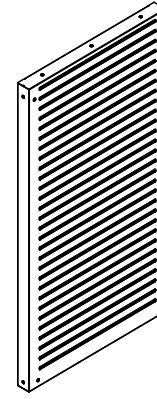
(#1-A1) Left Side - Upper Panel x 1 PC



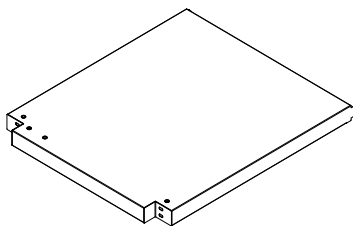
(#2-A1) Right Side - Upper Panel x 1 PC



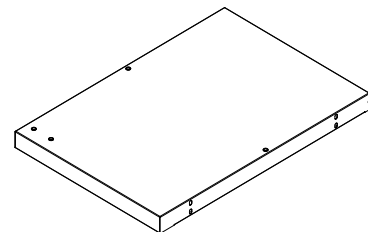
(#1-A2) Left Side - Bottom Panel x 1 PC



(#2-A2) Right Side - Bottom Panel x 1 PC



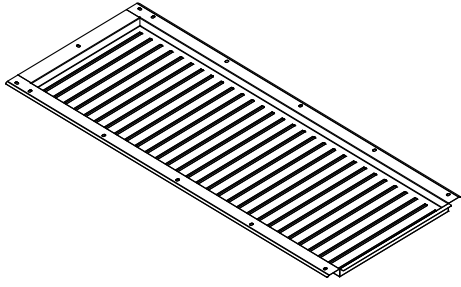
(#5) Middle Shelf x 2 PCS



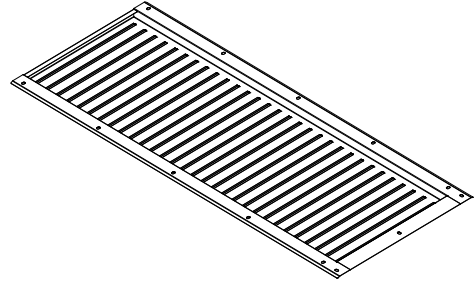
(#7) Middle Layer Panel x 1 PC

PARTS LIST (pg 4 of 12)

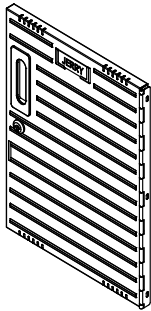
Please check the parts carefully according to the parts list. If you are missing any parts, please contact our customer service department. (please refer to page 12 of 12) .



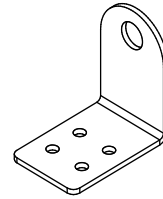
(#8) Upper Back Panel x 1 PC



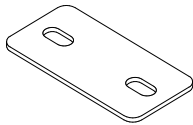
(#10) Bottom Back Panel x 1 PC



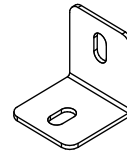
(#2) Door Panel x 4 PCS



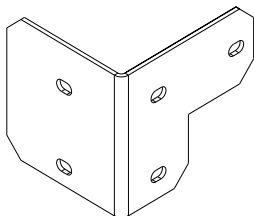
(#11) Lock Plate x 4 PCS



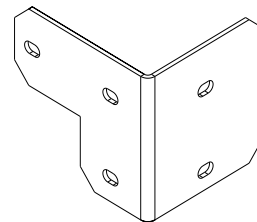
(#12) Middle Panel Bracket x 2 PCS



(#13) Middle Shelf Bracket x 4 PCS



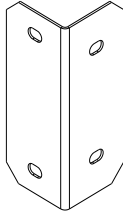
(#15) Corner Protection - A x 2 PCS



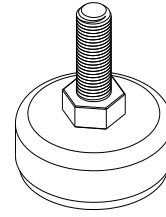
(#16) Corner Protection - B x 2 PCS

PARTS LIST (pg 5 of 12)

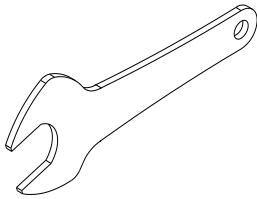
Please check the parts carefully according to the parts list. If you are missing any parts, please contact our customer service department. (please refer to page 12 of 12) .



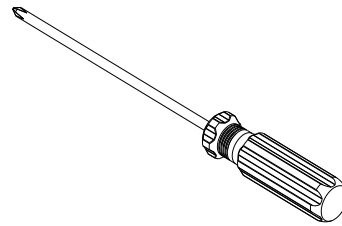
(#17) Middle Corner Protection x 2 PCS



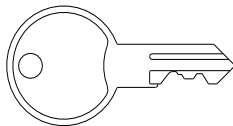
(#6) Leveling Feet x 4 PCS



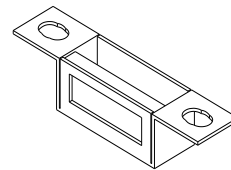
(#25) Wrench x 1 PC



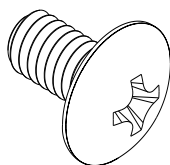
(#21) Screw Driver x 1 PC



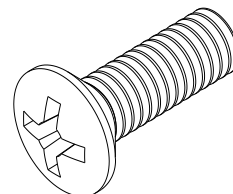
(#22) Key x 8 PCS



(#23) Magnet x 8 PCS



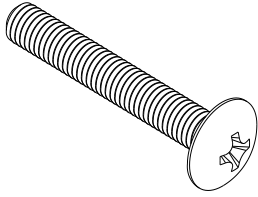
(#41) Screw F (M4 x 8L) x 91 PCS



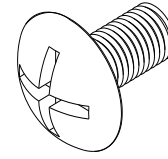
(#54) Screw N (M4 x 10L) x 28 PCS

PARTS LIST (pg 6 of 12)

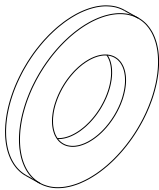
Please check the parts carefully according to the parts list. If you are missing any parts, please contact our customer service department. (please refer to page 12 of 12) .



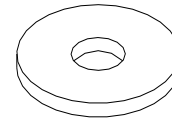
(#42) Screw G (M4 x 30L) x 12 PCS



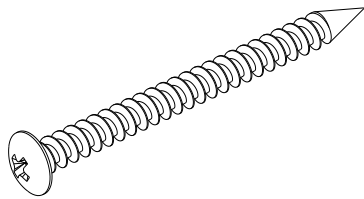
(#61) Screw O (M4 x 12L) x 2 PCS



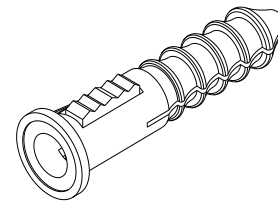
(#27-B) WASHER (M8)x 2 PCS



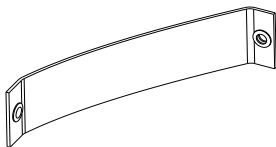
(#27) WASHER (M4) x 2 PCS



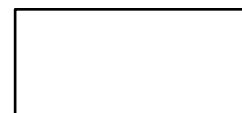
(#55) Screw M (M6 x 50L) x 2 PCS



(#55-A) Wall Anchor x 2 PCS



(#60) Mounting Strap x 2 PCS



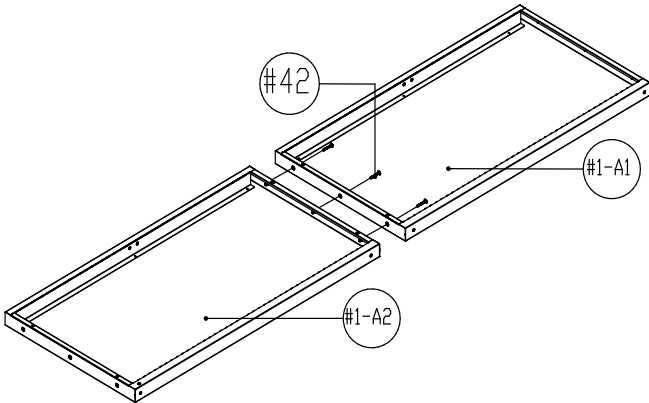
(#62) Name Card x 4 PCS

ASSEMBLY INSTRUCTIONS (pg 7 of 12)

UltraHD 4-Door Locker Cabinet (Model No. 20294)

TIP: A magnetic screwdriver is included for your convenience. If a power screwdriver is used, keep on a low torque setting.

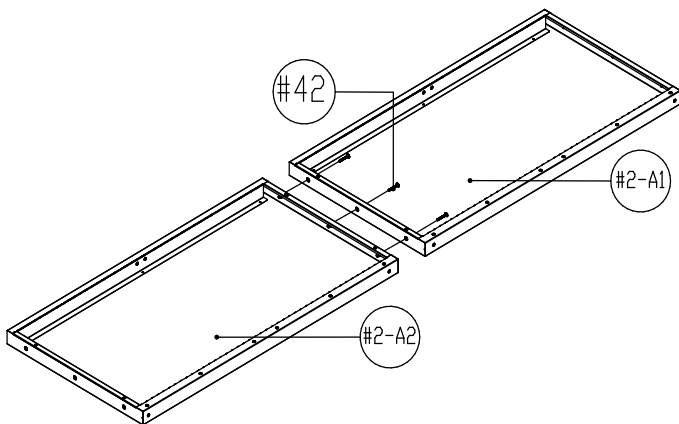
WARNING: Some parts may have sharp edges. To avoid injury, wearing gloves is recommended during assembly.



Step 1: Install Left Side Panel (#1-A)

Place the Left Side Upper Panel (#1-A1) and Left Side Bottom Panel (#1-A2) together, line up screw holes, use 3pcs of Screw G (#42) to tighten from the side.

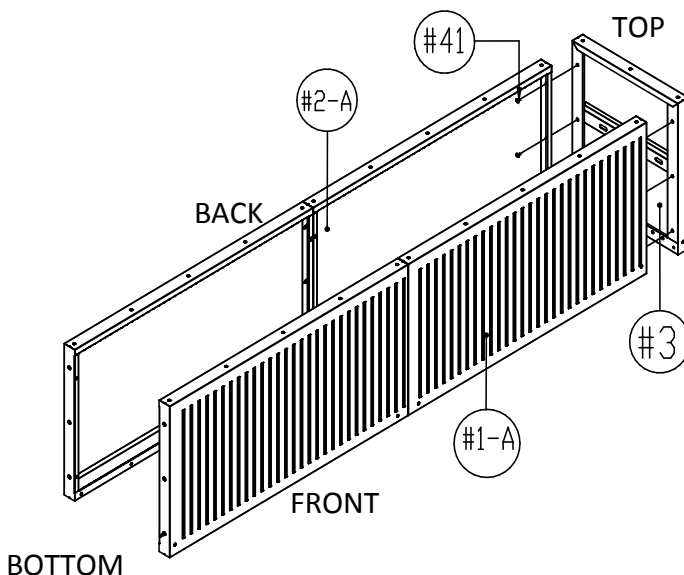
Note: Before tightening screws, make sure the corners and the face of the Left Side Panel (#1-A) are completely flush.



Step 2: Install Right Side Panel (#2-A)

Repeat Step 1, place Right Side Upper Panel (#2-A1), Right Side Bottom Panel (#2-A2) together, line up screw holes, use 3pcs of Screw G (#42) to tighten from the side.

Note: Before tightening screws, make sure the corners and the face of the Right Side Panel (#2-A) are completely flush.



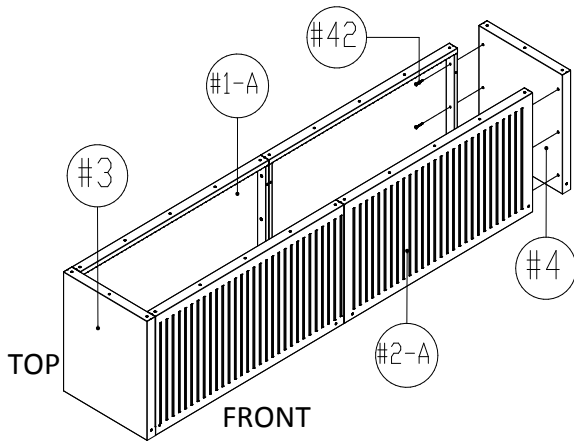
Step 3: Install Top Panel (#3) to Left Side Panel (#1-A) and Right Side Panel (#2-A)

Attach Top Panel (#3) to Left Side Panel (#1-A) and Right Side Panel (#2-A). Make sure the front of the unit faces downward. Line up screw holes, use 6pcs Screw F (#41) to tighten.

Note: Before tightening screws, make sure the corners of the Top Panel (#3) are completely flush.

ASSEMBLY INSTRUCTIONS (pg 8 of 12)

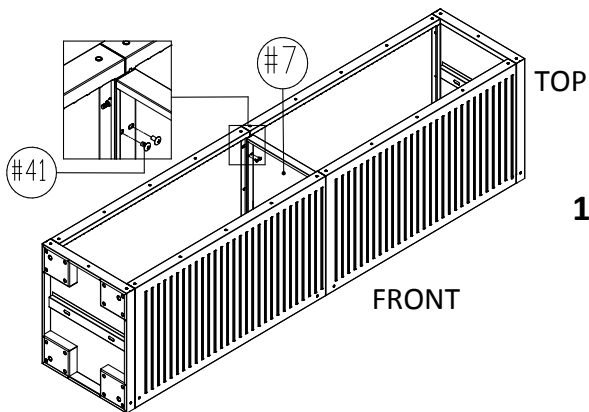
UltraHD 4-Door Locker Cabinet (Model No. 20294)



Step 4: Install Bottom Panel (#4) to Left Side Panel (#1-A) and Right Side Panel (#2-A)

Attach Bottom Panel (#4) to Left Side Panel (#1-A) and Right Side Panel (#2-A). Make sure the front of the unit faces downward. Line up screw holes, use 6pcs Screw G (#42) to tighten.

Note: Before tightening screws, make sure the corners of the Bottom Panel (#4) are completely flush.

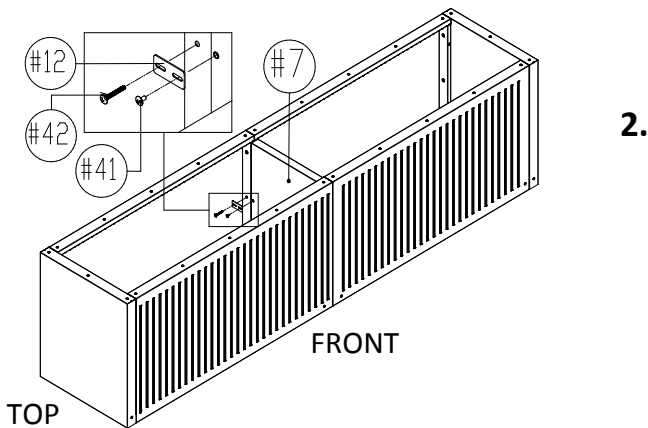


1.

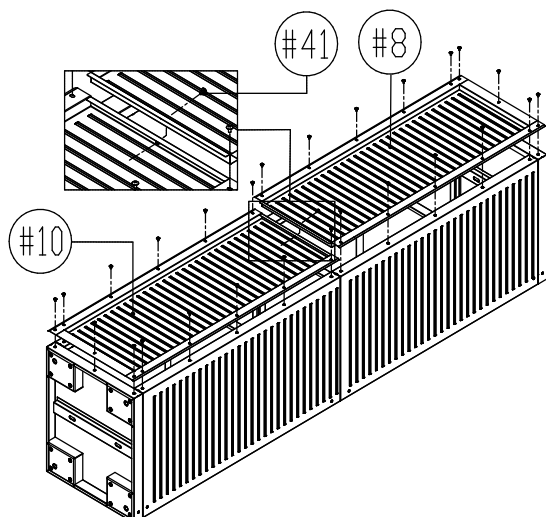
Step 5: Install Middle Layer Panel (#7)

1. Attached the Middle Layer Panel (#7) as the left picture shows. Use 8 pcs of Screw F (#41) to fasten the Middle Layer Panel to the Left and Right Panels (#1 and #2).

2. Remove the middle Screw G (#42) which attaches the upper and bottom side panels on Step 1 & 2. Attach the Middle Layer Panel Bracket (#12) to the center of the Middle Layer Panel (#7) and install back Screw G (#42) and install Screw F (#41).



2.



Step 6: Install Upper and Bottom Back Panels (#8, and #10)

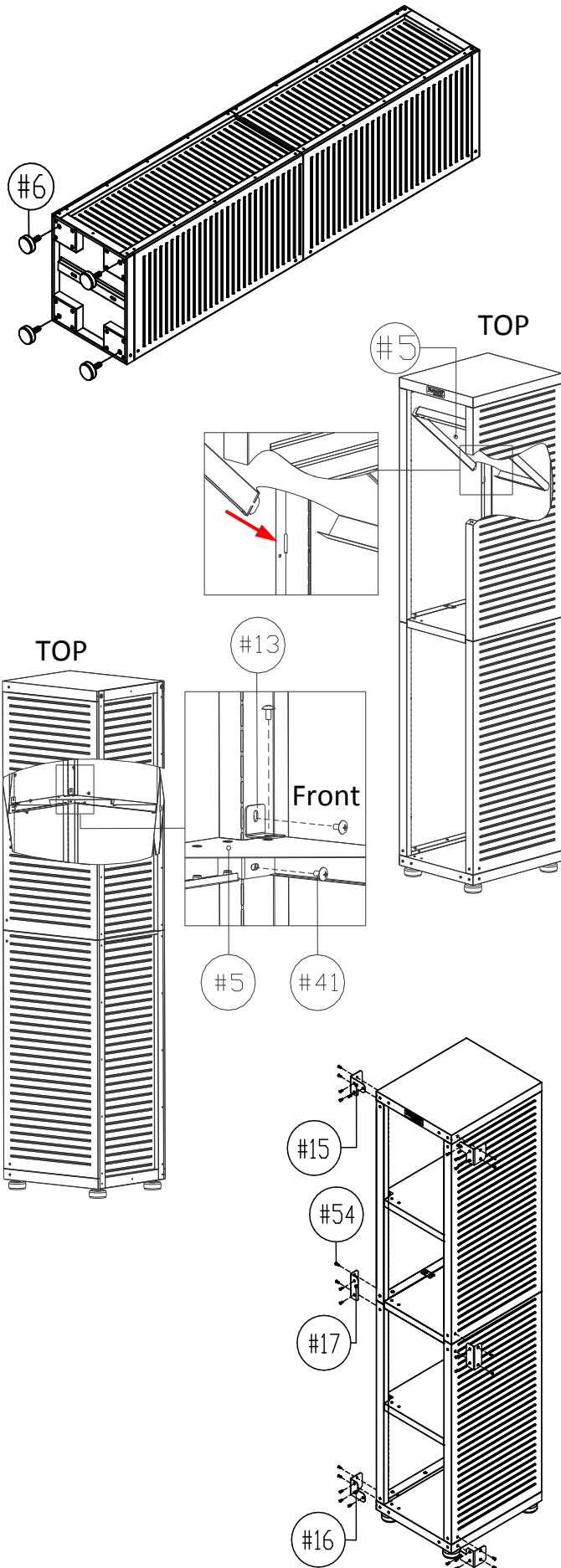
1). Attach Bottom Back Panel (#10) onto both Bottom of Left and Right Side Panels (#1-A2 and #2-A2) and Bottom Panel (#4).

2) Attach the Upper Back Panel (#8) above the Bottom Back Panel (#10) the same way. Place the groove of the Upper Back Panel (#8) onto the top edge of the Bottom Back Panel (#10).

3) Line up all the screw holes, use 27 pcs (#41) Screw F to tighten the Back Panels.

ASSEMBLY INSTRUCTIONS (pg 9 of 12)

UltraHD 4-Door Locker Cabinet (Model No. 20294)



Step 7: Install Leveling Feet (#6).

Install Leveling Feet (#6) into the largest corner holes of the Bottom Panel (#4), use Wrench (#25) to tighten.

Step 8: Install Middle Shelf (#5)

Insert a Middle Shelf (#5) into the slots on the Side Panels. Use 6 pcs Screw F (#41) to fasten the Middle Shelf Bracket (#13) to the front of the side panels.

Repeat Step 8 to assemble another Middle Shelf.

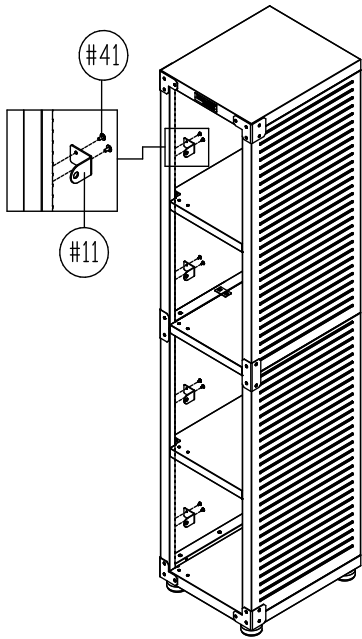
Step 9: Install Corner Protections (#15, #16 and #17)

1). Attach Corner Protection A, B (#15, #16) onto Top of the cabinet, use 10pcs (#54) Screw N to tighten.

2). Attach (#17-1) Middle Corner Protection to the middle of (#1-A) Left Side Panel and (#2-A) Right Side Panel, use 8pcs (#54) Screw N to tighten.

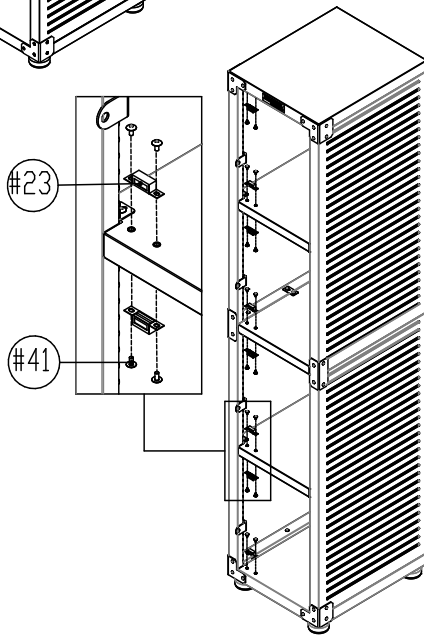
ASSEMBLY INSTRUCTIONS (pg 10 of 12)

UltraHD 4-Door Locker Cabinet (Model No. 20294)



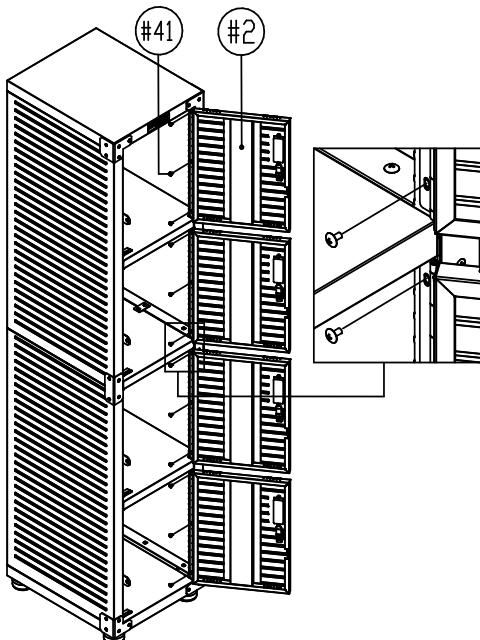
Step 10: Install Lock Plate (#11)

Attach the Lock Plate (#11) on the Left Panel (1-A), use 8 pcs Screw F (#41) to tighten.



Step 11: Install Magnet (#23)

Place Magnet (#23) onto the top and bottom of each panel, the black plate should be facing the front, use total 16pcs Screw F (#41) to tighten the magnets.



Step 12: Install Door (#2)

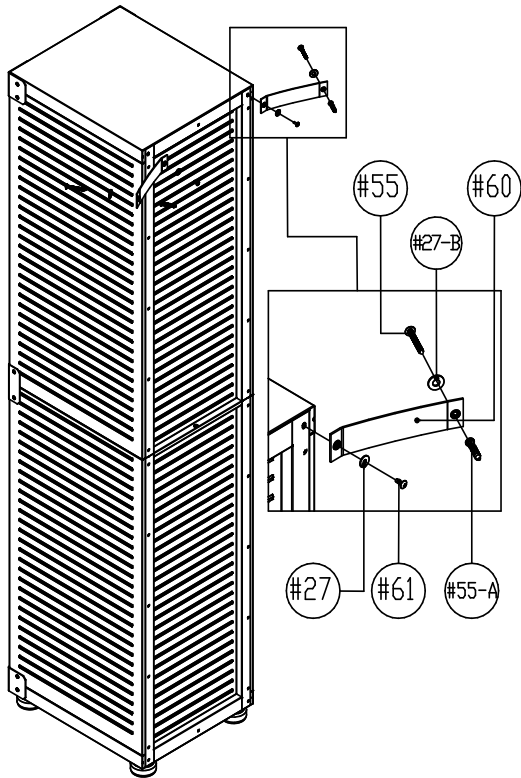
1). Attach Door (#2) to Right Side Panel (#2-A), use 3 pcs Screw F (#41) to tighten.

Repeat this step to assemble the rest of the doors.

NOTE: The screw holes on the door hinge have tolerance, enabling the door to be adjusted and centered in the door frame. Place top, middle and bottom screws first. Don't tighten screws completely - this may save time by avoiding having to make slight adjustments for leveling door panels later.

ASSEMBLY INSTRUCTIONS (pg 11 of 12)

UltraHD 4-Door Locker Cabinet (Model No. 20294)



Step 13: Install Mounting Strap (#60)

A. Remove 1 pc Screw F (#41) from the back corner protection.

B. Attach the Mounting Strap (#60) to the back Corner Protection brackets as the left photo shows using Screw O (#61) and Washer (#27).

C. Drill a hole in the wall with a 5/16" drill bit, insert the Wall Anchor (#55-A) into the hole.

D. Attach the other end of the Mounting Strap (#60) to the wall using Screw M (#55) and Washer (#27-B).

Repeat steps A through D to install the other mounting strap.

Warning: To prevent possible tipping, it is suggested that the Mounting Straps be installed. For safety, secure the mounting straps to wood studs whenever possible.

Stainless Steel Maintenance:

These parts have an UltraGuard® fingerprint resistant finish. Do not use traditional stainless steel cleaners on this unit. Lightly wipe off once a month with clean warm water and a soft cloth (preferably a microfiber cloth). This is the safest formula to prevent new stains from appearing over time and manage unwanted fingerprints or grease marks. Remember to always wipe in the direction of the surface grain (NEVER ACROSS) and always use a lint-free cloth. Once the surface is clean, thoroughly wipe dry with a soft absorbent cloth.

CONTACT INFORMATION (pg 12 of 12)

*If you are missing any parts, have any questions, or need additional assistance in assembly, please contact:



Seville Classics, Inc.
19401 South Harborage Way
Torrance, CA 90501
USA

Telephone: (800) 323-5565 within USA

Hours: 9:00am - 4:30pm (Pacific Standard Time)

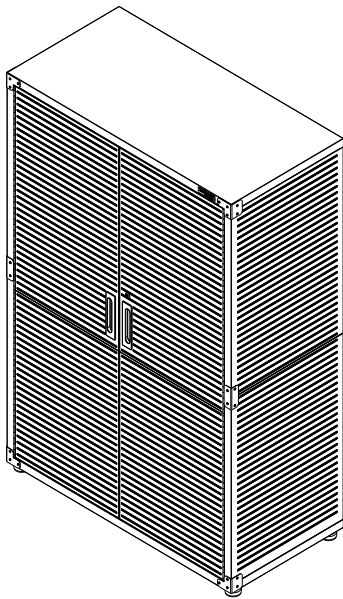
Fax: (310) 533-3899

E-mail: support@sevilleclassics.com

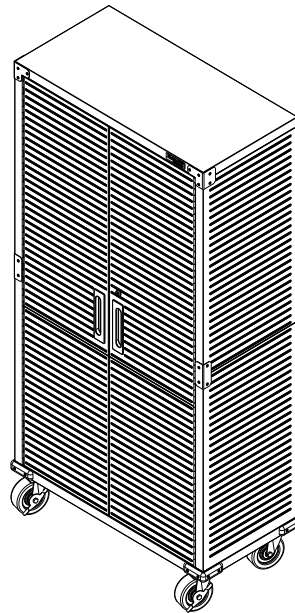
Website & Online Store: www.sevilleclassics.com

Please visit our website or call and inquire about our additional UltraHD Line

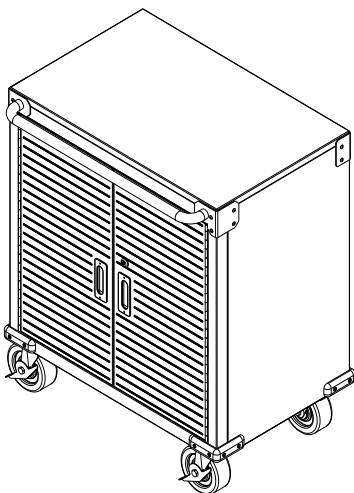
UltraHD Line



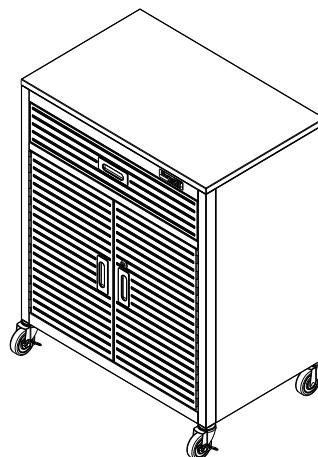
Model No. 16238
UltraHD Storage Cabinet



Model No. 16236
UltraHD Storage Cabinet

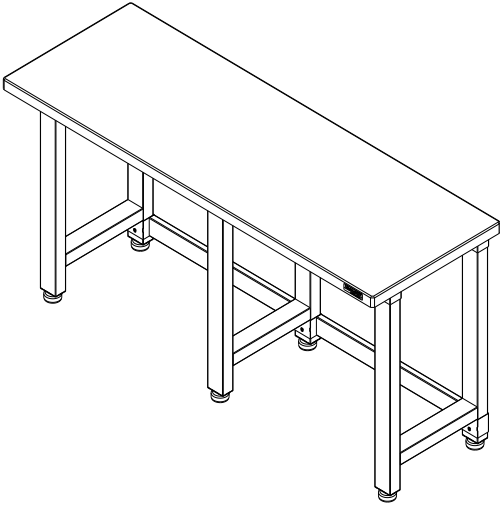


Model No. 20227
UltraHD Rolling Cabinet

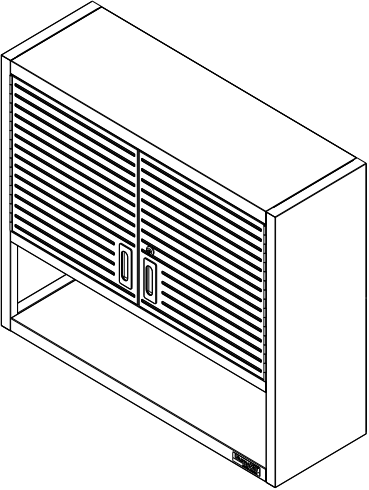


Model No. 20238
UltraHD Rolling Cabinet

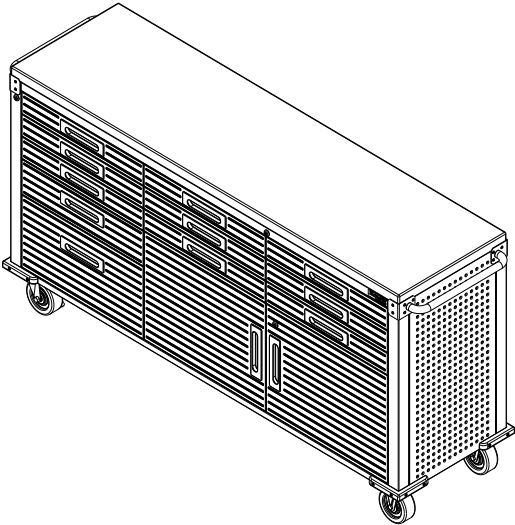
UltraHD Line



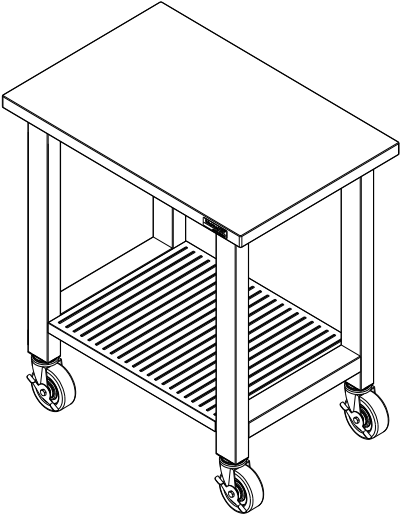
Model No. 20206
UltraHD Workbench



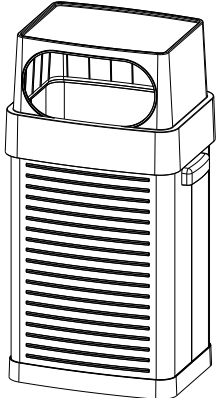
Model No. 20230
UltraHD Wall Cabinet



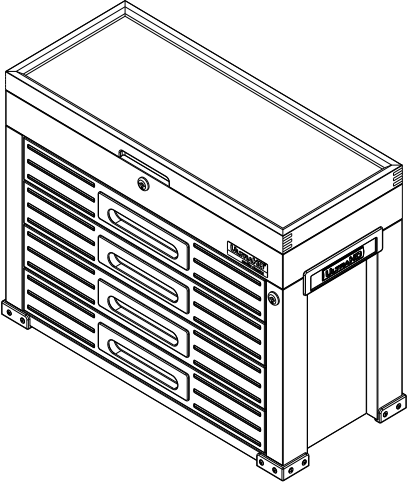
Model No. 20262
UltraHD Rolling Workbench



Model No. 20283
UltraHD Mobile Work Table



Model No. 20217
UltraHD Trash Bin



Model No. 20255
UltraHD Tool Box