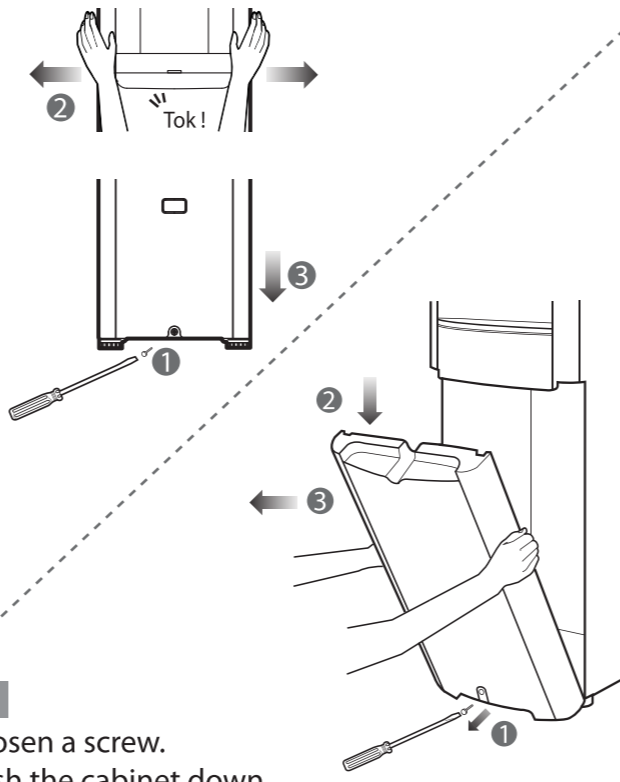


Installation Guide [How to replace new filter]

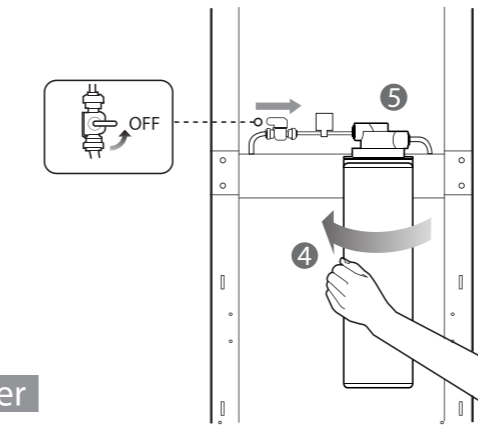
5PH

1. Unscrew at the bottom of cooler.
2. Bend upper front panel with your hands.
3. After tok sound, slightly lean the cooler backward and push lower front panel downward.



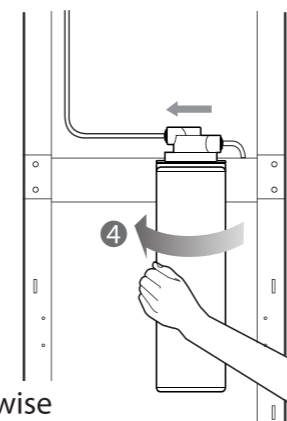
7PH

1. Loosen a screw.
2. Push the cabinet down.
3. Pull it out.



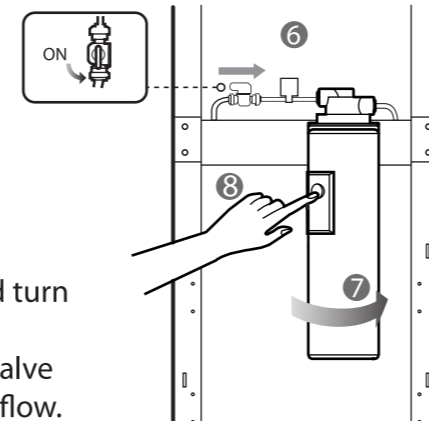
Everpure Filter

4. Turn the lever On/Off valve to stop water flow.
5. Twist the filter counter clockwise and pull downward to remove it.



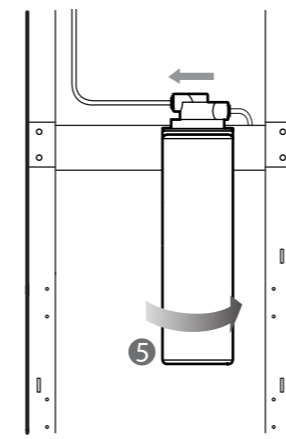
Omnipure Filter

4. Twist the filter counter clockwise and pull downward to remove it.



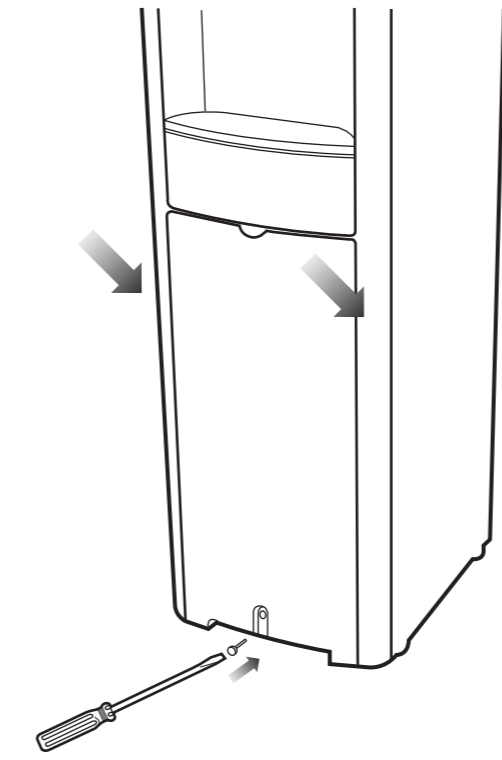
Everpure Filter

6. Put the new filter and turn the filter clockwise.
7. Re-turn the lever of valve for allowing water to flow.
8. Push the botton of 11-month-timer.



Omnipure Filter

5. Put the new filter and turn the filter clockwise.



Lastly, re-assemble and screw the cabinet.