



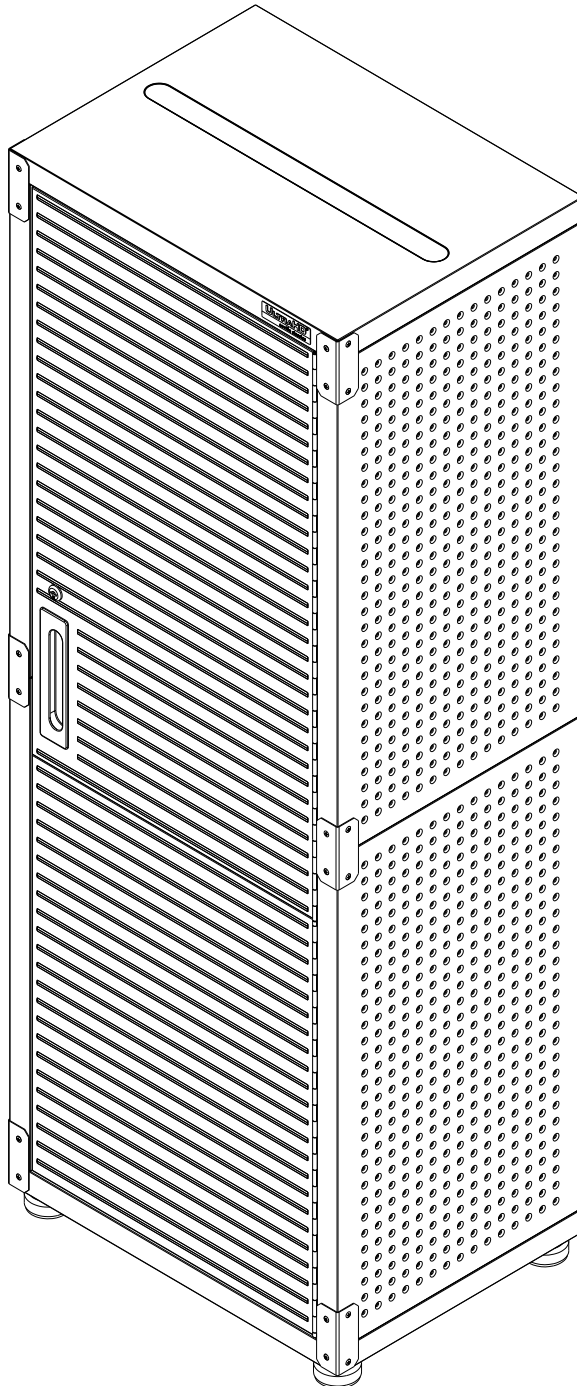
ASSEMBLY INSTRUCTIONS

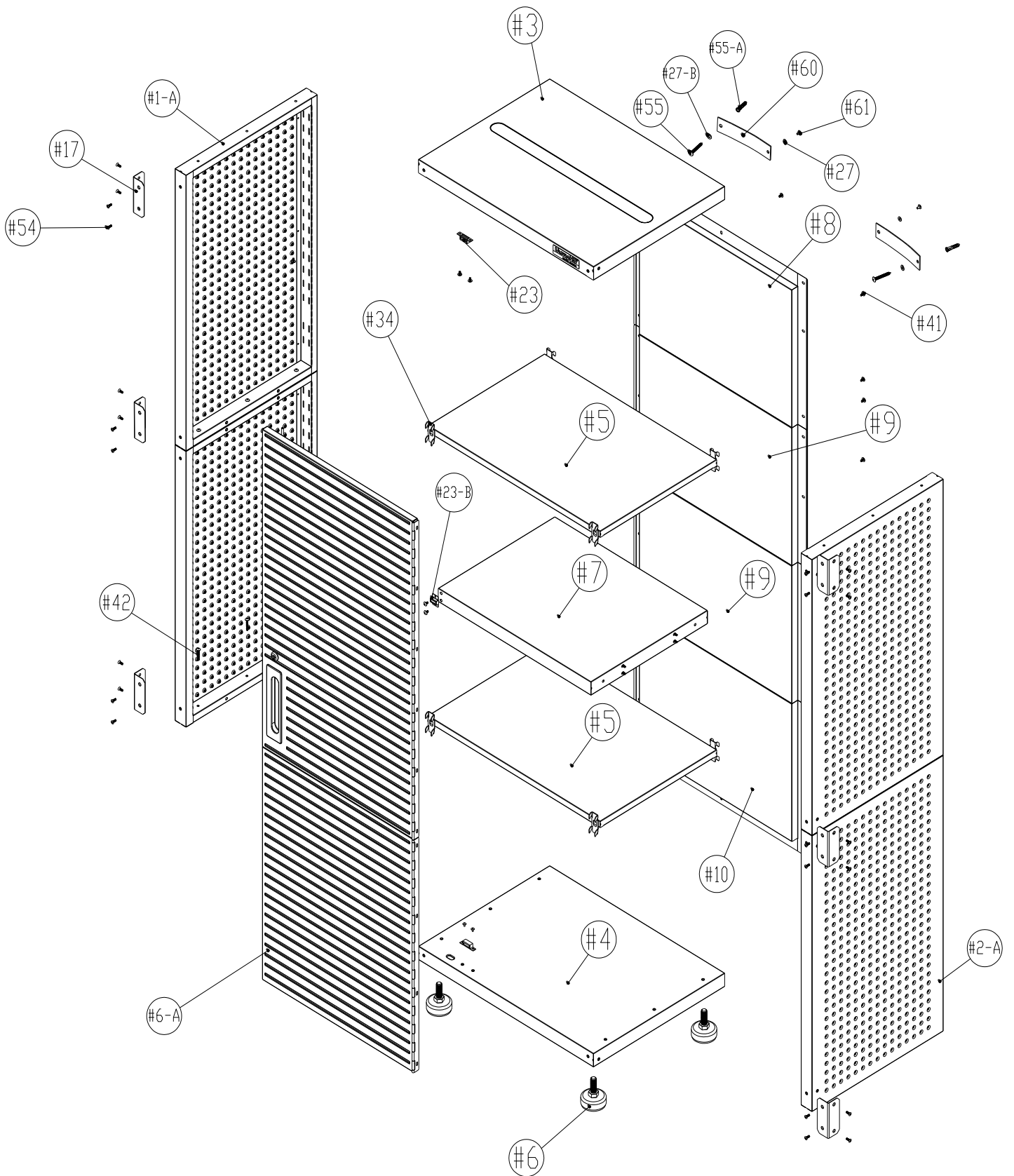
UltraHD Storage Cabinet (Model No. ‡ -")

24in. W X 18in. D X 66in. H
(60.96cm x 45.72cm x 1.68 m)

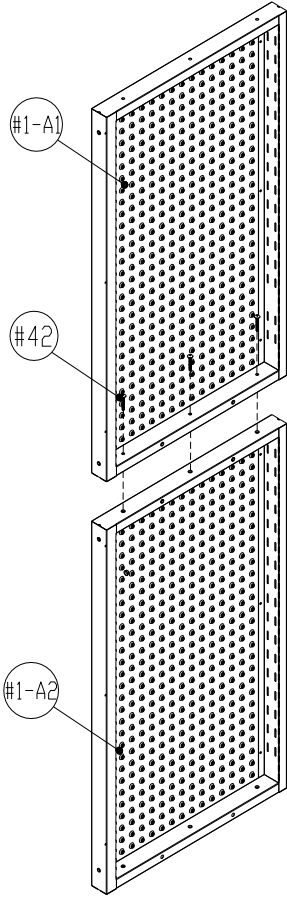
ULTRAGUARD®
FINGERPRINT RESISTANT SURFACES
AND INCREASED DURABILITY

Reference page 12 for special care
and maintenance of stainless steel

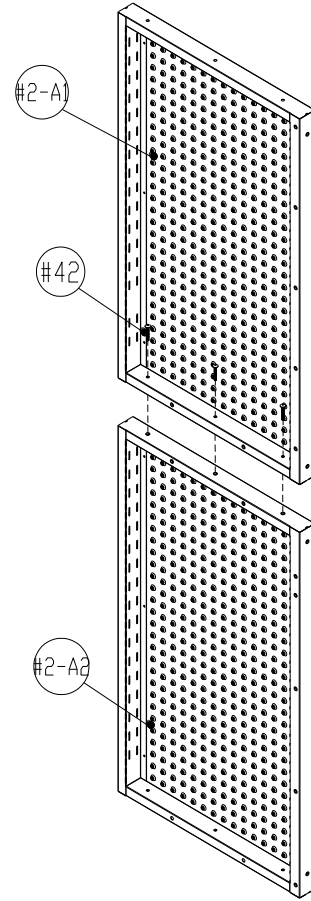




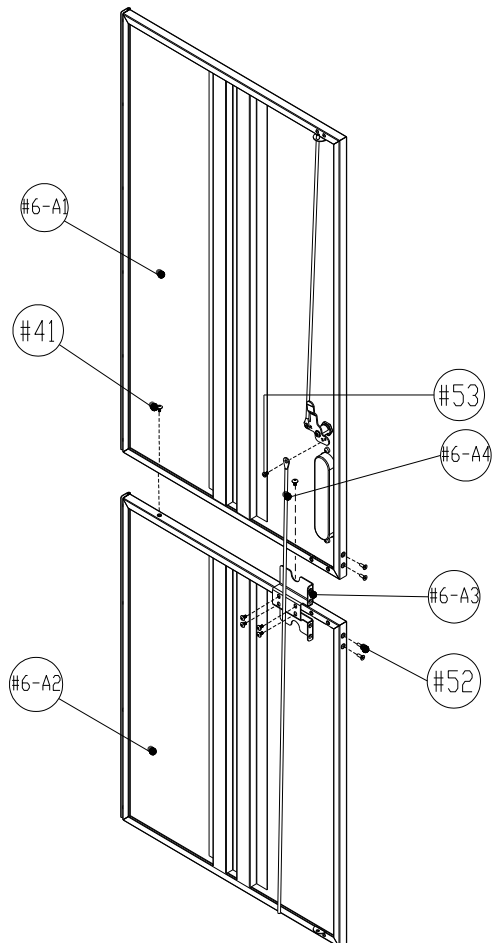
(#1-A) Left Panel



(#2-A) Right Panel

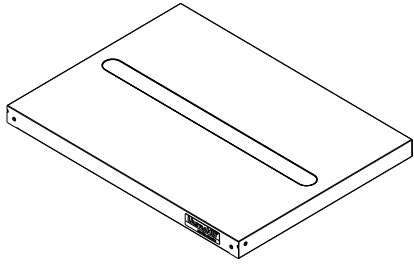


(#6-A) Door

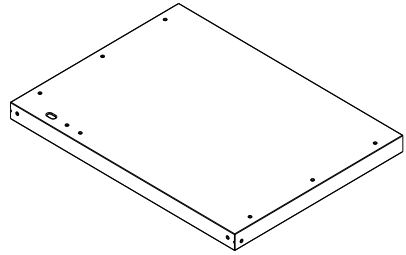


PARTS LIST (pg 3 of 13)

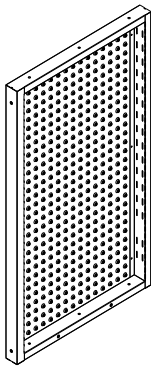
Please check the parts carefully according to the parts list. If you are missing any parts, please contact our customer service department. (please refer to page 13 of 13) .



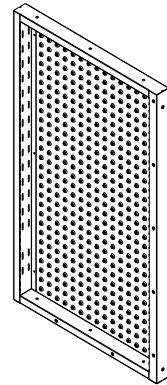
(#3) Top Panel x 1PC



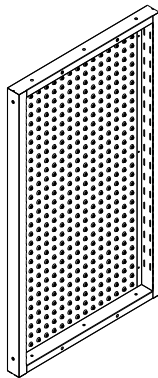
(#4) Bottom Panel x 1PC



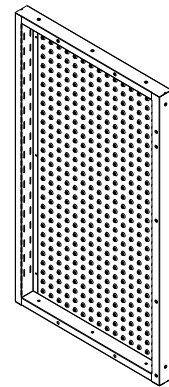
(#1-A1) Left Side - Upper Panel x 1PC



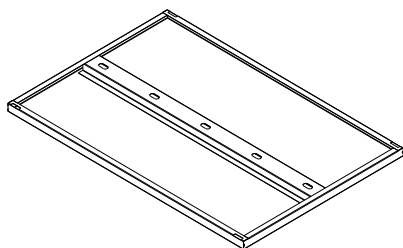
(#2-A1) Right Side - Upper Panel x 1PC



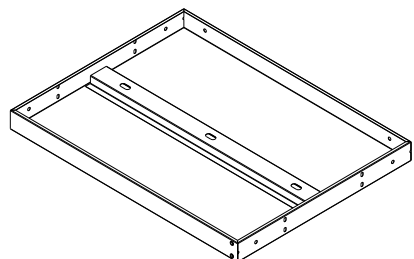
(#1-A2) Left Side - Bottom Panel x 1PC



(#2-A2) Right Side - Bottom Panel x 1PC



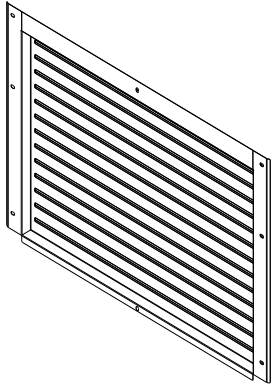
(#5) Middle Shelf x 2PC



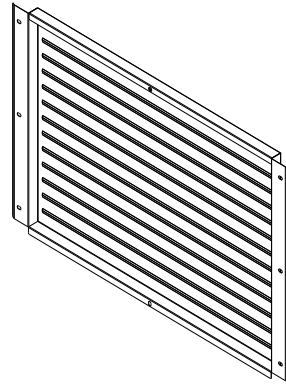
(#7) Middle Layer Panel x 1PC

PARTS LIST (pg 4 of 13)

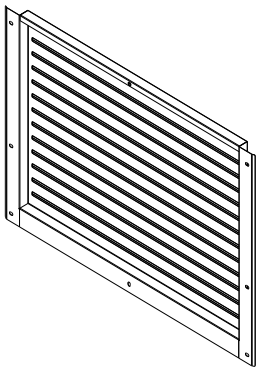
Please check the parts carefully according to the parts list. If you are missing any parts, please contact our customer service department. (please refer to page 13 of 13) .



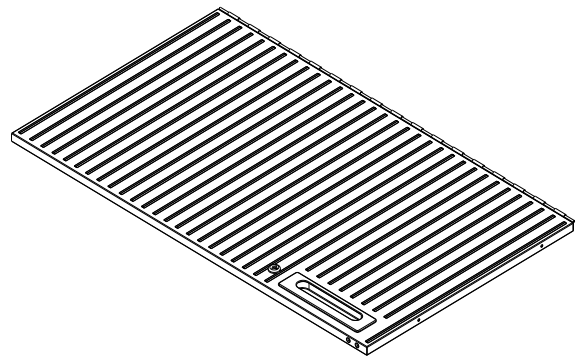
(#8) Upper Back Panel x 1PC



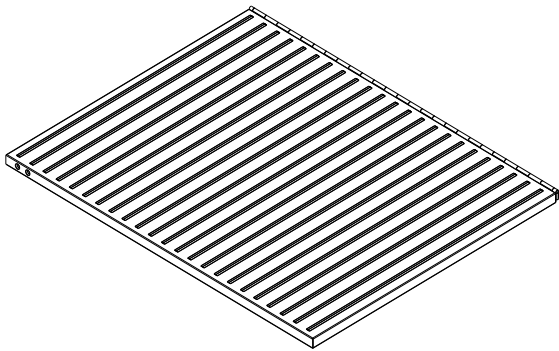
(#9) Middle Back Panel X 2PCS



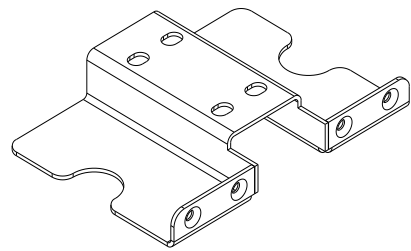
(#10) Bottom Back Panel x 1PC



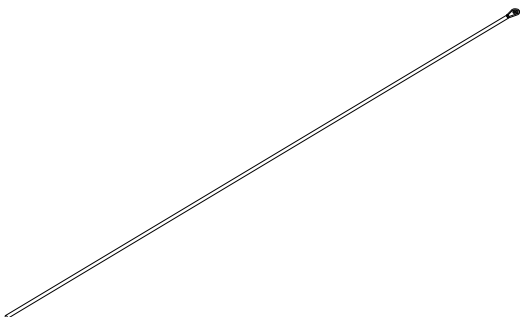
(#6-A1) Door - Upper Panel x 1PC



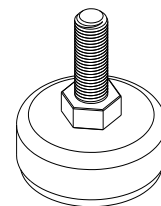
(#6-A2) Door - Bottom Panel x 1PC



(#6-A3) Door Panel Connection Part x 1 PC



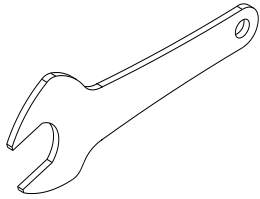
(#6-A4) Key Rod x 1 PC



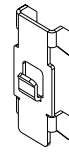
(#6) Leveling Feet x 4 PCS

PARTS LIST (pg 5 of 13)

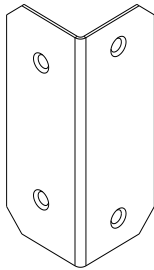
Please check the parts carefully according to the parts list. If you are missing any parts, please contact our customer service department. (please refer to page 13 of 13) .



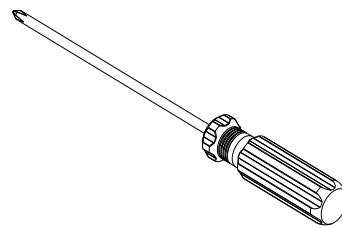
(#25) Wrench x 1 PC



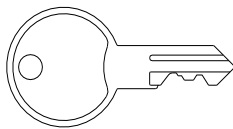
(#34) Hook x 8 PCS



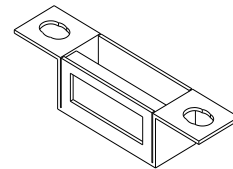
(#17) Middle Corner Protection x 6 PCS



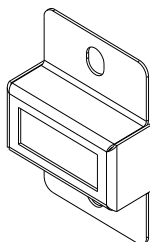
(#21) Screw Driver x 1 PC



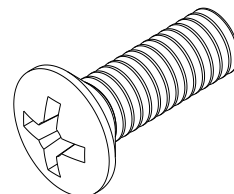
(#22) Key x 2 PCS



(#23) Magnet x 2 PCS



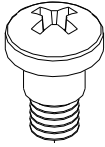
(#23-B) Magnet - B x 1PC



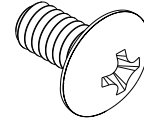
(#54) Screw N (M4 x 10L) x 24 PCS

PARTS LIST (pg 6 of 13)

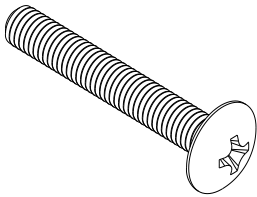
Please check the parts carefully according to the parts list. If you are missing any parts, please contact our customer service department. (please refer to page 13 of 13) .



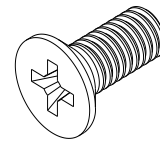
(#53) Screw L (M4 x 6L) x 1 PC



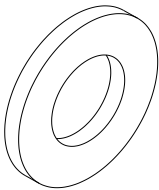
(#41) Screw F (M4 x 8L) x 65 PCS



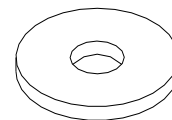
(#42) Screw G (M4 x 30L) x 12 PCS



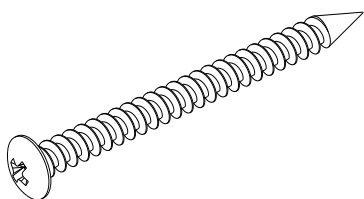
(#52) Screw K (M5 x 10L) x 4 PCS



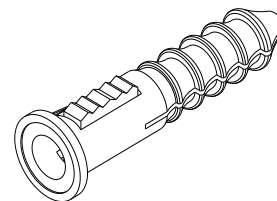
(#27-B) Washer (M8)x 2 PCS



(#27) Washer (M4) x 2 PCS



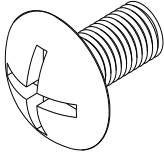
(#55) Screw M (M6 x 50L) x 2 PCS



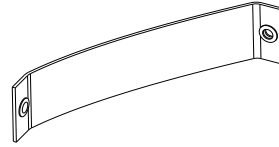
(#55-A) Wall Anchor x 2 PCS

PARTS LIST (pg 7 of 13)

Please check the parts carefully according to the parts list. If you are missing any parts, please contact our customer service department. (please refer to page 13 of 13) .



(#61) Screw O (M4 x 12L) x 2 PCS



(#60) Mounting Strap x 2 PCS

ASSEMBLY INSTRUCTIONS (pg 8 of 13)

UltraHD Storage Cabinet (Model No. ‡ - ")

TIP: A magnetic screwdriver is included for your convenience. If a power screwdriver is used, keep on a low torque setting.

WARNING: Some parts may have sharp edges. To avoid injury, wearing gloves is recommended during assembly.

Step 1: Install Left Side Panel (#1-A)

Place the Left Side - Upper Panel (#1-A1) and Left Side - Bottom Panel (#1-A2) together, line up screw holes, use 3pcs of Screw G (#42) to tighten from the side

Step 2: Install Right Side Panel (#2-A)

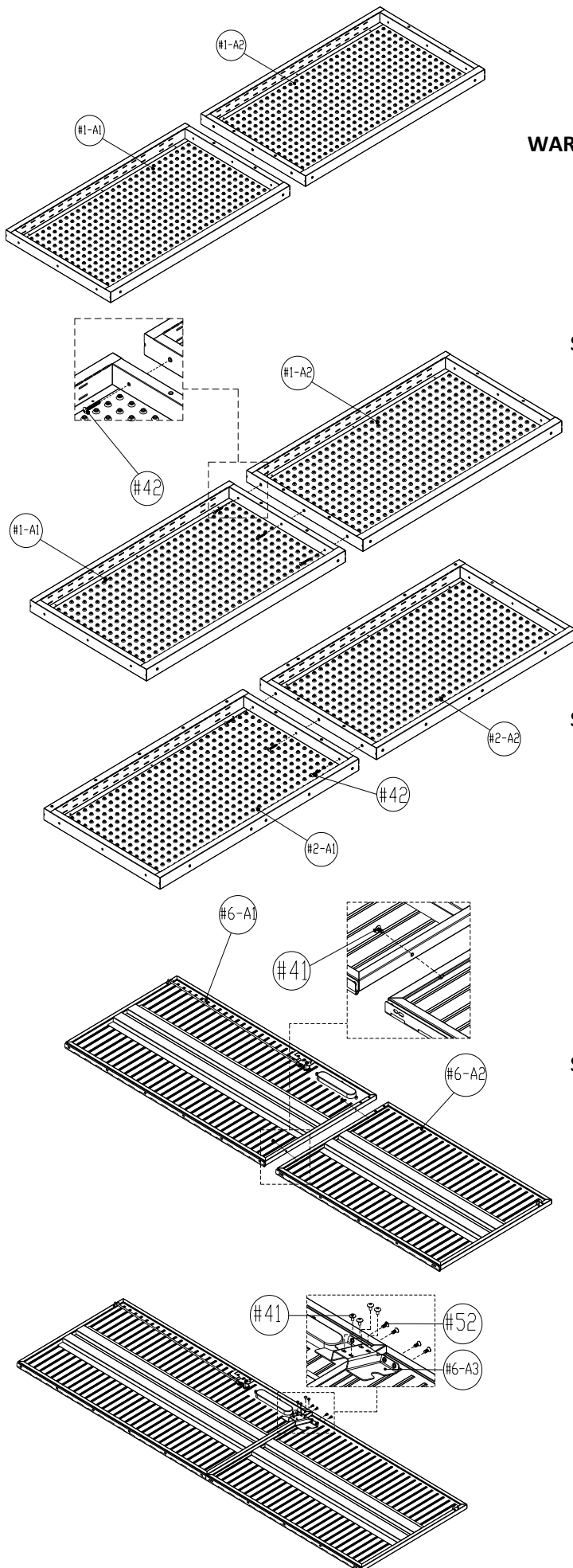
Repeat Step 1, place Right Side Upper Panel (#2-A1), Right Side Bottom Panel (#2-A2) together, line up screw holes, use 3pcs of Screw G (#42) to tighten from the side

Step 3: Install Door Panel (#6-A)

1). Place Door - Upper Panel (#6-A1) and Door - Bottom Panel (#6-A2) together, line up screw holes, use 2 pcs Screw F (#41) to tighten from the side.

2). Place the Door Panel Connection Part (#6-A3) over the touching sides, line up the screw holes, use 4pcs Screw F (#41) to tighten from the top, and use 4pcs Screw K (#52) to tighten from outside edge.

Note: Make sure all the panels assembled up to this point are flush.

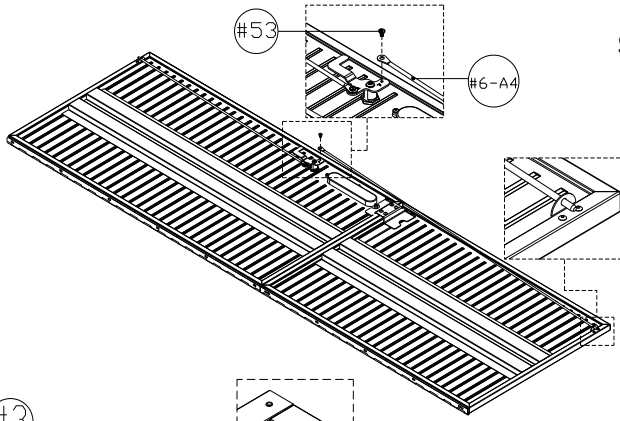


ASSEMBLY INSTRUCTIONS (pg 9 of 13)

UltraHD Storage Cabinet (Model No. ‡ -")

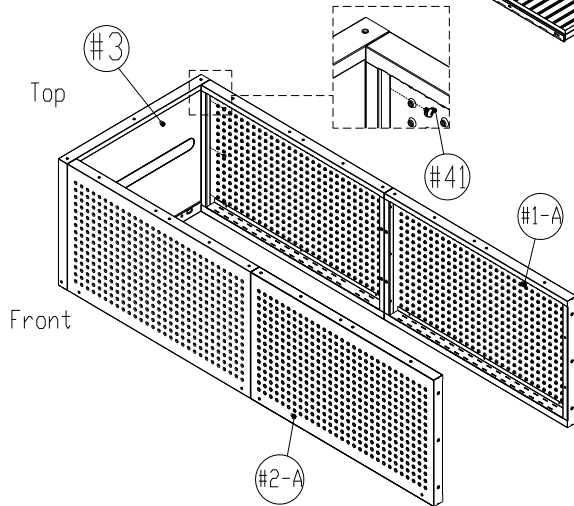
Step 4: Install Key Rod (#6-A4)

Insert Key Rod (#6-A4) into the bottom tab hole of the Door - Bottom Panel (#6-A2), twist out the Pre-assembled Screw L (#53) on the key rod linkage plate, attach Key Rod (#6-A4) by lining up the screw hole and tightening back in the Screw L (#53)



Step 5: Install Top Panel (#3) to Left Side Panel (#1-A) and Right Side Panel (#2-A)

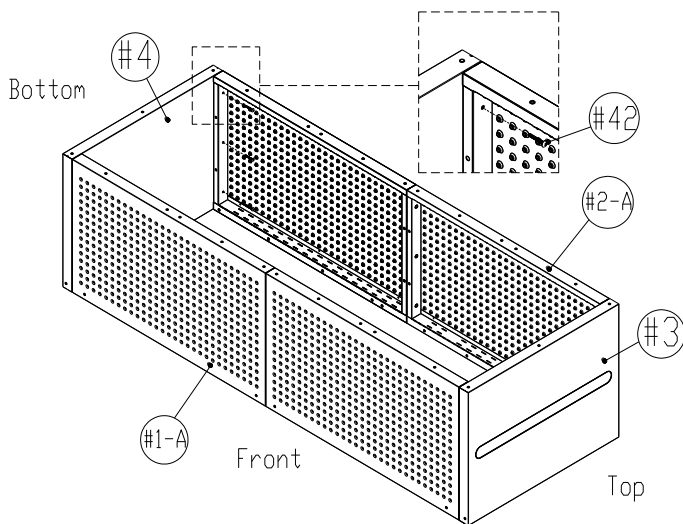
Attach Top Panel (#3) to Left Side Panel (#1-A) and Right Side Panel (#2-A). Make sure the front of the unit faces downward. Line up screw holes, use 6pcs Screw F (#41) to tighten.



Note: Before tightening screws, make sure the corners of the Top Panel (#3) are completely flush.

Step 6: Install Bottom Panel (#4) to Left Side Panel (#1-A) and Right Side Panel (#2-A)

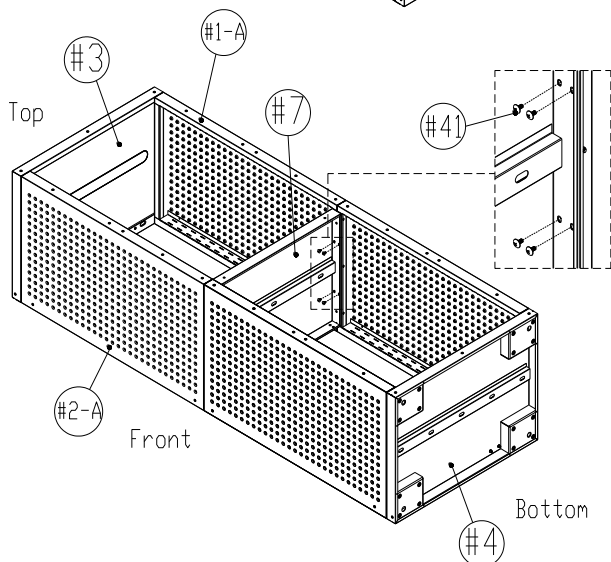
Attach Bottom Panel (#4) to Left Side Panel (#1-A) and Right Side Panel (#2-A). Make sure the front of the unit faces downward. Line up screw holes, use 6pcs Screw G (#42) to tighten.



Note: Before tightening screws, make sure the corners of the Bottom Panel (#4) are completely flush.

Step 7: Install Middle Layer Panel (#7)

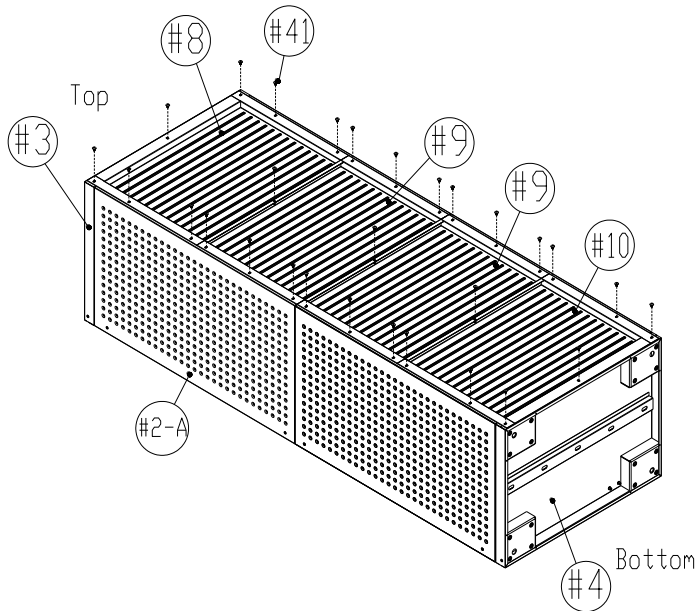
Attached the Middle Layer Panel (#7) as the left picture shows. Use 8 pcs of Screw F (#41) to fasten the Middle Layer Panel to the Left and Right Panel (#1 and #2).



Note: Before tightening screws, make sure the front of the panel faces downward.

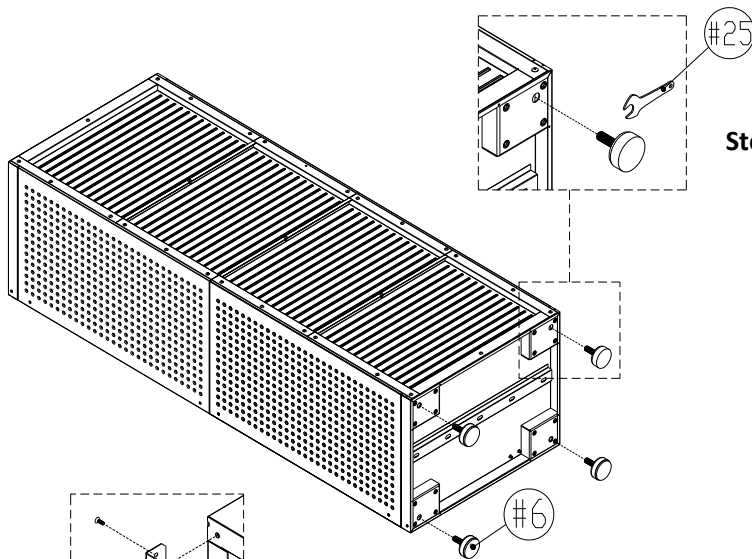
ASSEMBLY INSTRUCTIONS (pg 10 of 13)

UltraHD Storage Cabinet (Model No. ‡ -")



Step 8: Install Back Panels (#8, #9 and #10)

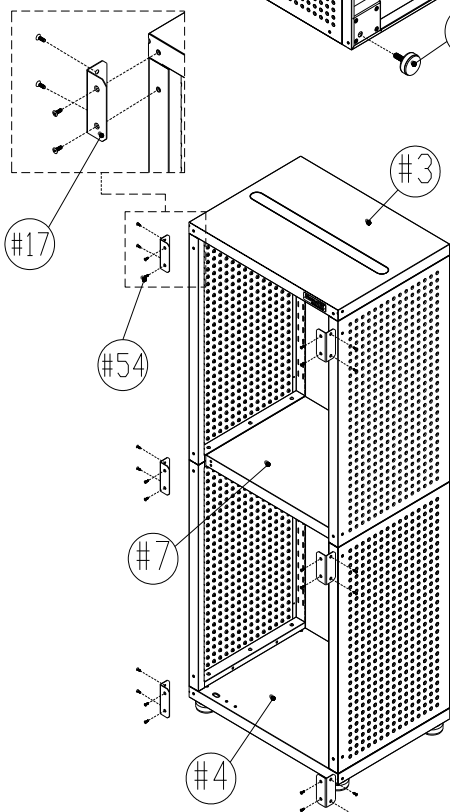
- 1) Attach Bottom Back Panel (#10) onto both Bottom of Left and Right Side Panels (#1-A2 and #2-A2) and Bottom Panel (#4).
- 2) Attach both Middle Back Panel (#9) above Bottom Back Panel (#10) the same way. Place the groove of the Middle Back Panel (#9) onto the top edge of the Bottom Back Panel (#10).
- 3) Place the Upper Back Panel (#8) the same way.
- 4) Line up all the screw holes, use 29pcs (#41) Screw F to tighten the Back Panels.



Step 9: Install Leveling Feet (#6).

- Install Leveling Feet (#6) into the largest corner holes of the Bottom Panel (#4), use Wrench (#25) to tighten.

Lift the Storage Cabinet upright after this step

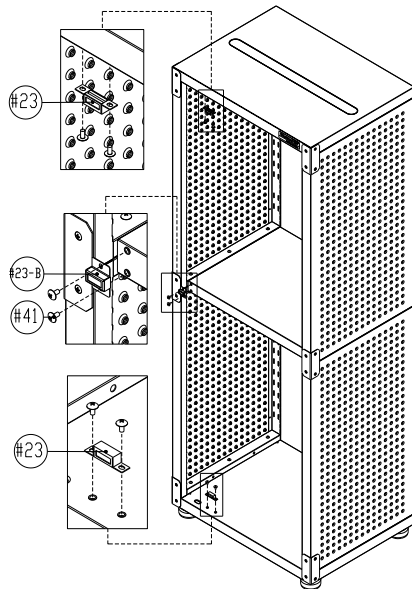


Step 10: Install Corner Protection (#17)

- 1) Attach Corner Protection on the Top, Middle and Bottom corners of the cabinet, use 24pcs Screw N (#54) to tighten.

ASSEMBLY INSTRUCTIONS (pg 11 of 13)

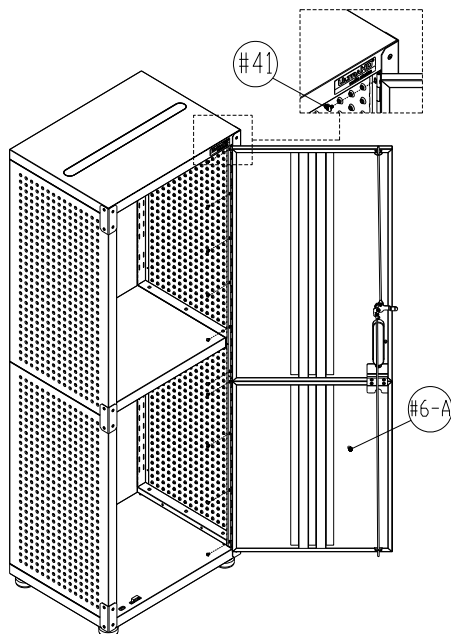
UltraHD Storage Cabinet (Model No. ‡ - "



Step 11: Install Magnet (#23) and Magnet-B (#23-B)

Place Magnet (#23) onto Top Panel (#3) and Bottom Panel (#4) facing the front, use 4pcs Screw F (#41) to tighten.

Place Magnet-B (#23-B) on the front of the Middle Layer Panel(#7), use 2pcs Screw F (#41) to tighten.



Step 12: Install Door (#6-A)

1). Attach Door (#6-A) to Right Side Panel (#2-A), use 10pcs Screw F (#41) to tighten.

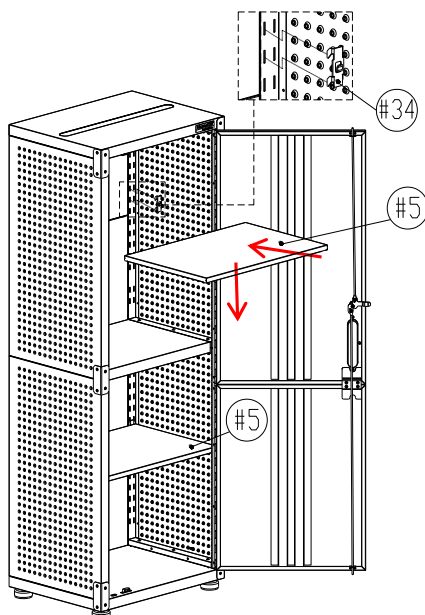
NOTE: The screw holes on the door hinge have tolerance, enabling the door to be adjusted and centered in the door frame. Place top, middle and bottom screws first. Don't tighten screws completely - this may save time by avoiding having to make slight adjustments for leveling door panels later.

Step 13: Install Middle Shelves (#5)

1). Decide the height for the each Middle Shelf (#5). Place 1pc of Hook (#34) into the hook slot where each corner of shelf should be placed. Make sure the hooks supporting each shelf are at same height.

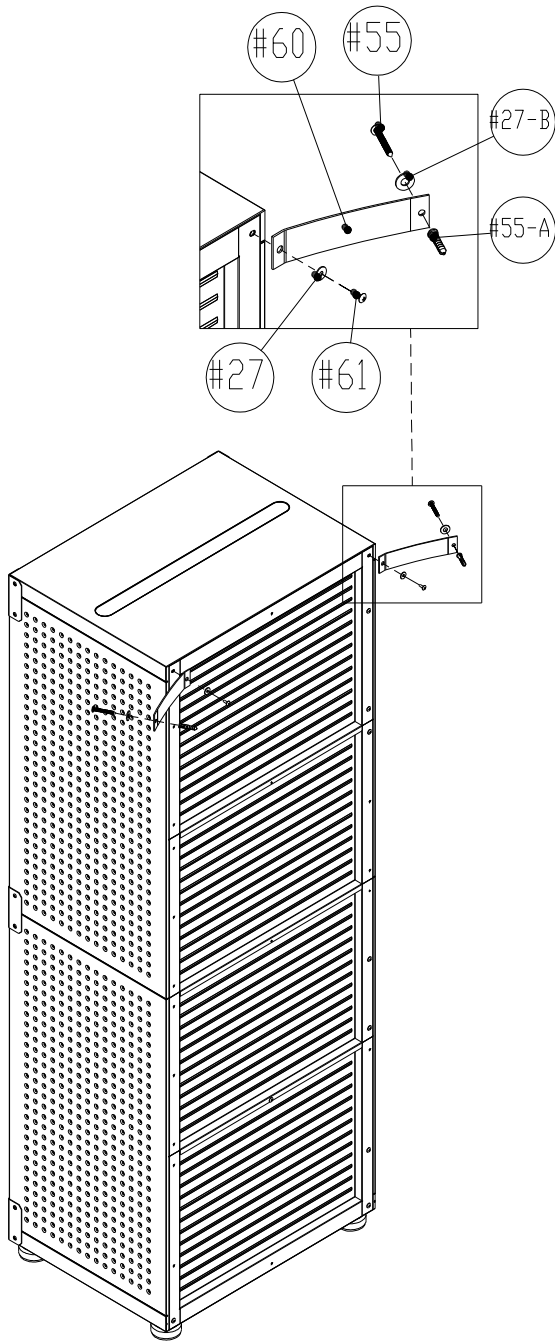
Note: All Middle Shelves (#5) need a hook at each corner to support it.

2). Place each Middle Shelf (#5) into cabinet and push down onto Hooks (#34).



ASSEMBLY INSTRUCTIONS (pg 12 of 13)

UltraHD Storage Cabinet (Model No. ‡ -")



Step 14: Install Mounting Strap (#60)

A. Remove 1 pc Screw F (#41) from the back corner protection.

B. Attach the Mounting Strap (#60) to the back Corner Protection brackets as the left photo shows using Screw O (#61) and Washer (#27).

C. Drill a hole in the wall with a 5/16" drill bit, insert the Wall Anchor (#55-A) into the hole.

D. Attach the other end of the Mounting Strap (#60) to the wall using Screw M (#55) and Washer (#27-B).

Repeat steps A through D to install the other mounting strap.

Warning: To prevent possible tipping, it is suggested that the Mounting Straps be installed. For safety, secure the mounting straps to wood studs whenever possible.

Stainless Steel Maintenance:

These parts have an UltraGuard® fingerprint resistant finish. Do not use traditional stainless steel cleaners on this unit. Lightly wipe off once a month with clean warm water and a soft cloth (preferably a microfiber cloth). This is the safest formula to prevent new stains from appearing over time and manage unwanted fingerprints or grease marks. Remember to always wipe in the direction of the surface grain (NEVER ACROSS) and always use a lint-free cloth. Once the surface is clean, thoroughly wipe dry with a soft absorbent cloth.

CONTACT INFORMATION (pg 13 of 13)

*If you are missing any parts, have any questions, or need additional assistance in assembly, please contact our bilingual (English and Spanish) customer service department at:



Seville Classics, Inc.
19401 South Harborgate Way
Torrance, CA 90501
USA

Telephone: (800) 323-5565 within USA

Hours: 9:00am - 4:30pm (Pacific Standard Time)

Fax: (310) 533-3899

E-mail: support@sevilleclassics.com

Website & Online Store: www.sevilleclassics.com

*****Please visit our website or call and inquire about our additional UltraHD Line*****