

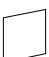



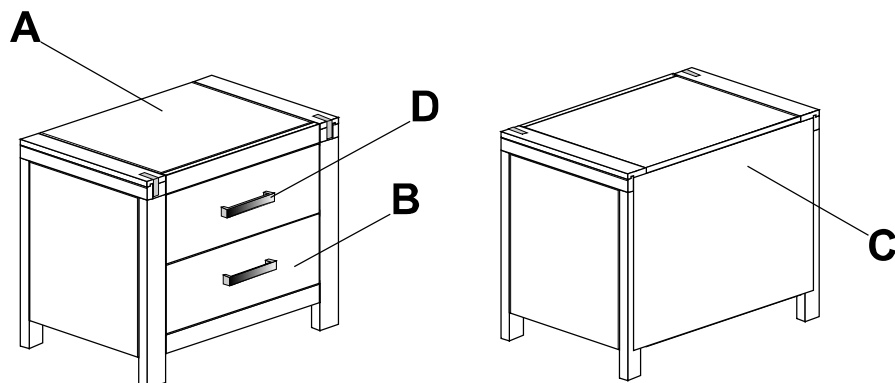
ASSEMBLY INSTRUCTION

**GROUP NO : NIGHT STAND
ITEM NO : WN100NS**

Description : Night stand

PART LIST :

No.	NAME	PART	CODE	QTY
A	WARNER NIGHT STAND TOP		PWN100NSTOP	1 PC
B	WARNER NIGHT STAND DRAWER (ALL EQUAL)		PWN100NSDRW1	2 PCS
C	WARNER NIGHT STAND BACK PANEL		PWN100NSBPN	1 PC
D	WARNER HANDLE WITH SCREW		PWN100HADS	2 PCS



NOTE: SCREWS WILL BECOME LOOSE WITH USE AND OVER TIME WILL NEED TO BE TIGHTENED PERIODICALLY. CHECK TIGHTNESS OF SCREWS EVERY 6-8 WEEKS. THANK YOU FOR PURCHASING THIS QUALITY PRODUCT. BE SURE TO CHECK ALL PACKING MATERIAL CAREFULLY FOR SMALL PARTS WHICH MAY HAVE BECOME LOOSE INSIDE THE CARTON DURING SHIPMENT.