

# Assembly Instruction for

## CHAIR


UER080100CA/UER081100CA/UER084100CA/UER091100CA/ER636100CA/  
UER082100GT/UER090100GT/UER636100GT/UER080100/UER082100CA

**CAUTION:** Please read instruction thoroughly before unpacking assembly parts. Sharp, exposed staple tips can cause injury, therefore, for your protection, please remove any exposed staples used in packing.

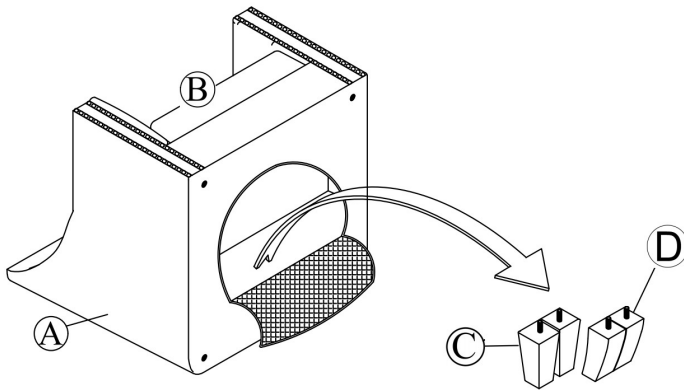
1. We recommend that you should assemble this product with the assistance of another person; this will make assembly easier, and will help to eliminate damage the product or injury to persons during assembly.
2. Be sure to check all packing materials carefully for small parts that may have come loose inside the carton during shipment.
3. Please do not over tighten screws or bolts.
4. Please put all parts on a non-abrasive floor before assembly, and follow the assembly steps to assembly your newly purchased product correctly and efficiently.

### PART LIST

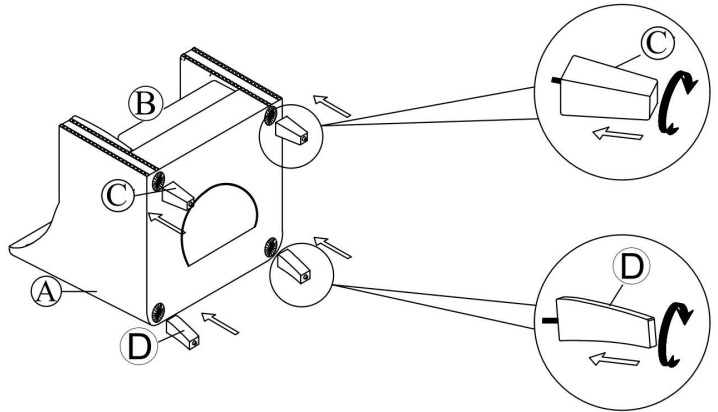
NO.	PART DESC	CODE	QTY
A	CHAIR		1
B	SEAT		1
C	FRONT LEG	PUERLEG 1	2
D	BACK LEG	PUERLEG 2	2

 Only tighten all bolts when all bolts aligned with bolt inserts

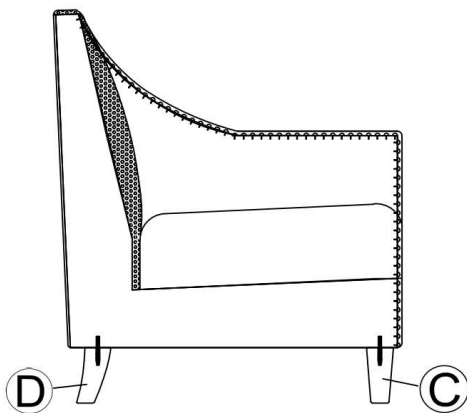
### STEP 1



### STEP 2



### STEP 3



Notice: Please NOTICE THE CORRECT FINAL POSITION OF THE LEGS. DURING USING OR MOVING THIS ITEM, OCCASIONAL RE-TIGHTENING MAY BE REQUIRED.

### COMPLETE

