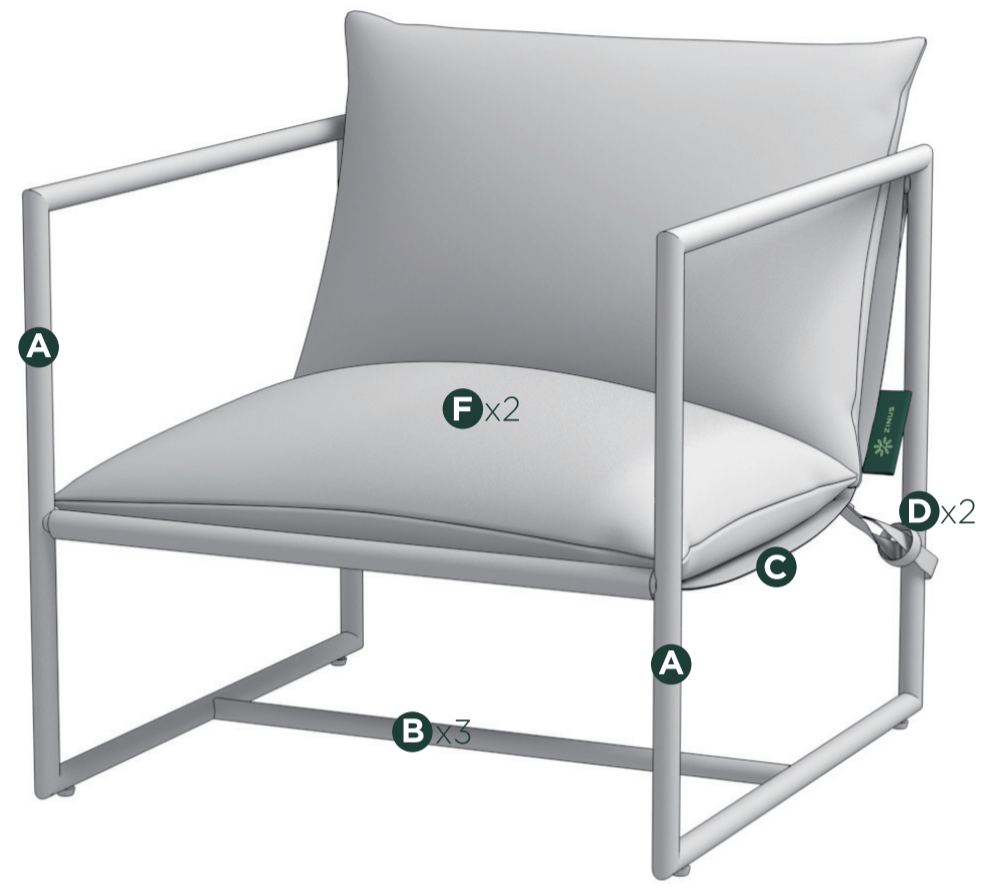




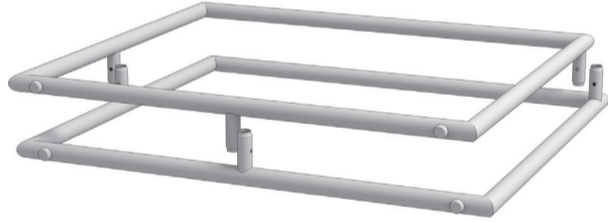

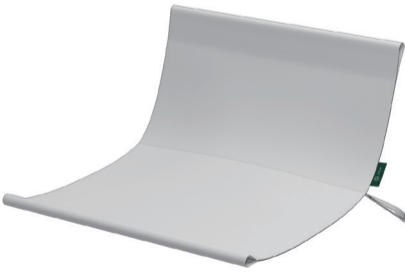

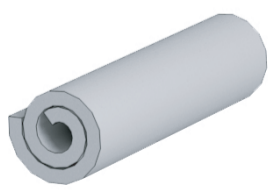

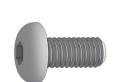

# Easy as 1-2-3 Assembly Instruction

Numbers must Match for Secure Assembly



## USHSL1ZC-1

### Components

-  ..... **A** x1set
-  ..... **B** x3pcs
-  ..... **C** x1pc
-  ..... **D** x2pcs
-  ..... **E** x2pcs
-  ..... **F** x2pcs
-  ..... x6pcs
-  ..... x1pc

### Return Policy

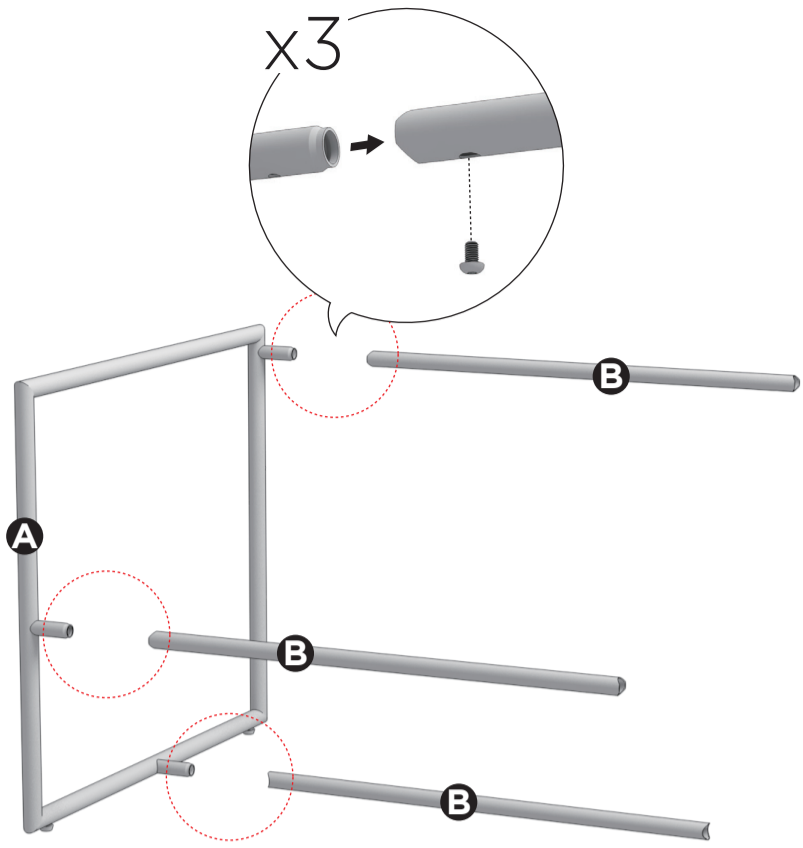
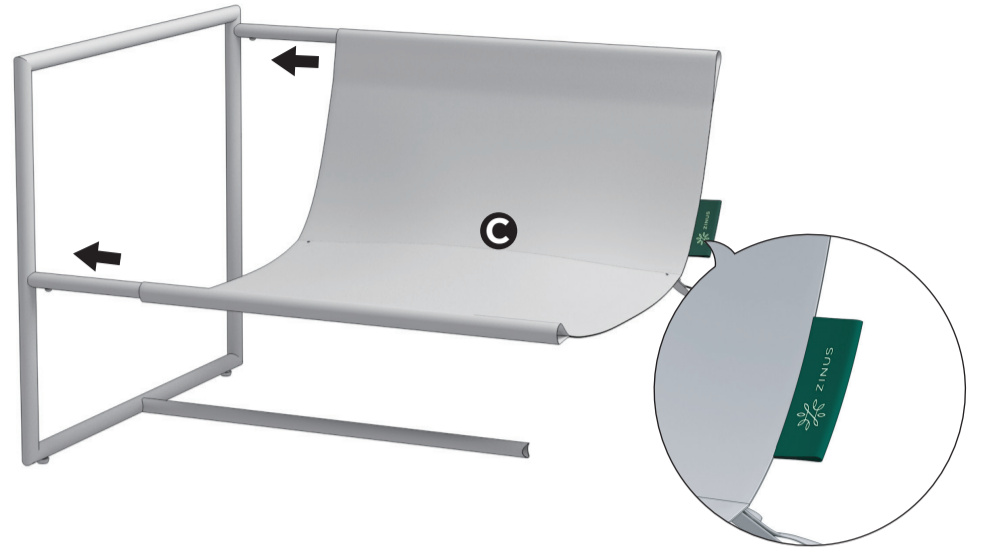
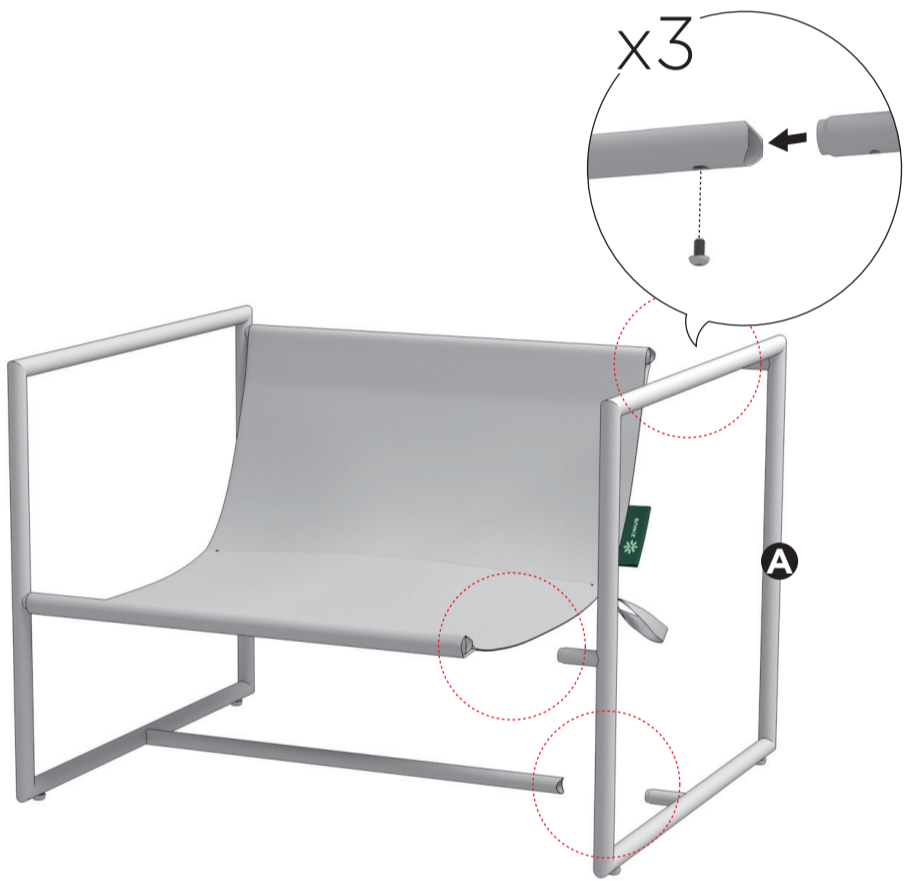
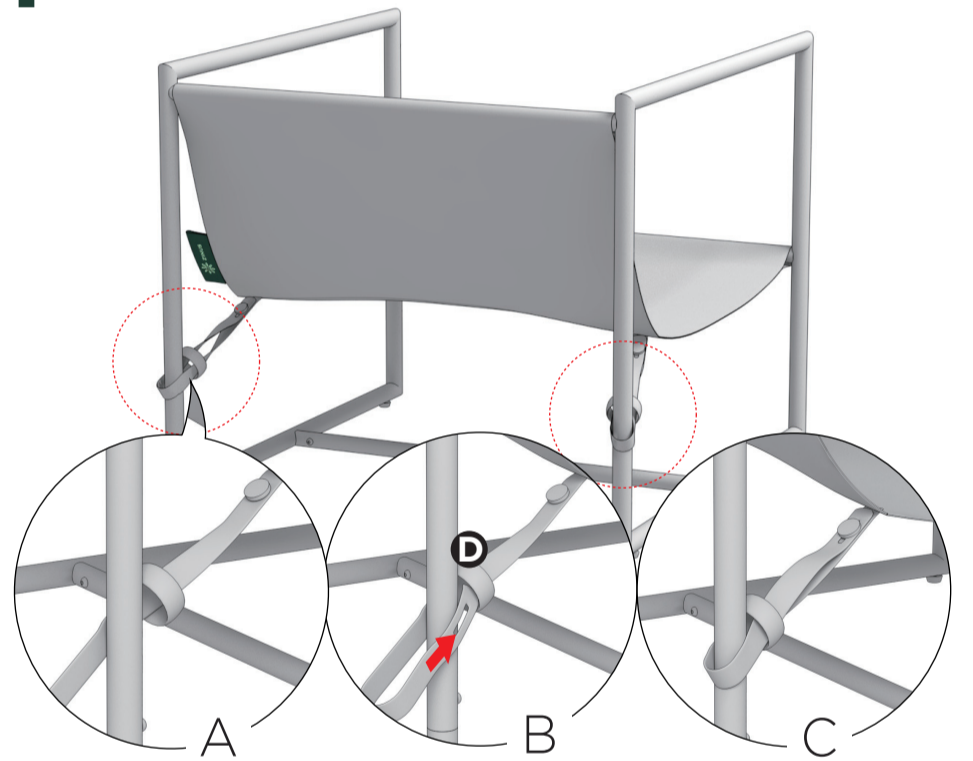
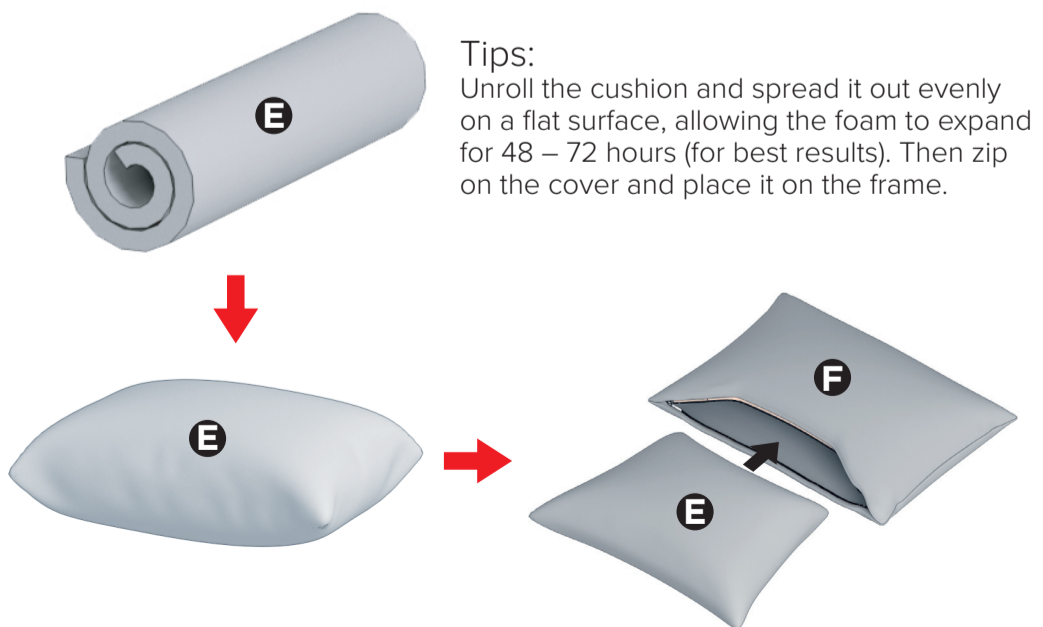
ZINUS believes you will absolutely love your new addition to your home, but if for some reason you want to return the product, please contact us directly before you decide to return your product to the retailer. Our Customer Service organization can answer most concerns and can assist you with any questions you may have about your new product. Please contact us at [support@zinusinc.com](mailto:support@zinusinc.com) for any questions on our Return Policy.

The item must be returned in good condition, in original box, with all original proof of purchase, parts and accessories, within the time frame specified by the retailer it was purchased from.

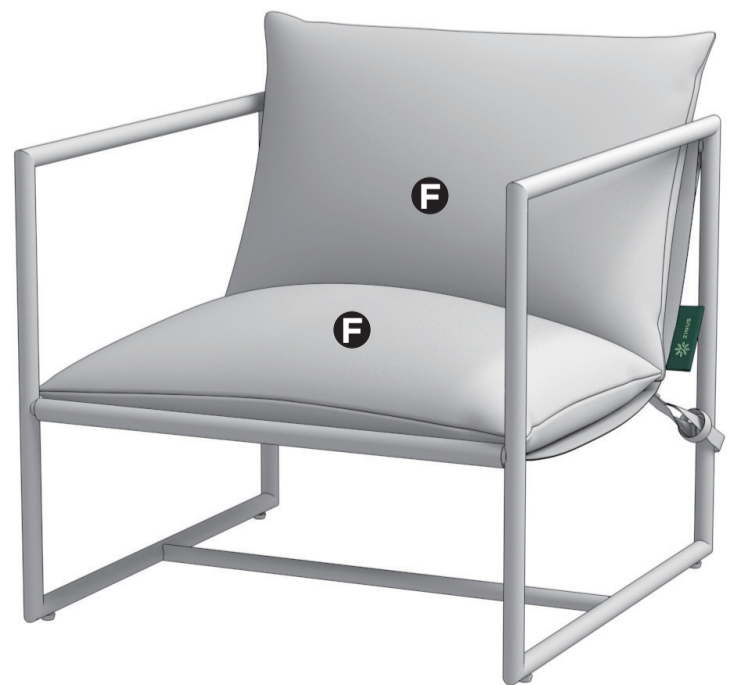
**Please visit [Zinus.com](http://Zinus.com) for warranty information on your new product.**

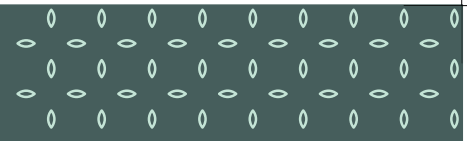
### **WARNING**

**Each Chair Weight Capacity: 250lb / 113kg**  
 Exert care when assembling/disassembling frame so that fingers are not pinched. Exceeding maximum seated weight capacity limit may cause personal injury and/or damage to product: user must ensure weight is evenly distributed.  
 This product is not a toy. This product is not intended for use by children without adult supervision. This product is intended for use on a flat and even surface, preferably at ground level. This product has been designed for normal and customary usage; any other use may cause serious personal injury or product failure.  
 Do not stand or climb on this chair, it is not a ladder or work platform. To prevent potential injuries and structural failures, do not use chair other than for its intended purpose. Regularly inspect chair for loose or missing hardware, metal fatigue and general stability. If chair appears to be damaged or unstable, discontinue use.

**1****2****3****4****5**

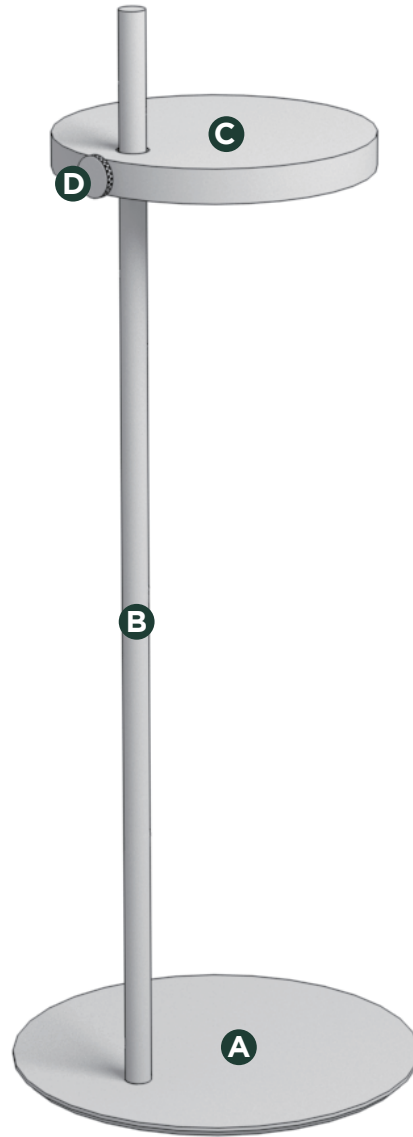
x2

**6**



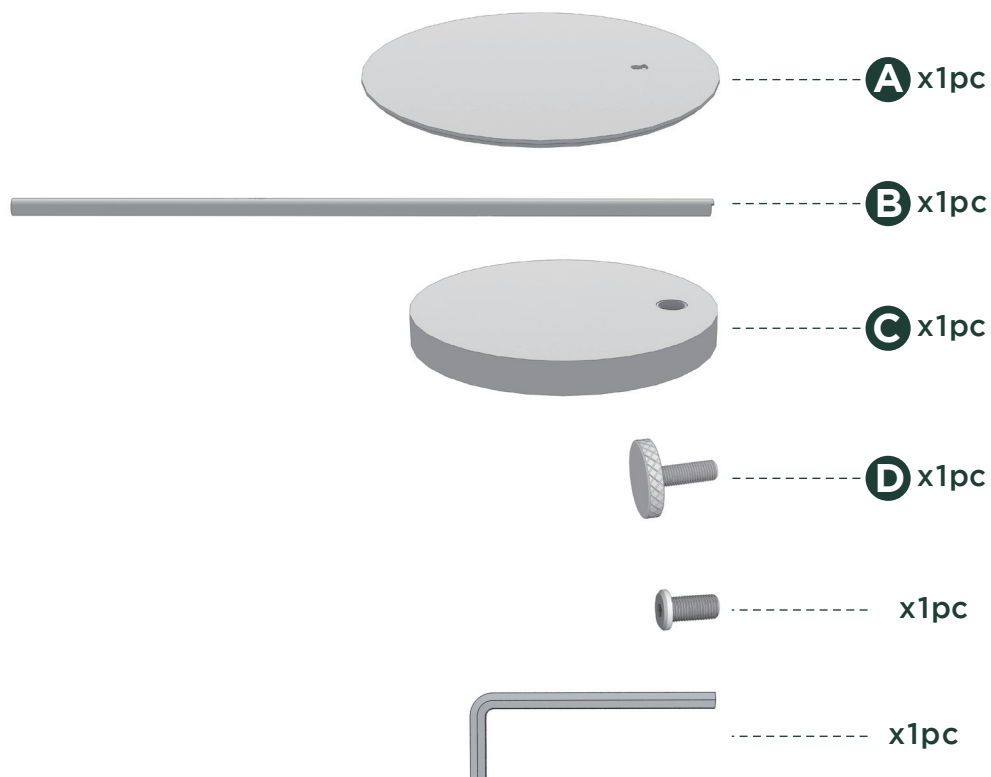
# Easy as 1-2-3 Assembly Instruction

Numbers must Match for Secure Assembly



## USHSL-2

### Components



### Return Policy

ZINUS believes you will absolutely love your new addition to your home, but if for some reason you want to return the product, please contact us directly before you decide to return your product to the retailer. Our Customer Service organization can answer most concerns and can assist you with any questions you may have about your new product.

Please contact us at [support@zinusinc.com](mailto:support@zinusinc.com) for any questions on our Return Policy.

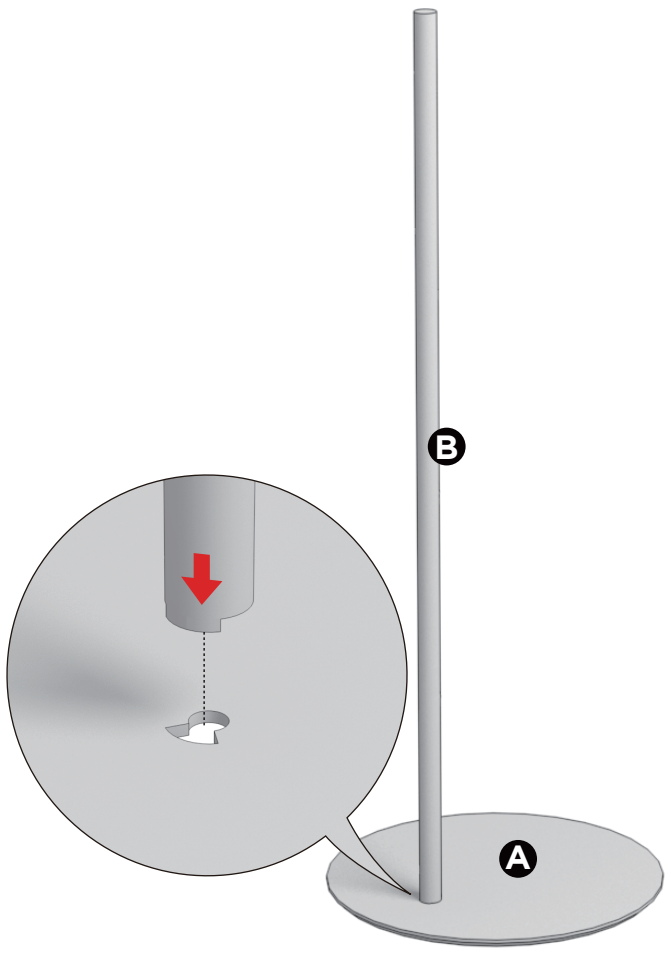
The item must be returned in good condition, in original box, with all original proof of purchase, parts and accessories, within the time frame specified by the retailer it was purchased from.

**Please visit [Zinus.com](http://Zinus.com) for warranty information on your new product.**

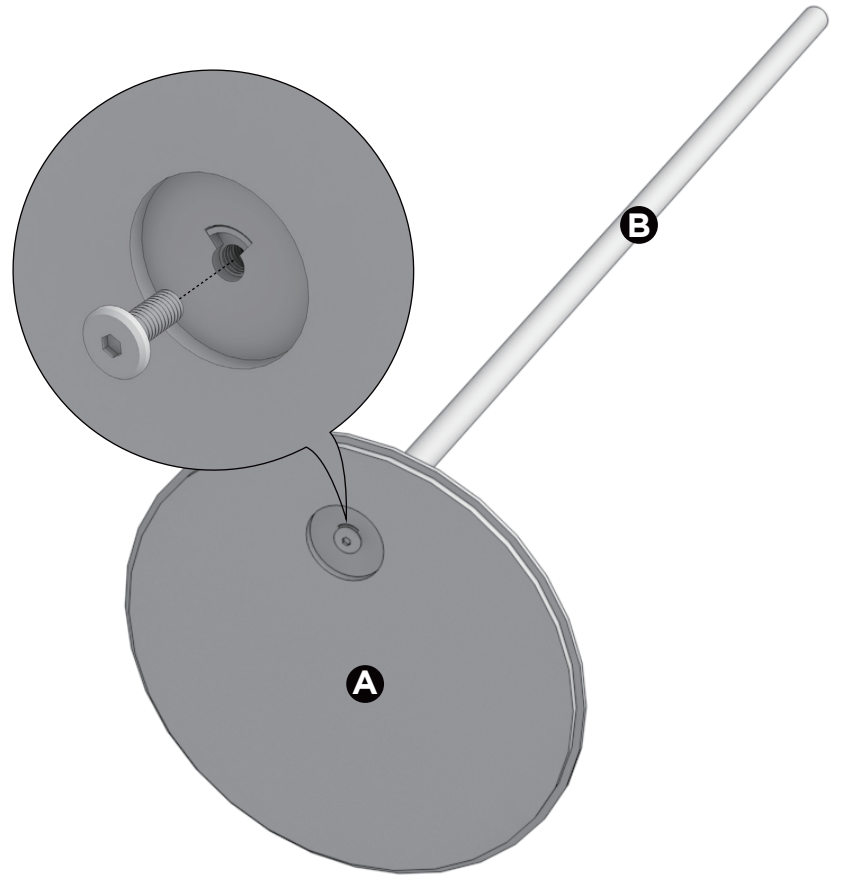
### Care Instruction

- ◆ Wipe spills immediately
- ◆ Always use coasters, pads cloth or felt to protect furniture surface.
- ◆ To protect finish, dust with soft dry cloth.

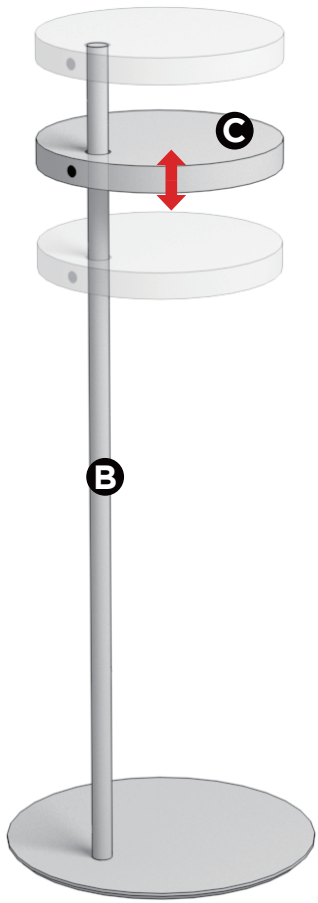
1



2



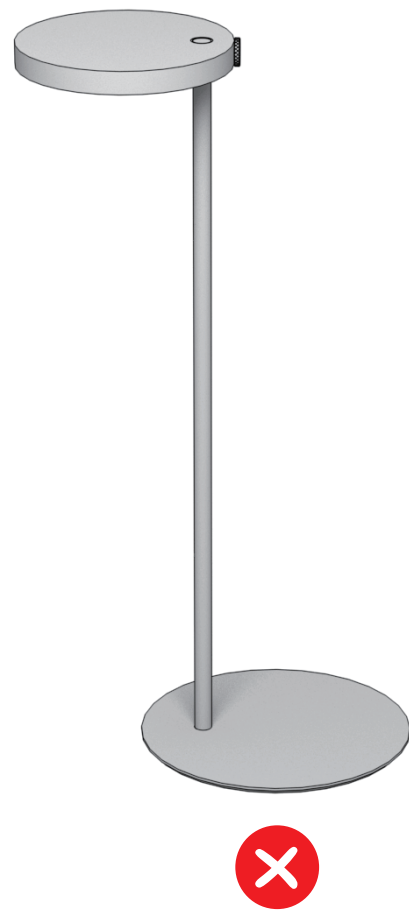
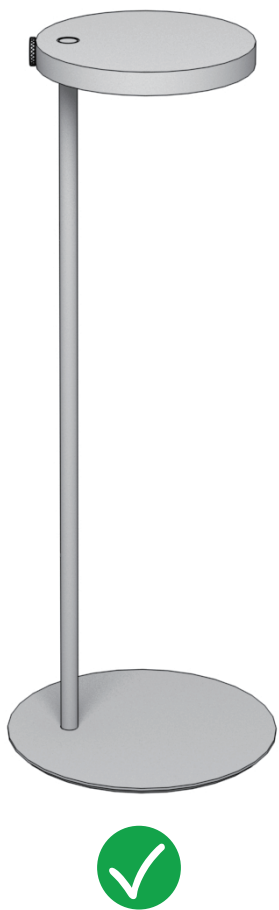
3



4



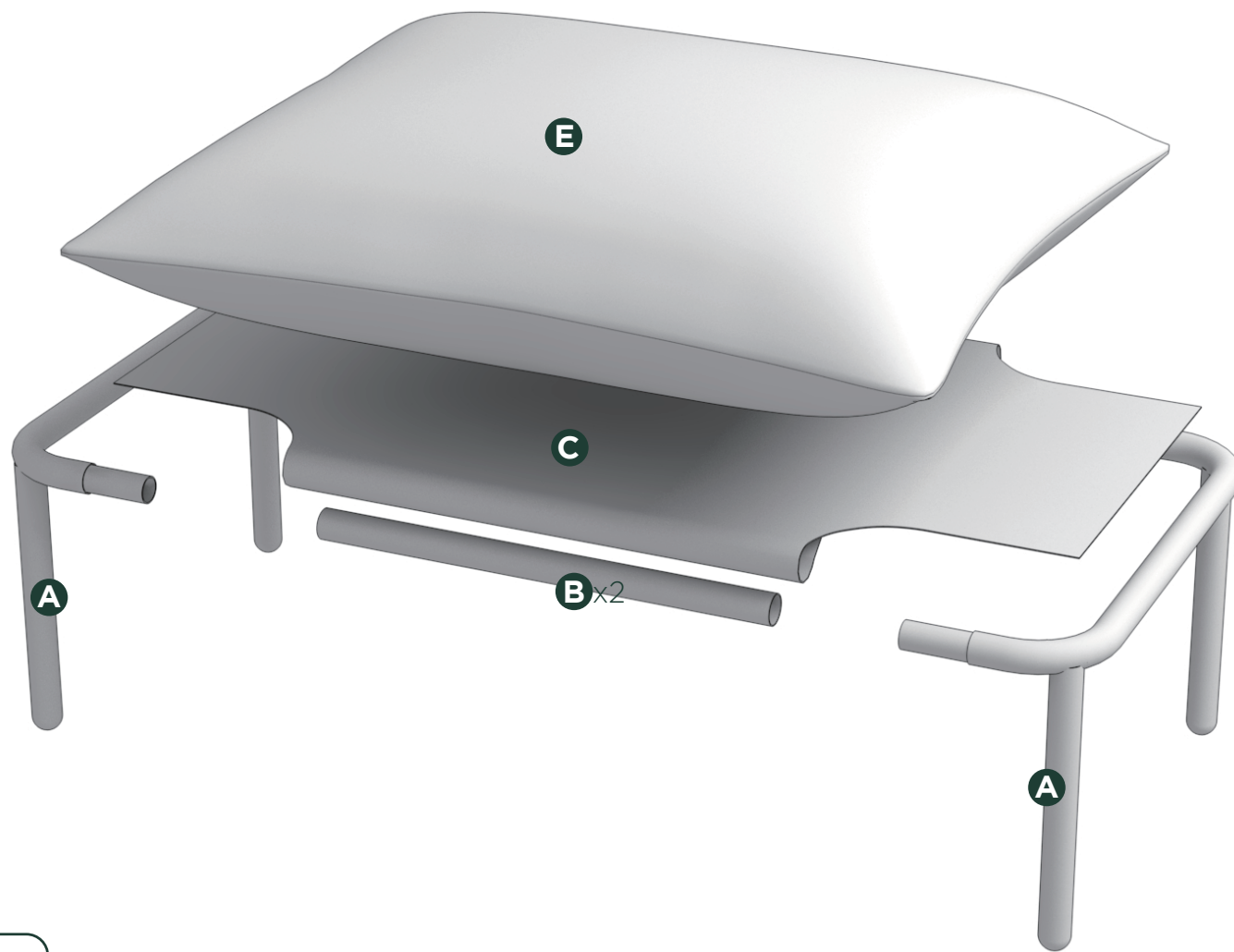
5





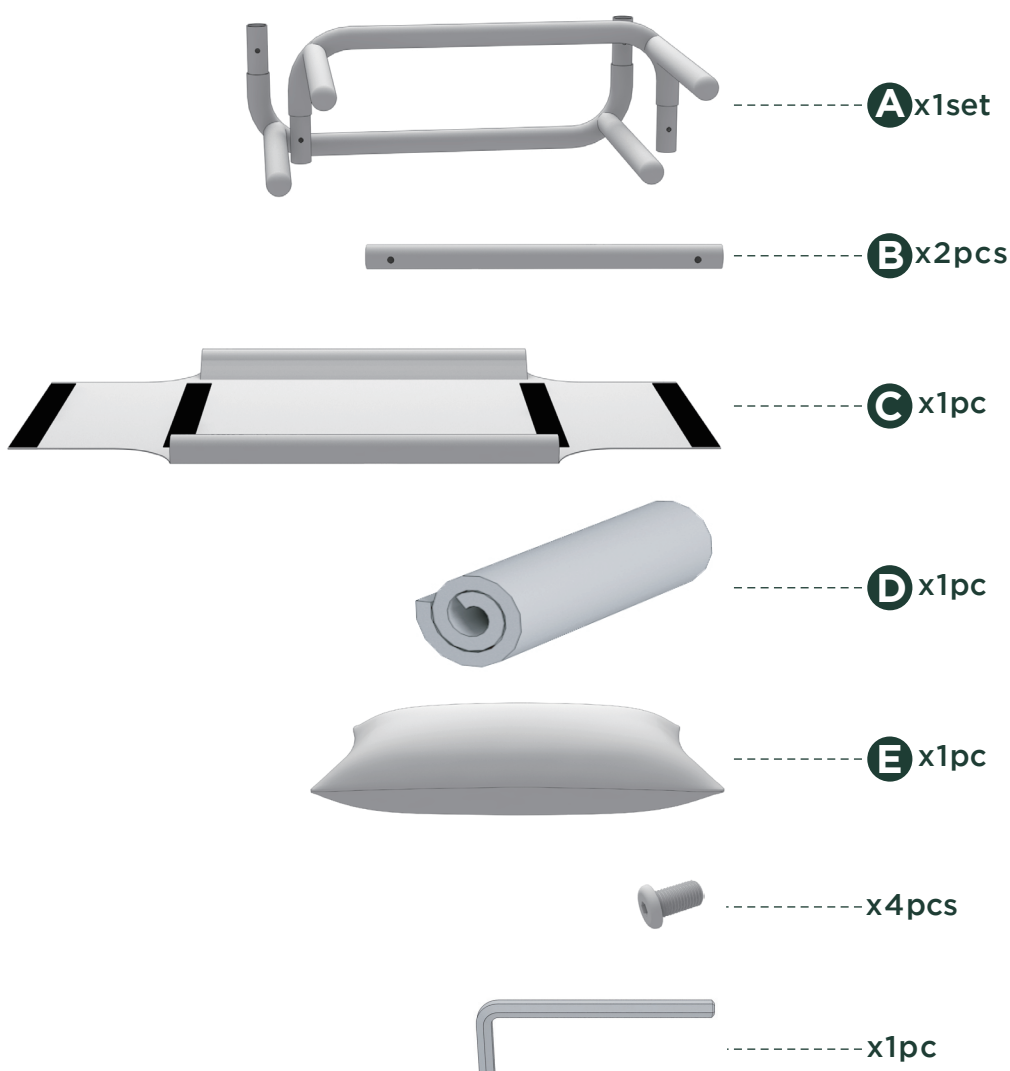
# Easy as 1-2-3 Assembly Instruction

Numbers must Match for Secure Assembly



## USHSL-3

### Components



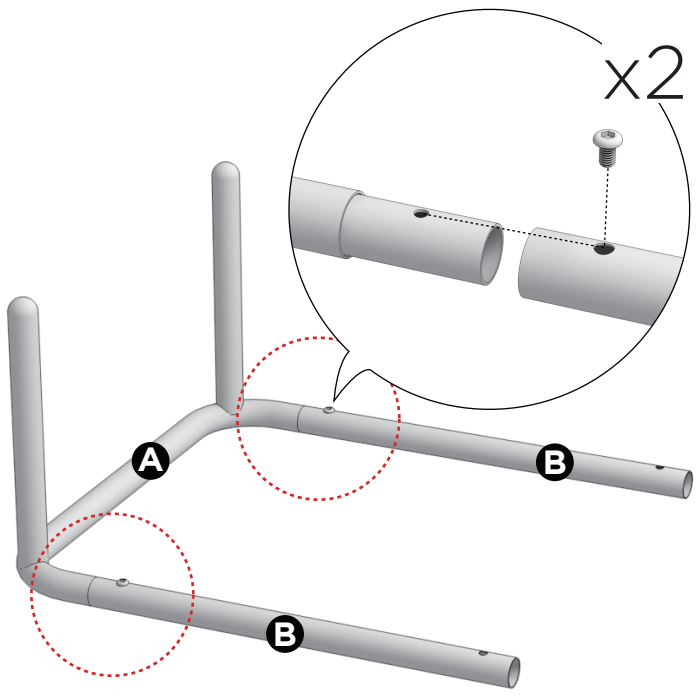
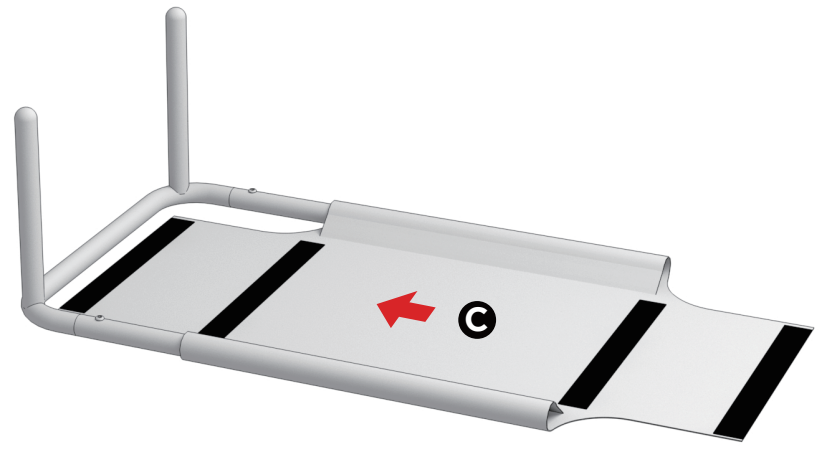
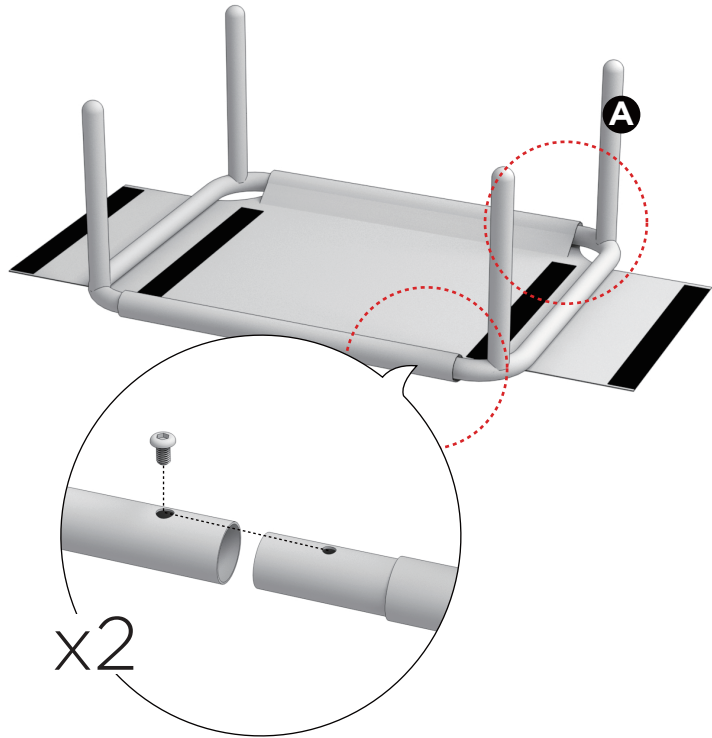
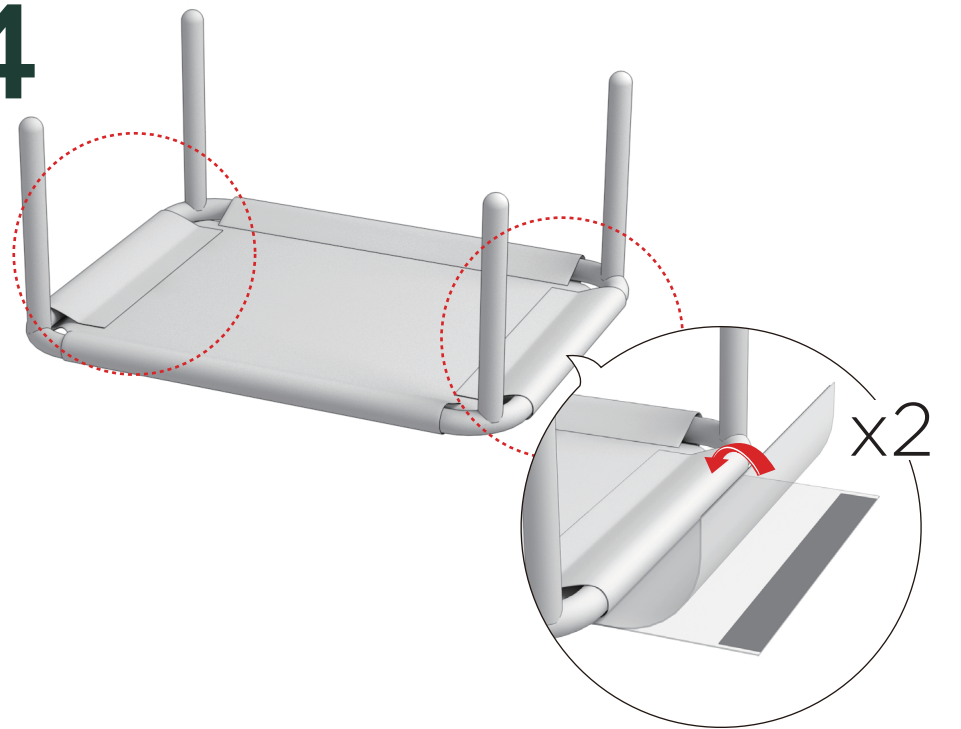
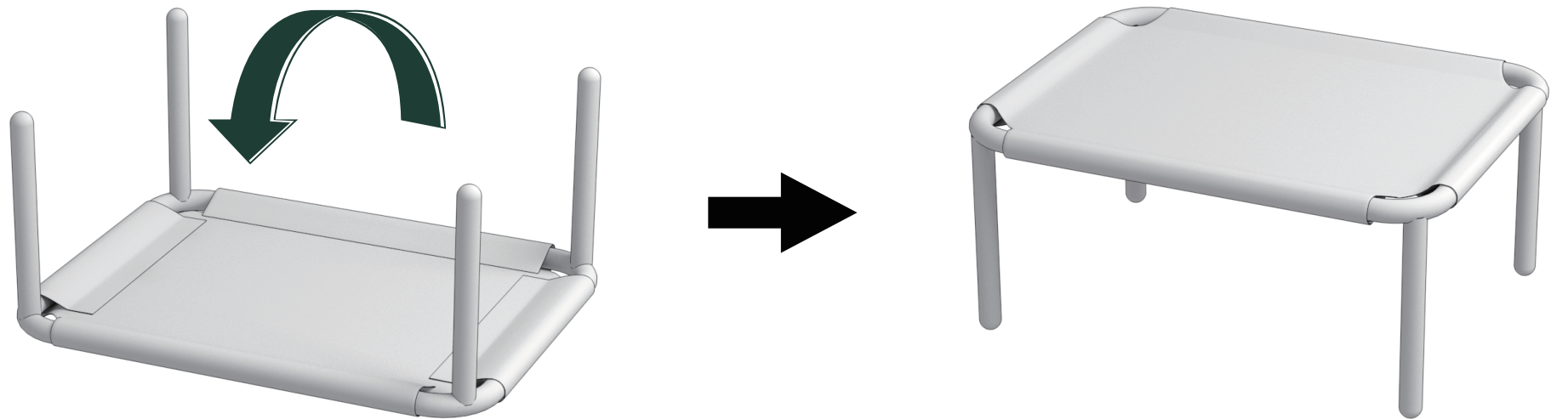
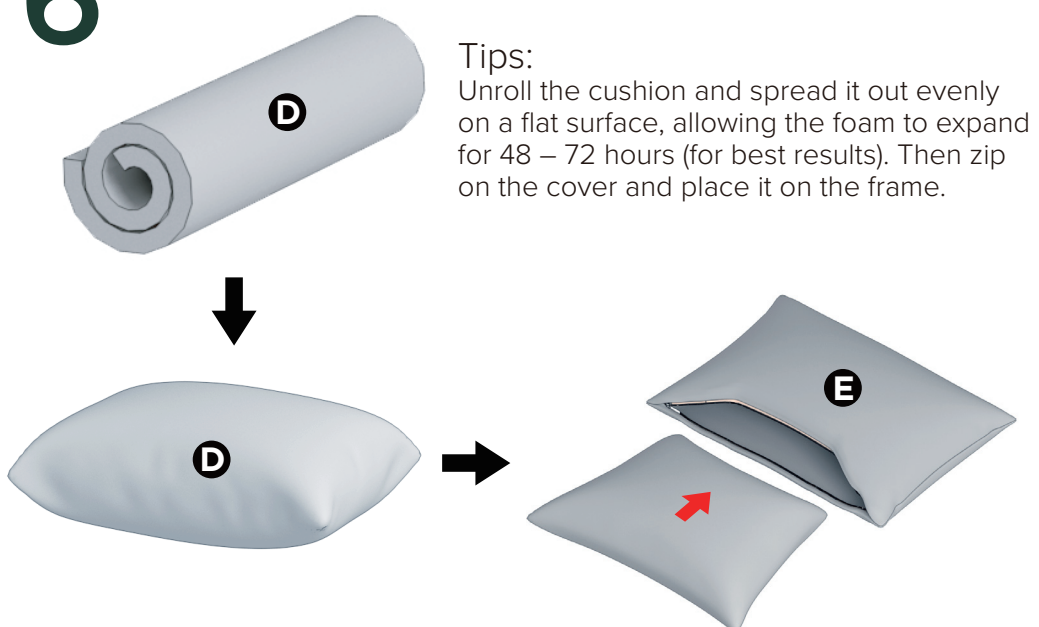
### Return Policy

ZINUS believes you will absolutely love your new addition to your home, but if for some reason you want to return the product, please contact us directly before you decide to return your product to the retailer. Our Customer Service organization can answer most concerns and can assist you with any questions you may have about your new product.

Please contact us at [support@zinusinc.com](mailto:support@zinusinc.com) for any questions on our Return Policy.

The item must be returned in good condition, in original box, with all original proof of purchase, parts and accessories, within the time frame specified by the retailer it was purchased from.

**Please visit [Zinus.com](http://Zinus.com) for warranty information on your new product.**

**1****2****3****4****5****6****7**