

details
— by BECKI OWENS

Assembly Instructions & User's Manual

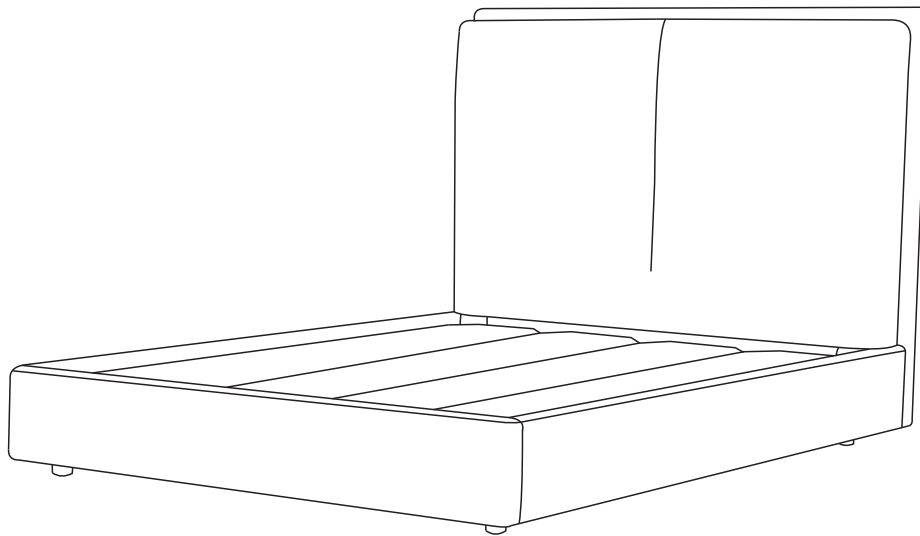
for

Becki Owens Harper Casual Modern Upholstered Queen Bed

Model Number: MM.B91009C/MM.B91009-QG

Customer Assistance (spare/replacement parts): 1-877-334-0900

or Email: ConsumerCare@ColeandRye.com



THIS ASSEMBLY MANUAL CONTAINS IMPORTANT SAFETY INFORMATION.

PLEASE READ AND KEEP FOR FUTURE REFERENCE.

Table of Contents

Quality Statement	3
Important Safety Information	3
Before Assembly	3
Product Information	4
Components	4
Assembly Steps	7
Warranty Information	10
Care & Use	10

Quality Statement

Questions or Comments?

We would love to hear about your Member's Mark experience! Visit us at: samsclub.com/membersmarkhelp

Important Safety Information

- *Please read all instructions carefully before assembling this product.*
- *Where applicable, and for your safety, assembly by an adult is strongly recommended.*
- *Use only vendor-supplied hardware to assemble this item. Using unauthorized hardware could jeopardize the structural integrity of the item.*
- *Hardware may loosen overtime. Periodically check that all connections are tight.*

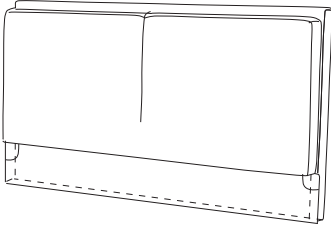
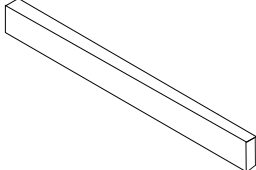
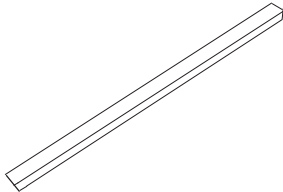


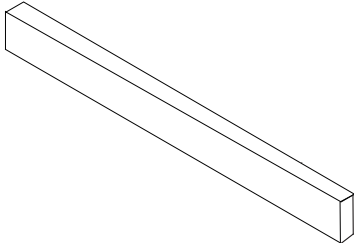
Before Assembly

- *Remove all parts and hardware from the box. Place all items on a carpeted or scratch-free work surface, as this will avoid damaging parts during assembly.*
- *The shipping box can provide an ideal work surface if none is available.*
- *Use the components and hardware lists below to identify, inventory and separate each of the hardware and components included.*
- *To avoid accidentally discarding small components or hardware, do not dispose of any packaging or contents of the shipping carton until assembly is complete.*
- *DO NOT USE power tools unless it is explicitly identified in this manual as required for use during assembly. Power tools can damage the fasteners, hardware and/or components.*
- *Do not fully tighten all fasteners / screws until all parts are in place. Failure to follow these instructions may cause the fasteners / screws to misalign during assembly.*

Product Information

Overall Dimensions: 80.70" x 61.02" (205 cm x 155 cm)

Components

Description	Quantity	
A-Upholstered Headboard	1	
B-Footboard	1	
C-Horizontal Support Slat	4	
D-Wooden Middle Leg	4	
E-Wooden Board	4	
F-Siderail	2	

Components

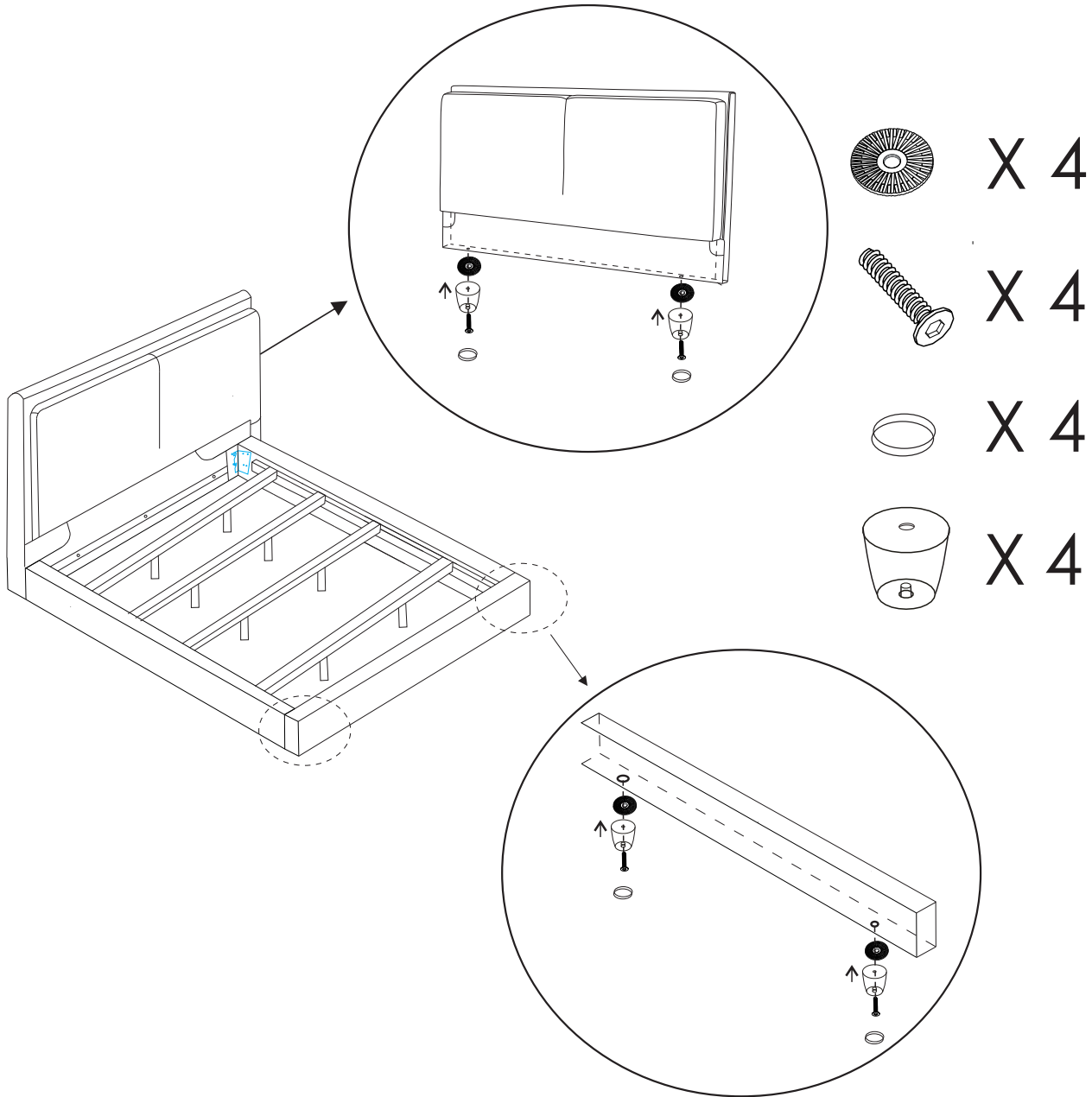
Description	Quantity	
G-Left Facing Connection Bracket	2	
I-Wooden Legs	4	
J-Right Facing Connection Bracket	2	

Components H

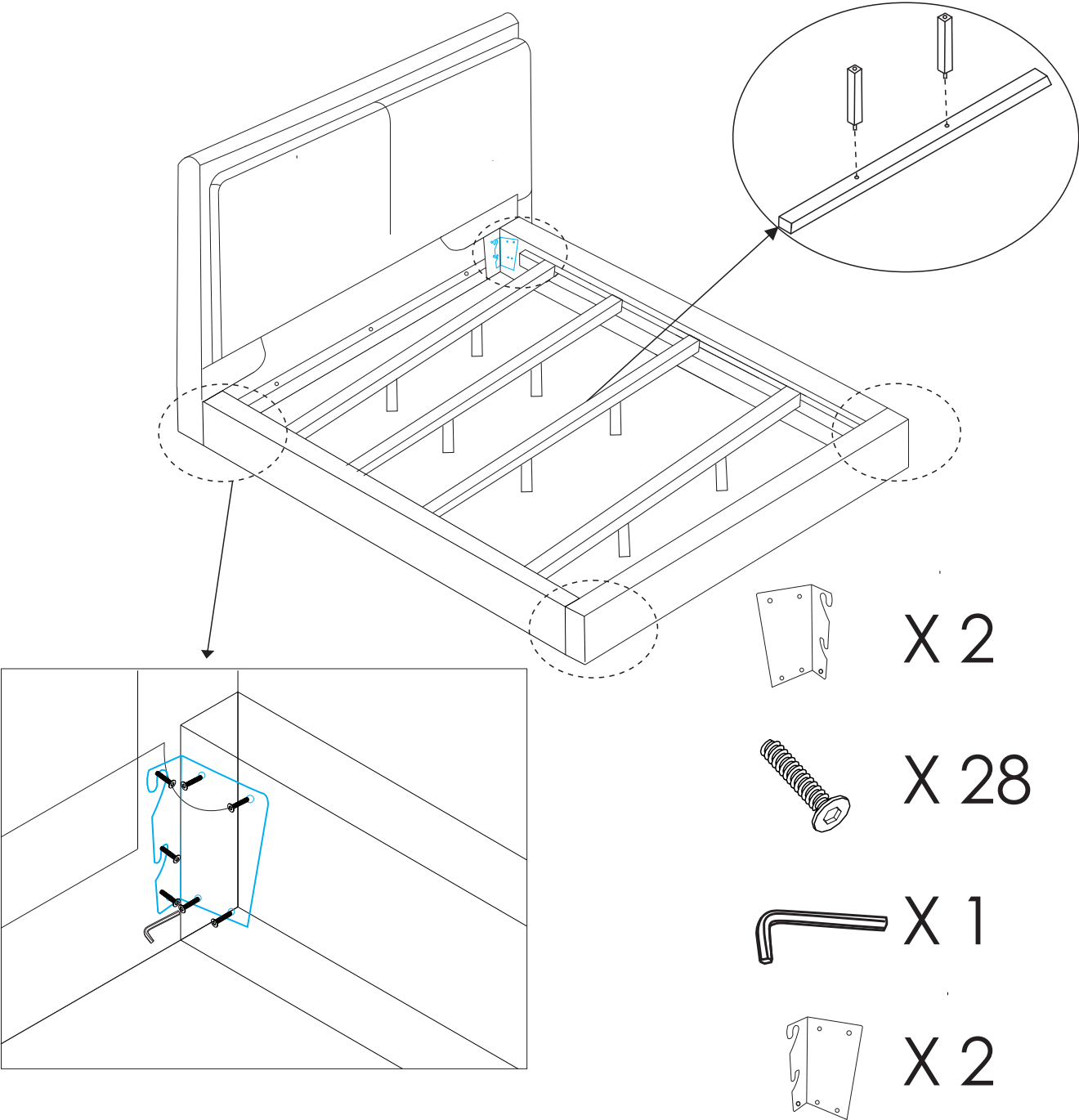
Description	Quantity	
H1-Hex-bolt	32	 A technical drawing of a hex-bolt, showing a threaded shaft with a hexagonal head.
H2-Rubber Sleeve	4	 A technical drawing of a rubber sleeve, showing a circular cross-section with a central hole and radial lines indicating its texture.
H3-Cotton Pad	4	 A technical drawing of a cotton pad, showing a simple rectangular ring shape.
H4-Allen Wrench	1	 A technical drawing of an Allen wrench, showing a long, thin shaft with a hexagonal end.

Assembly Steps

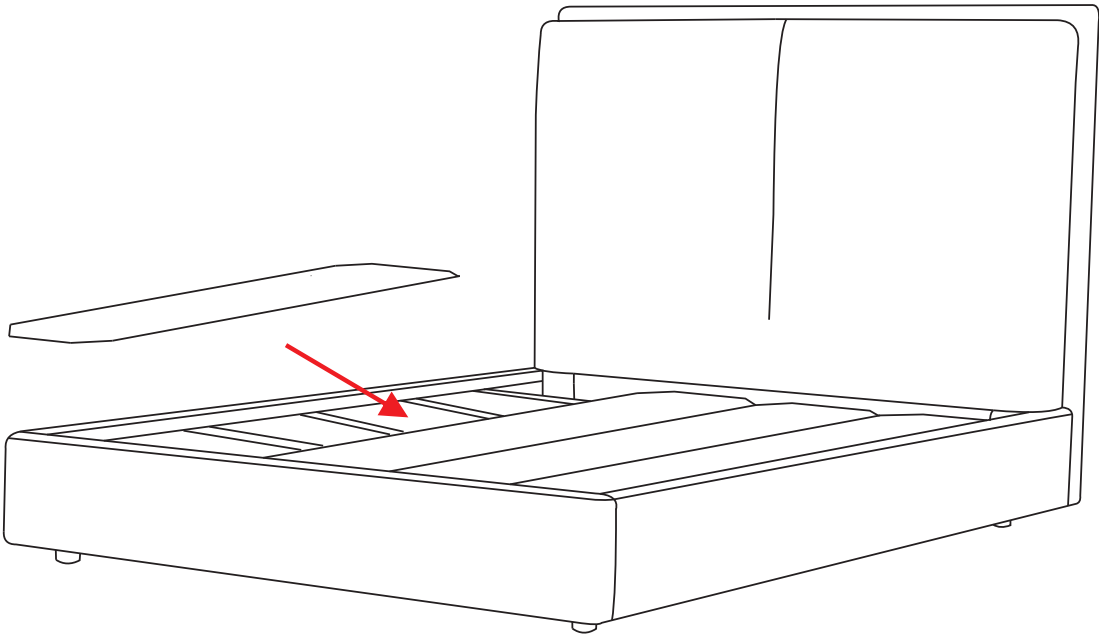
Step 1: Place Wooden Legs (J) under the Upholstered Headboard (A) and Footboard (B), using the Hex-bolts (H1) and Allen Wrench (H4). Rotate the legs in the clockwise direction to install. Attach Rubber Sleeves (H2) and Cotton Pads (H3) to the top and the base of each leg respectively.



Step 2: Align the Upholstered Headboard (A) with Footboard (B) using the Siderails (F). Attach the Left Facing Connection Brackets (G) and Right Facing Connection Brackets (I) using the Hex-bolts (H1) and Allen Wrench (H4) at all four corners of the bed frame.



Step 3: Place Wooden Boards (E) onto the bed frame.



Care & Use Instructions

Care	Water Based Cleaner "W": Spot clean cloth using only a water-based cleaning agent such a mild detergent or non-solvent upholstery shampoo product. Apply with a soft cloth in a circular motion. Vacuum when dry. Use a soft, clean cloth that will not scratch the surface when cleaning.
Use	It is recommended to not place furniture in direct sunlight and keep furniture 2 ft. / 60 cm from heat sources to avoid fading. It is recommended to not place furniture in direct sunlight and keep furniture 2 ft. / 60 cm from heat sources to avoid fading.

Warranty Information

Warranty

This product is covered by the Sam's Club Member Satisfaction Guarantee. Please visit samsclub.com for more information.

This product component has below guarantee against defects in material and/or workmanship:

- Frame (internal / external): 1 year
- Fabric / Finish / Seat Suspension / Cushioning: 1 year
- Labor: After 1st year, warranty covers only parts and materials, not labor required for repairs.

If you have any questions regarding the warranty or spare / replacement parts, please call our toll-free number **1-877-334-0900** or email us at **ConsumerCare@ColeandRye.com**

NOTE: Please consider recycling all applicable packaging material.

Distributed by Sam's West Inc.
2101 SE Simple Savings Dr.
Bentonville, Arkansas 72716-0745

Made in China

