



Assembly Instructions & User's Manual

For

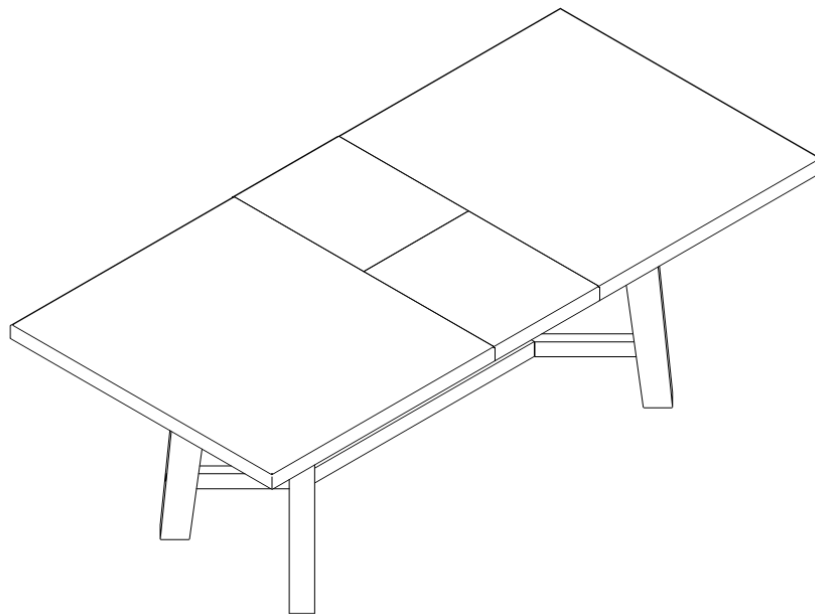
Details by Becki Owens Ren 7-Piece Expandable Dining Set, Distressed Natural - Table

Item Number: 990314015

Model Number: TP-M4-NT-7PCDI



Customer Assistance (spare/replacement parts): 1-888-406-0838

or Email: samsclub@abbysonliving.com



THIS ASSEMBLY MANUAL CONTAINS IMPORTANT SAFETY INFORMATION.
PLEASE READ AND KEEP FOR FUTURE REFERENCE.

Table of Contents

Quality Statement.....	3
Important Safety Information	3
Before Assembly.....	3
Care & Use	3
Package Contents.....	4
Product Information	4
Components	5
Hardware	5
Tools.....	5
Step 1	6
Step 2	6
Step 3	7
Step 4	8
Step 5	8
Step 6	9
Step 7	9
Step 8	9
Step 9	9
Step 10	10
Step 11	10
 Warning.....	11
 Danger	11
Troubleshooting.....	11
Care & Use Instructions	11
Storage Instructions.....	11
Warranty Information	12

Quality Statement

Questions or Comments?

We would love to hear about your Member's Mark experience! Visit us at:
samsclub.com/membersmarkhelp

Important Safety Information

- Please read all instructions carefully before assembling this product.
- Where applicable, and for your safety, assembly by an adult is strongly recommended.
- Use only vendor-supplied hardware to assemble this item. Using unauthorized hardware could jeopardize the structural integrity of the item.
- Hardware may loosen overtime. Periodically check that all connections are tight.
- Keep instructions for future use.
- Intended for residential use only.
- Keep small parts and hardware out of the reach of children

Before Assembly

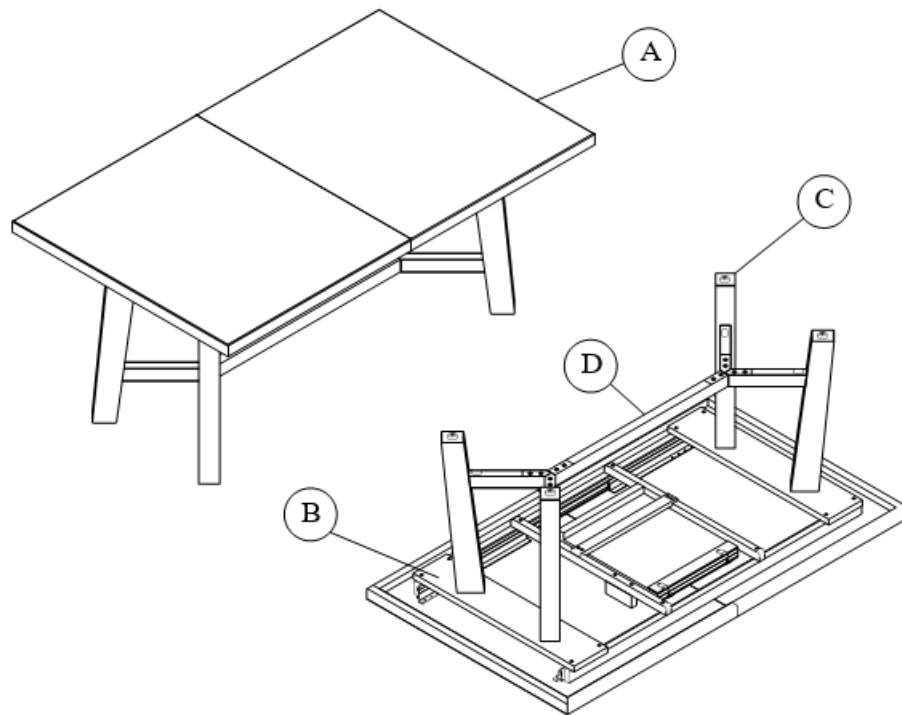
- Remove all parts and hardware from the box. Place all items on a carpeted or scratch-free work surface, as this will avoid damaging parts during assembly.
- The shipping box can provide an ideal work surface if none is available.
- Use the components and hardware lists below to identify, inventory and separate each of the hardware and components included.
- To avoid accidentally discarding small components or hardware, do not dispose of any packaging or contents of the shipping carton until assembly is complete.
- DO NOT USE power tools unless it is explicitly identified in this manual as required for use during assembly. Power tools can damage the fasteners, hardware and/or components.
- Do not fully tighten all fasteners / screws until all parts are in place. Failure to follow these instructions may cause the fasteners / screws to misalign during assembly.

Care & Use

- Wood color can fade and/ or sun bleaching can occur when exposed to direct sunlight over a long period of time.
- Avoid placing your furniture in direct sunlight.
- Rearrange accessories over time to prevent spot bleaching.
- For daily maintenance, use clean and soft rags or cloths to wipe off dust on the surface along the grains.
- Never use damp rags or anything with a hard surface to rub onto the furniture.
- Always keep surfaces clear of any acid or chemical substances.

- To avoid damage refrain from stacking large and/or heavy objects on top of the furniture.
- Avoid cleaners which use chemical products. Many of these are harsh and not safe for use on upholstery

Package Contents



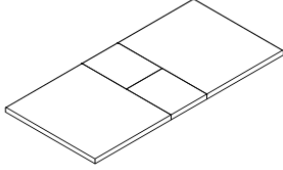
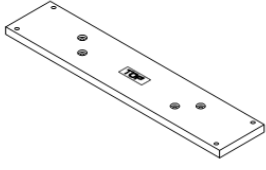

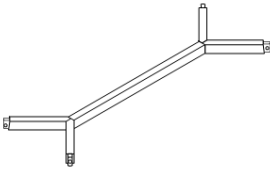
Component	Description	Quantity	Component	Description	Quantity
A	TABLE TOP	1	C	TABLE LEG	4
B	MOUNTING PLATE (Already on Table top)	2	D	STRETCHER	1

Product Information

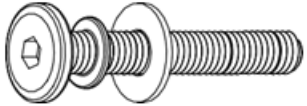
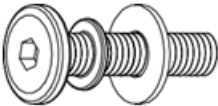
Product Dimensions : 84" x 40" x 30"H (213.4cm x 101.6cm x 76.2cm)

Product Weight Capacity : Table Supports up to 350 lbs. (158.7kg)


Components

TABLE TOP (A) Qty: 1	MOUNTING PLATE(B) (Already on Table top) Qty: 2	TABLE LEG (C) Qty: 4	STRETCHER (D) Qty: 1
			

Hardware

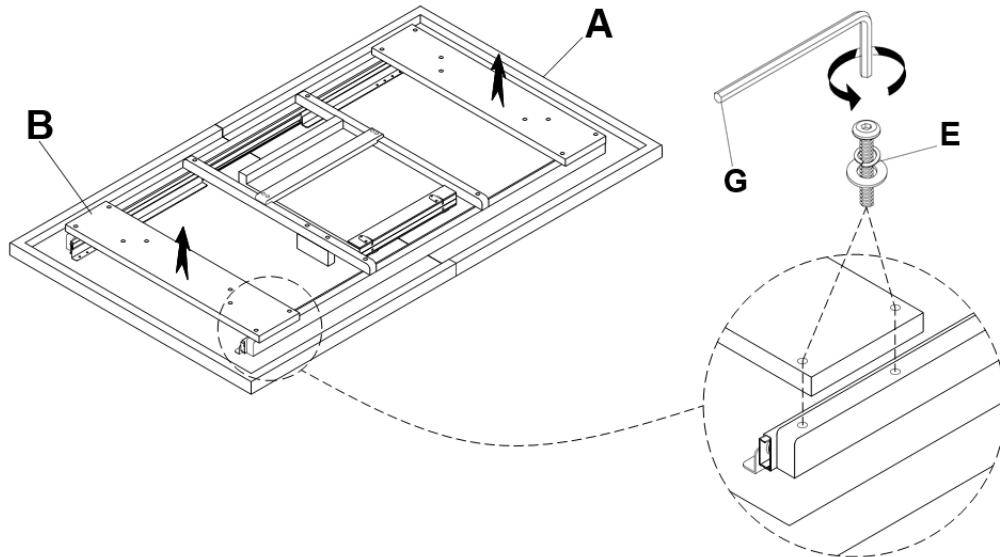
<p>Long bolt (E) Ø5/16" x 1 3/4"L spring washer Ø5/16" x 13mm flat washer Ø5/16" x 19mm Qty: 12 (+1) (+4 pcs already on Table top)</p> 	<p>Short bolt (F) Ø5/16" x 3"L spring washer Ø5/16" x 13mm flat washer Ø5/16" x 19mm Qty: 4 (+1)</p> 
---	--

Tools

<p>Allen key (G) Qty: 1</p> 	
---	--

Step 1

Remove mounting plate(B) from top table(A) by the bolt, spring washer, flat washer (E) use allen key (G).

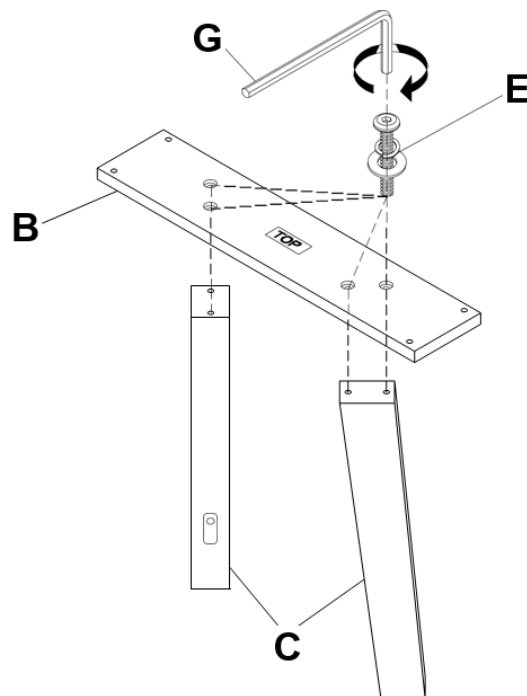


Note: Keep the bolt, spring washer, flat washer (E) for next step.

Step 2

Attach the mounting plate (B) to the corresponding holes on the table leg (C). then using the allen key (G) to tighten bolts, spring washer, flat washer (E).

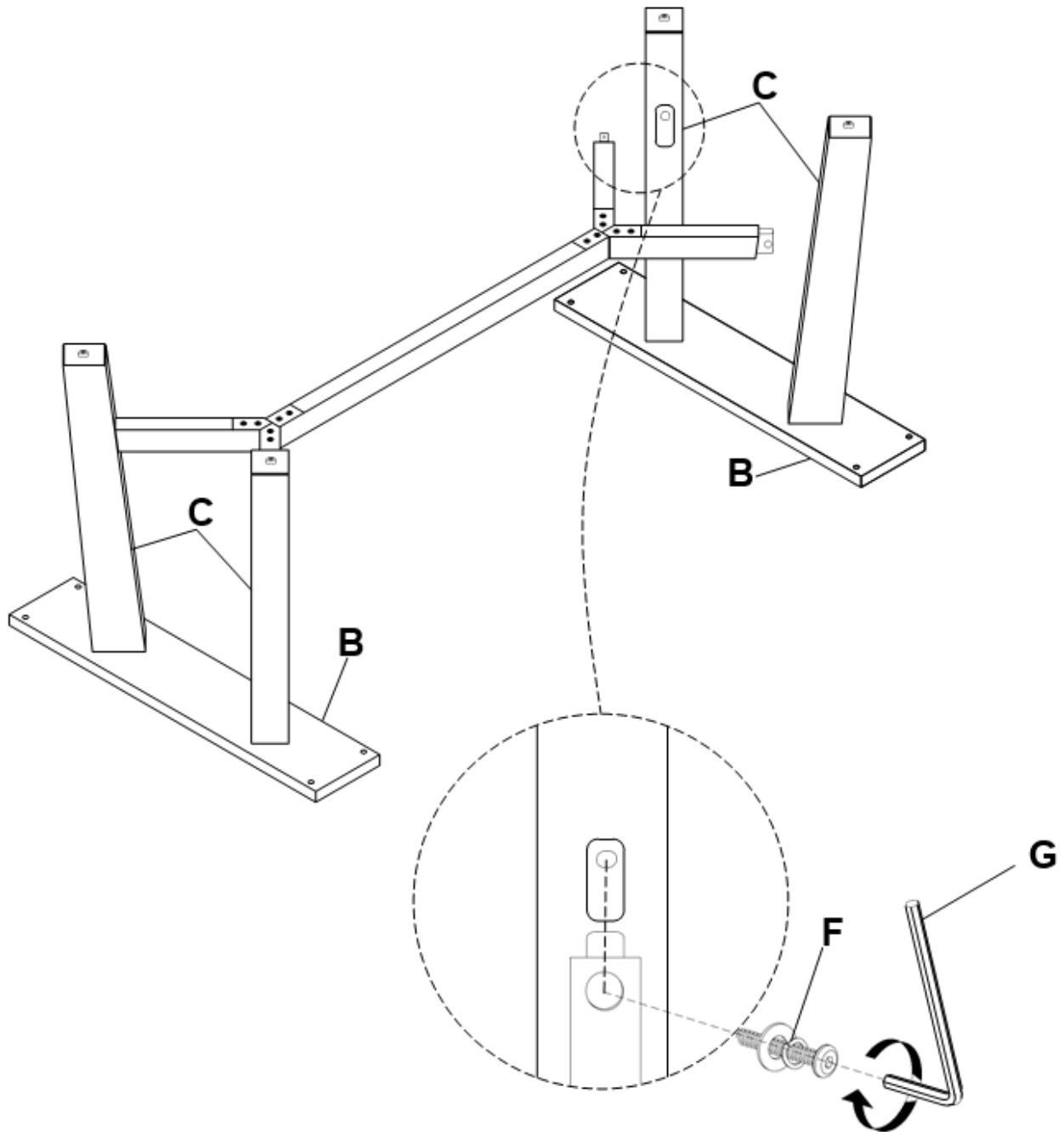
Note: don't tighten the bolts.



Step 3

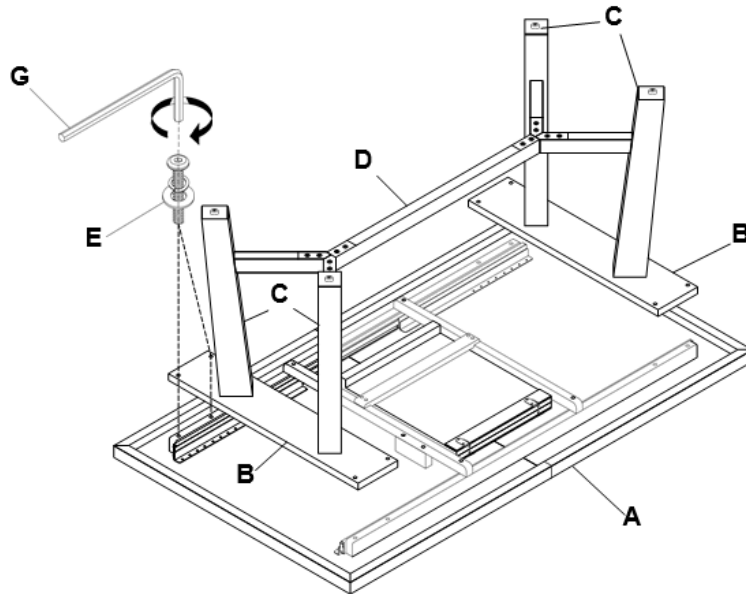
Attach the stretcher (D) to the table leg (C). then using the allen key (G) to tighten bolts, spring washer, flat washer (F).

Note: don't tighten the bolts.



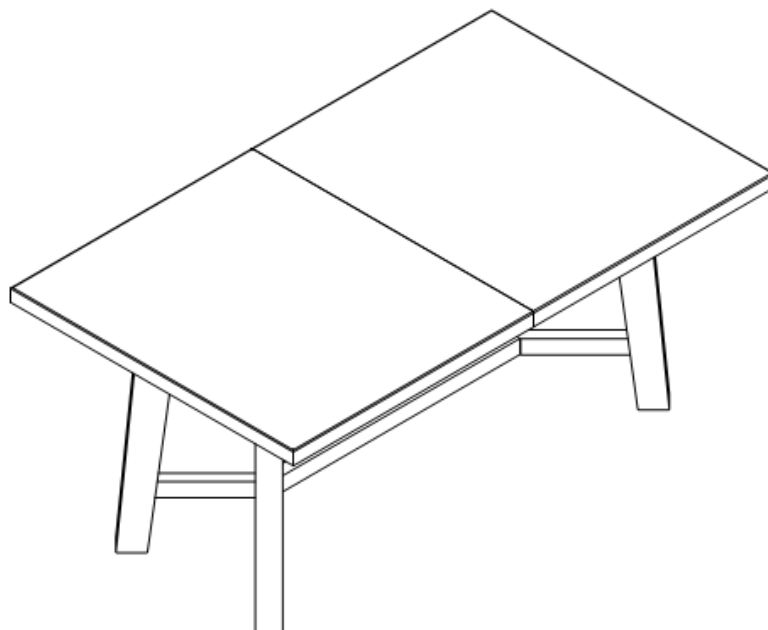
Step 4

Attach the mounting plate (B) to the corresponding holes on the table top wood frame (A). Then using the allen key (G) to tighten bolts, spring washer, flat washer (E).



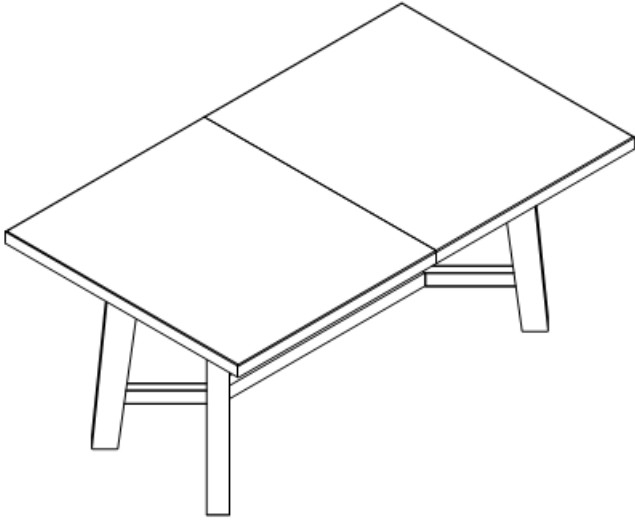
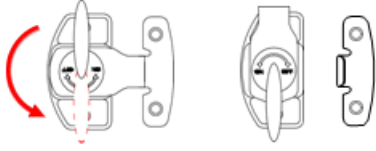
Step 5

Once all fixings are fully tightened, ask somebody to assist you with turning the table over to complete assembly.



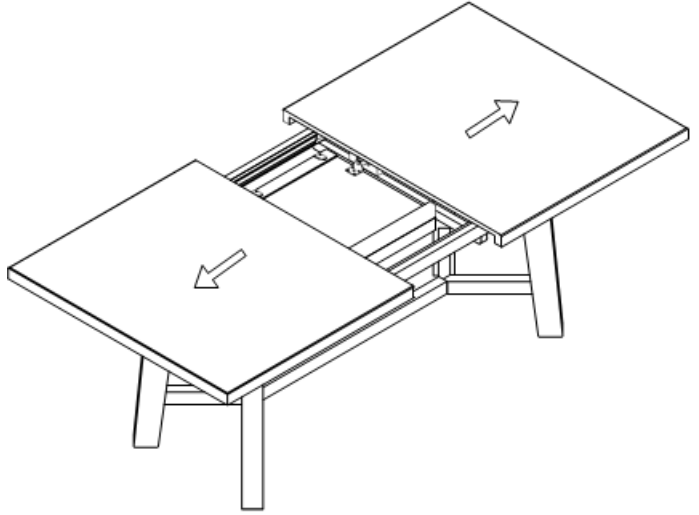
Step 6

To expand the table top, twist to unlock the key on bottom of the middle connection.



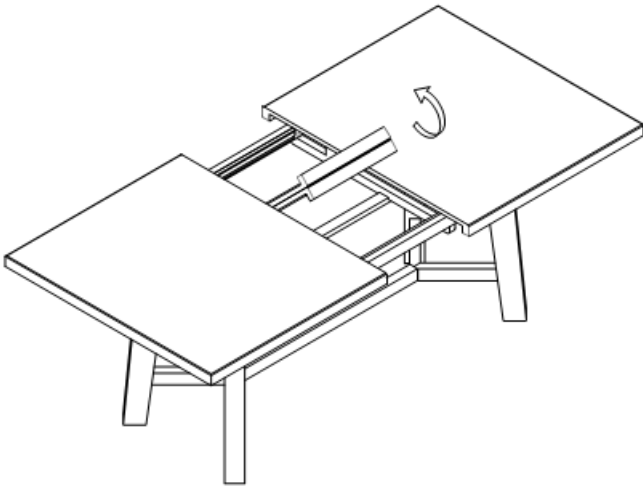
Step 7

Drag the table to both sides in the direction of the arrow



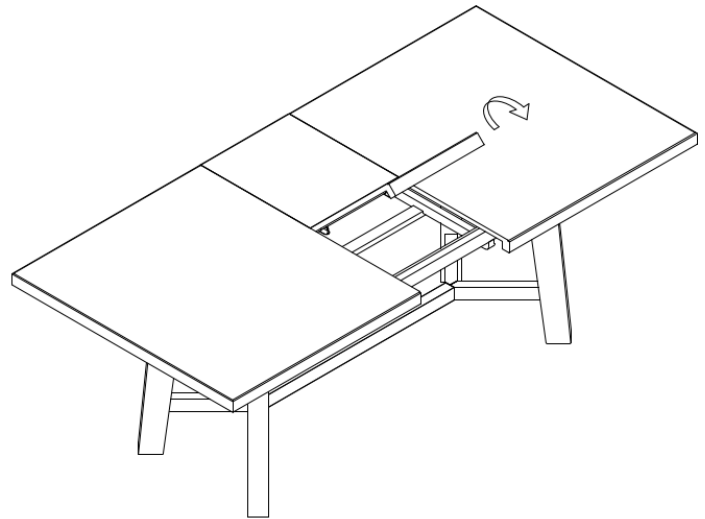
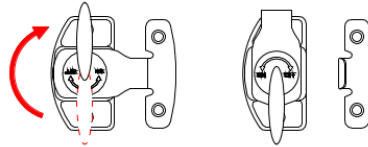
Step 8

Flip the middle panel.

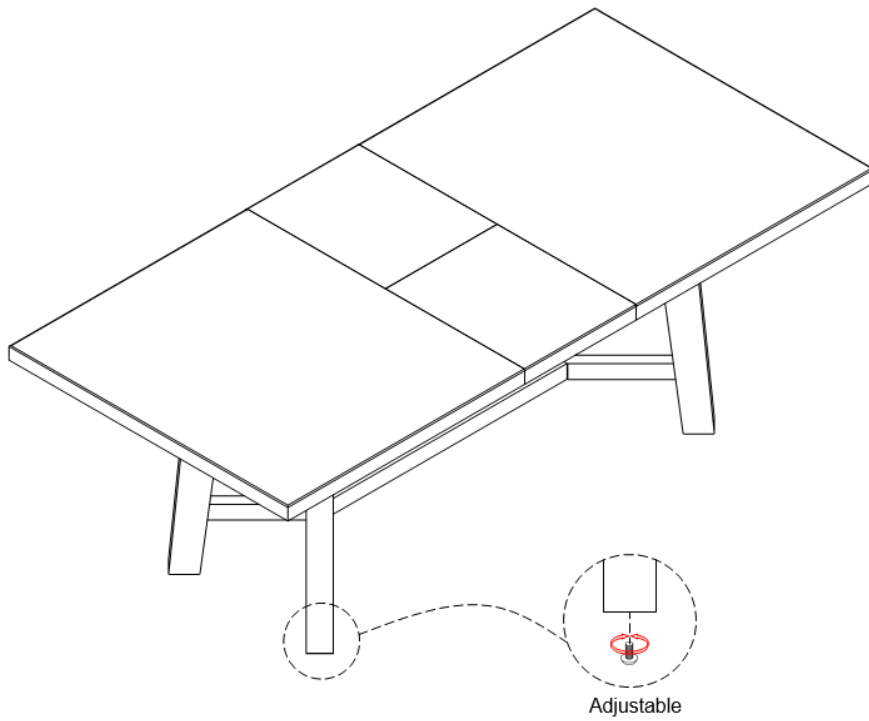


Step 9

Open and unfold the middle panel.
Twist to lock the key on bottom of the connection

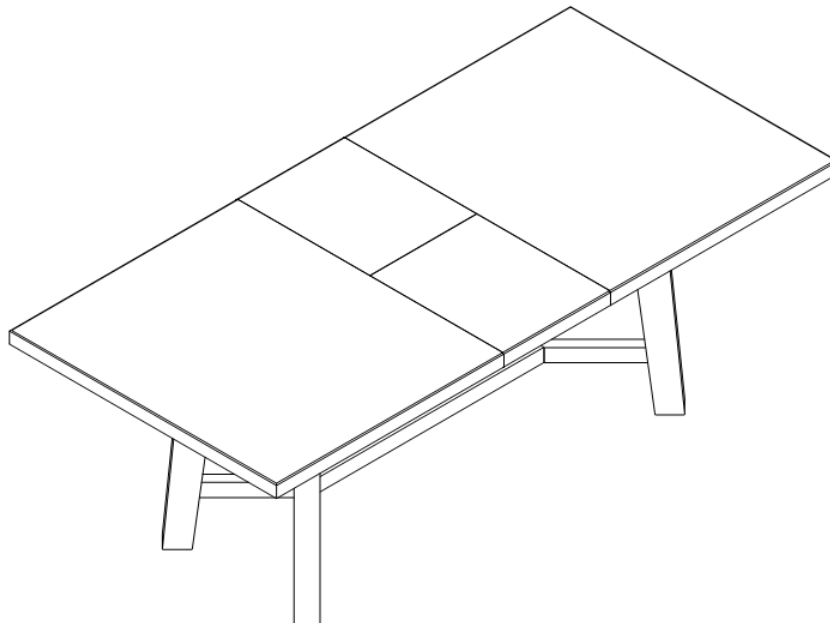


Step 10



Step 11

Assembly is complete.



Warning

- Do not use this product unless all screws and bolts are securely tightened
- Check that all screws and bolts are secure every three months or as needed
- Dispose of packing material properly. Do not use plastic cover as head covering as it may cause suffocation
- Do not use this product as a stepladder
- Use this product for intended purpose only
- Intended for residential use only.

Danger

- Please adjust the leveler before using it to avoid damage.
- Because this product is heavy weight so, please ask more people to help assembly if need
- Be care full when opening and closing slide table panel to avoid hand stuck in gap.

Troubleshooting

Problem	Possible Cause	Prevention / Solution
Tilting / Leaning	Surface not level	Orient adjustable feet until balance

Care & Use Instructions

Care	Use clean and soft rags or cloths to wipe off dust on the surface along the grains. Always keep surfaces clear of any acid or chemical substances. Avoid cleaners that use chemical products. Avoid placing furniture in direct sunlight. Avoid extreme changes in temperature by arranging furniture away from radiators, heat, and air conditioning units. Refrain from stacking large and/or heavy objects on top of the furniture. Rearrange accessories over time to prevent spot bleaching. Wood color can fade and/ or sun bleaching can occur when exposed to direct sunlight over a long period of time.
Use	The table can expand with leaf storage that increase the size of table when necessary and which can be removed again.

Storage Instructions

Item 990314015	<ol style="list-style-type: none">1. Carefully place all components into shipping box and/or provided container tape it shut.2. When not in use, please store your item in a cool, dry place away from sunlight.3. Exposing your item to excessive heat or humidity may damage your item.
---------------------------------	---

Warranty Information

Warranty

This product is covered by the Sam's Club Member Satisfaction Guarantee. Please visit samsclub.com for more information.

This product's components have a 1-year guarantee against defects in material and/or workmanship. If you have any questions regarding the warranty or spare / replacement parts, please call our toll-free number **1-888-406-0838** or email us at samsclub@abbysonliving.com

NOTE: Please consider recycling all applicable packaging material.

Distributed by Sam's West Inc.
2101 SE Simple Savings Dr.
Bentonville, Arkansas 72716-0745

Made in Viet Nam



Abbyson™

Need Assistance? Visit us at: samsclub.com/membersmarkhelp



Assembly Instructions & User's Manual

For

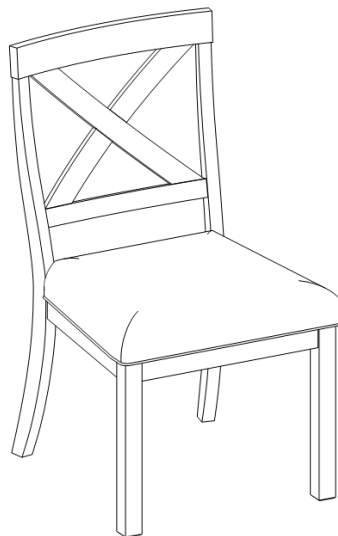
Details by Becki Owens Ren 7-Piece Expandable Dining Set, Distressed Natural - Chair

Item Number: **990314015**

Model Number: **TP-M4-NT-7PCDI**



Customer Assistance (spare/replacement parts): **1-888-406-0838**

or Email: samsclub@abbysonliving.com



THIS ASSEMBLY MANUAL CONTAINS IMPORTANT SAFETY INFORMATION.
PLEASE READ AND KEEP FOR FUTURE REFERENCE.

Table of Contents

Quality Statement.....	3
Important Safety Information.....	3
Before Assembly.....	3
Care & Use.....	3
Package Contents.....	4
Product Information.....	4
Components.....	5
Hardware.....	5
Tools.....	5
Step 1.....	6
Step 2.....	7
 Warning.....	8
 Danger.....	8
Troubleshooting.....	8
Care & Use Instructions.....	8
Storage Instructions.....	8
Warranty Information.....	9

Quality Statement

Questions or Comments?

We would love to hear about your Member's Mark experience! Visit us at:
samsclub.com/membersmarkhelp

Important Safety Information

- Please read all instructions carefully before assembling this product.
- Where applicable, and for your safety, assembly by an adult is strongly recommended.
- Use only vendor-supplied hardware to assemble this item. Using unauthorized hardware could jeopardize the structural integrity of the item.
- Hardware may loosen overtime. Periodically check that all connections are tight.
- Keep instructions for future use.
- Intended for residential use only.
- Keep small parts and hardware out of the reach of children

Before Assembly

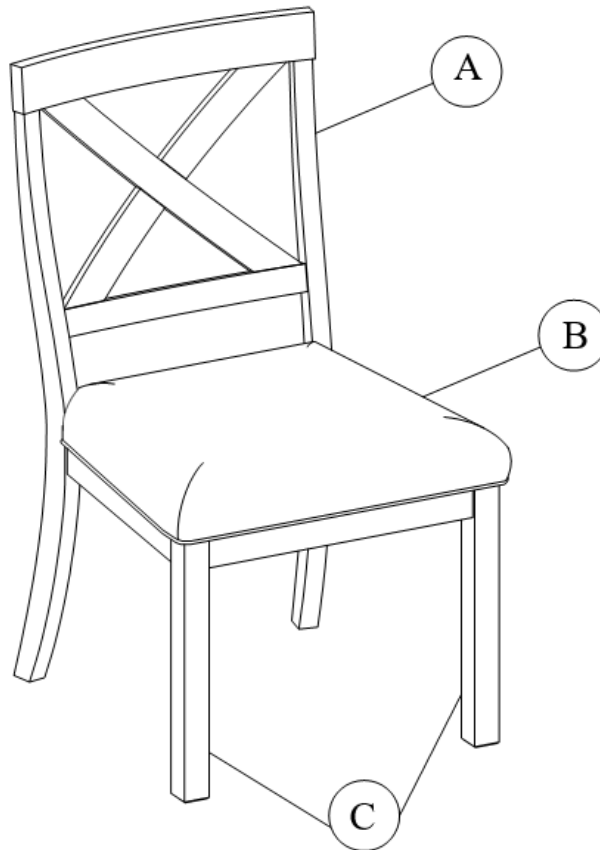
- Remove all parts and hardware from the box. Place all items on a carpeted or scratch-free work surface, as this will avoid damaging parts during assembly.
- The shipping box can provide an ideal work surface if none is available.
- Use the components and hardware lists below to identify, inventory and separate each of the hardware and components included.
- To avoid accidentally discarding small components or hardware, do not dispose of any packaging or contents of the shipping carton until assembly is complete.
- DO NOT USE power tools unless it is explicitly identified in this manual as required for use during assembly. Power tools can damage the fasteners, hardware and/or components.
- Do not fully tighten all fasteners / screws until all parts are in place. Failure to follow these instructions may cause the fasteners / screws to misalign during assembly.

Care & Use

- Wood color can fade and/ or sun bleaching can occur when exposed to direct sunlight over a long period of time.
- Avoid placing your furniture in direct sunlight.
- Rearrange accessories over time to prevent spot bleaching.
- For daily maintenance, use clean and soft rags or cloths to wipe off dust on the surface along the grains.
- Never use damp rags or anything with a hard surface to rub onto the furniture.
- Always keep surfaces clear of any acid or chemical substances.

- To avoid damage refrain from stacking large and/or heavy objects on top of the furniture.
- Avoid cleaners which use chemical products. Many of these are harsh and not safe for use on upholstery

Package Contents



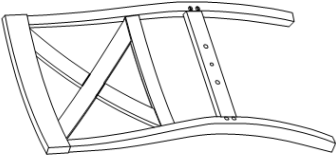
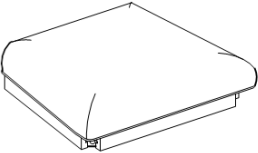
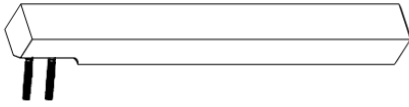
Component	Description	Quantity		Component	Description	Quantity
A	Backrest	1		C	Front leg	2
B	Seat cushion	1				

Product Information

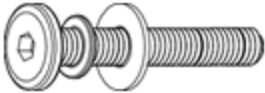
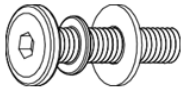



Product Dimensions : 21" x 24" x 37"H (53.4 cm x 61 cm x 94 cm)

Product Weight Capacity : **Chair Supports up to 300 lbs. (136 kg)**



Components

<p>Backrest (A) Qty: 1 x 6</p>	<p>Seat cushion (B) Qty: 1 x 6</p>	<p>Front leg (C) Qty: 2 x 6</p>
		

Hardware

<p>Long bolt (D) $\varnothing 5/16"$ x 3-1/8"L spring washer $\varnothing 5/16"$ x 13mm flat washer $\varnothing 5/16"$ x 19mm Qty: 4 x 6 (+1)</p>	<p>Short bolt (E) $\varnothing 5/16"$ x 1-1/2"L spring washer $\varnothing 5/16"$ x 13mm flat washer $\varnothing 5/16"$ x 19mm Qty: 2 x 6 (+1)</p>	<p>Hex nut (F) $\varnothing 5/16"$ Qty: 4 x 6 (+1)</p>
		
<p>Spring washer (G) $\varnothing 5/16"$ x 13mm Qty: 4 x 6 (+1)</p>	<p>Flat washer (H) $\varnothing 5/16"$ x 19mm Qty: 4 x 6 (+1)</p>	
		

Tools

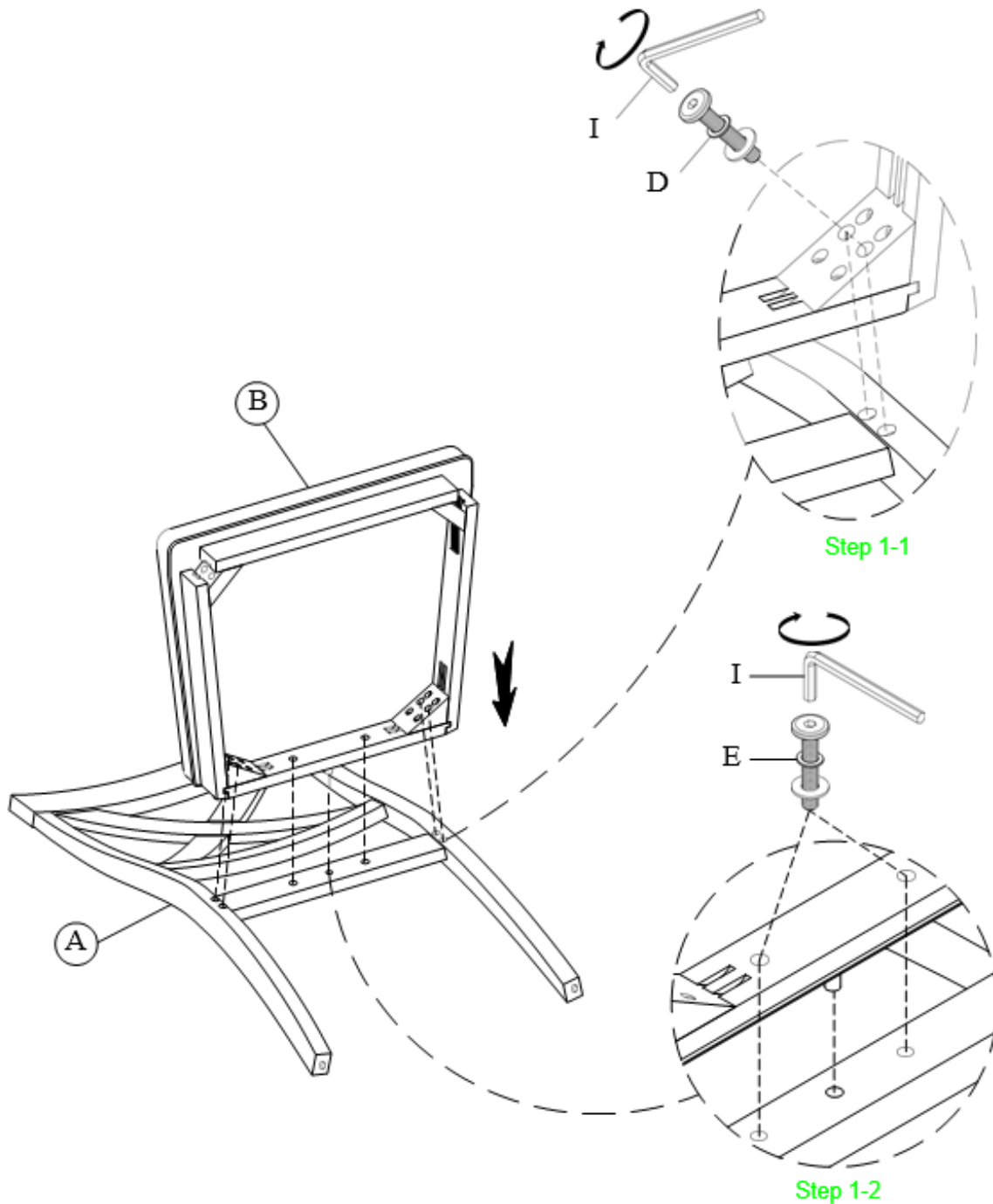
<p>Allen key (I) Qty: 1 x 2</p>	<p>Lock wrench (J) Qty: 1 x 2</p>
	

Step 1

Step 1-1: Attach the seat cushion (B) to the backrest (A), then using the Allen key (I) to tighten bolts, spring washer, flat washer (D).

Step 1-2: Attach the seat cushion (B) to the backrest (A), then using the Allen key (I) to tighten bolts, spring washer, flat washer (E).

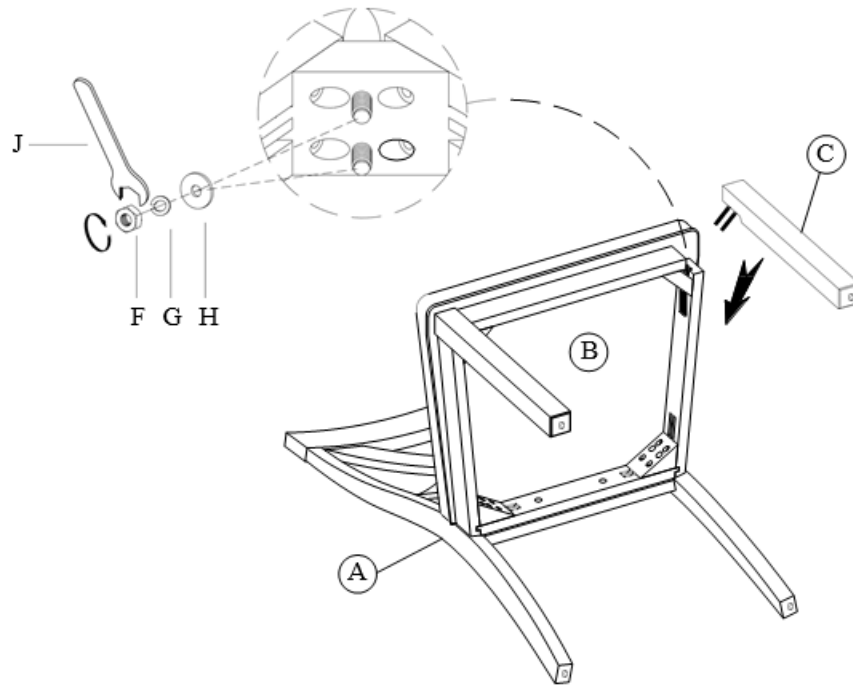
Note: Do not tighten the bolts.



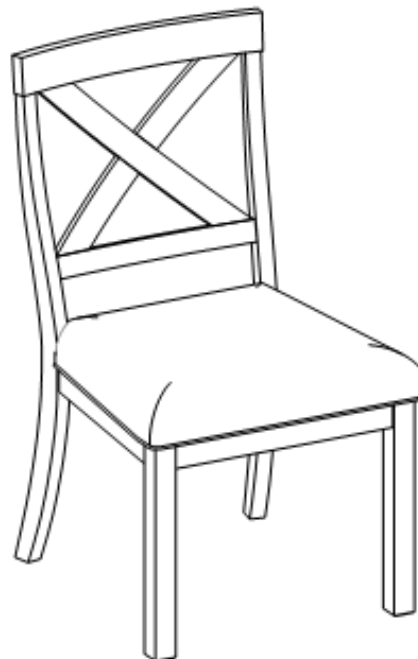
Step 2

Step 2-1: Attach the chair front leg (C) to the seat cushion (B) then using the lock wrench (J) to tighten hex nut (F), spring washer (G), flat washer (H).

Note: Tighten all bolts.



Assembly is complete.
Repeat the same procedure to
assemble the other chairs.



Warning

- Do not use this product unless all screws and bolts are securely tightened
- Check that all screws and bolts are secure every three months or as needed
- Dispose of packing material properly. Do not use plastic cover as head covering as it may cause suffocation
- Do not use this product as a stepladder
- Use this product for intended purpose only
- Intended for residential use only.

Danger

- Please adjust the glides before using it to avoid damage.
- Because this product is heavy weight so, please ask more people to help assembly if need

Troubleshooting

Problem	Possible Cause	Prevention / Solution
Tilting / Leaning	Surface not level	Orient adjustable feet until balance

Care & Use Instructions

Care	Use clean and soft rags or cloths to wipe off dust on the surface along the grains. Always keep surfaces clear of any acid or chemical substances. Avoid cleaners that use chemical products. Avoid placing furniture in direct sunlight. Avoid extreme changes in temperature by arranging furniture away from radiators, heat, and air conditioning units. Refrain from stacking large and/or heavy objects on top of the furniture. Rearrange accessories over time to prevent spot bleaching. Wood color can fade and/ or sun bleaching can occur when exposed to direct sunlight over a long period of time.
Use	These chairs are intended only for normal use with all four chair legs on the ground. The consumer not designed to be sat with only two chair legs or the other option on the ground (as from tipping back, forward, or to the side)

Storage Instructions

Item 990314015	<ol style="list-style-type: none">1. Carefully place all components into shipping box and/or provided container tape it shut.2. When not in use, please store your item in a cool, dry place away from sunlight.3. Exposing your item to excessive heat or humidity may damage your item.
---------------------------------	---

Warranty Information

Warranty

This product is covered by the Sam's Club Member Satisfaction Guarantee. Please visit samsclub.com for more information.

This product's components have a 1-year guarantee against defects in material and/or workmanship. If you have any questions regarding the warranty or spare / replacement parts, please call our toll-free number **1-888-406-0838** or email us at samsclub@abbysonliving.com

NOTE: Please consider recycling all applicable packaging material.

Distributed by Sam's West Inc.
2101 SE Simple Savings Dr.
Bentonville, Arkansas 72716-0745

Made in Viet Nam



Abbyson™

Need Assistance? Visit us at: samsclub.com/membersmarkhelp