



**Assembly Instructions & User's Manual
For**

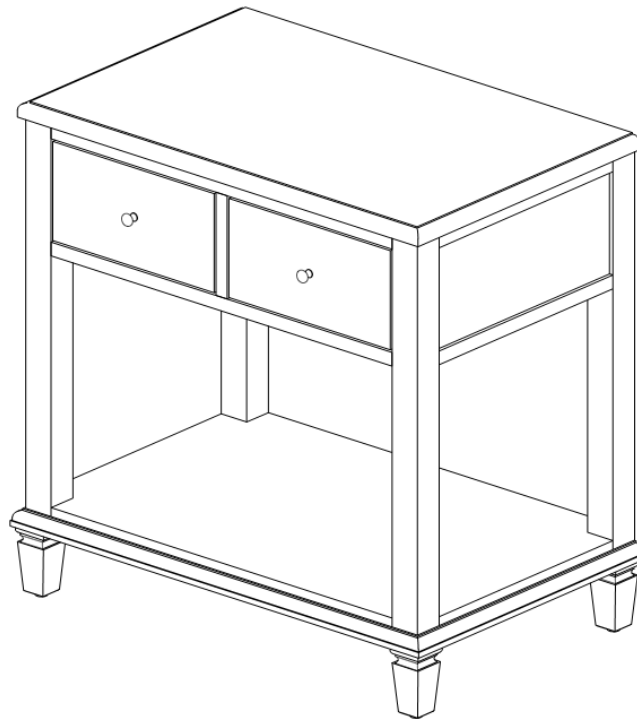
***Details by Becki Owens Ren 2-Drawer Nightstand,
Distressed Natural***

Item Number: 990314020

Model Number: TP-M4-NT-1710DI




Customer Assistance (spare/replacement parts): 1-888-406-0838

or Email: samsclub@abbysonliving.com



THIS ASSEMBLY MANUAL CONTAINS IMPORTANT SAFETY INFORMATION.
PLEASE READ AND KEEP FOR FUTURE REFERENCE.

Table of Contents

Quality Statement.....	3
Important Safety Information	3
Before Assembly.....	3
Care & Use	3
Package Contents.....	4
Product Information	4
Components	5
Hardware	5
Tools.....	5
Step 1	6
Step 2	6
Step 3	7
Step 4	7
Step 5	8
 Warning.....	9
 Danger	9
 CAUTION.....	9
Troubleshooting.....	10
Care & Use Instructions	10
Storage Instructions.....	10
Warranty Information	11

Quality Statement

Questions or Comments?

We would love to hear about your Member's Mark experience! Visit us at:
samsclub.com/membersmarkhelp

Important Safety Information

- Please read all instructions carefully before assembling this product.
- Where applicable, and for your safety, assembly by an adult is strongly recommended.
- Use only vendor-supplied hardware to assemble this item. Using unauthorized hardware could jeopardize the structural integrity of the item.
- Hardware may loosen overtime. Periodically check that all connections are tight.
- Keep instructions for future use.
- Intended for residential use only.
- Keep small parts and hardware out of the reach of children

Before Assembly

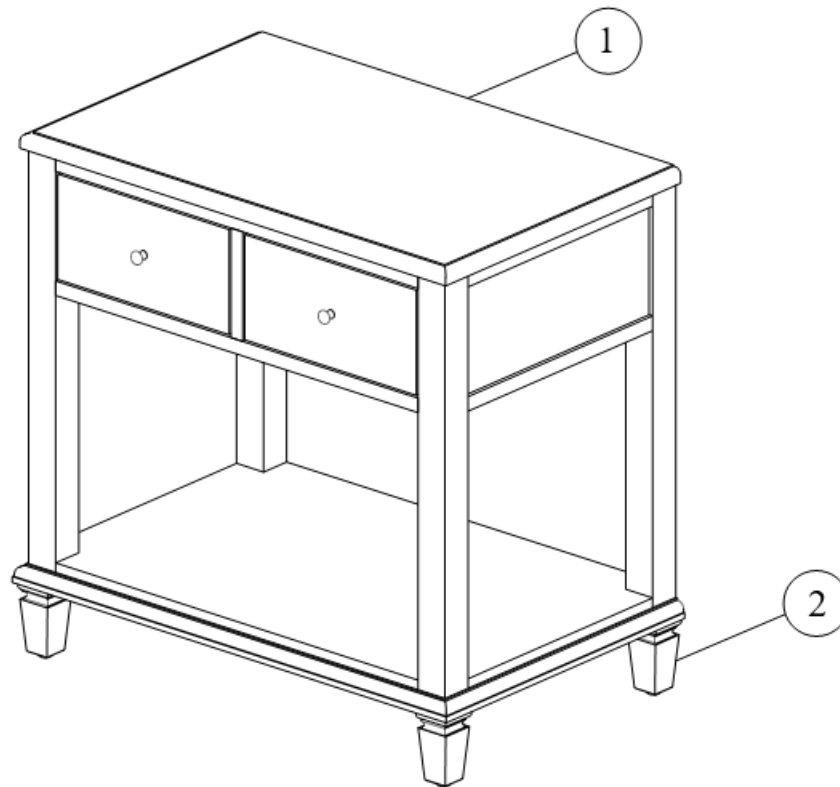
- Remove all parts and hardware from the box. Place all items on a carpeted or scratch-free work surface, as this will avoid damaging parts during assembly.
- The shipping box can provide an ideal work surface if none is available.
- Use the components and hardware lists below to identify, inventory and separate each of the hardware and components included.
- To avoid accidentally discarding small components or hardware, do not dispose of any packaging or contents of the shipping carton until assembly is complete.
- DO NOT USE power tools unless it is explicitly identified in this manual as required for use during assembly. Power tools can damage the fasteners, hardware and/or components.
- Do not fully tighten all fasteners / screws until all parts are in place. Failure to follow these instructions may cause the fasteners / screws to misalign during assembly.

Care & Use

- Wood color can fade and/ or sun bleaching can occur when exposed to direct sunlight over a long period of time.
- Avoid placing your furniture in direct sunlight.
- Rearrange accessories over time to prevent spot bleaching.
- For daily maintenance, use clean and soft rags or cloths to wipe off dust on the surface along the grains.
- Never use damp rags or anything with a hard surface to rub onto the furniture.
- Always keep surfaces clear of any acid or chemical substances.

- To avoid damage refrain from stacking large and/or heavy objects on top of the furniture.
- Avoid cleaners which use chemical products. Many of these are harsh and not safe for use on upholstery

Package Contents

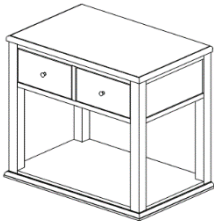



Component	Description	Quantity	Component	Description	Quantity
1	Nightstand	1	2	Nightstand - Foot	4



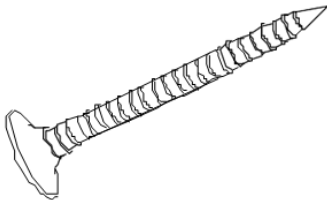

Product Information

Product Dimensions : 28" x 18" x 26.5"H (71.12cm x 45.72cm x 67.31cm)
 Product Weight Capacity : Supports up to 50 lbs. (22.68 kg)
 Drawer Weight Capacity : Supports up to 25 lbs. (11.34 kg)
 Shelf Weight Capacity : Supports up to 50 lbs. (22.68 kg)

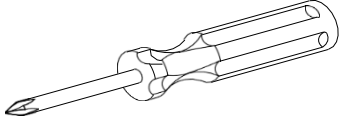
Components

<p>Nightstand (1) Qty: 1</p>	<p>Nightstand - Foot (2) Qty: 4</p>
	

Hardware

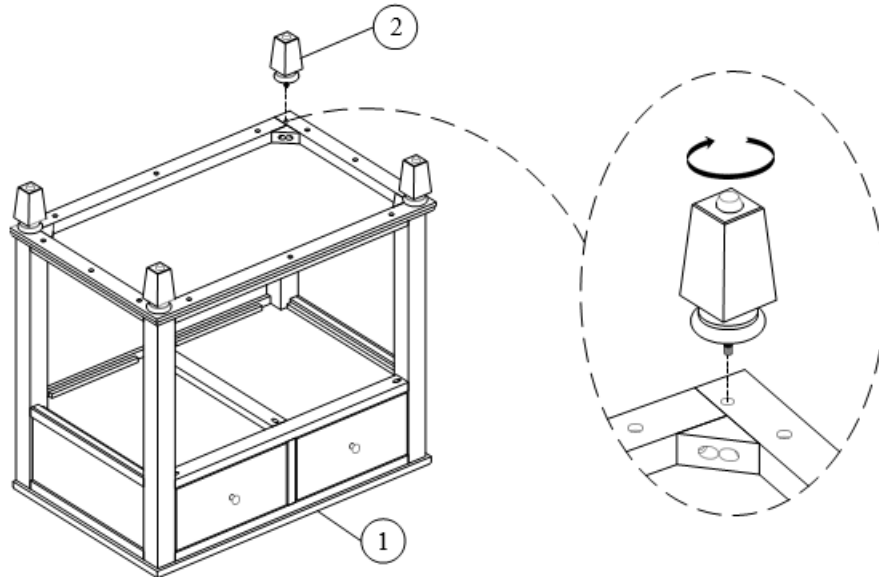
<p>Metal bracket (A) Qty: 2</p> 	<p>Short screw (B) Qty: 1</p> 
<p>Long screw (C) Qty: 1</p> 	<p>Steel cable (D) Qty: 1</p> 

Tools

<p>Screwdriver (not included)</p>	
	

Step 1

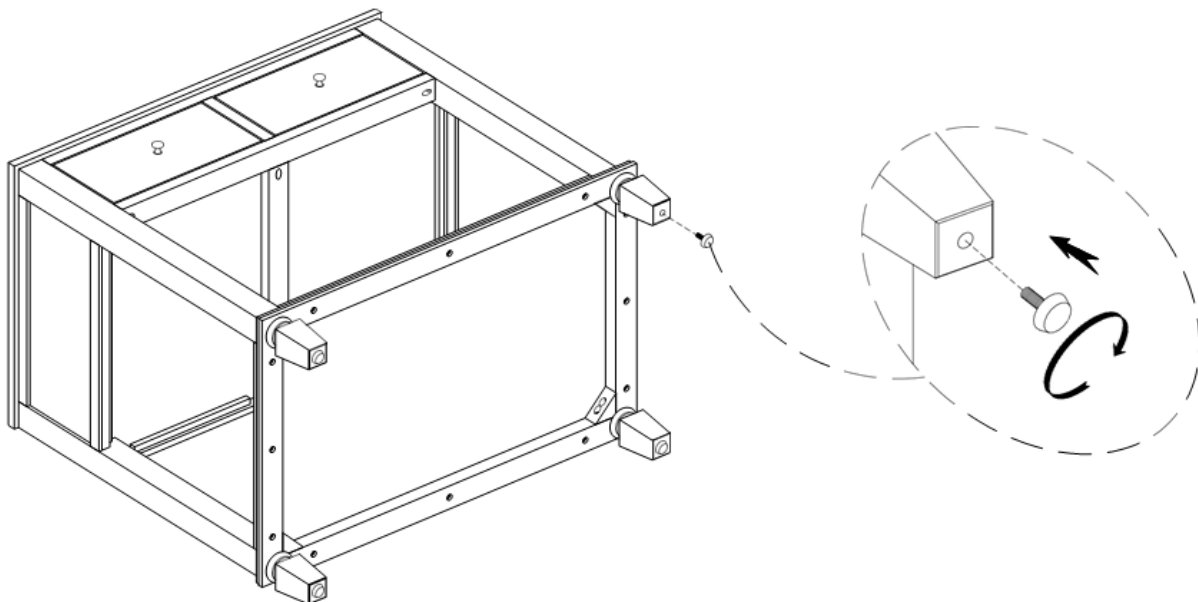
Stand the assembled unit upright on a flat surface, then attach the foot (2) to the nightstand (1) as shown below.



Step 2

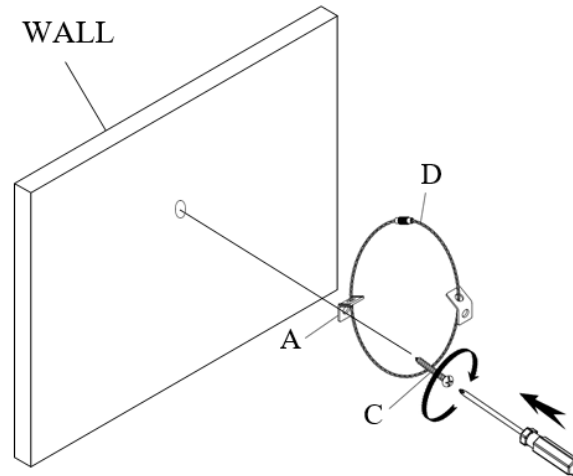
Adjust leveler

Your nightstand has legs or **feet**, the levelers will be on the bottom. Tilt the item back to locate them. Remember, it's the leveler - not the leg or foot - that needs to be adjusted to level your nightstand.



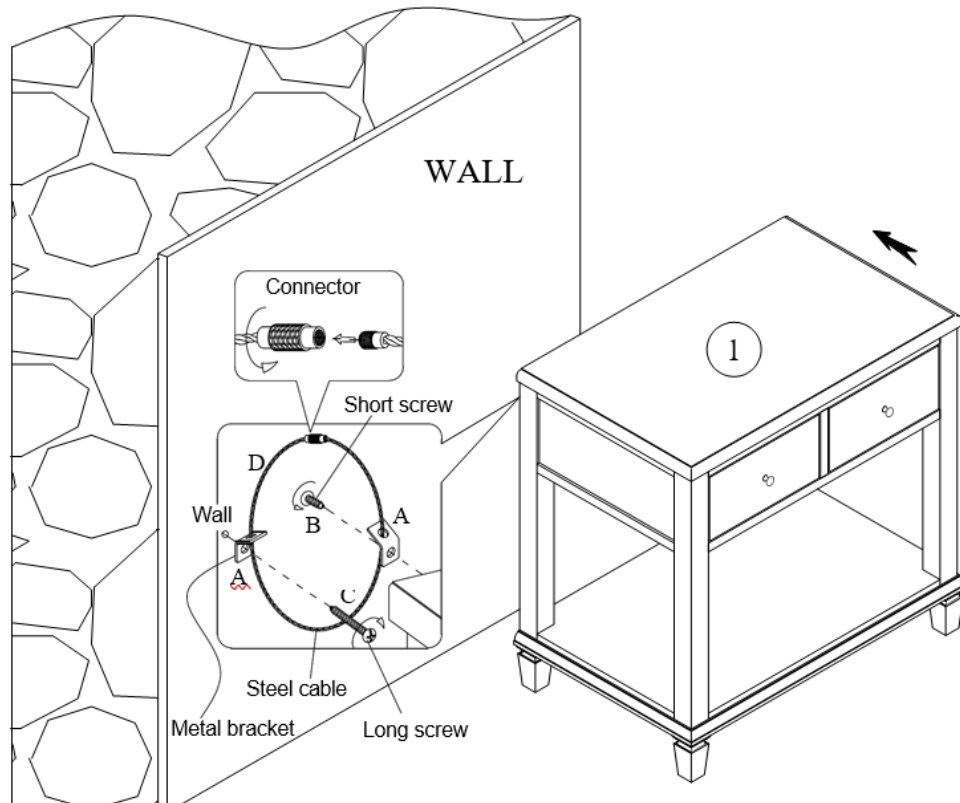
Step 3

Use long screw (C) to secure one metal bracket (A) to the wall.



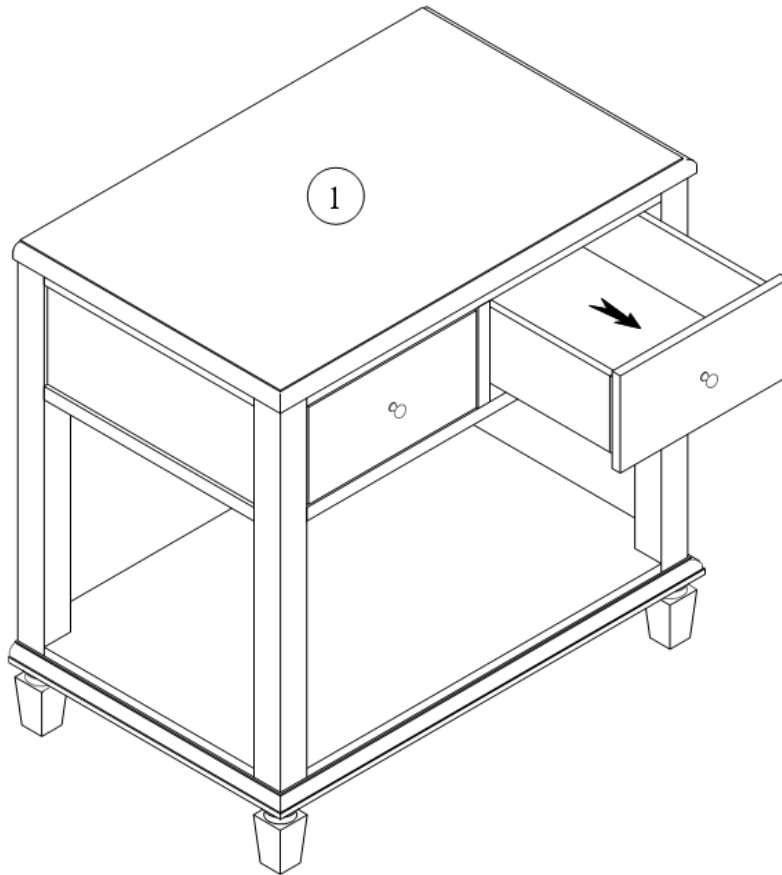
Step 4

Use short screw (B) and screwdriver to secure secondary metal bracket (A) to the back of nightstand (1). Wait to attach steel cable (D).



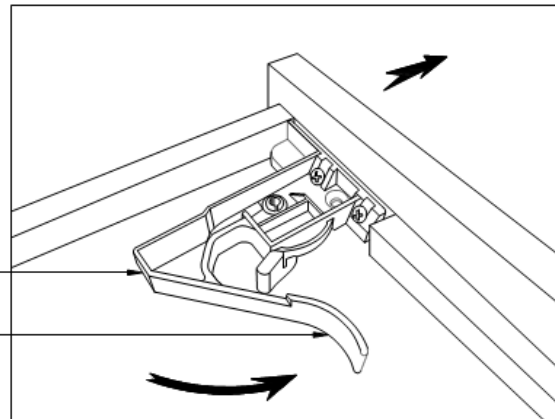
Step 5

Drawer.



adjustment clips




release levers



- a. If you need to remove the drawer, please press the release levers on the mechanisms pre-attached underneath the drawer kit at both ends.
- b., If necessary, you can push the adjustment clips on the bottom mechanisms to adjust the top and bottom gaps of the drawer.

Warning

- Do not use this product unless all screws and bolts are securely tightened
- Check that all screws and bolts are secure every three months or as needed
- Dispose of packing material properly. Do not use plastic cover as head covering as it may cause suffocation
- Do not use this product as a stepladder
- Use this product for intended purpose only
- Intended for residential use only.

 WARNING	
	Children have died from furniture tip-over. To reduce the risk of furniture tip-over: <ul style="list-style-type: none">• ALWAYS install tip-over restraint provided.• NEVER put a TV on this product.• NEVER allow children to stand, climb or hang on drawers, doors, or shelves.• NEVER open more than one drawer at a time.• Place heaviest items in the lowest drawers.
	<p><i>This is a permanent label. Do not remove!</i></p>

Danger

- Please adjust the leveler before using it to avoid damage.
- Because this product is heavy weight so, please ask more people to help assembly if need
- Be care full when **opening** and **closing** slide table panel to avoid hand stuck in gap.

CAUTION:

Changes or modifications not expressly approved by the party responsible for compliance could void the user's authority to operate the equipment.

Note: This equipment has been tested and found to comply with the limits for a Class B digital device, pursuant to part 15 of the FCC Rules. These limits are designed to provide reasonable protection against harmful interference in a residential installation. This equipment generates, uses and can radiate radio

frequency energy and, if not installed and used in accordance with the instructions, may cause harmful interference to radio communications. However, there is no guarantee that interference will not occur in a particular installation. If this equipment does cause harmful interference to radio or television reception, which can be determined by turning the equipment off and on, the user is encouraged to try to correct the interference by one or more of the following measures:

- *Reorient or relocate the receiving antenna.*
- *Increase the separation between the equipment and receiver.*
- *Connect the equipment into an outlet on a circuit different from that to which the receiver is connected.*
- *Consult the dealer or an experienced radio/TV technician for help.*

Troubleshooting

Problem	Possible Cause	Prevention / Solution
Tilting / Leaning	Surface not level	Orient adjustable feet until balance

Care & Use Instructions

Care	Use clean and soft rags or cloths to wipe off dust on the surface along the grains. Always keep surfaces clear of any acid or chemical substances. Avoid cleaners that use chemical products. Avoid placing furniture in direct sunlight. Avoid extreme changes in temperature by arranging furniture away from radiators, heat, and air conditioning units. Refrain from stacking large and/or heavy objects on top of the furniture. Rearrange accessories over time to prevent spot bleaching. Wood color can fade and/ or sun bleaching can occur when exposed to direct sunlight over a long period of time.
Use	The nightstand used to hold items that are useful at night, such as a table lamp, reading matter, cell phone, eyeglasses, tissues, a drink, or medication.

Storage Instructions

Item 990314020	<ol style="list-style-type: none"> 1. Carefully place all components into shipping box and/or provided container tape it shut. 2. When not in use, please store your item in a cool, dry place away from sunlight. 3. Exposing your item to excessive heat or humidity may damage your item.
---------------------------------	---

Warranty Information

Warranty

This product is covered by the Sam's Club Member Satisfaction Guarantee. Please visit samsclub.com for more information.

This product's components have a 1-year guarantee against defects in material and/or workmanship. If you have any questions regarding the warranty or spare / replacement parts, please call our toll-free number **1-888-406-0838** or email us at samsclub@abbysonliving.com

NOTE: Please consider recycling all applicable packaging material.

Distributed by Sam's West Inc.
2101 SE Simple Savings Dr.
Bentonville, Arkansas 72716-0745

Made in Viet Nam



Abbyson™

Need Assistance? Visit us at: samsclub.com/membersmarkhelp