

Assembly Instructions & User's Manual

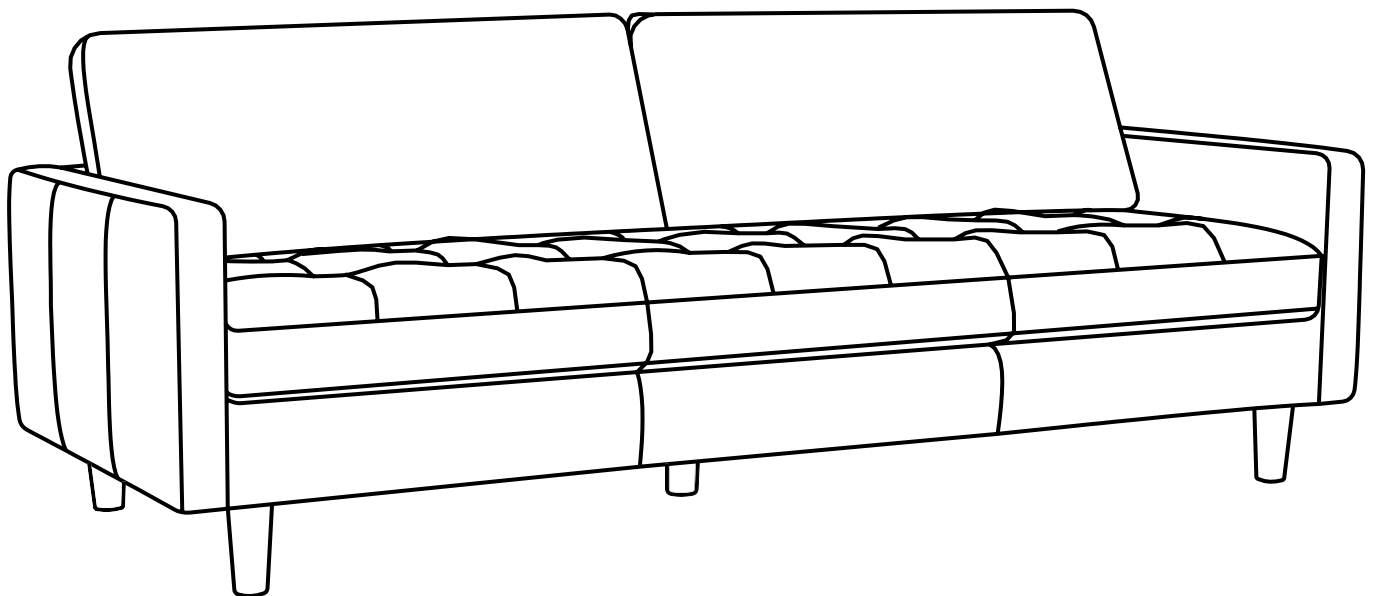
for

Abbyson Parker Top-Grain Leather Sofa

Model Number: SHF-M2-CAM-3


Abbyson Customer Experience Team (spare/replacement parts): 1-888-406-0838

or Email: samsclub@abbysonliving.com



THIS ASSEMBLY MANUAL CONTAINS IMPORTANT SAFETY INFORMATION.
PLEASE READ AND KEEP FOR FUTURE REFERENCE.

Table of Contents

Important Safety Information.....	3
Before Assembly	3
Care & Use	3
Package Contents	4
Product Information	5
Components	5
Hardware.....	5
Step 1	5
Step 2	6
Step 3	6
 Warning.....	7
Troubleshooting	7
Care & Use Instructions.....	7
Storage Instructions.....	7
Warranty Information	8
Caution.....	8

Important Safety Information

- *Please read all instructions carefully before assembling this product.*
- *Where applicable, and for your safety, assembly by an adult is strongly recommended.*
- *Use only vendor-supplied hardware to assemble this item. Using unauthorized hardware could jeopardize the structural integrity of the item.*
- *Hardware may loosen overtime. Periodically check that all connections are tight.*
- *Keep small parts and hardware out of the reach of children.*
- *Keep instructions for future use.*

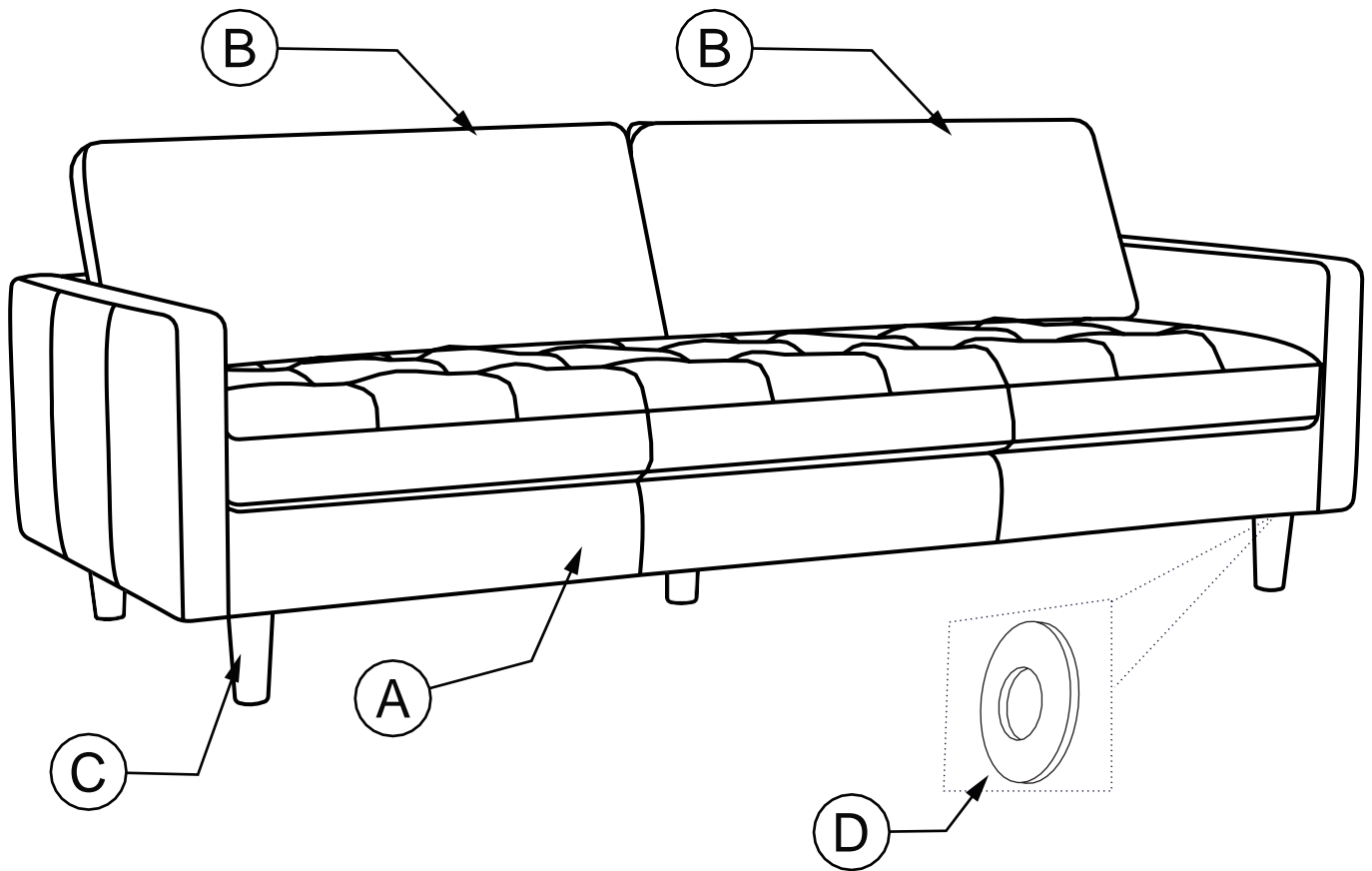
Before Assembly

- *Remove all parts and hardware from the box. Place all items on a carpeted or scratch-free work surface, as this will avoid damaging parts during assembly.*
- *The shipping box can provide an ideal work surface if none is available.*
- *Use the components and hardware lists below to identify, inventory and separate each of the hardware and components included.*
- *To avoid accidentally discarding small components or hardware, do not dispose of any packaging or contents of the shipping carton until assembly is complete.*
- **DO NOT USE** *power tools unless it is explicitly identified in this manual as required for use during assembly. Power tools can damage the fasteners, hardware and/or components.*
- *Do not fully tighten all fasteners/screws until all parts are in place. Failure to follow these instructions may cause the fasteners/screws to misalign during assembly.*

Care & Use

- *Use a soft, clean cloth that will not scratch the surface when cleaning.*
- *Be sure to vacuum on a weekly basis so dust and dirt do not settle into the fabric.*
- *Wrinkles in the fabric are a natural part of normal wear.*
- *Fabric can fade when exposed to direct sunlight over a long period of time.*
- *To minimize fading, avoid placing your furniture in direct sunlight.*
- *Avoid cleaners that use chemical products. Many of these are harsh and not safe for use on upholstery.*
- *Stress to the fabric may result in tears and when stretched, upholstery may not completely return to its original shape.*
- *Avoid sitting in one area and use the seating areas evenly for even wear.*
- *Fabric is not resistant to animals. Allowing pets on your upholstered furniture is not recommended.*
- *If pillow cushions are sewn to the frame, any pulling, or tugging may result in a tear.*

Package Contents



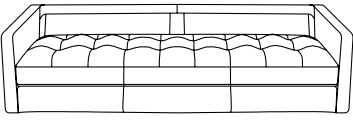
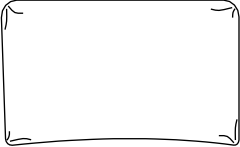
Component	Description	Qty	Component	Description	Qty
A	Seat Base	1			
B	Back Cushion	2			
C	Wooden Leg	5			
D	Flat Washer	5			

Product Information


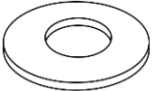
Overall Product Dimensions: **89" x 36" x 32" (226.1cm x 91.4cm x 81.3cm)**

Product Weight Capacity: **Supports up to 300lbs. per seat (136.08kg)**

Components

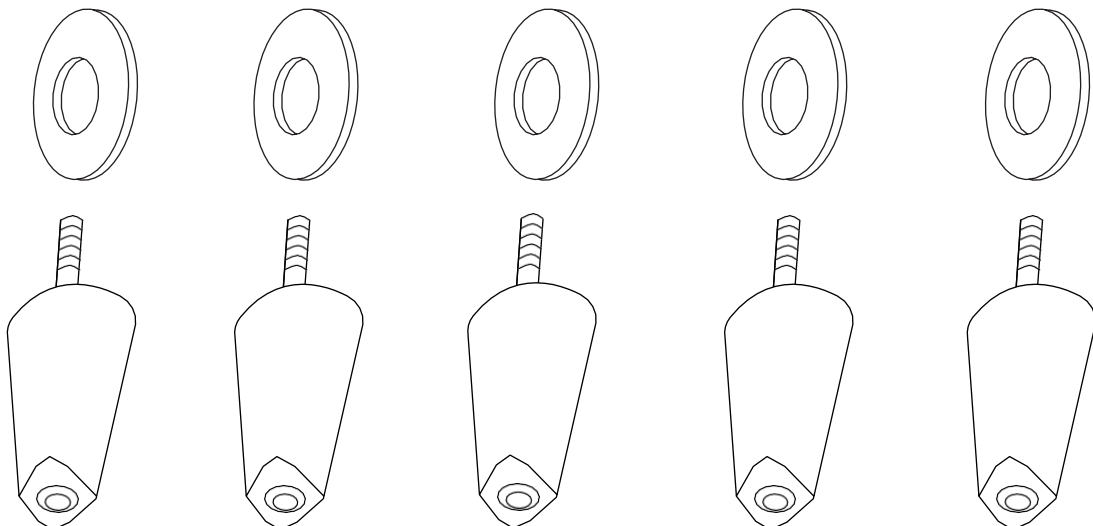
Seat Base (A) Part No. Qty: 1	Back Cushion (B) Part No. Qty: 2	
		

Hardware

Wooden Leg (C) Part No. Qty: 5	Flat Washer (D) Part No. Qty: 5	
		

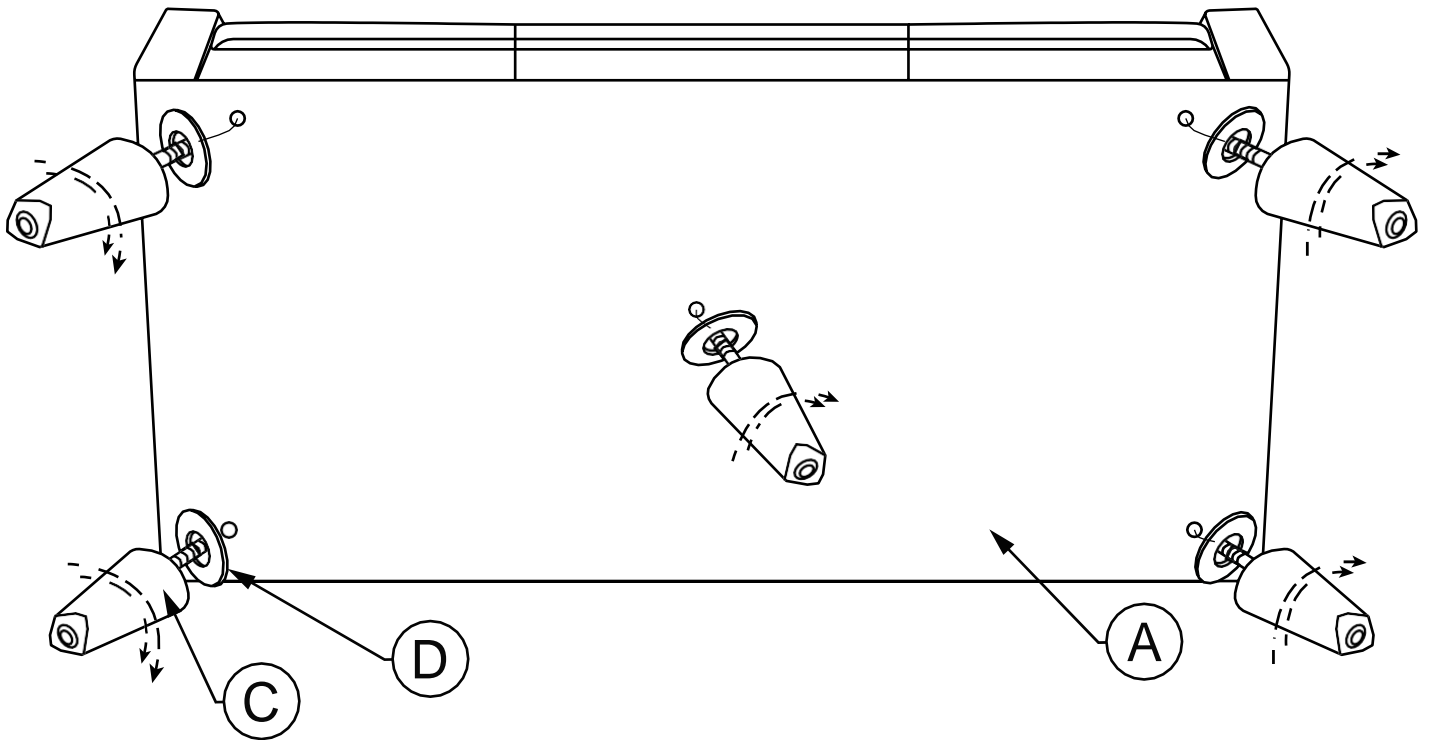
Step 1

Unpack the legs (C) and washers (D) from small package.



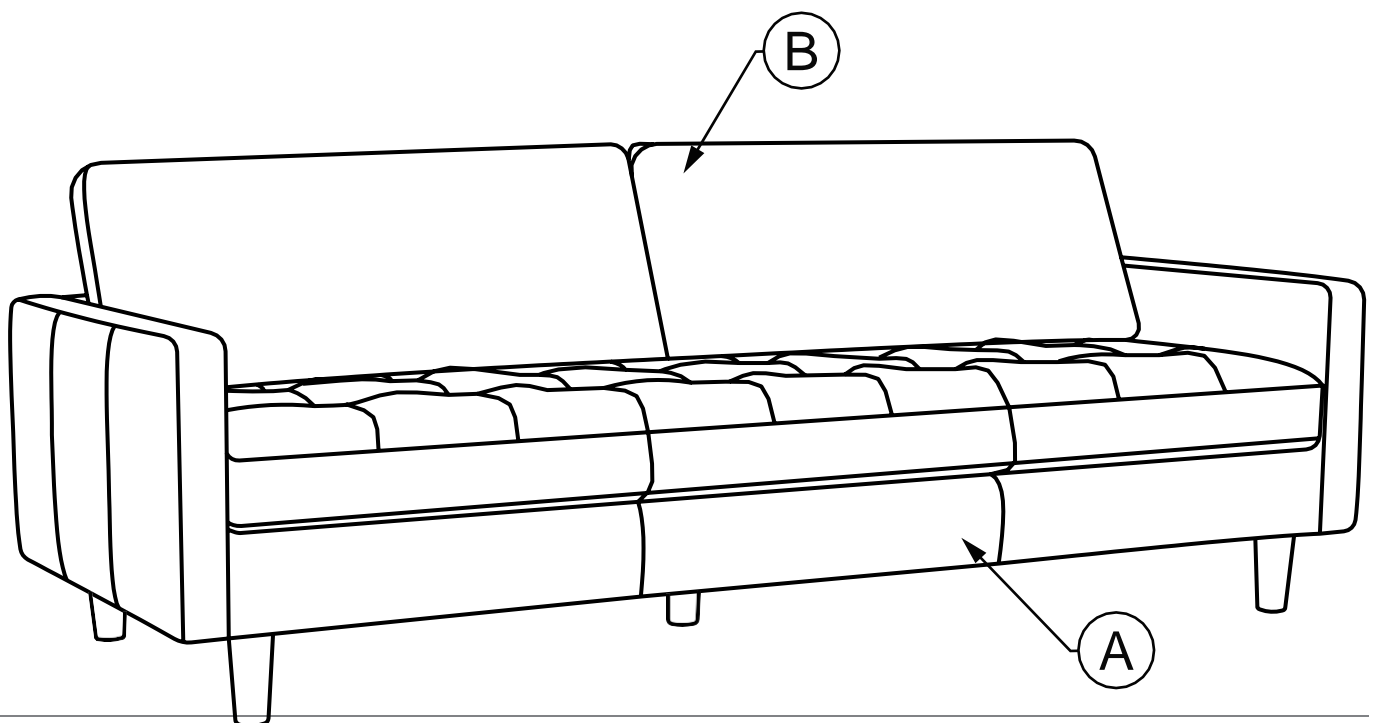
Step 2

Fit the legs (C) and washers (D) into the bottom of Product (A). (Do the same for the rest)



Step 3

Place the pillow (B) and you're done.





Warning

- Do not use this product unless all screws and bolts are securely tightened.
- Check that all screws and bolts are secure every three months or as needed.
- Dispose of packing material properly. Do not use plastic cover as head covering as it may cause suffocation.
- Do not use this product as a stepladder.
- Use this product for intended purpose only.
- Intended for residential use only.

Troubleshooting

Problem	Possible Cause	Prevention / Solution
Tilting/Leaning	Surface not level	Check all screws and bolts are secure until level

Care & Use Instructions

Care	Use a soft untreated cloth or vacuum regularly - avoid using detergents or chemical cleaners. Clean up spills immediately. Use a blotting rather than a wiping action.
Use	Avoid placing furniture in direct sunlight. Avoid extreme changes in temperature by arranging furniture away from radiators, heat, and air conditioning units. Protect furniture from animals. Fabric is not resistant to animal stains.

Storage Instructions

Item 990293228	<ol style="list-style-type: none">1. Carefully place all components into shipping box and/or provided container tape it shut2. When not in use, please store your item in a cool, dry place away from sunlight3. Exposing your item to excessive heat or humidity may damage your item.
-------------------	---

Warranty Information

Warranty

This product is covered by the Sam's Club Member Satisfaction Guarantee. Please visit samsclub.com for more information.

This product's components have a 1-year guarantee against defects in material and/or workmanship. If you have any questions regarding the warranty or spare / replacement parts, please call our toll-free number 1-888-406-0838 or email us at samsclub@abbysonliving.com

26500 Agoura Rd. #102-875
Calabasas, CA. 91302, USA

Available Monday through Friday 9am - 5pm PST

For more information, please visit our website at: www.abbyson.com

NOTE: Please consider recycling all applicable packaging material.

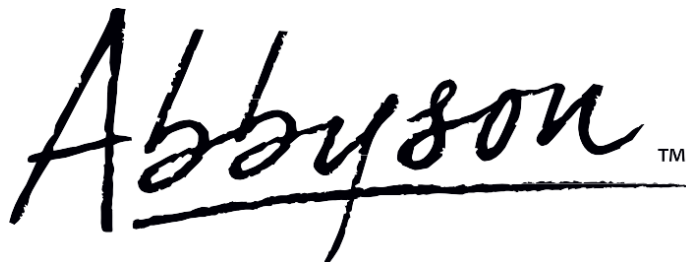
Caution

"CAUTION: Changes or modifications not expressly approved by the party responsible for compliance could void the user's authority to operate the equipment.

This device complies with part 15 of the FCC Rules. Operation is subject to the following two conditions: (1) This device may not cause harmful interference, and (2) this device must accept any interference received, including interference that may cause undesired operation.

Note: This equipment has been tested and found to comply with the limits for a Class B digital device, pursuant to part 15 of the FCC Rules and ICC. These limits are designed to provide reasonable protection against harmful interference in a residential installation. This equipment generates, uses and can radiate radio frequency energy and, if not installed and used in accordance with the instructions, may cause harmful interference to radio communications. However, there is no guarantee that interference will not occur in a particular installation. If this equipment does cause harmful interference to radio or television reception, which can be determined by turning the equipment off and on, the user is encouraged to try to correct the interference by one or more of the following measures:

- Reorient or relocate the receiving antenna.
- Increase the separation between the equipment and receiver.
- Connect the equipment into an outlet on a circuit different from that to which the receiver is connected.
- Consult the dealer or an experienced radio/TV technician for help."

The logo for Abbyson is written in a large, black, cursive script. The word "Abbyson" is written in a fluid, handwritten style. A horizontal line is drawn underneath the letters "y", "s", and "o". To the right of the word, there is a small "TM" trademark symbol.