



## ASSEMBLY INSTRUCTIONS

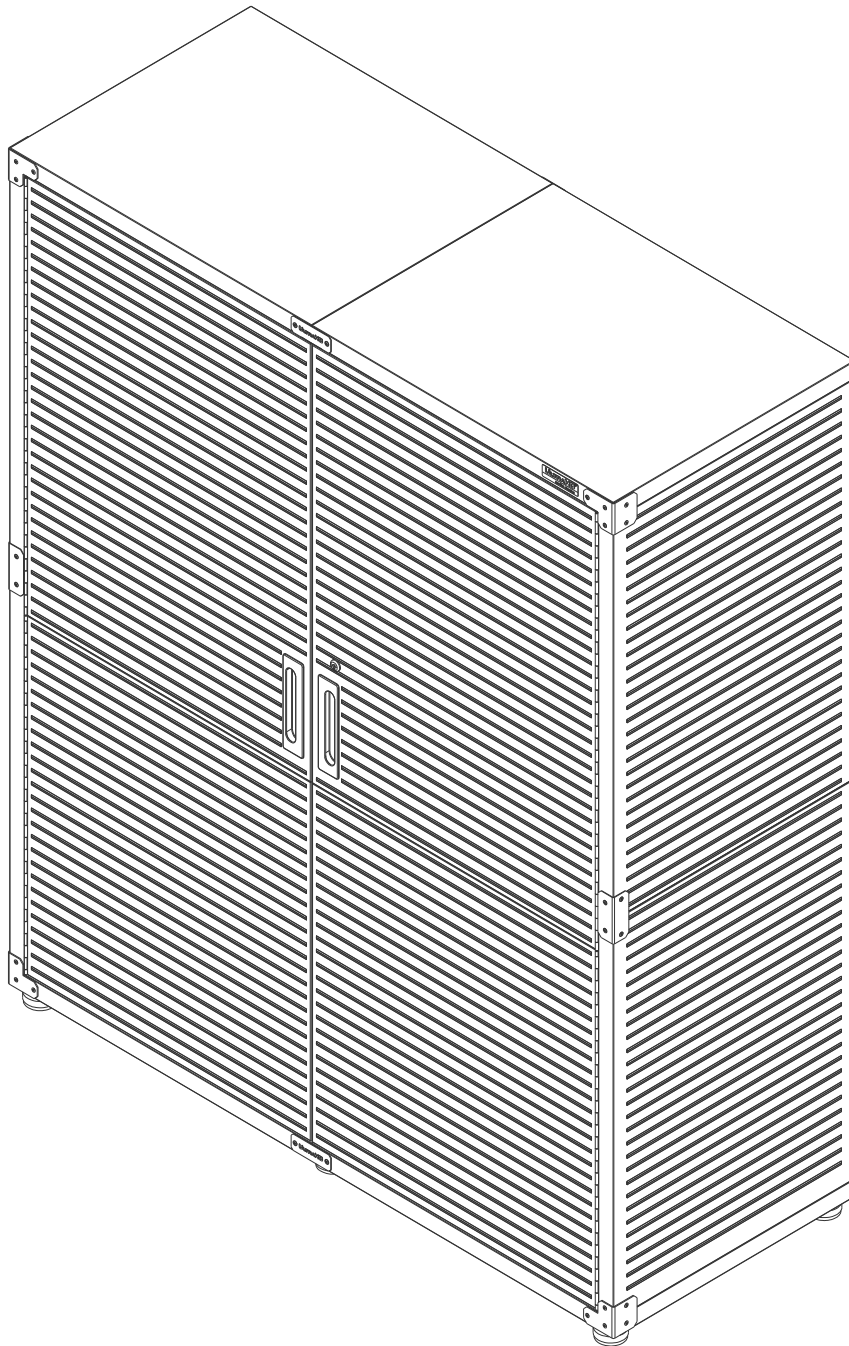
UltraHD® Mega Storage Cabinet (Model No. UHD20260, UHD20261, UHD20061, UHD20062)  
Granite Graphite White Red

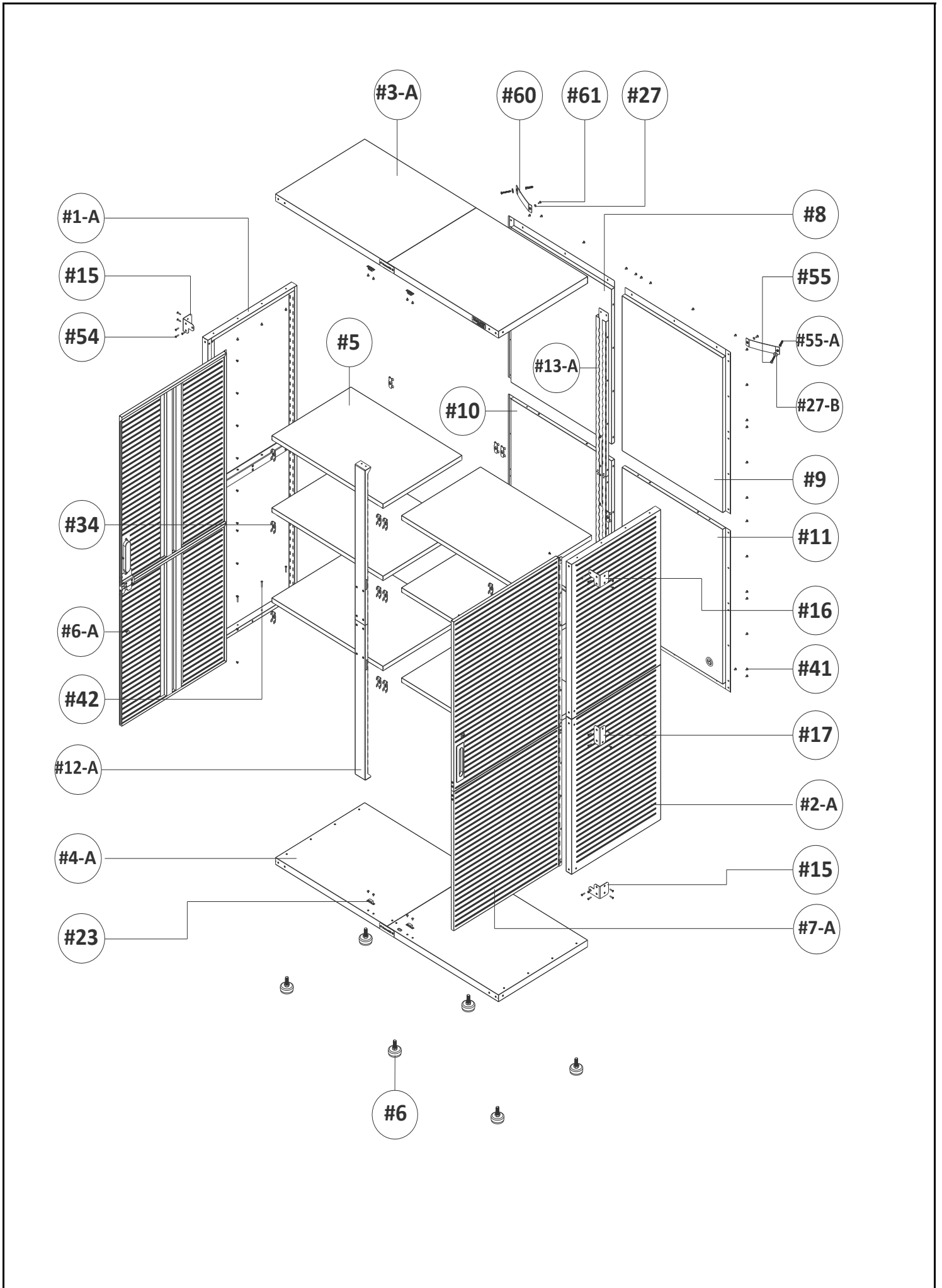
60 in. W x 24 in. D x 72 in. H  
(1.52 m x 60.9 cm x 1.83 m)

**ULTRAGUARD®**

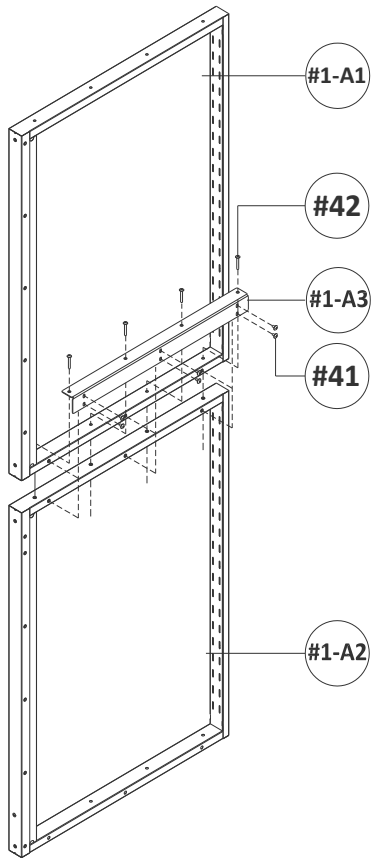
FINGERPRINT RESISTANT SURFACES  
AND INCREASED DURABILITY

Reference page 16 for special care and  
maintenance of stainless steel

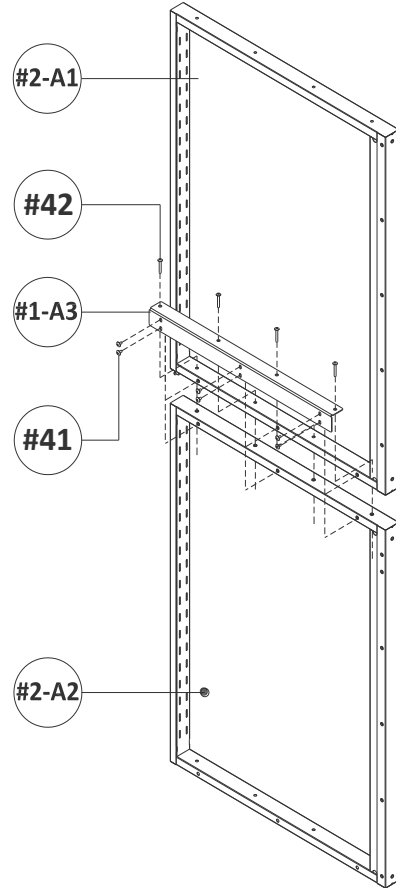




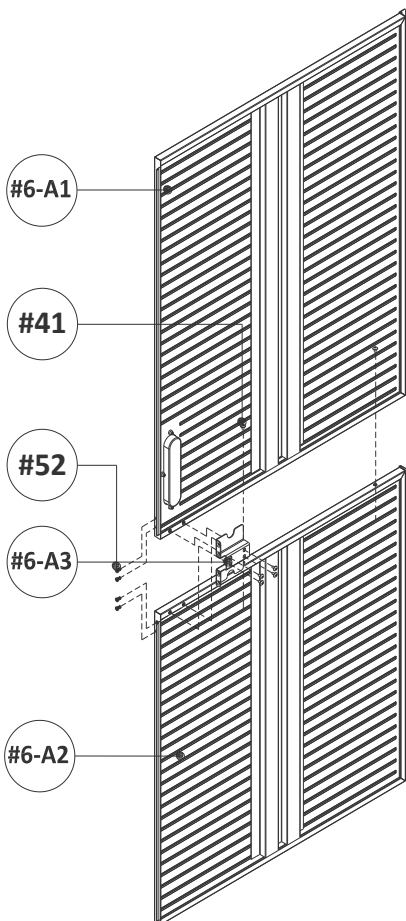
**(#1-A) Left Side Panel**



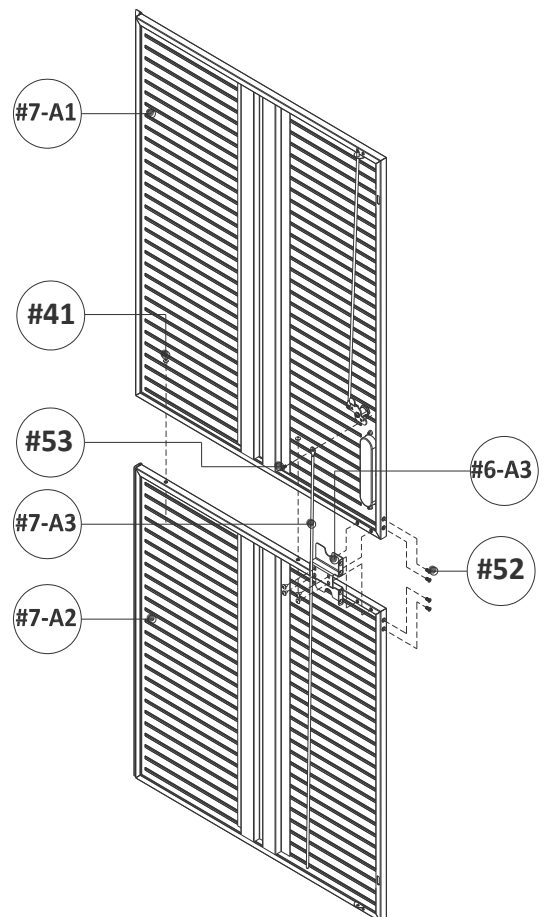
**(#2-A) Right Side Panel**



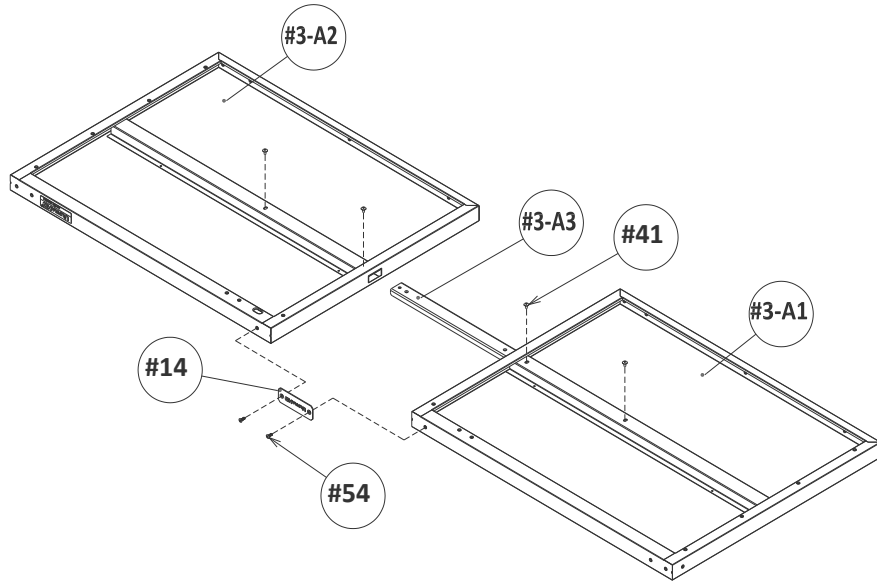
**(#6-A) Left Door**



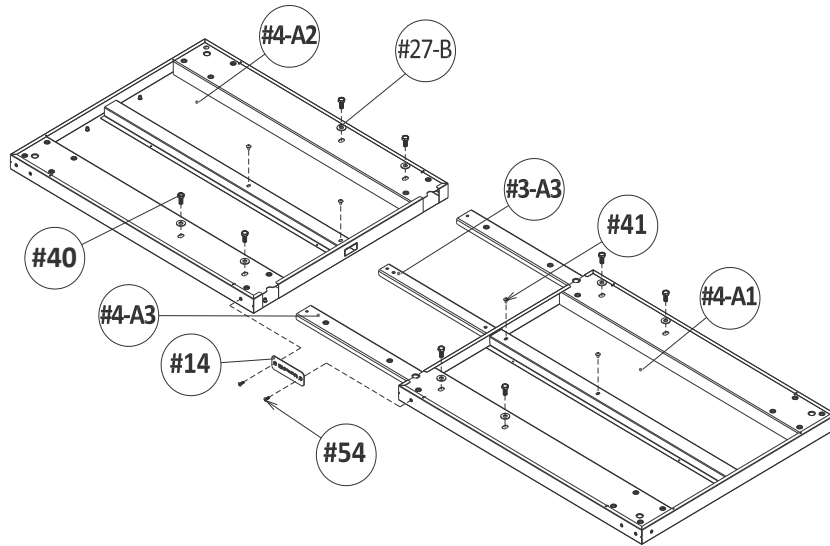
**(#7-A) Right Door**



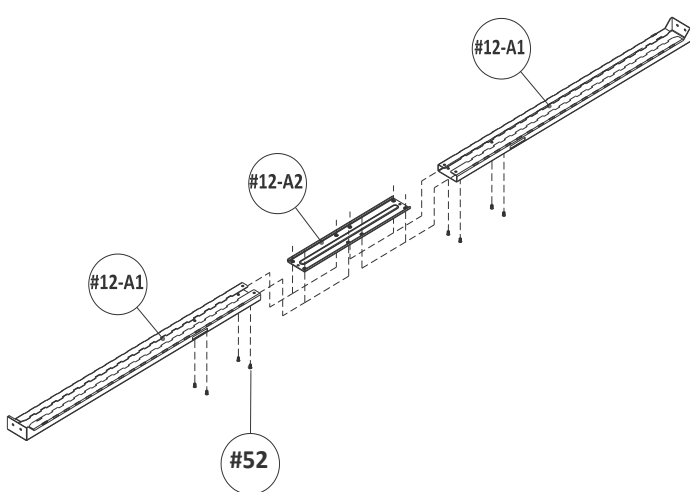
**(#3-A) Top Panel**



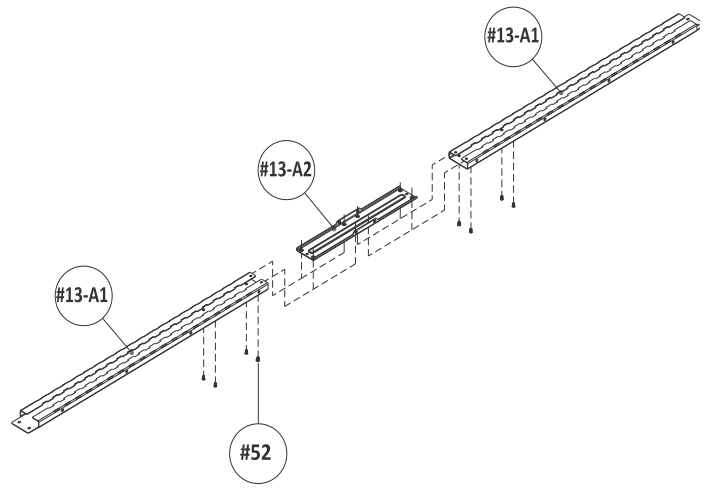
**(#4-A) Bottom Panel**



**(#12-A) Front Post**

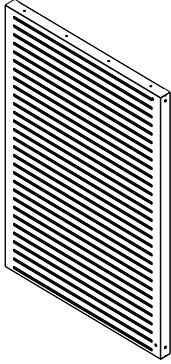


**(#13-A) Back Post**

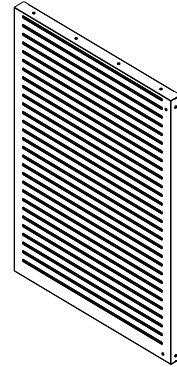


# PARTS LIST

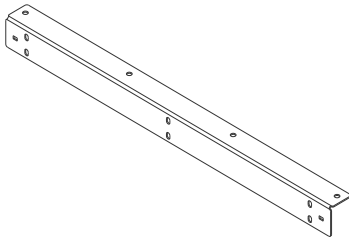
Please check the parts carefully according to the parts list. If you are missing any parts, please contact our customer service department. (Please refer to page 18.)



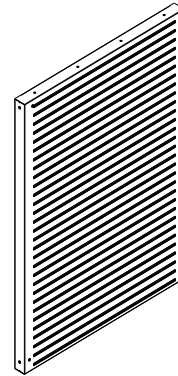
(#1-A1) Left Side - Upper Panel x 1 PC



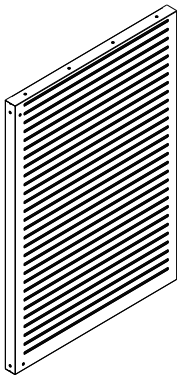
(#1-A2) Left Side - Bottom Panel x 1 PC



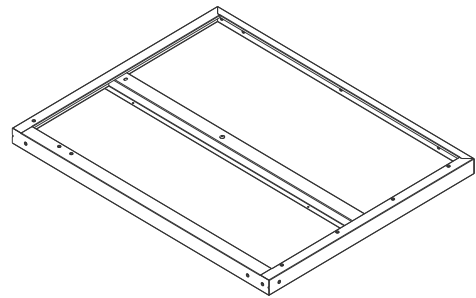
(#1-A3) Side Panel Reinforcement Connection Part x 2 PCS



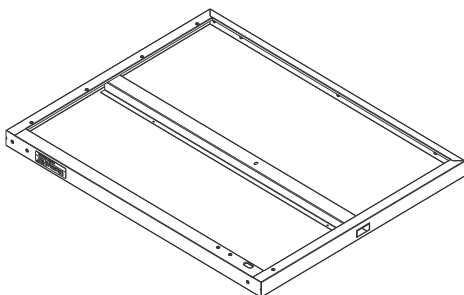
(#2-A1) Right Side - Upper Panel x 1 PC



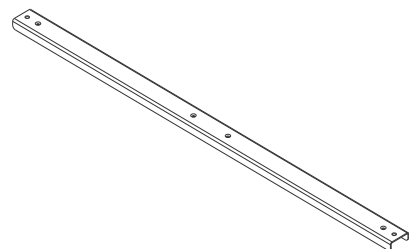
(#2-A2) Right Side - Bottom Panel x 1 PC



(#3-A1) Top Panel - Left x 1 PC



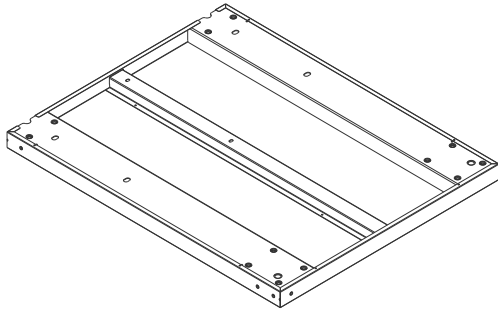
(#3-A2) Top Panel - Right x 1 PC



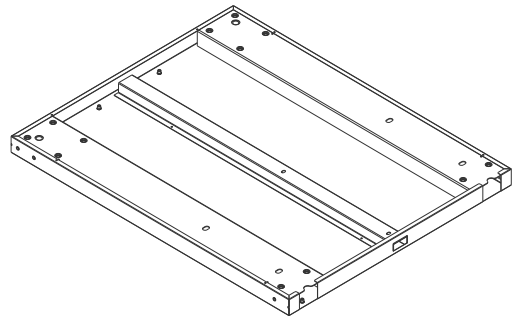
(#3-A3) Top / Bottom Panel Connection Part x 2 PCS

# PARTS LIST

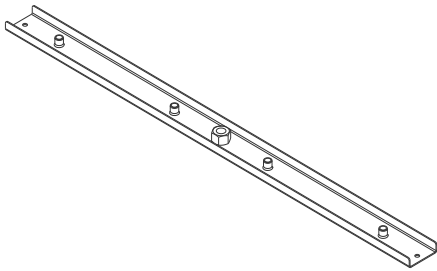
Please check the parts carefully according to the parts list. If you are missing any parts, please contact our customer service department. (Please refer to page 18.)



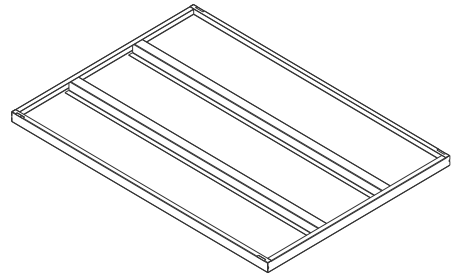
(#4-A1) Bottom Panel - Left x 1 PC



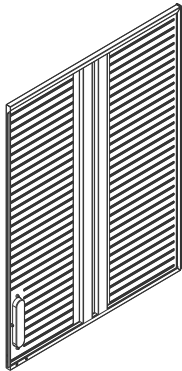
(#4-A2) Bottom Panel - Right x 1 PC



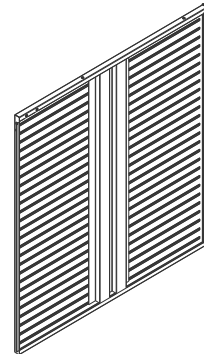
(#4-A3) Bottom Panel Wheel Reinforcement x 2 PCS



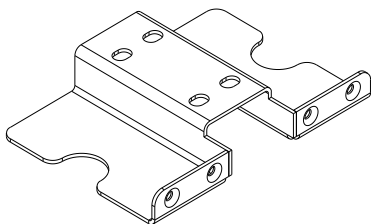
(#5) Middle Shelf x 6 PCS



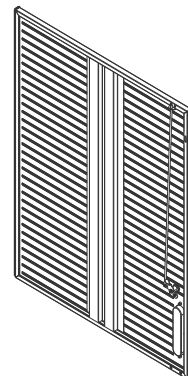
(#6-A1) Left Door - Upper Panel x 1 PC



(#6-A2) Left Door - Bottom Panel x 1 PC



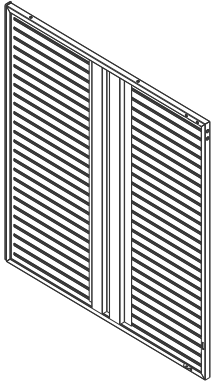
(#6-A3) Door Panel Connection Part x 2 PCS



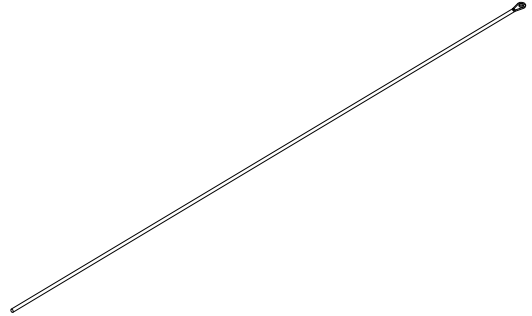
(#7-A1) Right Door - Upper Panel x 1 PC

# PARTS LIST

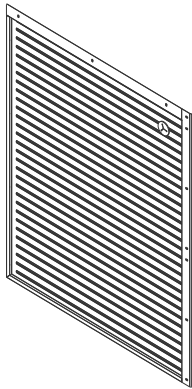
Please check the parts carefully according to the parts list. If you are missing any parts, please contact our customer service department. (Please refer to page 18.)



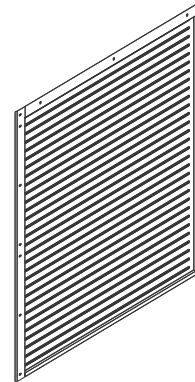
(#7-A2) Right Door - Bottom Panel x 1 PC



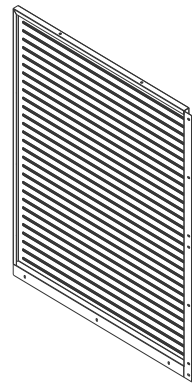
(#7-A3) Key Rod x 1 PC



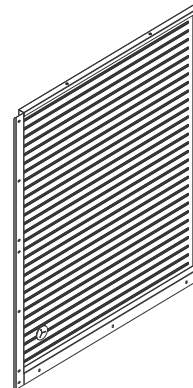
(#8) Back Panel - Upper Left Panel x 1 PC



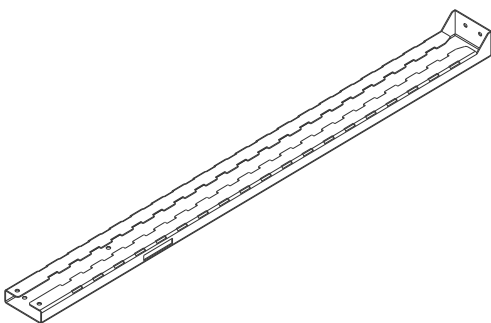
(#9) Back Panel - Upper Right Panel x 1PC



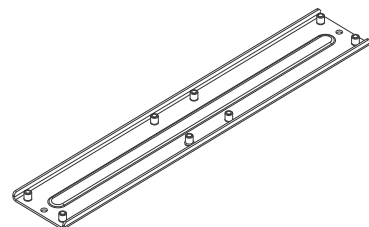
(#10) Back Panel - Bottom Left Panel x 1 PC



(#11) Back Panel - Bottom Right Panel x 1 PC



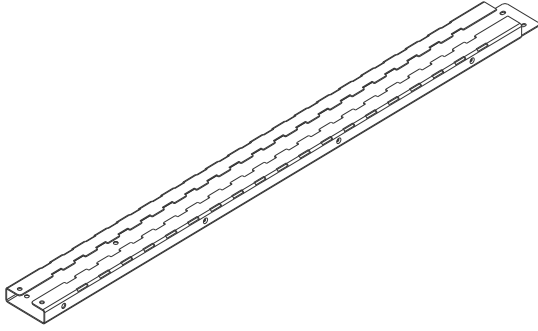
(#12-A1) Front Post x 2 PCS



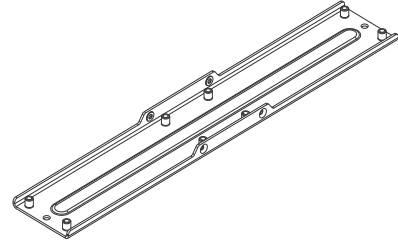
(#12-A2) Front Post Connection Part x 1 PC

# PARTS LIST

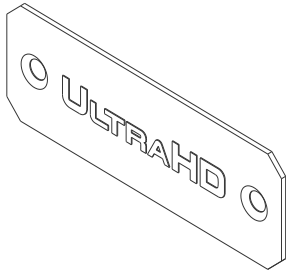
Please check the parts carefully according to the parts list. If you are missing any parts, please contact our customer service department. (Please refer to page 18.)



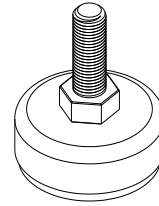
(#13-A1) Back Post x 2 PCS



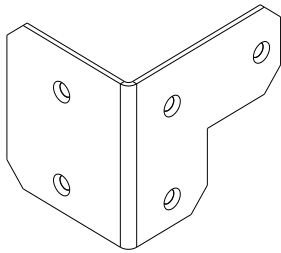
(#13-A2) Back Post Connection Part x 1 PC



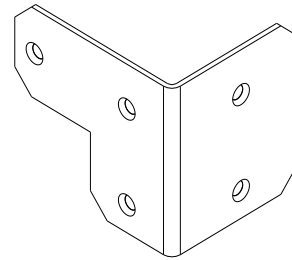
(#14) LOGO Connection Part x 2 PCS



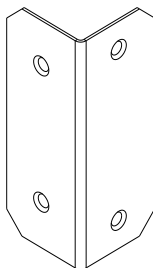
(#6) Leveling Feet x 6 PCS



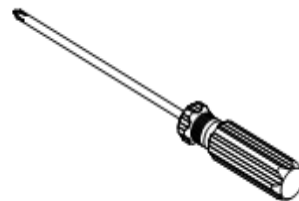
(#15) Corner Protection - A x 2 PCS



(#16) Corner Protection - B x 2 PCS



(#17) Middle Corner Protection x 2 PCS

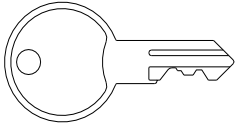


(#21) Screwdriver x 1 PC

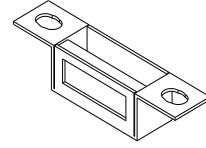


# PARTS LIST

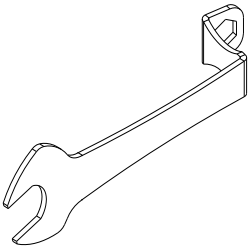
Please check the parts carefully according to the parts list. If you are missing any parts, please contact our customer service department. (Please refer to page 18.)



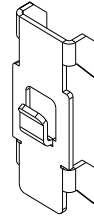
(#22) Key x 2 PCS



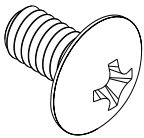
(#23) Magnet x 4 PCS



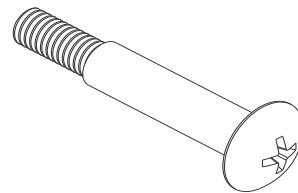
(#25) Wrench x 1 PC



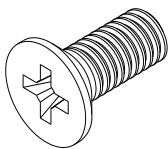
(#34) Hook x 24 PCS



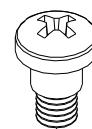
(#41) Screw F (M4 x 8L) x 138 PCS



(#42) Screw G (M4 x 30L) x 16 PCS



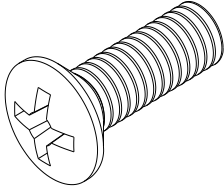
(#52) Screw K (M5 x 10L) x 24 PCS



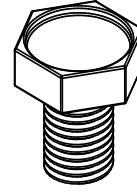
(#53) Screw L (M4 x 6L) x 1 PC

# PARTS LIST

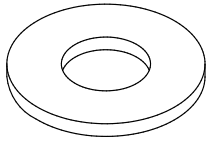
Please check the parts carefully according to the parts list. If you are missing any parts, please contact our customer service department. (Please refer to page 18.)



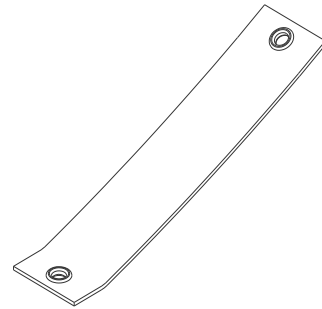
(#54) Screw N (M4 x 10L) x 32 PCS



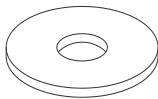
(#40) Screw E (M8 x 18L) x 8 PCS



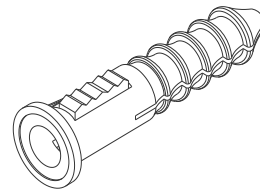
(#27-B) M8 Washer x 10 PCS



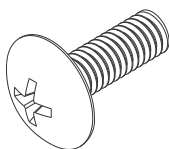
(#60) Mounting Strap x 2 PCS



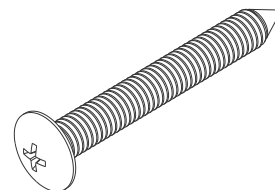
(#27) WASHER (M4) x 2 PCS



(#55-A) Wall Anchor x 2 PCS



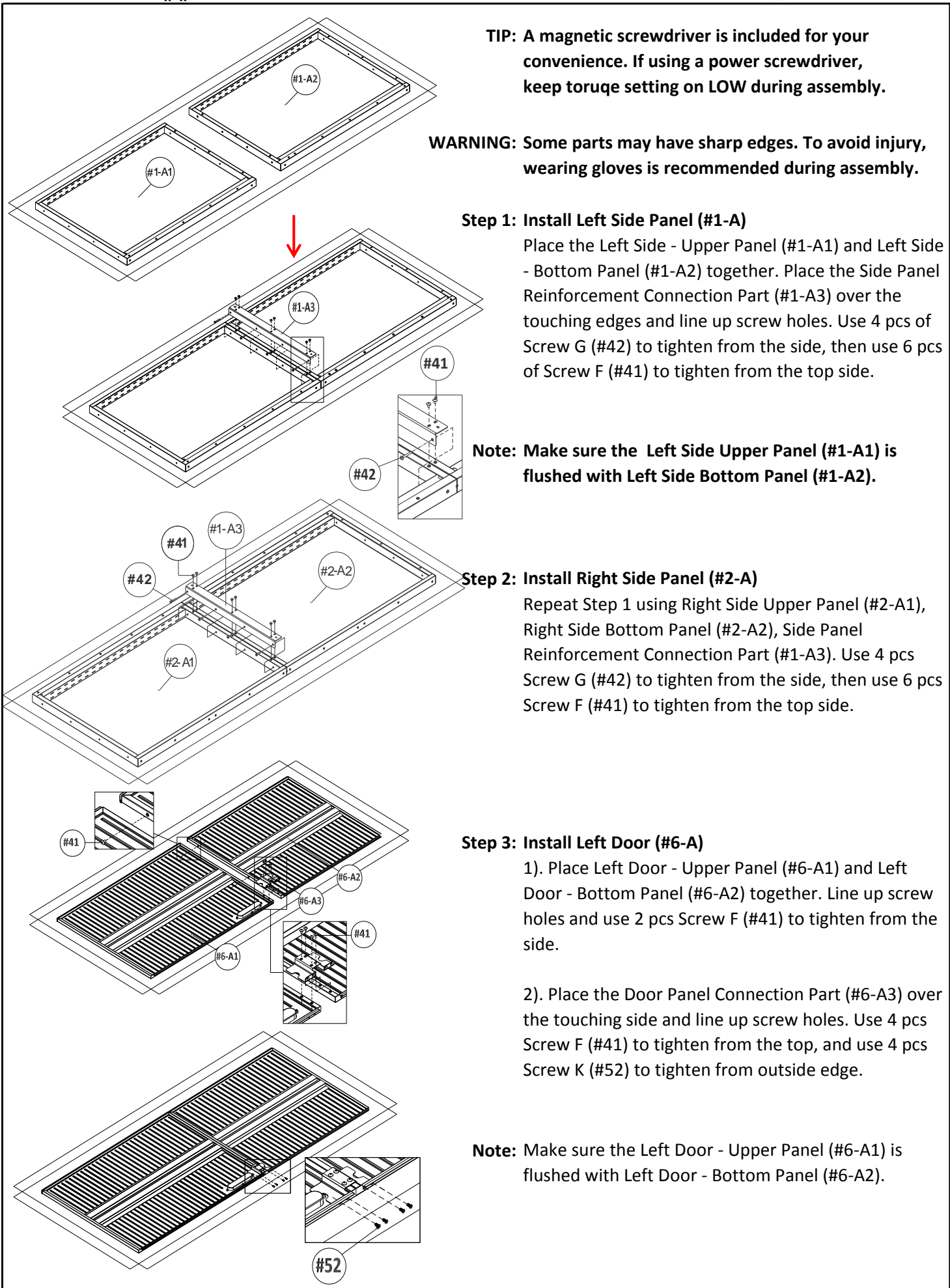
(#61) Screw O (M4 x 12L) x 2 PCS



(#55) Screw M (M6 x 50L) x 2 PCS



\*NOTE: We recommend using TWO people to assemble the cabinet.



**TIP:** A magnetic screwdriver is included for your convenience. If using a power screwdriver, keep torque setting on LOW during assembly.

**WARNING:** Some parts may have sharp edges. To avoid injury, wearing gloves is recommended during assembly.

**Step 1: Install Left Side Panel (#1-A)**

Place the Left Side - Upper Panel (#1-A1) and Left Side - Bottom Panel (#1-A2) together. Place the Side Panel Reinforcement Connection Part (#1-A3) over the touching edges and line up screw holes. Use 4 pcs of Screw G (#42) to tighten from the side, then use 6 pcs of Screw F (#41) to tighten from the top side.

**Note:** Make sure the Left Side Upper Panel (#1-A1) is flushed with Left Side Bottom Panel (#1-A2).

**Step 2: Install Right Side Panel (#2-A)**

Repeat Step 1 using Right Side Upper Panel (#2-A1), Right Side Bottom Panel (#2-A2), Side Panel Reinforcement Connection Part (#1-A3). Use 4 pcs Screw G (#42) to tighten from the side, then use 6 pcs Screw F (#41) to tighten from the top side.

**Step 3: Install Left Door (#6-A)**

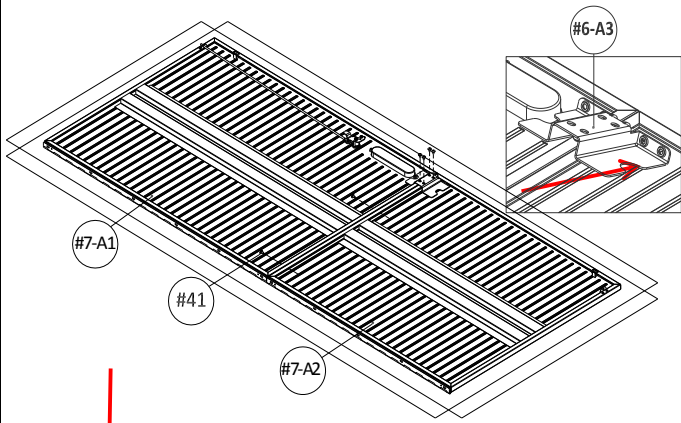
1). Place Left Door - Upper Panel (#6-A1) and Left Door - Bottom Panel (#6-A2) together. Line up screw holes and use 2 pcs Screw F (#41) to tighten from the side.

2). Place the Door Panel Connection Part (#6-A3) over the touching side and line up screw holes. Use 4 pcs Screw F (#41) to tighten from the top, and use 4 pcs Screw K (#52) to tighten from outside edge.

**Note:** Make sure the Left Door - Upper Panel (#6-A1) is flushed with Left Door - Bottom Panel (#6-A2).



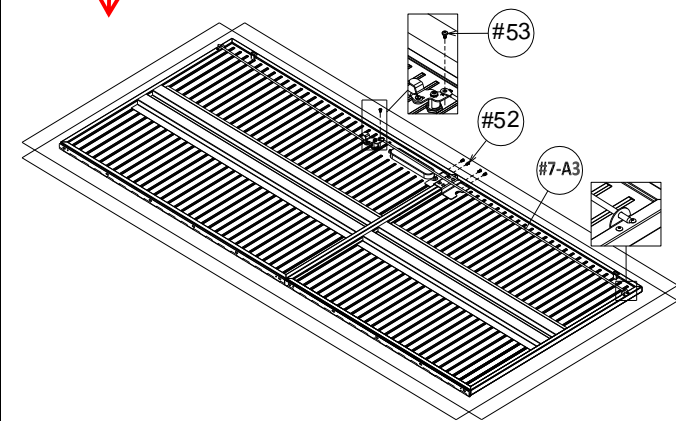
\*NOTE: We recommend using TWO people to assemble the cabinet.



**Step 4: Install Right Door (#7-A)**

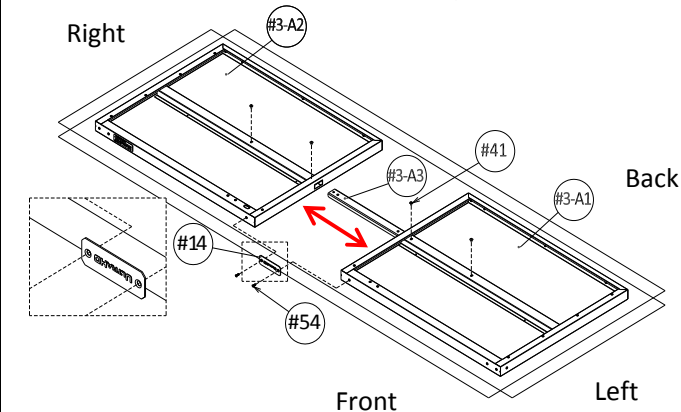
Repeat Step 3 using Right Door - Upper Panel (#7-A1), Right Door - Bottom Panel (#7-A2), and Door Panel Connection Part (#6-A3). Use 2 pcs Screw F (#41) to tighten the touching edges of the door, 4 pcs (#41) Screw F to tighten from the top touching side, and 4 pcs Screw K (#52) to tighten from outside edge.

**Note:** Make sure the Right Door - Upper Panel (#7-A1) is flushed with Right Door - Bottom Panel (#7-A2).



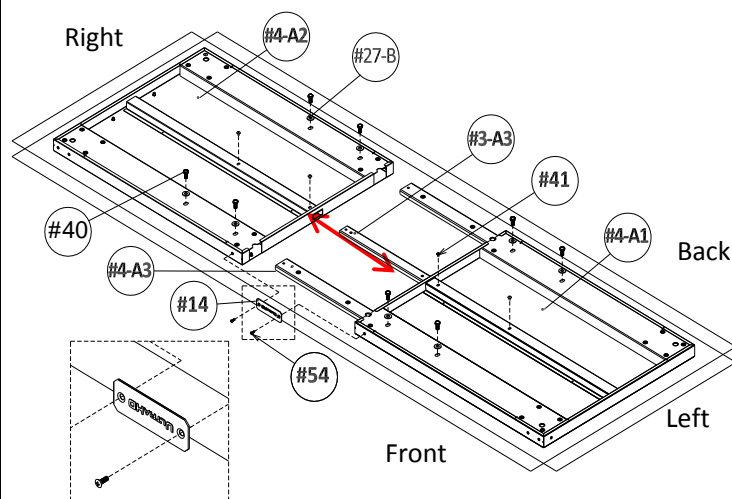
**Step 5: Install Key Rod (#7-A3)**

Insert Key Rod (#7-A3) into the bottom tab hole of Right Door - Bottom Panel (#7-A2). Unscrew the Pre-assembled Screw L (#53) on the key rod linkage plate, and attach Key Rod (#7-A3) by lining up the screw hole and tightening back in the Screw L (#53).



**Step 6: Install Top Panel (#3-A)**

- 1). Insert the Top / Bottom Panel Connection Part (#3-A3) into Left Top Panel (#3-A1), line up screw holes, and use 2 pcs Screw F (#41) to tighten.
- 2). Insert the Right Top Panel (#3-A2) with the Top / Bottom Panel Connection Part (#3-A3) and Left Top Panel (#3-A1). Line up screw holes, and 2 pcs (#41) Screw F to tighten.
- 3). Attach the LOGO Connection Part (#14) to the edge of Left Top Panel and Right Top Panel. Line up screw holes, and use 2 pcs Screw N (#54) to tighten.

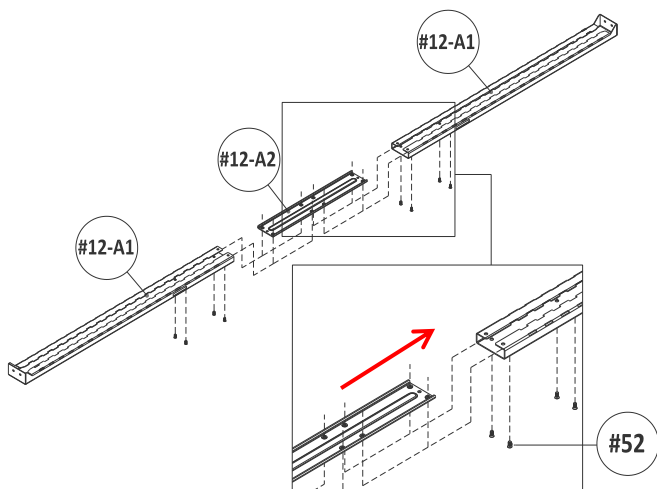


**Step 7: Install Bottom Panel (#4-A)**

- 1). Insert the Top / Bottom Panel Connection Part (#3-A3) into Left Bottom Panel (#4-A1). Line up screw holes, and use 2 pcs Screw F (#41) to tighten.
- 2). Insert the Bottom Panel Wheel Reinforcement (#4-A3) into Left Bottom Panel (#4-A1), Line up screw holes, use 4 pcs Screw E (#40) and M8 Washer (#27-B) to tighten.
- 3). Insert the Right Bottom Panel (#4-A2) with the Top / Bottom Panel Connection Part (#3-A3), Left Bottom Panel (#4-A1) and Bottom Panel Wheel Reinforcement (#4-A3). Line up screw holes. Use 2 pcs Screw F (#41) and 4 pcs Screw E (#40) and M8 Washer (#27-B) to tighten.
- 4). Attached the LOGO Connection Part (#14) on the edge of Left Bottom Panel and Right Bottom Panel. Line up screw holes, use 2 pcs Screw N (#54) to tighten.



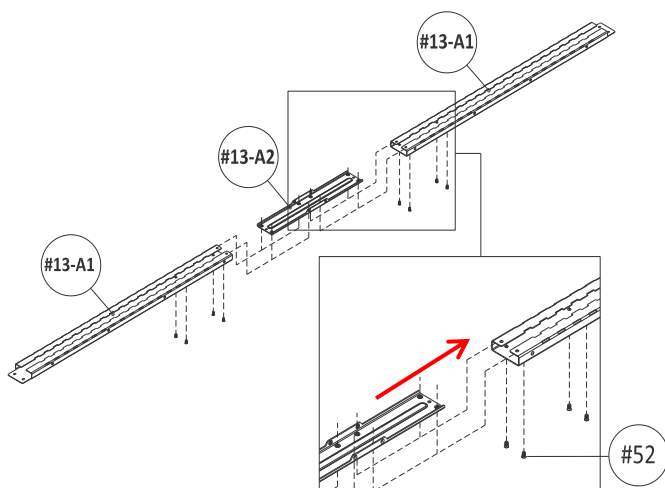
\*NOTE: We recommend using TWO people to assemble the cabinet.



**Step 8: Install Front Post (#12-A)**

Attached the Front Post Connection Part (#12-A2) with the Front Post (#12-A1), line up screw holes, use 8 pcs Screw K (#52) to tighten.

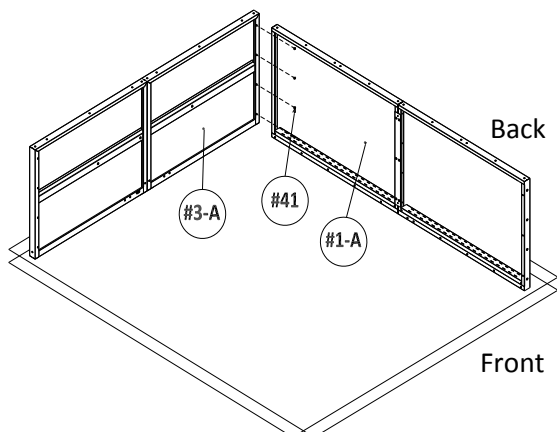
**Note: Make sure the Front Post is flush and straight after assembly.**



**Step 9: Install Back Post (#13-A)**

Attached the Back Post Connection Part (#13-A2) with the Back Post (#13-A1). Line up screw holes, and use 8 pcs Screw K (#52) to tighten.

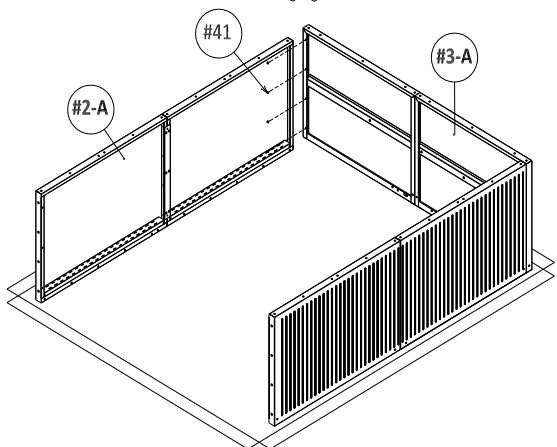
**Note: Make sure the Back Post is flush and straight after assembly.**



**Step 10: Install Top Panel (#3-A) to Left Side Panel (#1-A) and Right Side Panel (#2-A)**

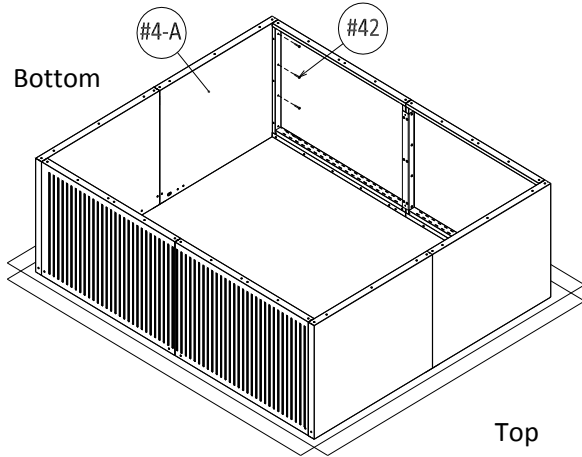
Attach Top Panel (#3-A) to Left Side Panel (#1-A) and Right Side Panel (#2-A). Make sure the front of the panel faces downward. Line up screw holes, and use 8 pcs Screw F (#41) to tighten.

**Note: Before tightening screws, make sure the bottom corners of Side Panels are completely flush with the back and front corners of Top Panel.**





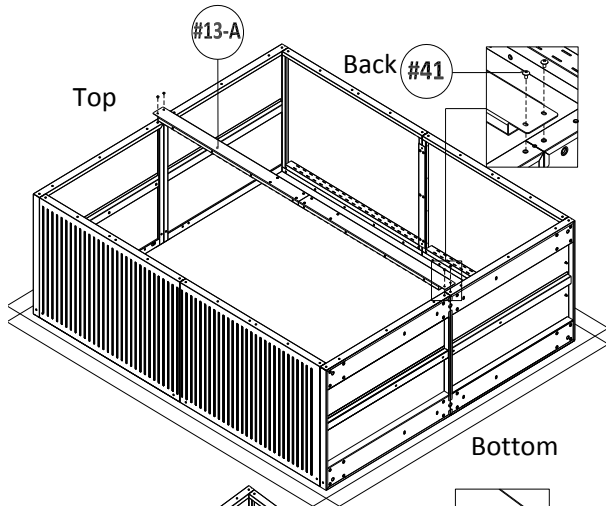
\*NOTE: We recommend using TWO people to assemble the cabinet.



**Step 11: Install Bottom Panel (#4-A)**

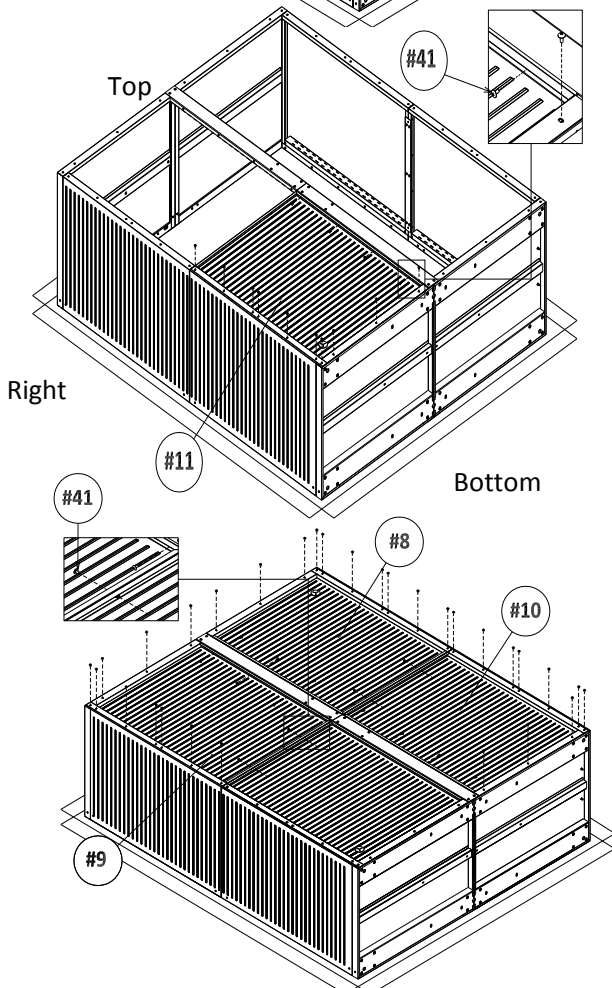
Attach Bottom Panel (#4-A) to Left Side Panel (#1-A) and Right Side Panel (#2-A). Make sure the front of the panel faces downward. Line up screw holes, and use 8 pcs Screw G (#42) to tighten.

**Note: Before tightening screws, make sure the bottom corners of Side Panels are completely flush with the back and front corners of Bottom Panel.**



**Step 12: Install Back Post (#13-A)**

Attach the Back Post (#13-A) to the middle back of the cabinet. Line up screw holes, and use 4 pcs Screw F (#41) to tighten.



**Step 13: Install Back Panels (#8) (#9) (#10) (#11)**

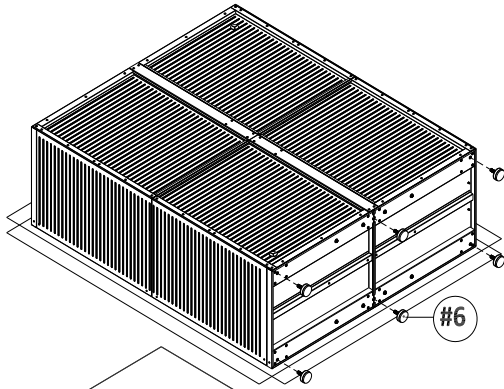
1). Attach Back Panel - Bottom Right Panel (#11) as the left photo shows. Line up screw holes, and use 14 pcs Screw F (#41) to tighten.

2). Attach Back Panel - Upper Left Panel, Upper Right Panel and Bottom Left Panel (#8) (#9) (#10) the same way. Use 46 pcs Screw F (#41) to tighten.

**Note: Make sure the Back panels are flush with the Back Post.**



\*NOTE: We recommend using TWO people to assemble the cabinet.



**Step 14: Install Leveling Feet (#6)**

Attach Leveling Feet (#6) to the Bottom Panel (#4-A). Use Wrench (#25) to tighten.

**Note:** Wheels are not included with this unit, however there are 4 screw holes built into Bottom Panel (#4-A) for installation. Wheels can be purchased at [www.SevilleClassics.com](http://www.SevilleClassics.com). (Model #: [WEB128](#))

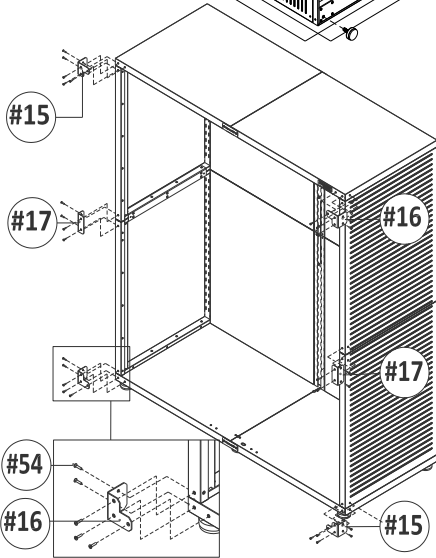
See page 17 for installation instructions.

**Rotate/Stand Storage Cabinet upright after this step.**

**Step 15: Install Corner Protections (#15, #16 and #17)**

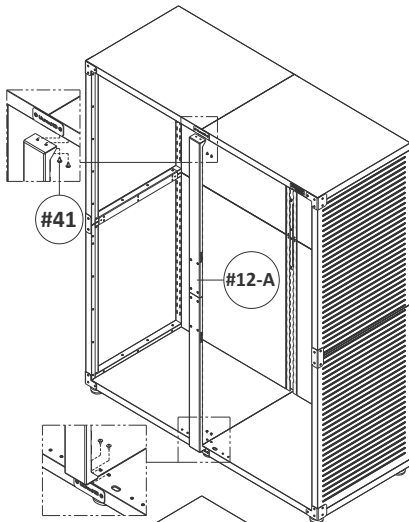
1). Attach Corner Protection A, B (#15, #16) onto Top and Bottom of the cabinet. Use 20 pcs Screw N (#54) to tighten.

2). Attach Middle Corner Protection (#17) to the middle of Left Side Panel (#1-A) and Right Side Panel (#2-A). Use 8 pcs Screw N (#54) to tighten.



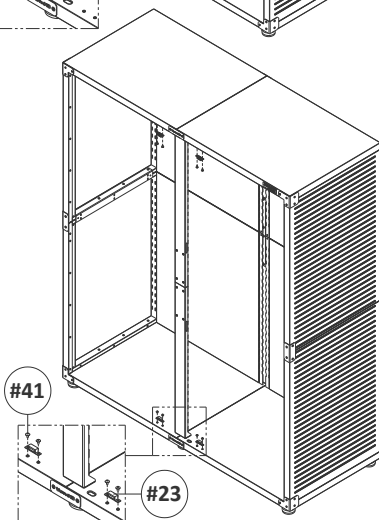
**Step 16: Install Front Post (#12-A)**

Attach the Front Post (#12-A) to the front of the cabinet. Line up screw holes, and use 4 pcs Screw F (#41) to tighten.



**Step 17: Install Magnet (#23)**

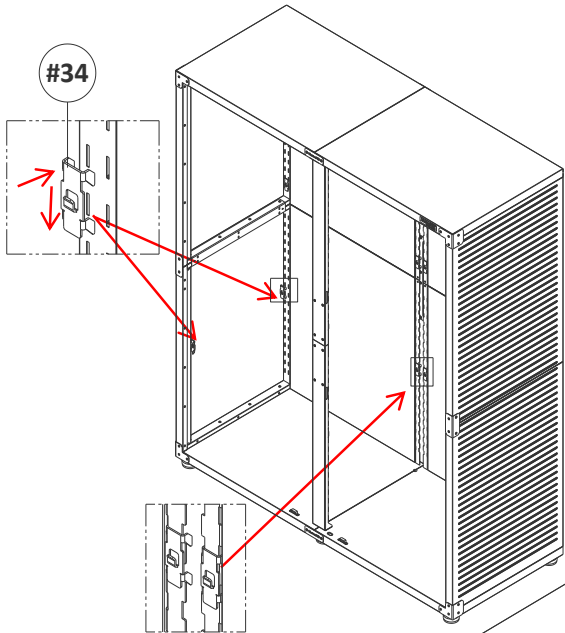
Place Magnet (#23) onto Top Panel (#3-A) and Bottom Panel (#4-A) facing the front, use 8 pcs Screw F (#41) to tighten.







\*NOTE: We recommend using TWO people to assemble the cabinet.



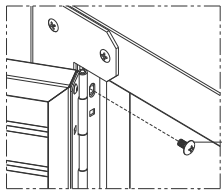
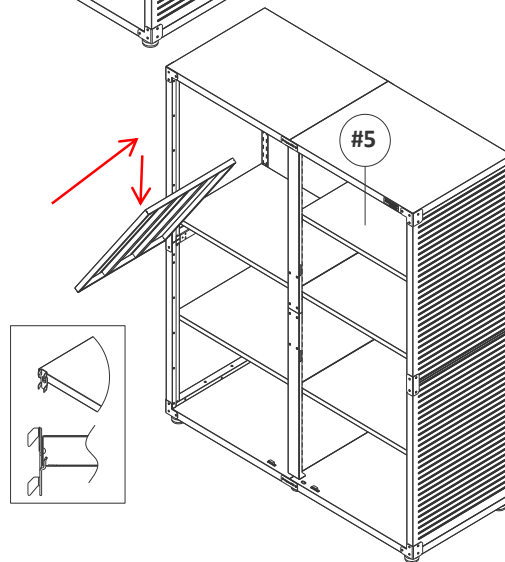
### Step 18: Install Middle Shelves (#5)

1). Decide the height for the each Middle Shelf (#5). Place the Hooks (#34) into the hook slot where each corner of shelf should be placed. Make sure the hooks supporting each shelf are at same height.

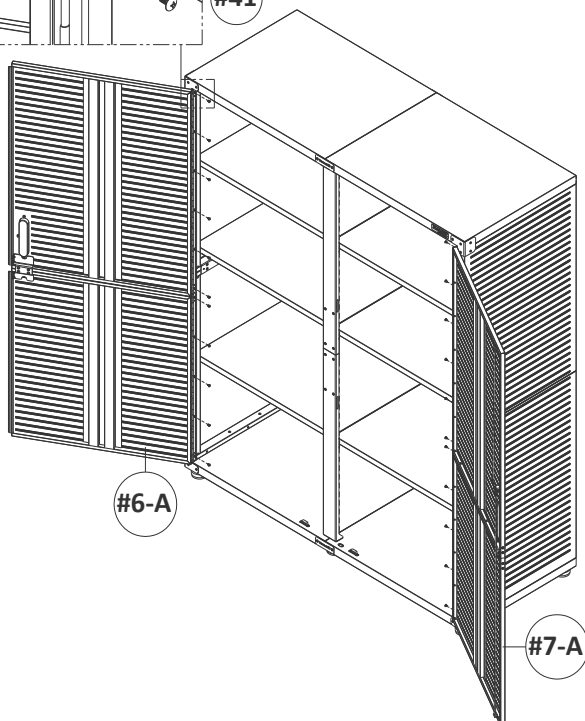
**All Middle Shelves (#5) need a hook at each corner to support it.**

2). Place each Middle Shelf (#5) into cabinet and push down onto Hooks (#34).

Purchase additional shelves (Model #: [UHD20260S](https://www.sevilleclassics.com)) on [SevilleClassics.com](https://www.sevilleclassics.com).



#41



### Step 19: Install Left and Right Door (#6-A, #7-A)

1). Attach Left Door (#6-A) to Left Side Panel (#1-A). Use 11 pcs Screw F (#41) to tighten.

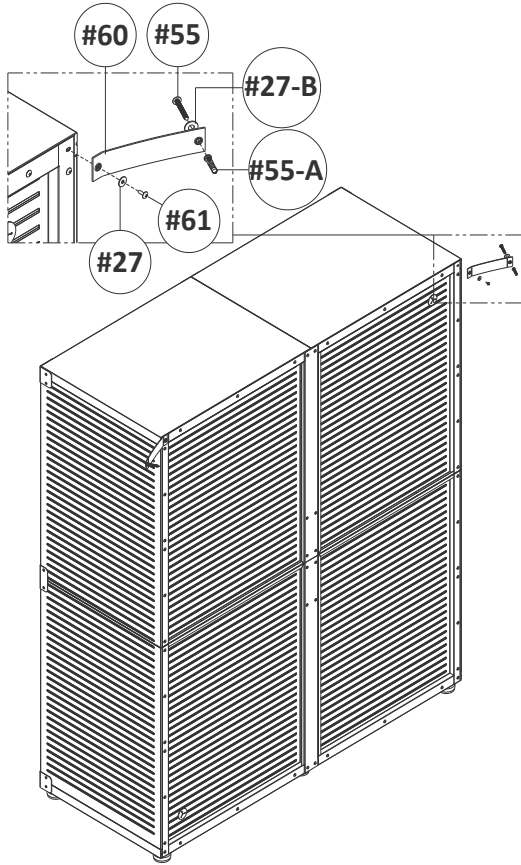
**Note: The screw holes on the door hinge have tolerance, allowing the door to be adjusted and centered in the door frame. Place top, middle and bottom screws first. Don't tighten screws completely - this makes it easier to adjust the doors so that they're level.**

2). Install Right Door (#7-A) the same way.





\*NOTE: We recommend using TWO people to assemble the cabinet.



**Step 20: Install Mounting Strap (#60)**

A. Remove 1 pc Screw F (#41) from the back panel.

B. Attach the Mounting Strap (#60) to the back panel as the left diagram shows using Screw O (#61) and Washer (#27).

C. Drill a hole in the wall with a 5/16" drill bit, and insert the Wall Anchor (#55-A) into the hole.

D. Attach the other end of the Mounting Strap (#60) to the wall using Screw M (#55) and Washer (#27-B).

**Repeat steps A through D to install the other mounting strap.**

**UltraHD® Stainless Steel Care Instructions**

The stainless steel is protected with UltraGuard® fingerprint resistant finish.

**DO NOT** use traditional stainless-steel cleaners. To safely manage unwanted fingerprints and prevent new stains, perform the following steps once monthly:

- Lightly wipe with warm water and clean microfiber cloth
- Always wipe in the direction of the surface grain (NEVER ACROSS)
- Wipe away excess water with dry clean cloth



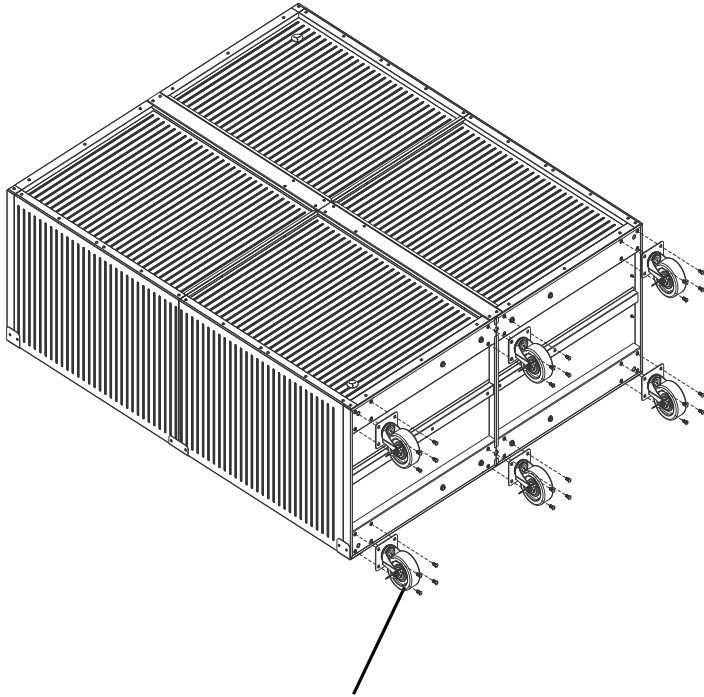
\*NOTE: We recommend using TWO people to assemble the cabinet.



## Installing Wheels ([WEB128](#))\* and Additional Shelves ([UHD20260S](#))\*\*

\* Sold separately on [SevilleClassics.com](http://SevilleClassics.com). Requires 3 pairs.

\*\*Sold separately on [SevilleClassics.com](http://SevilleClassics.com).



[\(WEB128\)](#)

### Installing Wheels

**Step 1:** Follow the previous instructions to Step 14.  
**DO NOT** install Leveling Feet (#6).

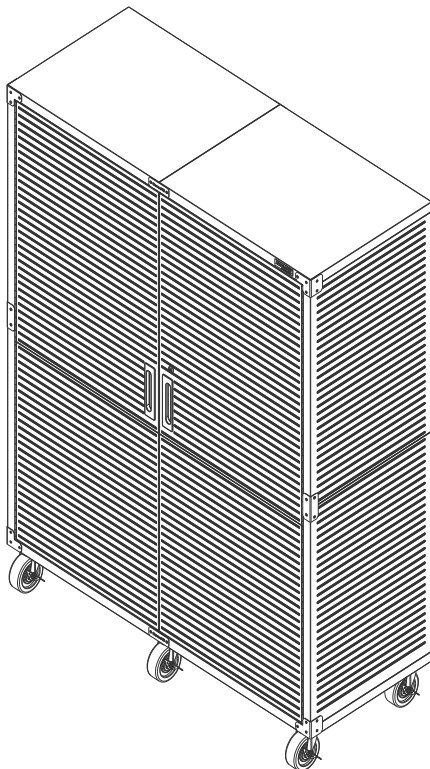
**Step 2:** Install 3 pairs of wheels ([WEB128](#)) to the bottom of the cabinet.

Use screws included with wheels to fasten.

### Installing Additional Shelves

**Step 1:** Follow the previous instructions to Step 18.

Install additional shelves ([UHD20260S](#)) the same way.



## CONTACT INFORMATION

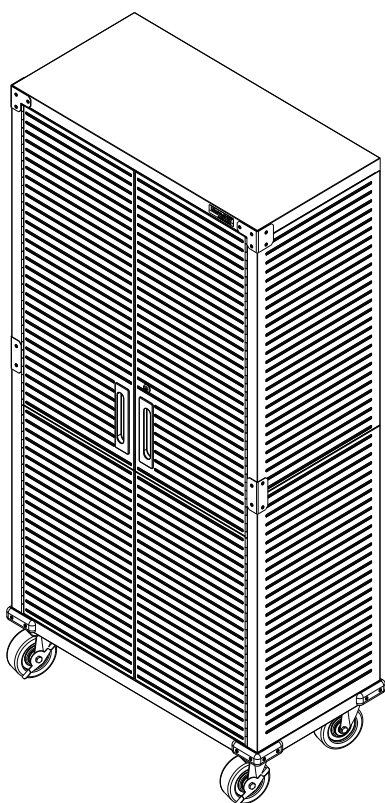
If you are missing any parts, have any questions, or need additional assistance in assembly, please contact our bilingual (English and Spanish) customer service department at:



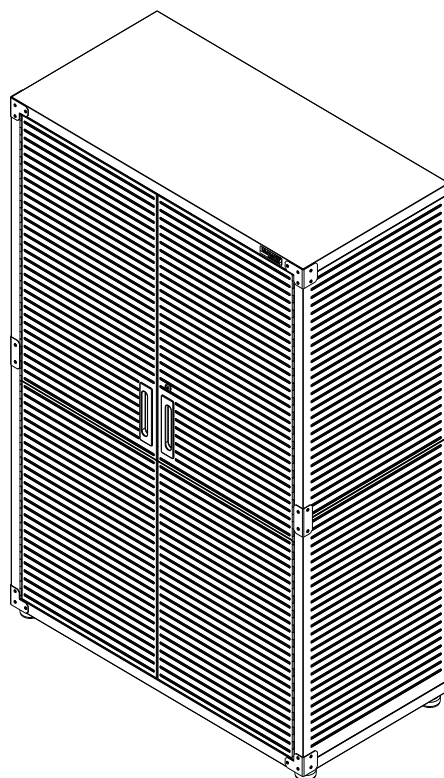
Seville Classics, Inc.  
19401 Harborage Way Torrance, CA 90501 USA  
Telephone: (800) 323-5565 within USA  
Fax: (310) 533-3899  
Hours: 9:00am - 4:30pm (Pacific Standard Time)  
E-mail: [support@sevilleclassics.com](mailto:support@sevilleclassics.com)  
Website & Online Store: [www.sevilleclassics.com](http://www.sevilleclassics.com)

**\*\*\*Please visit our website or call and inquire about our additional UltraHD Line\*\*\***

## UltraHD® Line

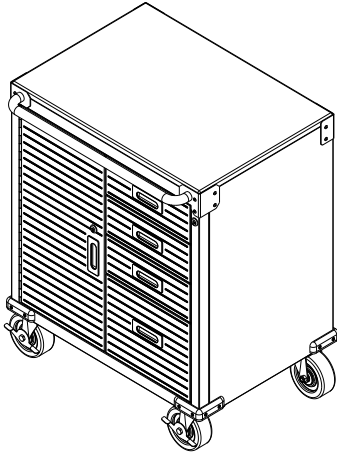


**UltraHD® Tall Storage Cabinet**  
Model No. 16236 (Granite)  
Model No. 20143 (Graphite)  
Model No. 20153 (Red)  
Model No. 20133 (White)

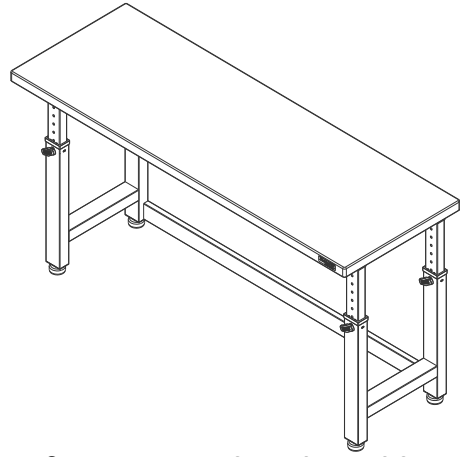


**UltraHD® Mega Storage Cabinet**  
Model No. 16238 (Granite)  
Model No. 20148 (Graphite)  
Model No. 20158 (Red)  
Model No. 20138 (White)

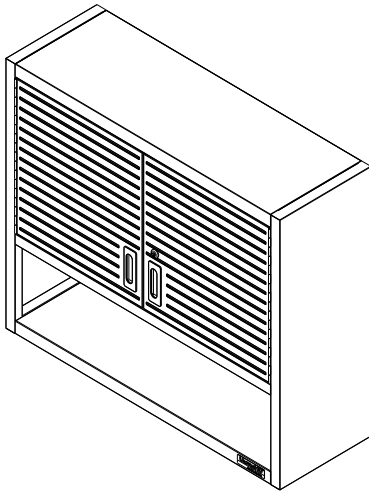
# UltraHD® Line



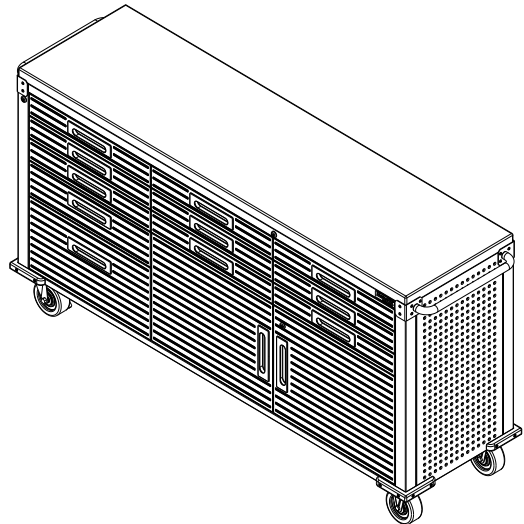
**UltraHD® 4-Drawer Rolling Cabinet**  
Model No. 20205 (Granite)  
Model No. 20252 (Graphite)  
Model No. 20258 (White)



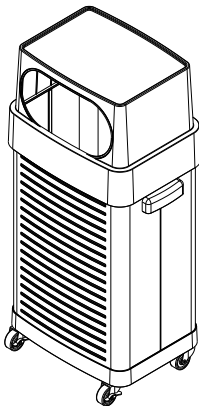
**UltraHD® 6-Foot Height Adjustable Workbench**  
Model No. 20292 (Granite)  
Model No. 20293 (Graphite)



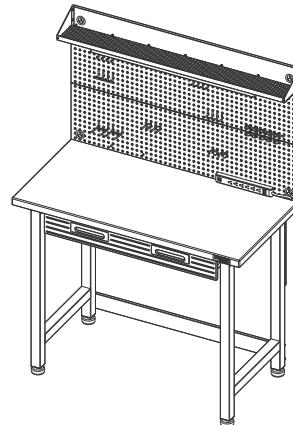
**UltraHD® Wall Cabinet with Open Shelf**  
Model No. 20230 (Granite)  
Model No. 20140 (Graphite)  
Model No. 20150 (Red)



**UltraHD® 2-Door Rolling Workbench**  
Model No. 20262 (Granite)  
Model No. 20142 (Graphite)  
Model No. 20152 (Red)



**UltraHD® Rolling Trash Bin**  
Model No. 20215



**UltraHD® Lighted Workcenter**  
Model No. 20247 (Granite)  
Model No. 20246 (Graphite)  
Model No. 20157 (Red)