



Assembly Instructions & User's Manual

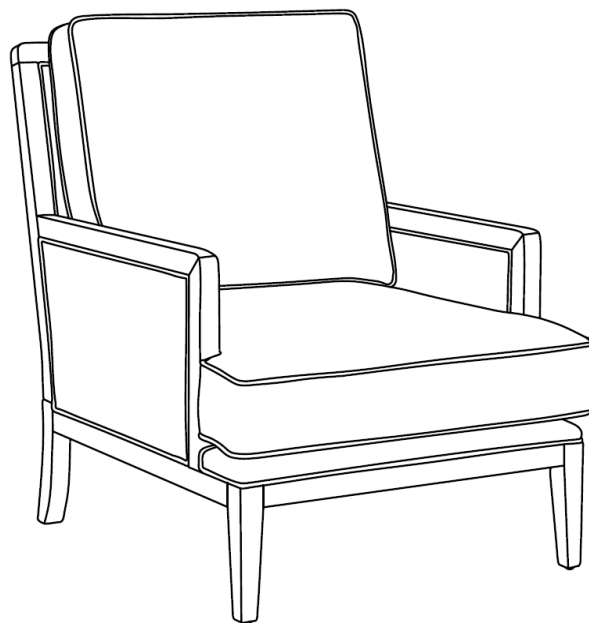
for

Savannah Accent Chair

Item Number: 980297334



Model Number: 1506S-7698BS-48

Customer Assistance (spare/replacement parts): 1-800-379-9773



THIS ASSEMBLY MANUAL CONTAINS IMPORTANT SAFETY INFORMATION.
PLEASE READ AND KEEP FOR FUTURE REFERENCE.

Table of Contents

Quality Statement	3
Important Safety Information	3
Before Assembly	3
Care & Use	3
Product Information	4
Components	4
Hardware	4
Tools	5
Step 1	5
Step 2	6
Correct leg position	7
Step 3	8
 Warning	8
 Danger	8
Troubleshooting	9
Care & Use Instructions	9
Technical Data	9
Warranty Information	9

Quality Statement

Questions or Comments?

We would love to hear about your Member's Mark experience! Visit us at: samsclub.com/membersmarkhelp

Important Safety Information

- *Please read all instructions carefully before assembling this product.*
- *Where applicable, and for your safety, assembly by an adult is strongly recommended.*
- *Use only vendor-supplied hardware to assemble this item. Using unauthorized hardware could jeopardize the structural integrity of the item.*
- *Hardware may loosen overtime. Periodically check that all connections are tight.*

Before Assembly

- *Remove all parts and hardware from the box. Place all items on a carpeted or scratch-free work surface, as this will avoid damaging parts during assembly.*
- *The shipping box can provide an ideal work surface if none is available.*
- *Use the components and hardware lists below to identify, inventory and separate each of the hardware and components included.*
- *To avoid accidentally discarding small components or hardware, do not dispose of any packaging or contents of the shipping carton until assembly is complete.*
- **DO NOT USE** power tools unless it is explicitly identified in this manual as required for use during assembly. Power tools can damage the fasteners, hardware and/or components.
- *Do not fully tighten all fasteners / screws until all parts are in place. Failure to follow these instructions may cause the fasteners / screws to misalign during assembly.*

Care & Use

- *Use a soft, clean cloth that will not scratch the surface when cleaning.*
- **NOTE:** *Do not place furniture in direct sunlight and keep furniture at least 60 cm / 2 ft from heat sources to avoid fading.*

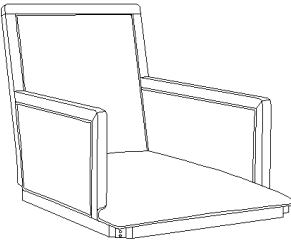

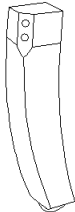
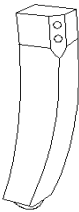
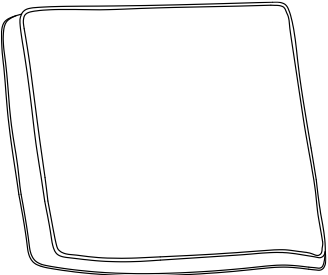
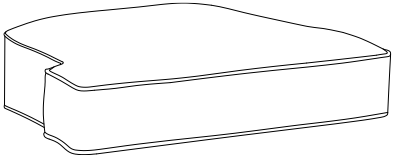
Need Assistance? Visit us at: samsclub.com/membersmarkhelp

Product Information


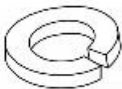
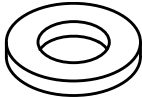
Dimensions: **29.5" x 38" x 36.5" (74.9cm x 96.5cm x 92.7cm)**

Weight Capacity : **Supports up to 300 lbs. (136 kg.)**

Components

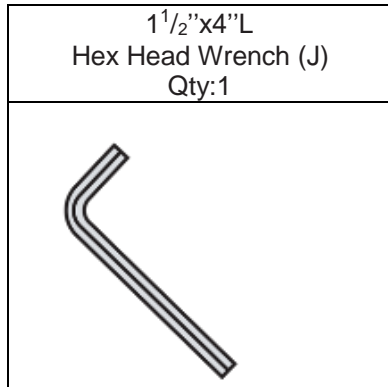
<p>(A) Chair Qty:1</p>	<p>(B) Front leg Qty: 2</p>	<p>(C) Left back leg Qty: 1</p>
		
<p>(D) Right back leg Qty: 1</p>	<p>(E) Back cushion Qty: 1</p>	<p>(F) Seat cushion Qty: 1</p>
		

Hardware

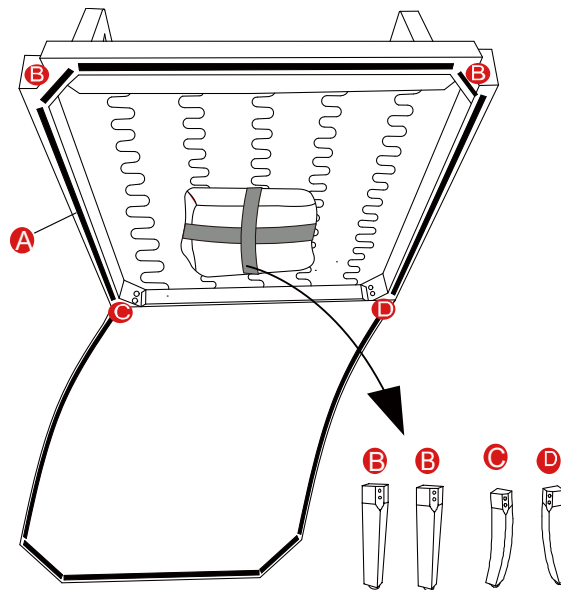
<p>5/16"x2³/₈"L Screw (G) Qty: 8</p>	<p>Spring Washer (H) Qty: 8</p>	<p>Flat Washer (I) Qty: 8</p>
		

Need Assistance? Visit us at: samsclub.com/membersmarkhelp

Tools



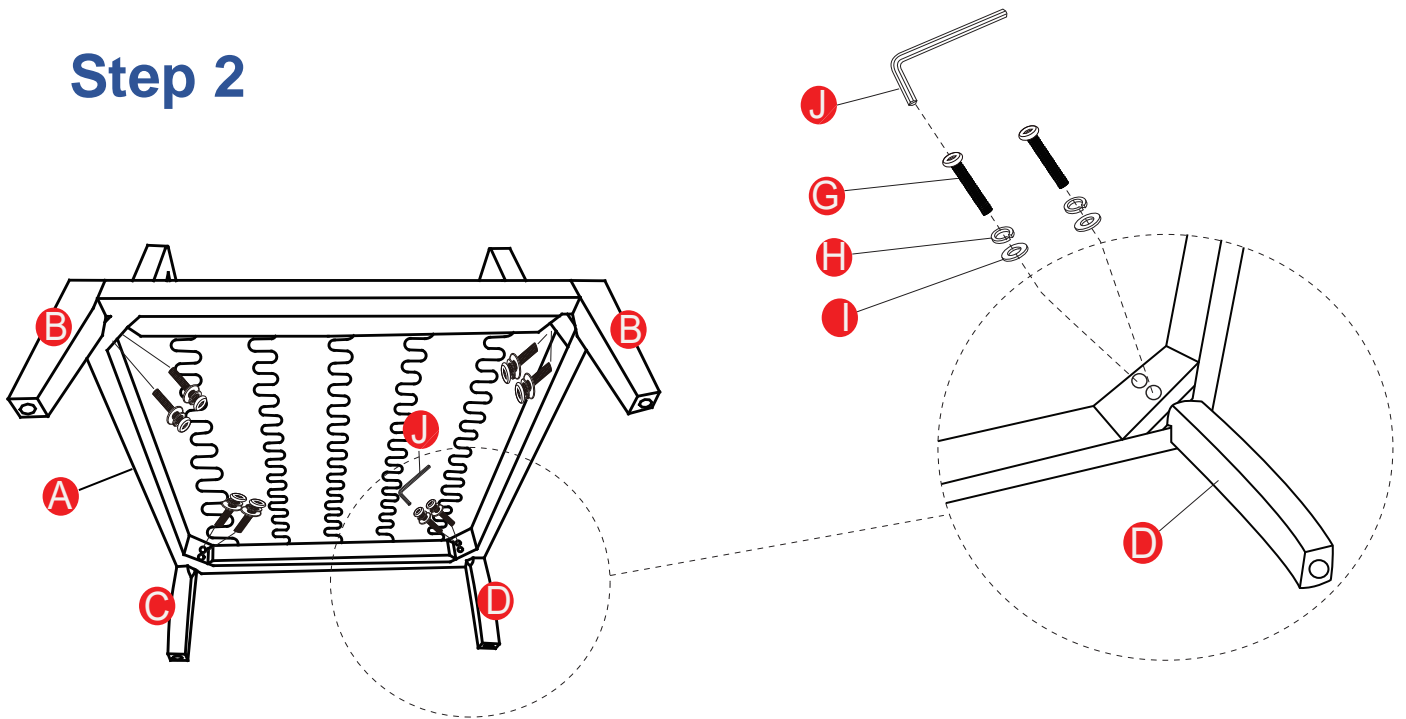
Step 1



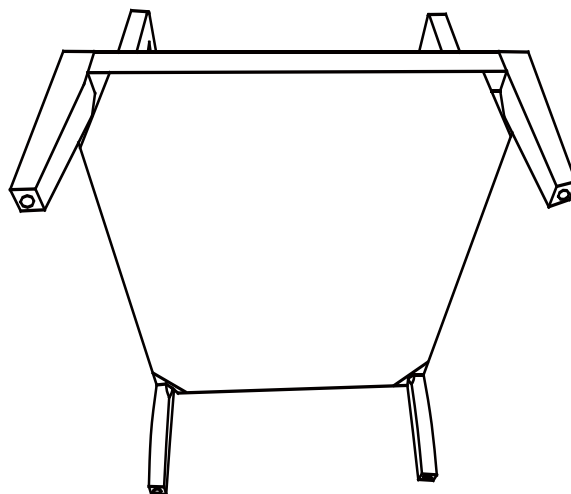
Open the non-woven cover, Remove all parts from the carton and separate them into part number groups as indicated in the parts list. Place the Chair (A) upside down on a clean surface. Remove legs from box underneath the chair as shown above.

Need Assistance? Visit us at: [samsclub.com/membersmarkhelp](https://www.samsclub.com/membersmarkhelp)

Step 2



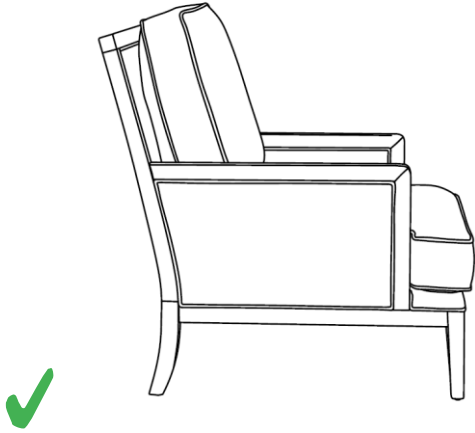
Insert front legs (B) and back legs (C& D) into the coordinating holes marked on the base of the chair as shown. Attach legs to chair using screws (G) and washers (H&I). Tighten all screws securely using hex head wrench (J).



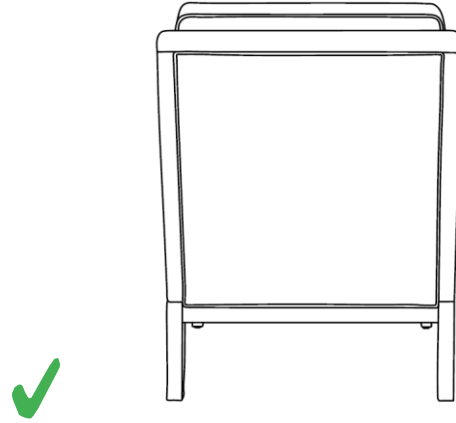
After tightening all screws securely, close the non-woven cover as shown.

Need Assistance? Visit us at: [samsclub.com/membersmarkhelp](https://www.samsclub.com/membersmarkhelp)

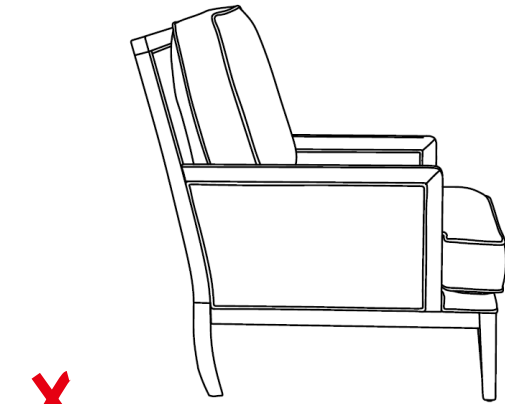
CORRECT LEG POSITION



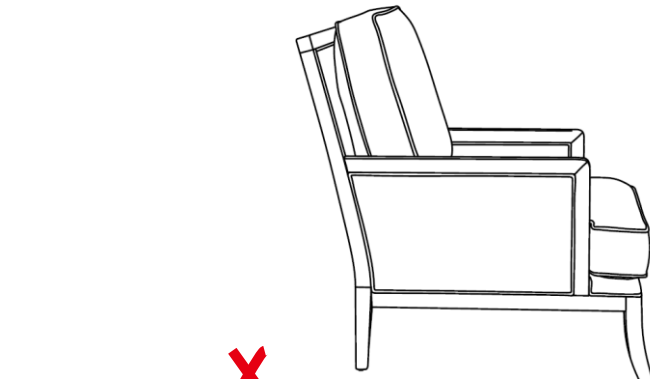
Correct side view



Correct back view



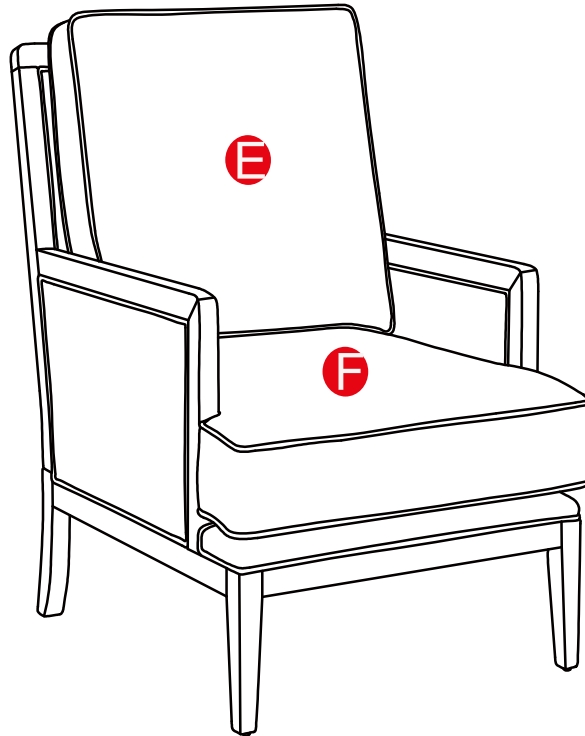
Incorrect side view



Incorrect side view

Need Assistance? Visit us at: [samsclub.com/membersmarkhelp](https://www.samsclub.com/membersmarkhelp)

Step 3



Turn the chair upright. Place back cushion (E) and seat cushion (F) on the chair. Confirm the leg position is correct as shown in the drawing. Chair is now ready for use.



Warning

- Don't install the front legs(B) and back legs(C&D) upside down.
- Please make sure all screws are tightened securely, otherwise it may affect the use of the chair.



Danger

Don't drag the chair on the floor.

Need Assistance? Visit us at: [samsclub.com/membersmarkhelp](https://www.samsclub.com/membersmarkhelp)

Troubleshooting

Problem	Possible Cause	Prevention / Solution
Tilting / Leaning	Surface not level	Place the chair on the level surface.
Shaking	Screw is not tightened	Check and tighten the screw

Care & Use Instructions

1. Do not stand on the seat cushion.
2. For indoor use only.
3. Please do not expose to direct sunlight.
4. Please do not place this product near sources of excessive heat.
5. Please avoid use of sharp objects on or near this product.
6. Use fabric/upholstery cleaner on spills and marks, as general household cleaners can damage fibers and discolor fabrics.
7. Clean spills/marks immediately, as stains are harder to remove when they are left unattended.
8. For persistent stains and overall cleaning, contact a professional upholstery cleaning company.

Technical Data

NA

Warranty Information

This product component has a 1 year guarantee against defects in material and/or workmanship. If you have any questions regarding the warranty or spare / replacement parts, please call our toll-free number 1-800-379-9773.

Need Assistance? Visit us at: [samsclub.com/membersmarkhelp](https://www.samsclub.com/membersmarkhelp)

NOTE: Please consider recycling all applicable packaging material.

Distributed by Sam's West Inc.
2101 SE Simple Savings Dr.
Bentonville, Arkansas 72716-0745

Made in Vietnam



Need Assistance? Visit us at: [samsclub.com/membersmarkhelp](https://www.samsclub.com/membersmarkhelp)