



Assembly Instructions & User's Manual

for

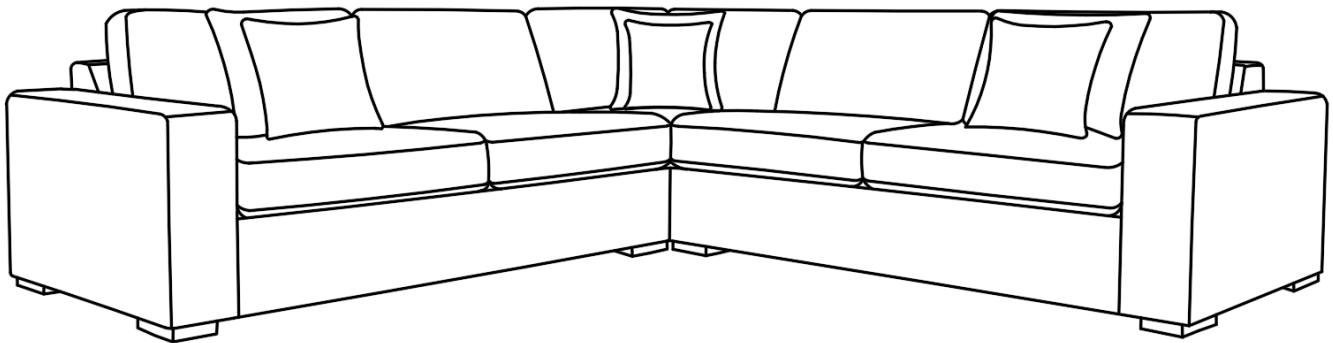
Member's Mark Lowell 3-Piece Sectional

Item Number: 990308203

Model Number: SHF-MM02-GS-DI


Customer Assistance (spare/replacement parts): 1-888-406-0838

or Email: samsclub@abbysliving.com



THIS ASSEMBLY MANUAL CONTAINS IMPORTANT SAFETY INFORMATION.
PLEASE READ AND KEEP FOR FUTURE REFERENCE.

Table of Contents

| | |
|--|----|
| Quality Statement..... | 3 |
| Important Safety Information | 3 |
| Before Assembly | 3 |
| Care & Use | 3 |
| Package Contents..... | 4 |
| Product Information | 5 |
| Components | 5 |
| Hardware | 6 |
| Step 1 | 6 |
| Step 2 | 6 |
| Step 3 | 7 |
| Step 4 | 7 |
| Step 5 | 8 |
| Step 6 | 9 |
|  Warning..... | 10 |
| Troubleshooting..... | 10 |
| Care & Use Instructions | 10 |
| Storage Instructions..... | 10 |
| Warranty Information | 11 |

Quality Statement

Questions or Comments?

We would love to hear about your Member's Mark experience! Visit us at: samsclub.com/membersmarkhelp

Important Safety Information

- Please read all instructions carefully before assembling this product.
- Where applicable, and for your safety, assembly by an adult is strongly recommended.
- Use only vendor-supplied hardware to assemble this item. Using unauthorized hardware could jeopardize the structural integrity of the item.
- Hardware may loosen overtime. Periodically check that all connections are tight.
- Keep small parts and hardware out of the reach of children.
- Keep instructions for future use.

Before Assembly

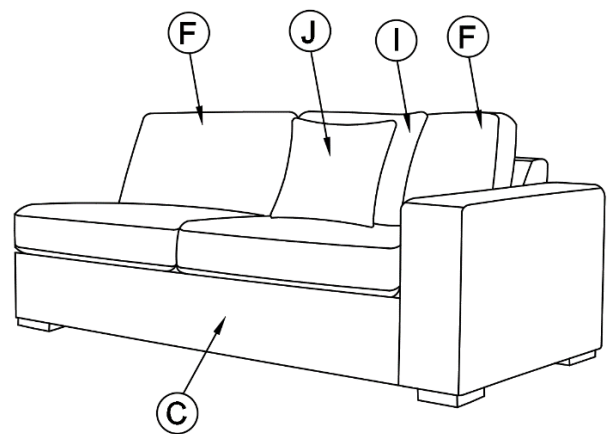
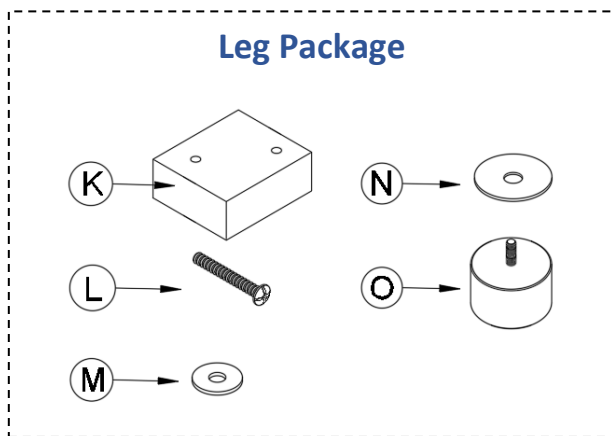
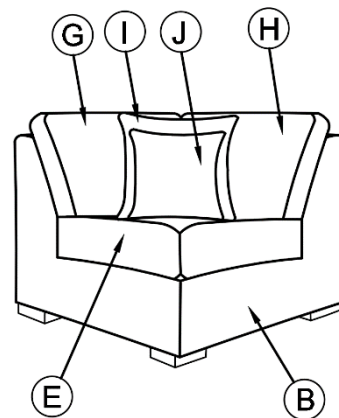
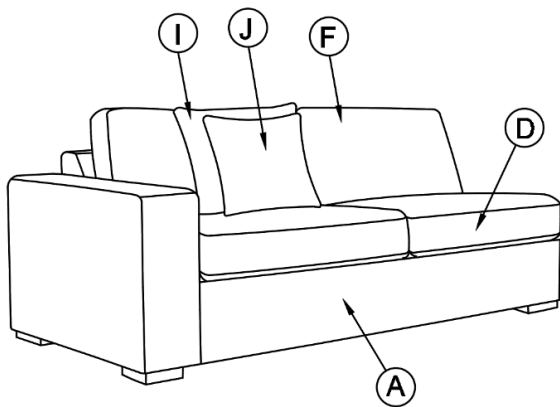
- Remove all parts and hardware from the box. Place all items on a carpeted or scratch-free work surface, as this will avoid damaging parts during assembly.
- The shipping box can provide an ideal work surface if none is available.
- Use the components and hardware lists below to identify, inventory and separate each of the hardware and components included.
- To avoid accidentally discarding small components or hardware, do not dispose of any packaging or contents of the shipping carton until assembly is complete.
- **DO NOT USE** power tools unless it is explicitly identified in this manual as required for use during assembly. Power tools can damage the fasteners, hardware and/or components.
- Do not fully tighten all fasteners / screws until all parts are in place. Failure to follow these instructions may cause the fasteners / screws to misalign during assembly.

Care & Use

- Use a soft, clean cloth that will not scratch the surface when cleaning.
- Be sure to vacuum on a weekly basis so dust and dirt do not settle into the upholstery.
- Wrinkles in the upholstery are a natural part of normal wear.
- Fabric can fade when exposed to direct sunlight over a long period of time.
- To minimize fading, avoid placing your furniture in direct sunlight.
- Avoid cleaners which use chemical products. Many of these are harsh and not safe for use on upholstery.

- Stress to the fabric may result in tears and when stretched, upholstery may not completely return to its original shape.
- Avoid sitting in one area and use the seating areas evenly for even wear.
- Fabric is not resistant to animals. Allowing pes on your upholstered furniture is not recommended.
- If pillow cushions are sewn to the frame, any pulling, or tugging may result in a tear.

Package Contents



| Component | Description | Quantity | Component | Description | Quantity |
|-----------|-------------------------|----------|-----------|-----------------------|----------|
| A | LAF Loveseat | 1 | J | Accent Pillow | 3 |
| B | Corner | 1 | K | Leg | 12 |
| C | RAF Loveseat | 1 | L | Bolt M6x50mm | 24 |
| D | Seat Cushion - Loveseat | 4 | M | Washer | 24 |
| E | Seat Cushion - Corner | 1 | N | Flat Washer - Plastic | 2 |
| F | Back Cushion - Loveseat | 4 | O | Leg Support | 2 |
| G | Back Cushion - Corner | 1 | | | |
| H | Back Cushion - Corner | 1 | | | |
| I | Pillow | 3 | | | |

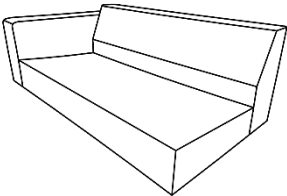
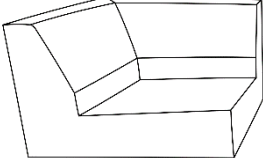
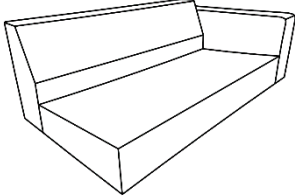
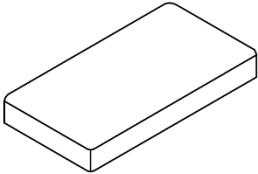
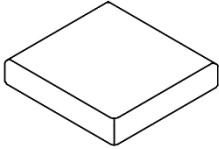


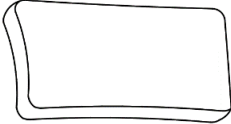
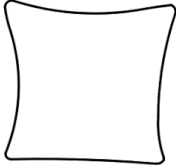
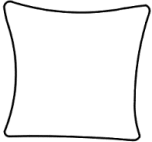
Need Assistance? Visit us at: samsclub.com/membersmarkhelp

Product Information

Overall Product Dimensions – 114"x114"x32.5" (289.5cm x 289.5cm x 82.6cm)

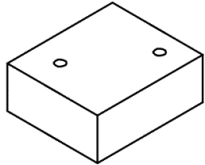




Product Weight Capacity – Supports up to 300 lbs. per seat (136.08 kg.)

Components

| | | |
|--|---|---|
| <p>LAF Loveseat (A) Part No. Qty: 1</p>  | <p>Corner (B) Part No. Qty: 1</p>  | <p>RAF Loveseat (C) Part No. Qty: 1</p>  |
| <p>Seat Cushion - Loveseat (D) Part No. Qty: 4</p>  | <p>Seat Cushion - Corner (E) Part No. Qty: 1</p>  | <p>Back Cushion - Loveseat (F) Part No. Qty: 4</p>  |
| <p>Back Cushion – Left Corner (G) Part No. Qty: 1</p>  | <p>Back Cushion – Right Corner (H) Part No. Qty: 1</p>  | <p>Accent Pillows – 18 inches (I) Part No. Qty: 3</p>  |
| <p>Account Pillows – 16 inches (J) Part No. Qty: 3</p>  | | |

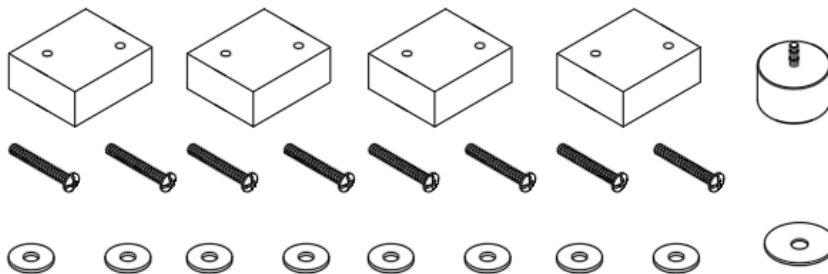
Need Assistance? Visit us at: samsclub.com/membersmarkhelp

Hardware

| | | |
|--|--|--|
| <p>Leg (K) part No. Qty:12</p>  | <p>Bolt M6x50mm (L) part No. Qty: 24</p>  | <p>Washer (M) part No. Qty: 24</p>  |
| <p>Flat Washer - Plastic (N) part No. Qty: 2</p>  | <p>Leg Support (O) part No. Qty: 2</p>  | |

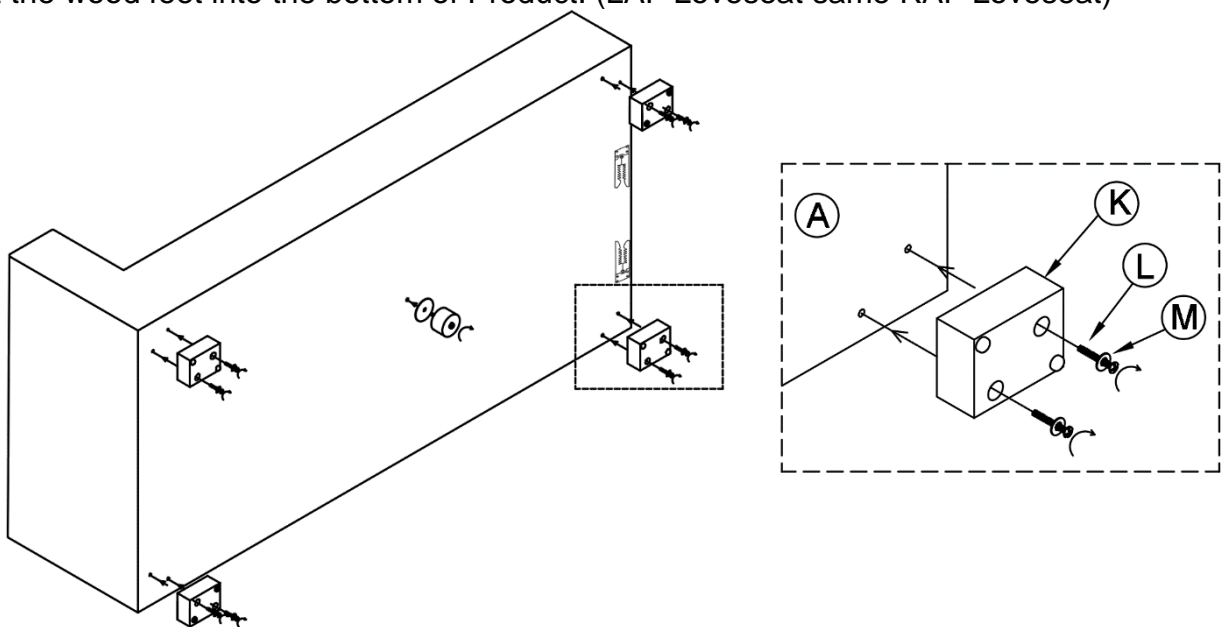
Step 1

Unpack the Legs (K), Leg Support (O), Bolt M6x50mm (L), Flat Washer - Plastic (N) washers (M) from small package LAF Loveseat and RAF Loveseat



Step 2

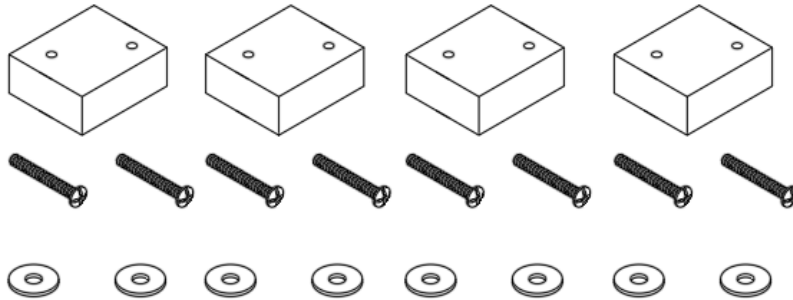
Fit the wood feet into the bottom of Product. (LAF Loveseat same RAF Loveseat)



Need Assistance? Visit us at: samsclub.com/membersmarkhelp

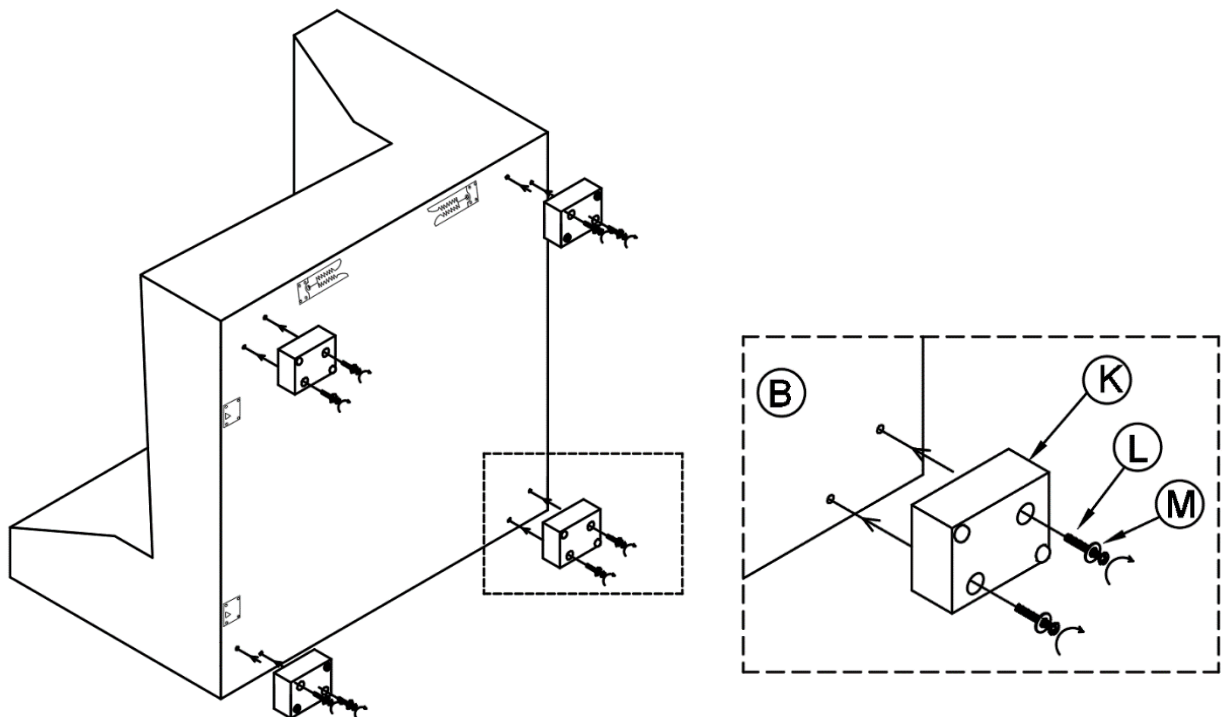
Step 3

Unpack the legs (K), Bolt M6x50mm (L) and washers (M) from small package Corner.



Step 4

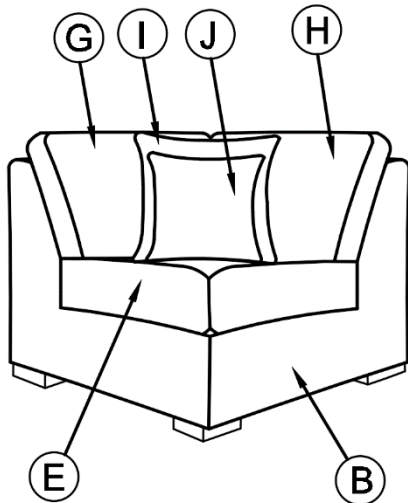
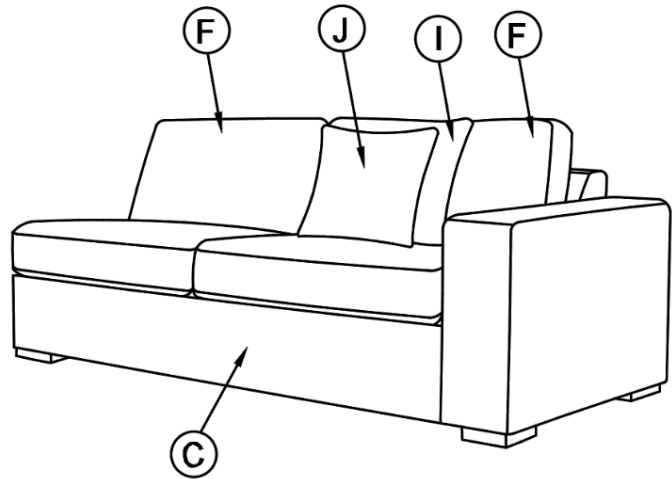
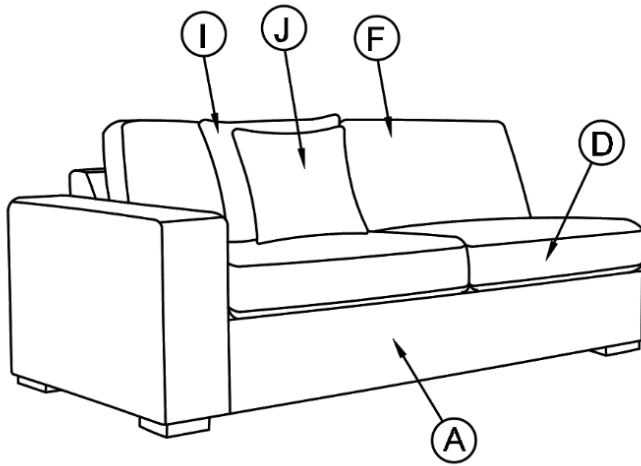
Fit the wood feet into the bottom of Product (Corner).



Need Assistance? Visit us at: [samsclub.com/membersmarkhelp](https://www.samsclub.com/membersmarkhelp)

Step 5

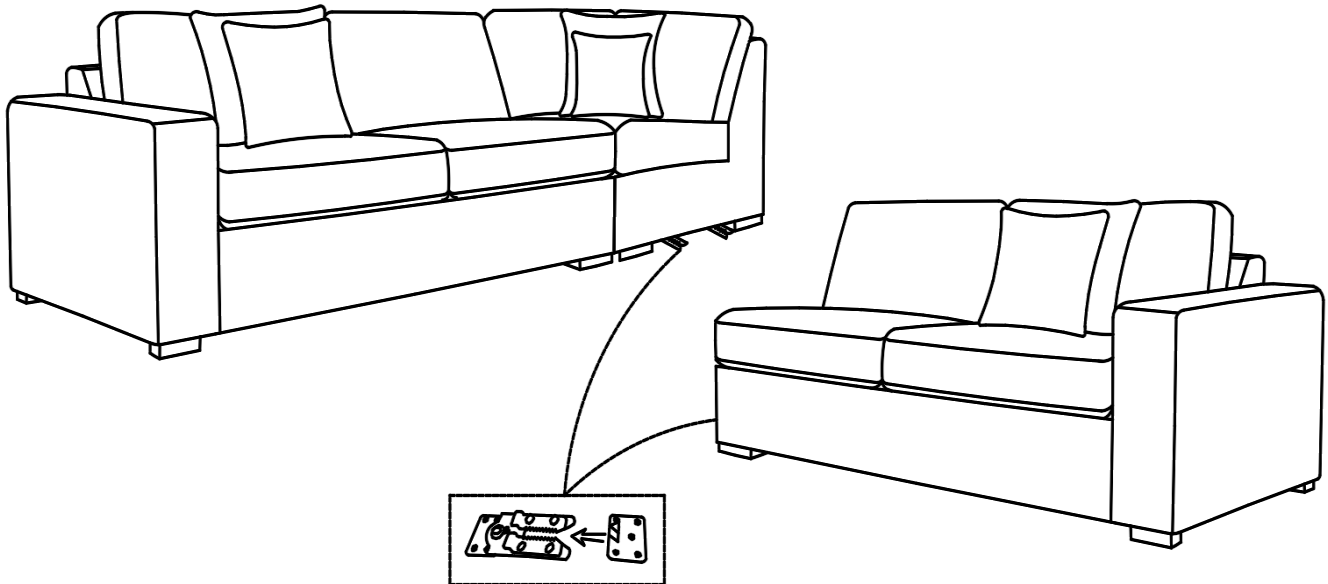
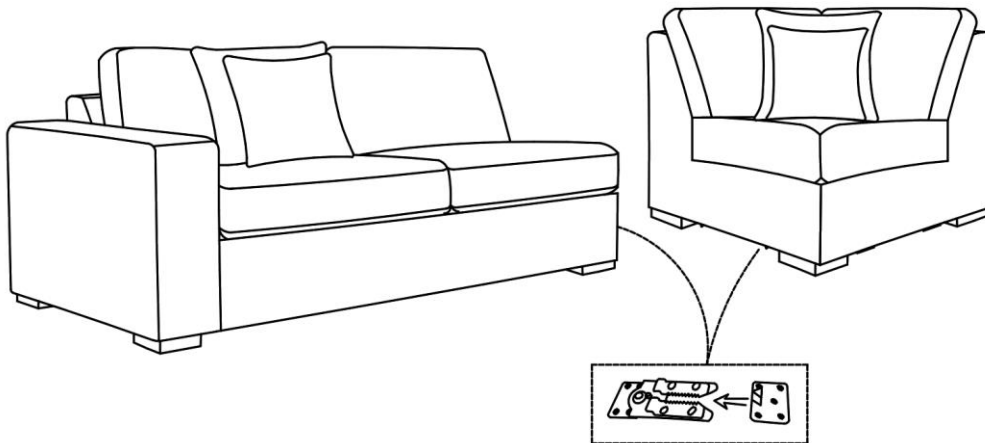
Put the back cushion (F, G, H), seat cushion (D, E) and pillow (I, J) on the product.



Need Assistance? Visit us at: [samsclub.com/membersmarkhelp](https://www.samsclub.com/membersmarkhelp)

Step 6

Connect the sectionals together by locking the alligator snap brackets on the sides of the sectionals into place.



Need Assistance? Visit us at: [samsclub.com/membersmarkhelp](https://www.samsclub.com/membersmarkhelp)

Warning

- Do not use the product unless all screws and bolts are securely tightened.
- Check that all screws and bolts are secure every three months or as needed.
- Dispose of packing material properly. Do not use plastic cover as head covering as it may cause suffocation.
- Do not use this product as a stepladder
- Use this product for intended purpose only.
- Intended for residential use only.

Troubleshooting

| Problem | Possible Cause | Prevention / Solution |
|-------------------|-------------------|---|
| Tilting / Leaning | Surface not level | Orient adjustable feet until level Check all screws and bolts are secure until level |
| | | |

Care & Use Instructions

| | |
|------|--|
| Care | Use a soft untreated cloth or vacuum regularly – avoid using detergents or chemical cleaners. Clean spills immediately. Use a blotting rather than a wiping action. |
| Use | Avoid placing furniture in direct sunlight. Avoid extreme changes in temperature by arranging furniture away from radiators, heat, and air conditioning units. Protect furniture from animals. Fabric is not resistant to animal stains. |

Storage Instructions

| | |
|-------------------|---|
| Item 990308203 | <ol style="list-style-type: none">1. Carefully place all components into shipping box and/or provided container tape it shut.2. When not in use, please store your item in a cool, dry place away from sunlight.3. Exposing your item to excessive heat or humidity may damage your item. |
|-------------------|---|

Need Assistance? Visit us at: [samsclub.com/membersmarkhelp](https://www.samsclub.com/membersmarkhelp)

Warranty Information

Warranty

This product is covered by the Sam's Club Member Satisfaction Guarantee. Please visit samsclub.com for more information.

This product's components have a 1-year guarantee against defects in material and/or workmanship. If you have any questions regarding the warranty or spare / replacement parts, please call our toll-free number 1-888-406-0838 or email us at samsclub@abbysonliving.com

NOTE: Please consider recycling all applicable packaging material.

Distributed by Sam's West Inc.
2101 SE Simple Savings Dr.
Bentonville, Arkansas 72716-0745

Made in Vietnam



Need Assistance? Visit us at: samsclub.com/membersmarkhelp