



# Assembly Instructions & User's Manual

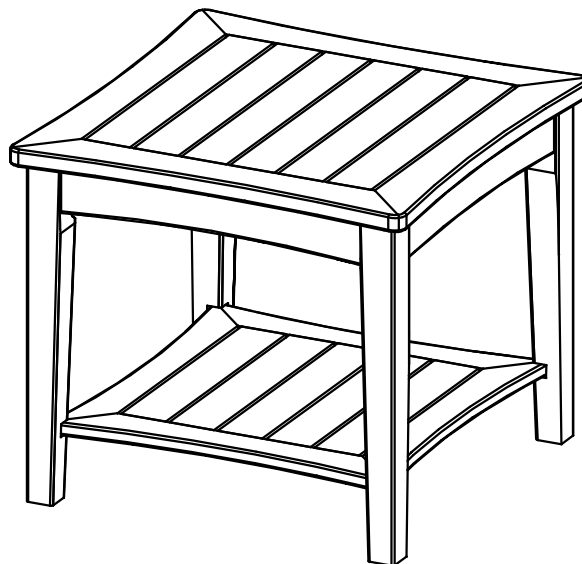
for

## ***Member's Mark Painted End Table***

***Model Number: TM180845***

**Customer Assistance (spare/replacement parts): 1-888-287-4275 (From 9:00 am to 5:00 pm CST, Monday to Friday)**

**or Email: [info@cambridgecasual.com](mailto:info@cambridgecasual.com)**



THIS ASSEMBLY MANUAL CONTAINS IMPORTANT SAFETY INFORMATION.  
PLEASE READ AND KEEP FOR FUTURE REFERENCE.

# Table of Contents

Quality Statement .....	3
Important Safety Information .....	3
Before Assembly .....	3
Care & Use .....	3
Package Contents .....	4
Product Information .....	5
Components .....	5
Hardware .....	5
Tools .....	5
Step 1 - Step 4 .....	6
Troubleshooting .....	7
Care & Use Instruction .....	7
Warranty Information .....	8

# Quality Statement

## Questions or Comments?

We would love to hear about your Member's Mark experience! Visit us at: [samsclub.com/membersmarkhelp](https://samsclub.com/membersmarkhelp)

## Important Safety Information

- *Please read all instructions carefully before assembling this product.*
- *Where applicable, and for your safety, assembly by an adult is strongly recommended.*
- *Use only vendor-supplied hardware to assemble this item. Using unauthorized hardware could jeopardize the structural integrity of the item.*
- *Hardware may loosen overtime. Periodically check that all connections are tight.*

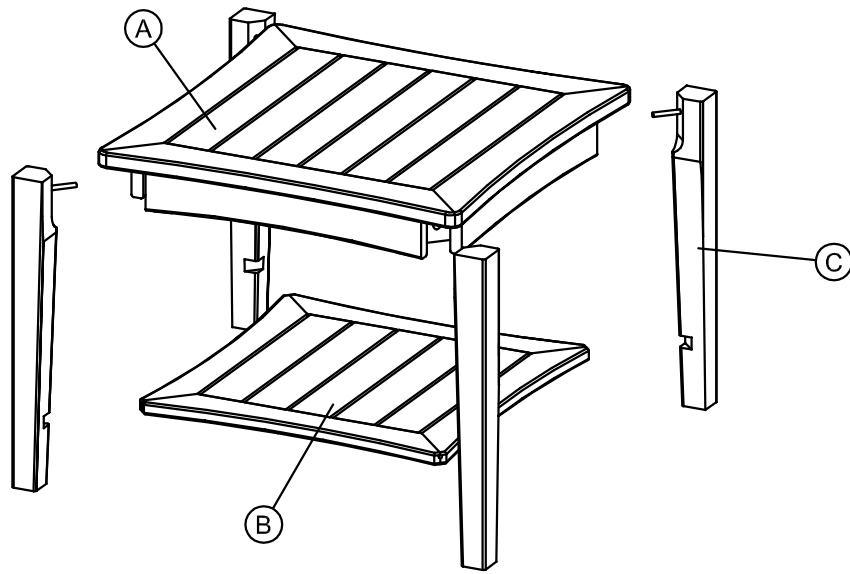
## Before Assembly

- *Remove all parts and hardware from the box. Place all items on a carpeted or scratch-free work surface, as this will avoid damaging parts during assembly.*
- *The shipping box can provide an ideal work surface if none is available.*
- *Use the components and hardware lists below to identify, inventory and separate each of the hardware and components included.*
- *To avoid accidentally discarding small components or hardware, do not dispose of any packaging or contents of the shipping carton until assembly is complete.*
- **DO NOT USE** *power tools unless it is explicitly identified in this manual as required for use during assembly. Power tools can damage the fasteners, hardware and/or components.*
- *Do not fully tighten all fasteners / screws until all parts are in place. Failure to follow these instructions may cause the fasteners / screws to misalign during assembly*

## Care & Use

- *Use a soft, clean cloth that will not scratch the surface when cleaning.*

# Package Contents



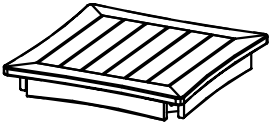
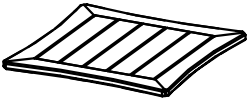
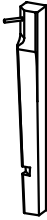
Component	Description	Qty
A	Table Top	1
B	Tray	1
C	Leg	4

# Product Information

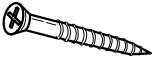
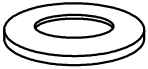

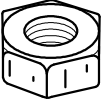
Dimensions : 21" W X 21" D X 18" H (53.5cm X 53.5cm X 46cm)

Weight Capacity : Supports up to 100 lbs (45 kg)

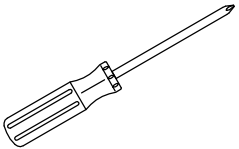
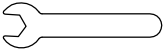
## Components

A. Table Top	B. Tray	C. Leg
		
Qty : 1 Pc	Qty : 1 Pc	Qty : 4 Pcs

## Hardware

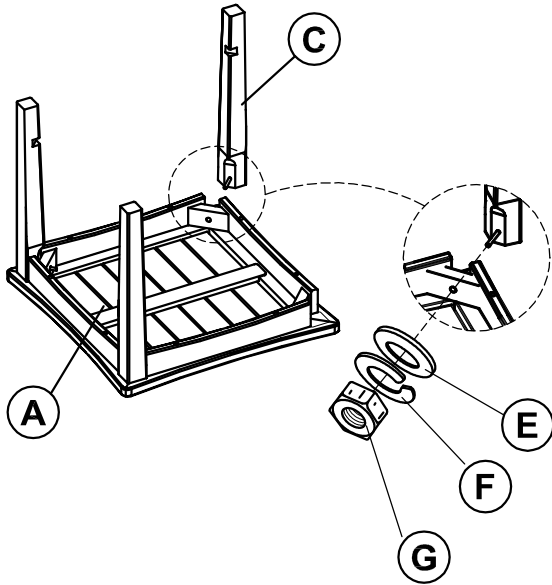
D. 1 1/4" Screw	E. Washer	F. Spring Washer	G. Nut
			
Qty : 4 Pcs + 1	Qty : 4 Pcs + 1	Qty : 4 Pcs + 1	Qty : 4 Pcs + 1

## Tools

8" Philips screwdriver (Not Included)	Wrench (Included)
	

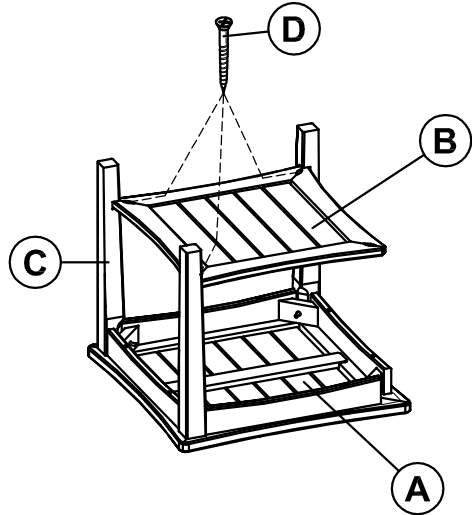
# Step 1 - Step 4

Step 1



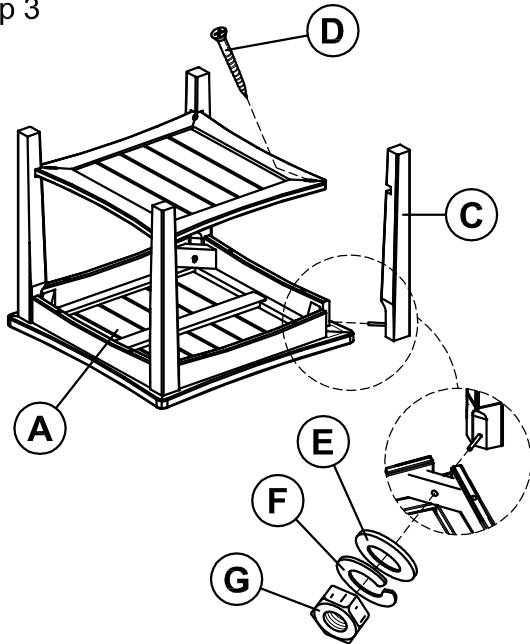
Put the Table Top (A) face down on clean flat surface. Attach 3 pcs Legs (C) to the Table Top (A) and secure each leg with washers (E), Spring Washers (F) and Nuts (G).  
DO NOT FULLY TIGHTEN ALL NUTS YET

Step 2



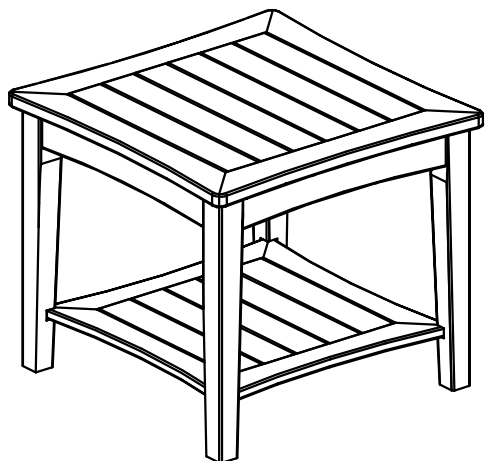
Attach the Tray (B) to the legs (C).  
Secure using 1 1/4" screws (D).

Step 3



Attach the other leg (C) into the top table (A) and tray (B), as diagram shown.  
Secure the leg (C) by repeating step 1 and step 2.

Step 4



Upright the Table.  
Make sure all parts are correctly connected and tighten all nuts using wrench and screws using screwdriver.

**THE TABLE IS NOW READY FOR USE.**

## Troubleshooting

Problem	Possible Cause	Prevention / Solution
Tilting / Leaning	Surface not level	Place it on a level floor
Rickety	Nut not tight enough	Tighten all nuts / screw

## Care & Use Instruction

Wood is a living material that continues to respond to climate condition even after being made into a piece of furniture.

After assembly rub the furniture with soft rag to remove any residual dust. Wood is a natural material whose appearance will change when left outdoors. This product has been treated prior to leaving the factory. To clean, use mild soap and warm water. Do not use abrasive material, cleansers or bleach products, Dry thoroughly with soft cloth,

Even though this piece of furniture is extremely durable and long lasting, to prolong life we recommend bringing it indoors during freezing temperatures. Place it at a shaded area and do not leave it in standing water or on wet ground.

Do not put hot items directly on furniture surface.

Do not store furniture in areas that have central heating or cooling vents to prevent excessive drying of the wood. This will decrease the furniture's longevity.

Do not write on furniture without a padded barrier to protect the surface .

## Warranty Information

This product component has a 1 year frames guarantee against defects in material and/or workmanship. If you have any questions regarding the warranty or spare / replacement parts, please call our toll-free number 1-888-287-4275 (From 9:00 am to 5:00 pm CST, Monday to Friday) or email us at [info@cambridgecasual.com](mailto:info@cambridgecasual.com)

**NOTE:** Please consider recycling all applicable packaging material.

**Distributed by Sam's West Inc.**  
2101 SE Simple Savings Dr.  
Bentonville, Arkansas 72716-0745

Made in INDONESIA

