



# Assembly Instructions & User's Manual

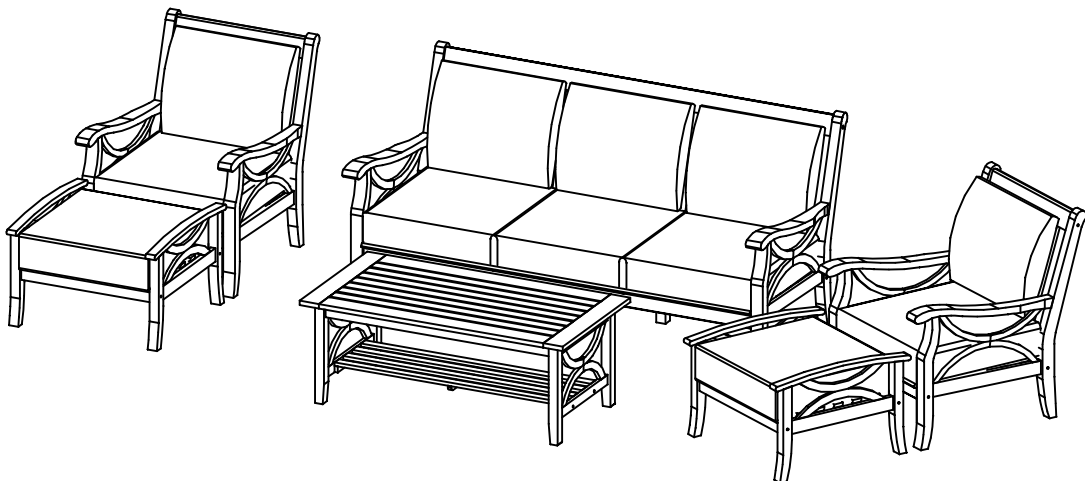
for

## *Member's Mark* *6pc Deep Seating Set*

*Model Number: TM610630*

**Customer Assistance (spare/replacement parts): 1-888-287-4275 (From 9:00 am to 5:00 pm CST, Monday to Friday)**

**or Email: [info@cambridgecasual.com](mailto:info@cambridgecasual.com)**



THIS ASSEMBLY MANUAL CONTAINS IMPORTANT SAFETY INFORMATION.  
PLEASE READ AND KEEP FOR FUTURE REFERENCE.

# Table of Contents

Quality Statement .....	3
Important Safety Information .....	3
Before Assembly .....	3
Care & Use .....	3
Package Contents (Arm Chair) .....	4
Product Information .....	5
Components .....	5
Hardware .....	5
Tools .....	5
Step 1 - Step 4 .....	6
Package Contents (Bench) .....	7
Product Information .....	8
Components .....	8
Hardware .....	9
Tools .....	9
Step 1 - Step 5 .....	10
Package Contents (Table) .....	11
Product Information .....	12
Components .....	12
Hardware .....	12
Tools .....	12
Step 1 - Step 3 .....	13
Package Contents (Stool) .....	14
Product Information .....	15
Components .....	15
Hardware .....	15
Tools .....	15
Step 1 - Step 4 .....	16
Troubleshooting .....	17
Care & Use Instruction .....	17
Warranty Information .....	18

# Quality Statement

## Questions or Comments?

We would love to hear about your Member's Mark experience! Visit us at: [samsclub.com/membersmarkhelp](https://samsclub.com/membersmarkhelp)

## Important Safety Information

- *Please read all instructions carefully before assembling this product.*
- *Where applicable, and for your safety, assembly by an adult is strongly recommended.*
- *Use only vendor-supplied hardware to assemble this item. Using unauthorized hardware could jeopardize the structural integrity of the item.*
- *Hardware may loosen overtime. Periodically check that all connections are tight.*

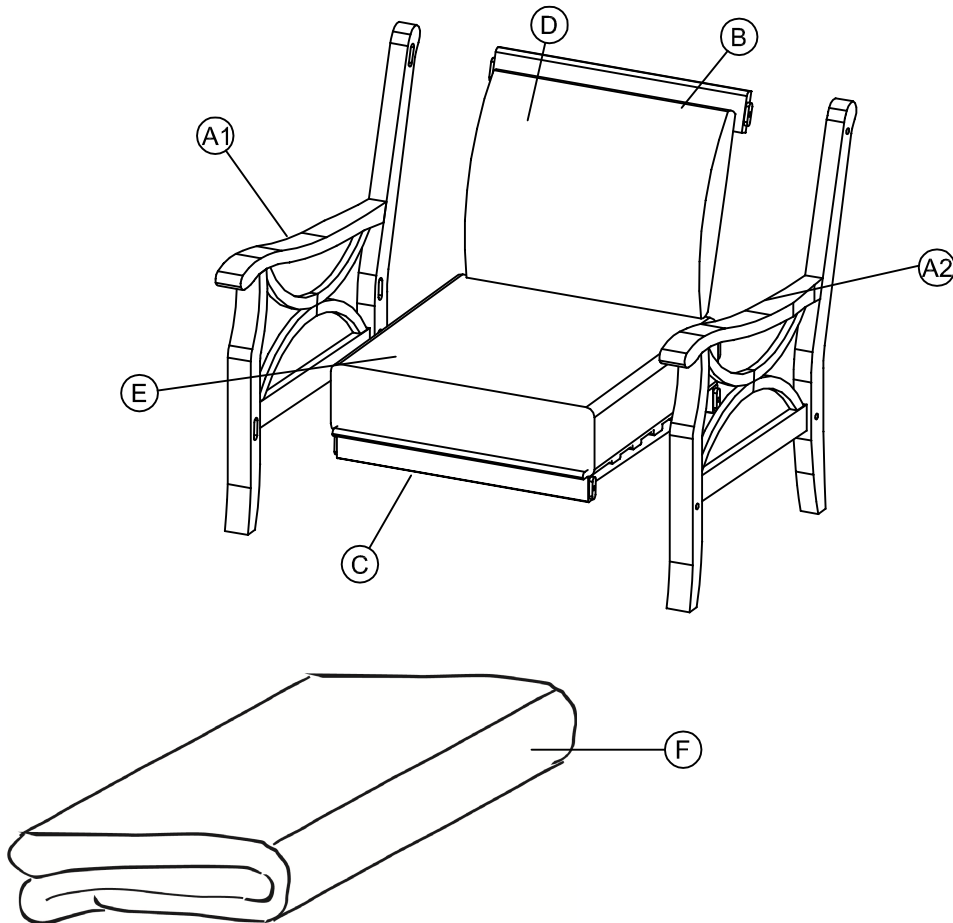
## Before Assembly

- *Remove all parts and hardware from the box. Place all items on a carpeted or scratch-free work surface, as this will avoid damaging parts during assembly.*
- *The shipping box can provide an ideal work surface if none is available.*
- *Use the components and hardware lists below to identify, inventory and separate each of the hardware and components included.*
- *To avoid accidentally discarding small components or hardware, do not dispose of any packaging or contents of the shipping carton until assembly is complete.*
- **DO NOT USE** *power tools unless it is explicitly identified in this manual as required for use during assembly. Power tools can damage the fasteners, hardware and/or components.*
- *Do not fully tighten all fasteners / screws until all parts are in place. Failure to follow these instructions may cause the fasteners / screws to misalign during assembly*

## Care & Use

- *Use a soft, clean cloth that will not scratch the surface when cleaning.*

# Package Contents (Arm Chair)



Component	Description	Qty
A1	Right Side Frame	1
A2	Left Side Frame	1
B	Back Support	1

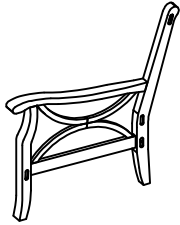
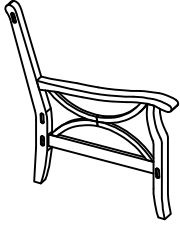
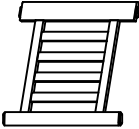
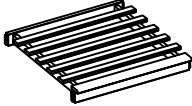
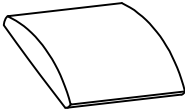
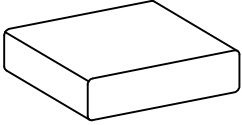
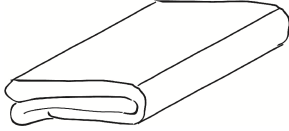
Component	Description	Qty
C	Seat	1
D	Cushion Back Support	1
E	Cushion Seat	1
F	Cover	1

# Product Information (Arm Chair)


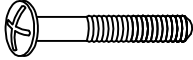

Dimensions : 28 1/4" W X 34 1/4" D X 35" H (72cm X 87cm X 89cm)

Weight Capacity : Supports up to 300 lbs (136 kg)

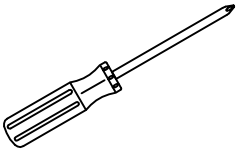
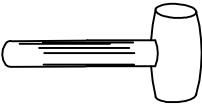
## Components

A1. Right Side Frame	A2. Left Side Frame	B. Back Support	C. Seat
			
Qty : 1 Pc	Qty : 1 Pc	Qty : 1 Pc	Qty : 1 Pc
D. Cushion Back Support	E. Cushion Seat	F. Cover	
			
Qty : 1 Pc	Qty : 1 Pc	Qty : 1 Pc	

## Hardware

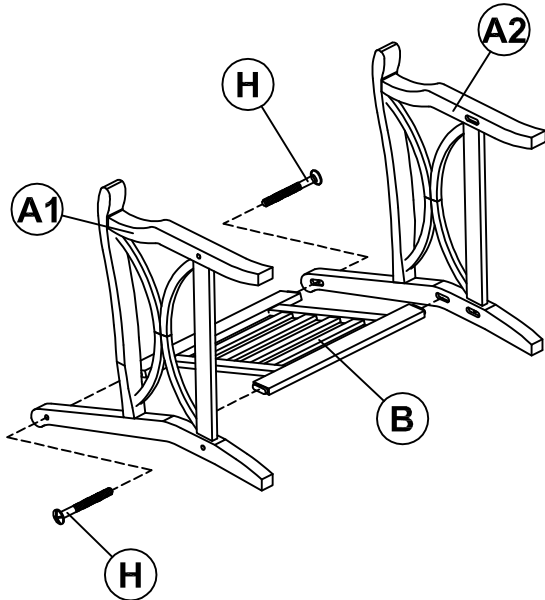
G. 2" Bolt	H. 1 1/2" Bolt	I. Wooden Cap
		
Qty : 2 Pcs + 1	Qty : 4 Pcs + 1	Qty : 6 Pcs + 1

## Tools

8" Philips screwdriver (Not Included)	Rubber mallet (Not Included)
	

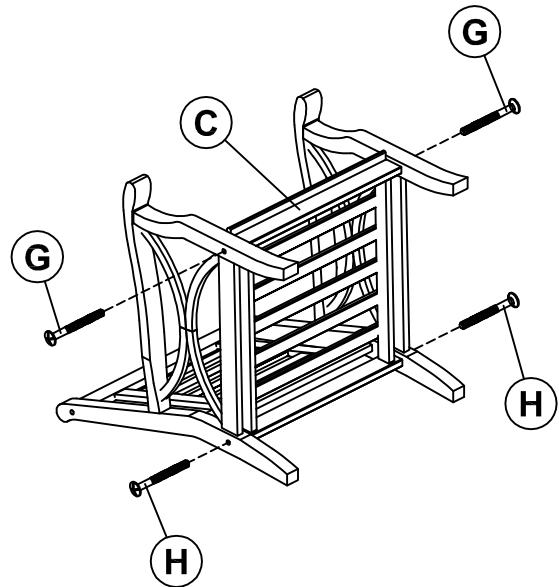
# Step 1 - Step 4 (Arm Chair)

Step 1



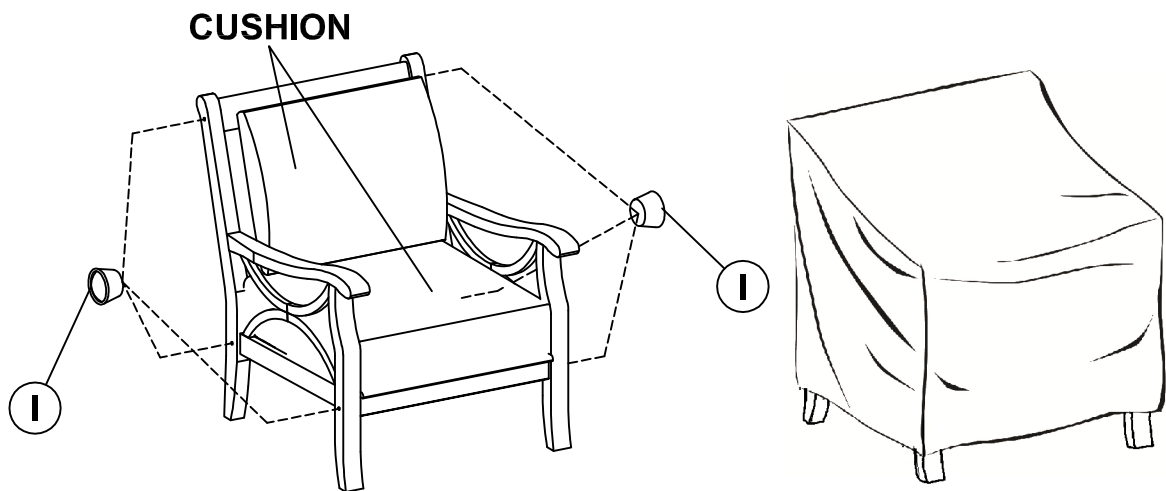
Attach back support (B) into right and left side frame (A1 & A2) to the matching holes.  
Secure using 1 1/2" bolts (H), as shown.  
**\*\* DO NOT TIGHTEN BOLTS YET.**

Step 2



Attach the seat (C) into right and left side frames (A1 & A2). Secure using 2" bolts (G) and 1 1/2" bolts (H), as shown.

Step 3

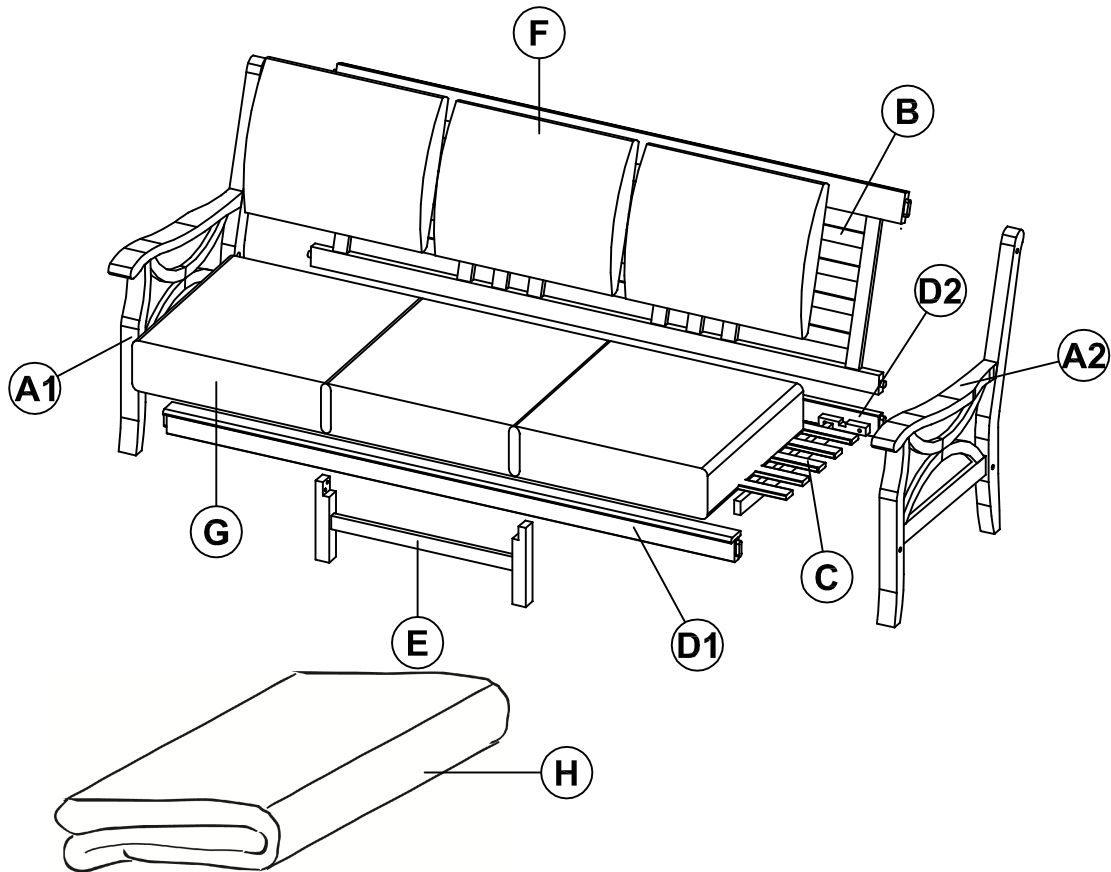


- Make sure all parts are correctly connected and tighten all bolts completely using screwdriver.
- Tapping in the wooden caps (I) to cover bolts head using rubber mallet.
- Install the cushion.

**THE CHAIR IS NOW READY FOR USE**

**\*\*COVER THE CHAIR WHEN NOT IN USE FOR A LONG TIME**

# Package Contents (Bench)



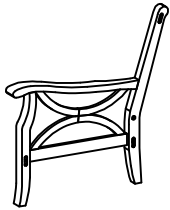

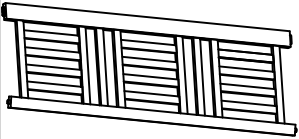
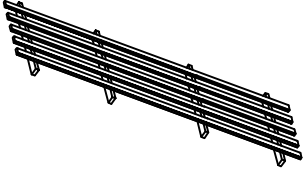



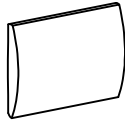
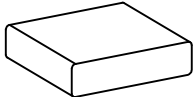
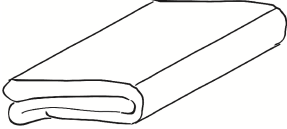
Component	Description	Qty	Component	Description	Qty
A1	Right Side Frame	1	D2	Back apron	1
A2	Left Side Frame	1	E	Leg frame	1
B	Back support	1	F	Cushion Back Support	3
C	Seat	1	G	Cushion Seat	3
D1	Front apron	1	H	Cover	1

# Product Information (Bench)


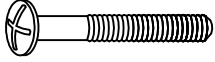


Dimensions : 75 1/2" W X 34 1/4" D X 35" H (192cm X 87cm X 89cm)

Weight Capacity : Supports up to 900 lbs (408 kg)

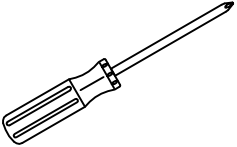
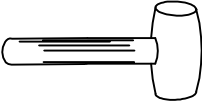
## Components

A1. Right Side Frame	A2. Left Side Frame	B. Back Support	C. Seat
			
Qty : 1 Pc	Qty : 1 Pc	Qty : 1 Pc	Qty : 1 Pc
D1. Front Apron	D2. Back Apron	E. Leg frame	F. Cushion Back Support
			
Qty : 1 Pc	Qty : 1 Pc	Qty : 1 Pcs	Qty : 3 Pcs
G. Cushion Seat	H. Cover		
			
Qty : 3 Pcs	Qty : 1 Pc		

# Hardware

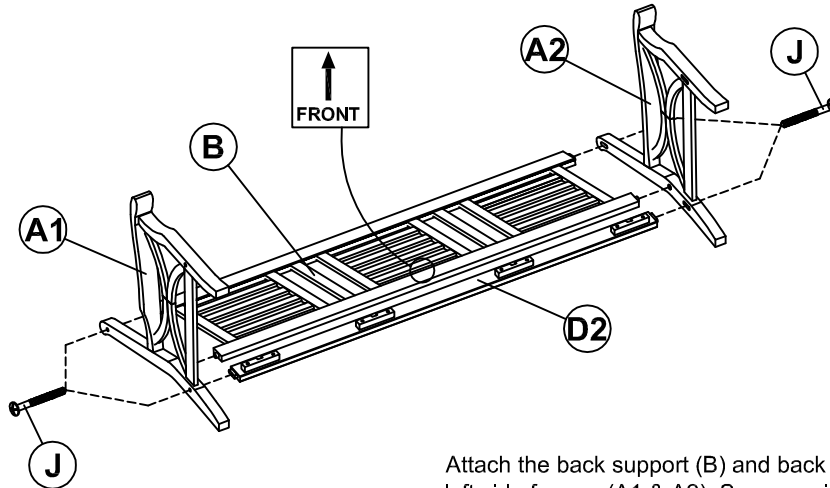
I. 2" Bolt	J. 1 1/2" Bolt	K. 1" Screw	L. Wooden Cap
			
Qty : 2 Pcs + 1	Qty : 8 Pcs + 1	Qty : 4 Pcs + 1	QTY: 6 pcs + 1

# Tools

8" Philips screwdriver (Not Included)	Rubber mallet (Not Included)
	

# Step 1 - Step 5 (Bench)

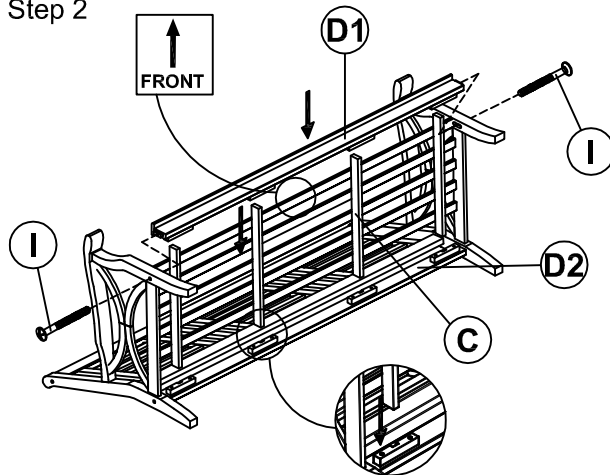
Step 1



Attach the back support (B) and back apron (D2) into right and left side frames (A1 & A2). Secure using 1 1/2" bolts (J) into back support (B) and back apron (D2) as shown.

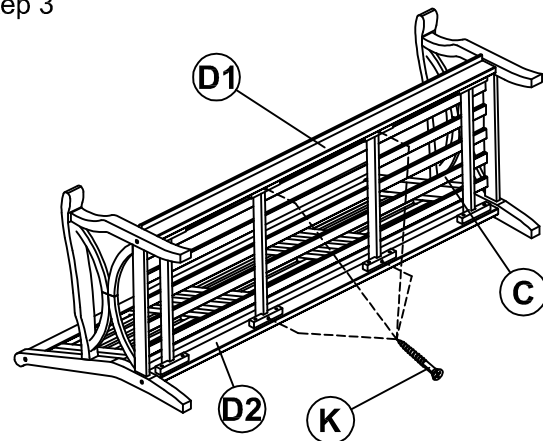
**\*\* DO NOT TIGHTEN BOLTS YET.**

Step 2



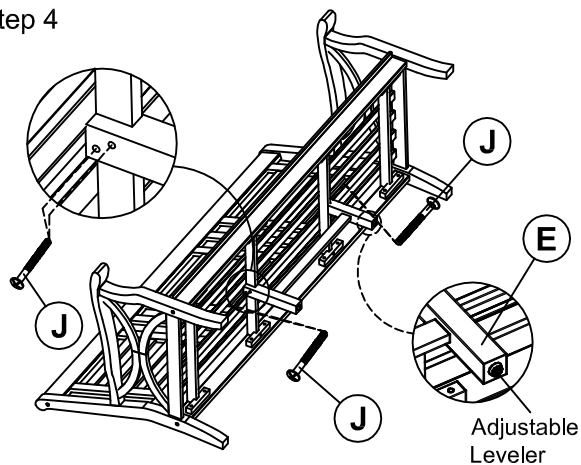
Put the seat (C) into predrilled holes of back apron (D2) as shown. Next, attach the front apron (D1) into right and left side frames (A1 & A2). Secure front apron using 2" bolts (I), as shown.

Step 3



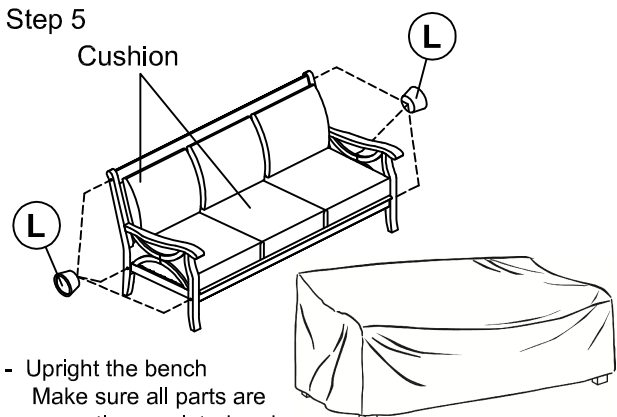
Secure the seat (C) using 1" screws (K) into front apron (D1) and back apron (D2).

Step 4



- Attach the leg frame (E) to bottom seat. Secure the leg frame (E) using 1 1/2" bolts (J), as shown.
- Make sure all parts are correctly connected and tighten all bolts completely using screwdriver.
- To balance the seat height between the middle leg & Bench legs, adjust the leveler until legs balance before using.

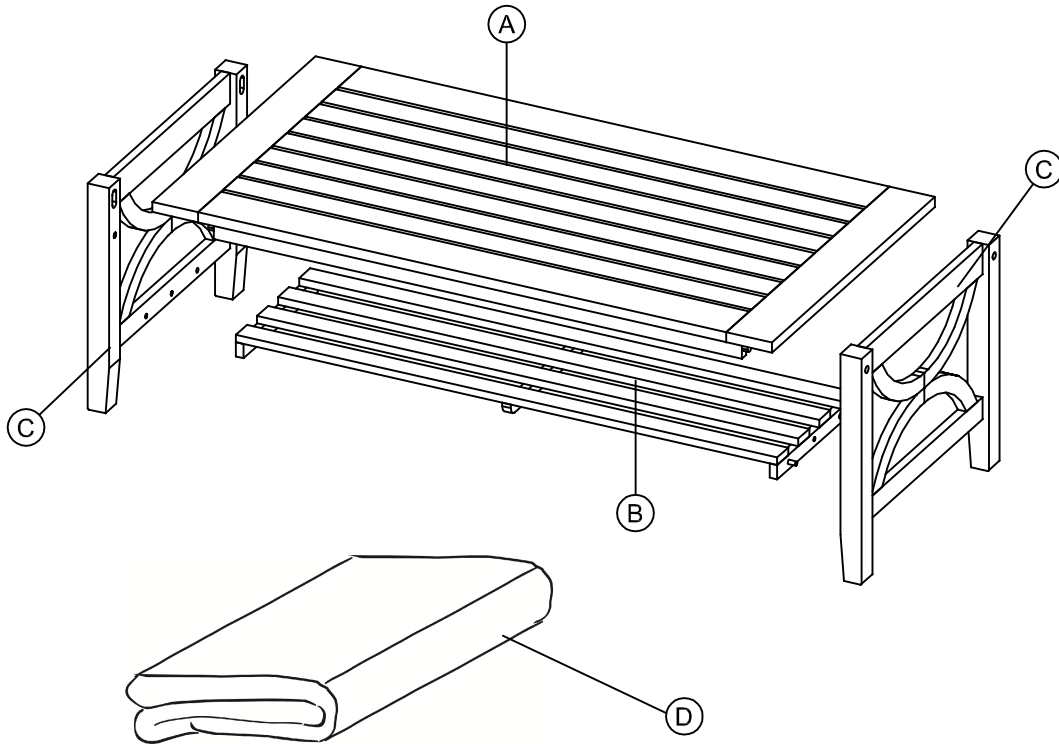
Step 5



- Upright the bench. Make sure all parts are correctly completed and tighten all bolts completely using screwdriver.
- Tapping in the wooden caps (L) to cover bolts head using rubber mallet.
- Install the cushion

**THE LOVESEAT IS NOW READY FOR USE.**  
**\*\*COVER THE BENCH WHEN NOT IN USE FOR A LONG TIME**

# Package Contents (Table)



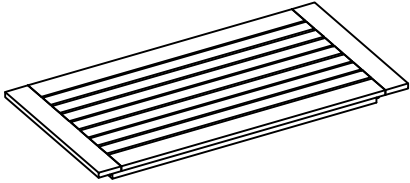
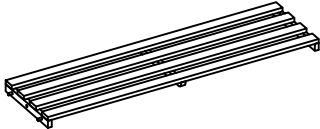
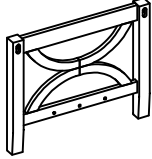
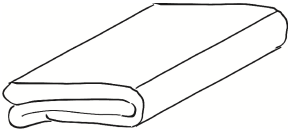
Component	Description	Qty
A	Table Top	1
B	Shelf	1
C	Leg Frame	2
D	Cover	1

# Product Information (Table)

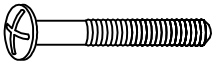


Dimensions : 48" W X 25" D X 18 1/4" H (122cm X 63.5cm X 46.5cm)

Weight Capacity : Supports up to 200 lbs (90 kg)

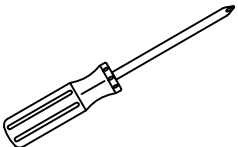
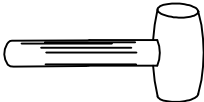
## Components

A. Table Top	B. Shelf	C. Leg Frame
		
Qty : 1 Pc	Qty : 1 Pc	Qty : 2 Pcs
D. Cover		
		
Qty : 1 Pc		

## Hardware

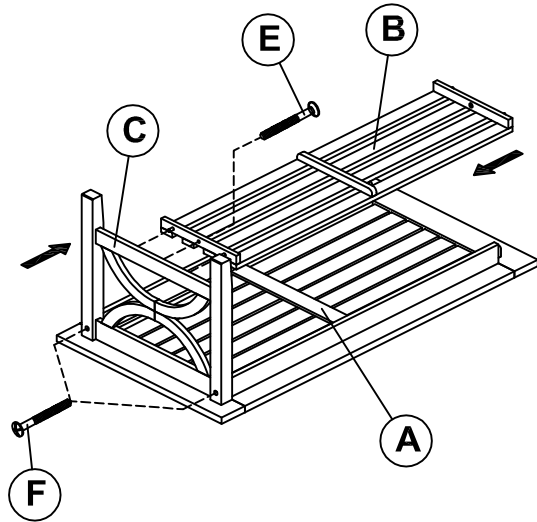
E. 1" Bolt	F. 1 1/2" Bolt	G. Wooden Cap
		
Qty : 2 Pcs + 1	Qty : 4 Pcs + 1	QTY: 4 pcs +1

## Tools

8" Philips screwdriver (Not Included)	Rubber mallet (Not Included)
	

# Step 1 - Step 4 (Table)

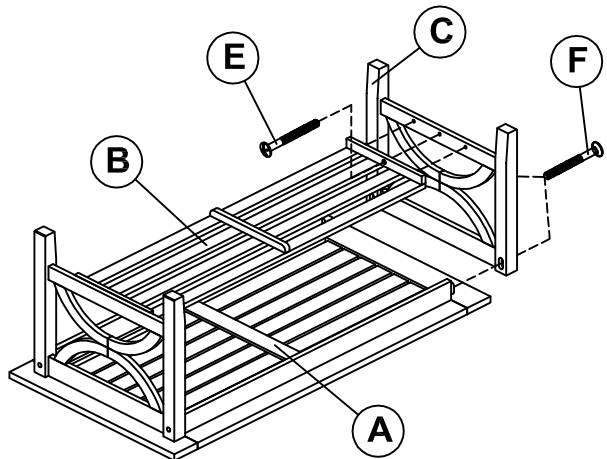
Step 1



Attach the leg frame (C) into corner of table top (A). Secure using 1 1/2" bolts ( F ). Attach the shelf (B) to the leg frame (C) secure using 1" bolt (E).

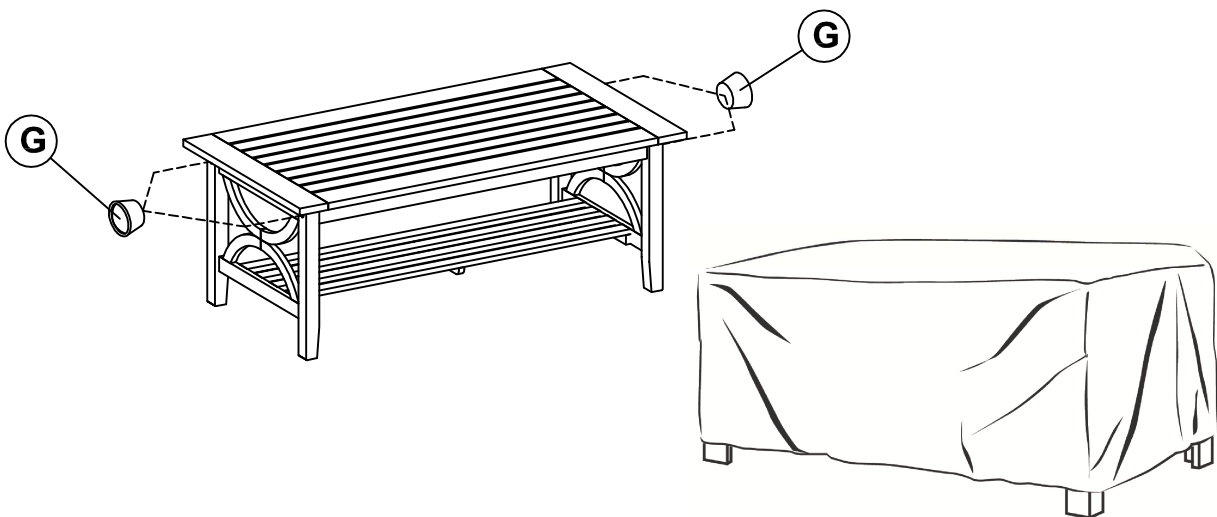
\*\* Do not tighten bolts yet.

Step 2



Attach the leg frame (C) to the previous assembly. Secure using 1 1/2" bolts ( F ) and 1" bolt (E). As shown

Step 3

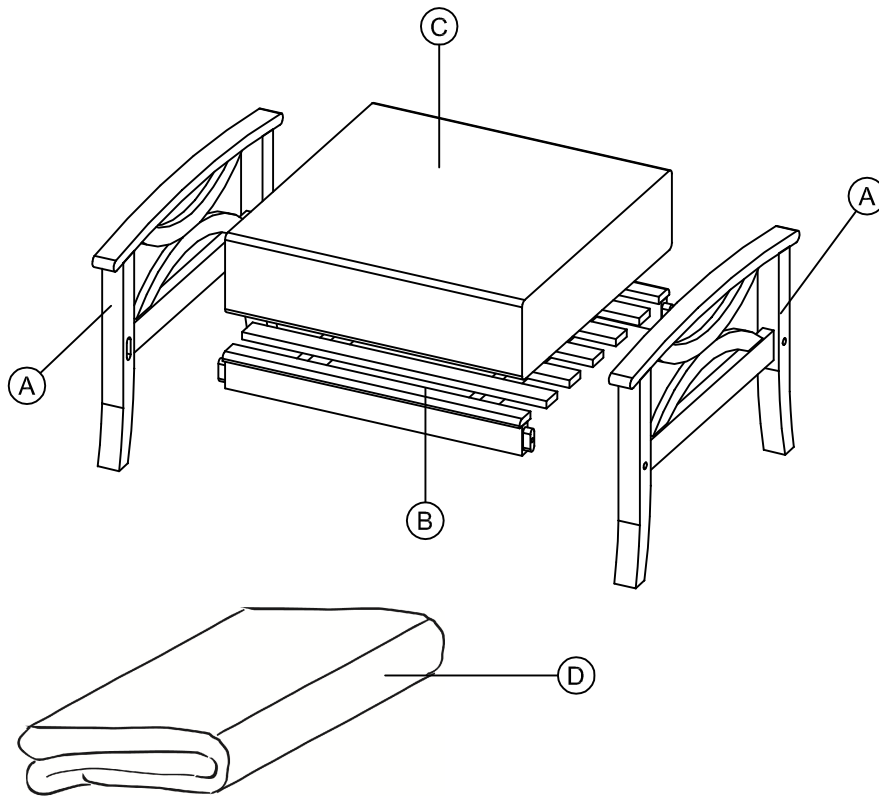


Make sure all parts are correctly connected and tighten all bolts using screwdriver. Tapping in the wooden caps (G) to cover bolts head using rubber mallet.

**THE COFFEE TABLE IS NOW READY FOR USE**

**\*\*COVER THE TABLE WHEN NOT IN USE FOR A LONG TIME**

# Package Contents (Stool)



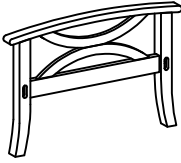
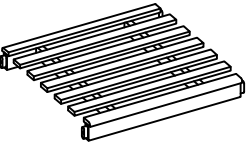
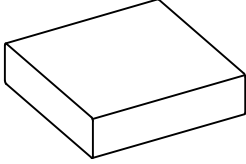
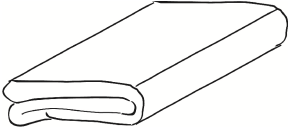
Component	Description	Qty
A	Leg Frame	2
B	Stool	1
C	Cushion	1
D	Cover	1

# Product Information (Stool)



Dimensions : 27" W X 26 3/4" D X 17 3/4" H (68.5cm X 68cm X 45.5cm)

Weight Capacity : Supports up to 300 lbs (136 kg)

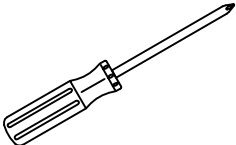
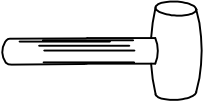
## Components

A. Leg Frame	B. Stool	C. Cushion
		
Qty : 2 Pcs	Qty : 1 Pc	Qty : 1 Pc
D. Cover		
		
Qty : 1 Pc		

## Hardware

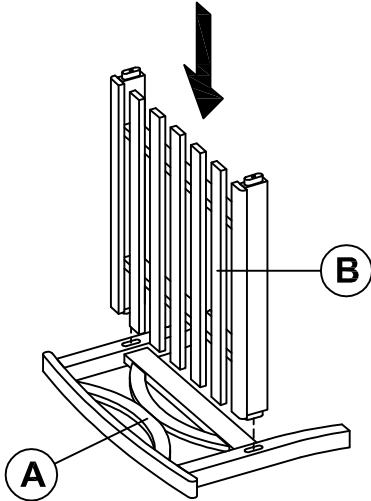
E. 1 1/2" Bolt	F. Wooden Cap
	
Qty : 4 Pcs + 1	QTY: 4 pcs +1

## Tools

8" Philips screwdriver (Not Included)	Rubber mallet (Not Included)
	

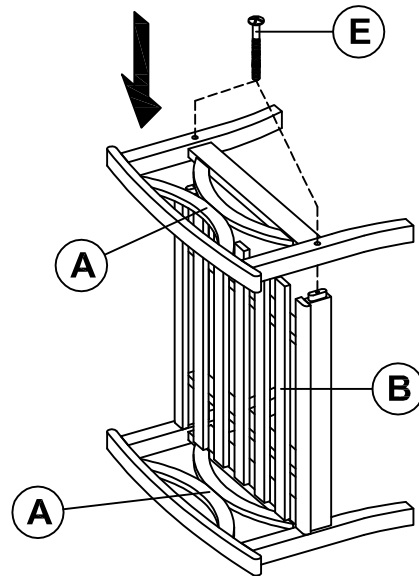
# Step 1 - Step 4 (Stool)

Step 1



Attach the stool (B) to leg frame (A), position as shown.

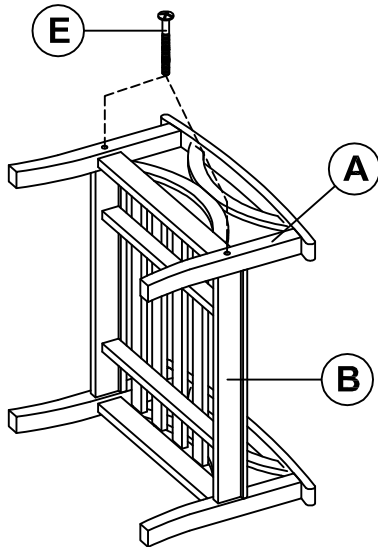
Step 2



Attach the leg frame (A) to stool (B), position as shown. Secure using 1 1/2" bolts (E), position as shown.

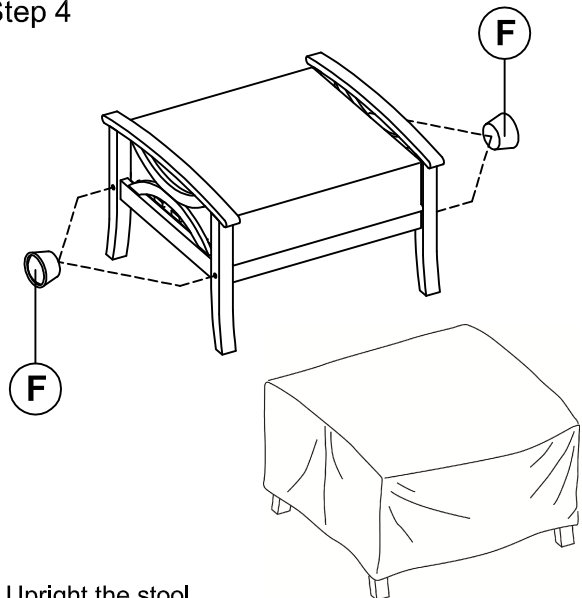
**Tighten the bolts using screwdriver.**

Step 3



Turn the assembly STEP 2 upside.  
Next, Secure 1 1/2" bolts (E).  
**Tighten the bolts using screwdriver.**

Step 4



- Upright the stool  
Make sure all parts are correctly completed and tighten all bolts completely using screwdriver.
- Tapping in the wooden caps (F) to cover bolts head using rubber mallet.
- Install the cushion

**THE STOOL IS NOW READY FOR USE.**

**\*\*COVER THE STOOL WHEN NOT IN USE FOR A LONG TIME**

## Troubleshooting

Problem	Possible Cause	Prevention / Solution
Tilting / Leaning	Surface not level	Place it on a level floor
Rickety	Bolt not tight enough	Tighten all bolts / screw

## Care & Use Instruction

Teak wood, when left bare and unsanded, will naturally fade to a silver-gray color. This silver-gray color transformation does not in any way affect the durability of the furniture.

To maintain the smooth finish and golden brown color of your teak furniture, you will need to sand the furniture regularly with 240 - 320 grit sandpaper. To prolong the period of time needed between sanding, teak oil may also be applied.

If you choose to apply teak oil, apply every 6 months, or follow the teak oil container directions. Again, if you choose to maintain the smooth brown finish of your teak furniture, this method requires some regular maintenance, such as sanding and reapplication of teak oil. Teak oil, along with sanding, will help maintain the golden brown color.

### **Staining :**

Please note, once you stain your teak, it will not return to the natural golden brown or weathered silver-gray color without sanding off the stain. Staining is intended to be permanent. If you choose to stain your furniture after it has turned silver-gray, you must first sand it before applying the stain.

### **Cushions :**

Outdoor fabrics are designed to be breathable; they are water repellent but are not waterproof. It is recommended that you store the cushions during rainy weather.

The best way to keep your fabrics looking good is to simply clean them as needed. Rinse off dust and dirt, wipe spills as soon as they occur, or spot clean soon after stains occur. Removable cushion covers may be machine-washed in cold water with mild laundry soap and air dried.

## Warranty Information

This product component has a 1 year frames guarantee against defects in material and/or workmanship and a 5 year fabrics / cushions guarantee against separation at the seams and fading under normal usage. If you have any questions regarding the warranty or spare / replacement parts, please call our toll-free number 1-888-287-4275 (From 9:00 am to 5:00 pm CST, Monday to Friday) or email us at [info@cambridgecasual.com](mailto:info@cambridgecasual.com)

**NOTE:** Please consider recycling all applicable packaging material.

**Distributed by Sam's West Inc.**  
2101 SE Simple Savings Dr.  
Bentonville, Arkansas 72716-0745

Made in INDONESIA

