

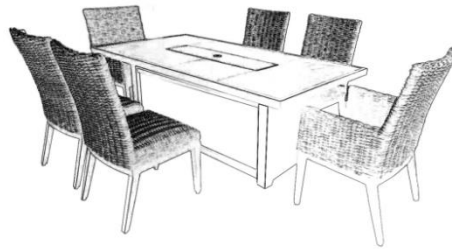


## Assembly Instructions & User's Manual For Member's Mark Halstead 7pc Dining Set With Fire pit Table

**Item Number:** xxxxxxxx

**Model Number:** GC-11557-7PC

**Customer Assistance (spare/replacement parts): 1-800-691-2824**  
**or Email: [customerservice@coronadocasuals.com](mailto:customerservice@coronadocasuals.com)**



**DANGER:**  
FIRE OR EXPLOSION HAZARD

If you smell gas:

1. Shut off gas to the appliance.
2. Extinguish any open flame.
3. If odor continues, leave the area immediately.
4. After leaving the area, call your gas supplier or fire department.

Failure to follow these instructions could result in fire or explosion, which could cause property damage, personal injury, or death.



**WARNING:** Do not store or use gasoline or other flammable liquids vapors and liquids, in the vicinity of this or any other appliance.  
An LP cylinder not connected for use shall not be stored in the vicinity of this or any other appliance.



**WARNING:** For Outdoor Use Only.  
Installation and service must be performed by a qualified installer, service agency, or the gas supplier.

**DANGER**



**CARBON MONOXIDE HAZARD**

This appliance can produce carbon monoxide which has no odor.  
Using it in an enclosed space can kill you.  
Never use this appliance in an enclosed space such as a camper, tent, car or home.





**WARNING:** If the information in this manual is not followed exactly, a fire or explosion may result causing property damage, personal injury, or loss of life.

**INSTALLER: Leave this manual with the appliance.**  
**CONSUMER: Retain this manual for future reference.**

**THIS ASSEMBLY MANUAL CONTAINS IMPORTANT SAFETY INFORMATION.  
PLEASE READ AND KEEP FOR FUTURE REFERENCE.**

# Table of Contents

|   |           |
|---|-----------|
| Quality Statement.....  | 3         |
| Important Safety Information .....  | 3         |
| Before Assembly .....   | 3         |
| Care & Use.....   | 3         |
| Safety Warnings.....  | 4-5       |
| Package Contents .....  | 6         |
| Product Information .....   | 6         |
| Components .....  | 7         |
| Hardware.....   | 7         |
| Tools .....   | 7         |
| Step 1 .....  | 8         |
| Step 2.....   | 9         |
| Step 3.....   | 9         |
| <u>Loading the propane.....</u>   | <u>10</u> |
| <u>Loading the battery.....</u>   | <u>10</u> |
| <u>Gas connection.....</u>  | <u>11</u> |
| <u>Leak Check.....</u>  | <u>12</u> |
| <u>Shutting down the gas.....</u>   | <u>13</u> |
| <u>Gas Cylinder Required.....</u>   | <u>13</u> |
|  Warning ..... | 14        |
|  Danger .....  | 14        |
| Furniture Cover.....  | <u>15</u> |
| Warranty Information.....   | <u>16</u> |

# Quality Statement

## Questions or Comments?

We would love to hear about your Member's Mark experience! Visit us at:  
[samsclub.com/membersmarkhelp](https://samsclub.com/membersmarkhelp)



## Important Safety Information

- *Please read all instructions carefully before assembling this product.*
- *Where applicable, and for your safety, assembly by an adult is strongly recommended.*
- *Use only vendor-supplied hardware to assemble this item. Using unauthorized hardware could jeopardize the structural integrity of the item.*
- *Hardware may loosen overtime. Periodically check that all connections are tight.*

## Before Assembly

- *Remove all parts and hardware from the box. Place all items on a carpeted or scratch-free work surface, as this will avoid damaging parts during assembly.*
- *The shipping box can provide an ideal work surface if none is available.*
- *Use the components and hardware lists below to identify, inventory and separate each of the hardware and components included.*
- *To avoid accidentally discarding small components or hardware, do not dispose of any packaging or contents of the shipping carton until assembly is complete.*
- **DO NOT USE** *power tools unless it is explicitly identified in this manual as required for use during assembly. Power tools can damage the fasteners, hardware and/or components.*
- *Do not fully tighten all fasteners / screws until all parts are in place. Failure to follow these instructions may cause the fasteners / screws to misalign during assembly.*

## Care & Use

- *Use a soft, clean cloth that will not scratch the surface when cleaning.*

# Safety Warnings



## CAUTION

When the appliance is connected to a fixed-gas system, the installation must conform with local codes, or in the absence of local codes with the National Fuel Gas Code, ANSZ223.1/NFPA54; International Fuel Gas Code, Natural Gas and Propane Installation Code, CSAB149.1; or Propane Storage and Handling Code, B149.2, as applicable.



## CAUTION

The LP gas supply cylinder used must be:

1. Constructed and marked in accordance with the U.S. Department of Transportation (DOT) Specifications for LP Gas Cylinders, or the Standard for Cylinders, Spheres and Tubes for Transportation of Dangerous Goods and Commission, CAN/CSA-B339 as applicable.
2. Provided with a listed overfill prevention device.
3. Provided with cylinder connection device compatible with the connection for the appliance.



## CAUTION

- Always place the appliance on a firm and level surface.
- Solid fuels shall not be burned in this gas appliance.
- The appliance shall be used only outdoors in a well-ventilated space and shall not be used in a building, garage or any other enclosed area.
- When in use, keep the appliance area clear with at least 48 in. (121.9 cm) on the sides and 72 in. (182.9 cm) on top away from combustible materials, gasoline and other flammable liquid and vapors.
- Do not use the appliance under combustible surfaces. Certain items or materials, when stored under the appliance or nearby, will be subjected to radiant heat and could be damaged. Inspect the hose assembly and burner prior to each use. If there is evidence of excessive abrasion or wear, or if the hose or burner is damaged, it must be replaced by an appropriate part from the manufacturer.
- Inspect the gas connections of the appliance prior to each use. Do not operate the unit if there is a gas leak. Have the appliance inspected annually by a qualified service person.
- The pressure regulator and hose assembly provided with the appliance must be used.
- The replacement part must be the same as specified by the manufacturer. To attach the LP gas cylinder please refer to the "Gas Connection" section on page 13 and perform the leak check on page 14.

*Need Assistance? Visit us at: [samsclub.com/membersmarkhelp](https://www.samsclub.com/membersmarkhelp)*

## Safety Warnings (continued)



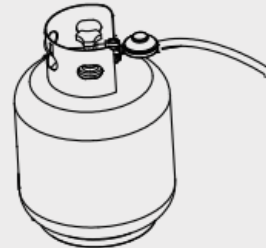
### CAUTION

- Children and adults should be alerted to the hazards of high surface temperature and should stay away to avoid burns or prevent clothing from igniting.
- Young children should be carefully supervised when they are in the area of the appliance.
- Clothing or other flammable materials should not be hung from the appliance or placed on or near the appliance.
- Any guard or other protective device removed for servicing the appliance must be replaced prior to operating the appliance.



### CAUTION

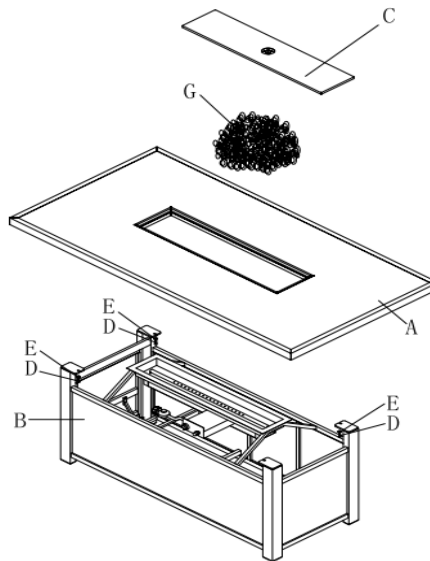
- Installation and repair should be done by a qualified service person. The appliance should be inspected before use and at least annually by a qualified service person. More frequent cleaning may be required as necessary. It is imperative that the control compartment, burners, and circulating air passageways of the appliance are kept clean.
- Do not use the appliance if any part has been under water. Immediately call a qualified technician to inspect the appliance and to replace any part of the control system and any gas control which has been under water.
- The LP gas supply cylinder to be used must be constructed and marked in accordance with the specifications for LP gas cylinders of the U. S. Department of Transportation (DOT). See page 15.
- The cylinder system must be arranged for vapor withdrawal, and the cylinder must include a collar to protect the cylinder valve.
- Use only 20 lb (9 kg) LP gas cylinders.
- Do not burn wood or any other materials in this appliance.



- The burner must be replaced prior to the appliance being put into operation if it is evident that the burner is damaged. The replacement burner must be the same as the part specified by manufacturer.
- To clean the appliance, including the burner, please refer to the "Cleaning and Clearing" section on page 16.
- Do not try to cool glass beads with water soon after shutting off the gas appliance or they will break.
- Do not use the gas appliance in strong wind and/or heavy rain.

*Need Assistance? Visit us at: [samsclub.com/membersmarkhelp](http://samsclub.com/membersmarkhelp)*

# Package Contents



| Component | Description               | Quantity | Component | Description     | Quantity |
|-----------|---------------------------|----------|-----------|-----------------|----------|
| A         | Table top                 | 1        | E         | M6 Washer       | 4        |
| B         | Table base                | 1        | F         | Allen Wrench    | 1        |
| C         | Burner Cover              | 1        | G         | 8kg Glass beads | 1        |
| D         | Allen/Hex Bolt<br>M6x25mm | 4        |           |                 |          |

## Product Information

### Product Dimensions:

Padded Dining Chair: 24.5" x 26" x 39.5" (62.2cm x 66cm x 100.3cm)

Padded Dining Chair armless: 20.5" x 26" x 39.5" (52cm x 66cm x 100.3cm)

Firepit Table: 79.5" x 41.5" x 29.25" (202cm x 105.4cm x 74.3cm)

### Product Weight Capacity

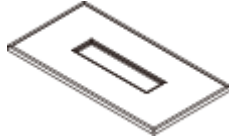
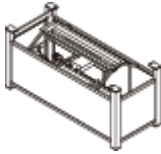


Padded Dining Chair: Supports up to 300 lbs. (136 kg)

Padded Dining Chair armless: Supports up to 300 lbs. (136 kg)



Firepit Table: Supports up to 916 lbs. (415 kg)

*Need Assistance? Visit us at: [samsclub.com/membersmarkhelp](https://www.samsclub.com/membersmarkhelp)*

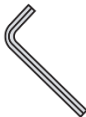
# Components

|   |   |  |   |
|---|---|--|---|
| <p>(A)<br/>Table top<br/>Qty: 1pc</p>   | <p>(B)<br/>Table base<br/>Qty: 1pc</p>  | <p>(C)<br/>Burner Cover<br/>Qty: 1pc</p>   | <p>(G)<br/>8kg Glass beads<br/>Qty: 1pc</p>   |
|  |  |  |  |

# Hardware

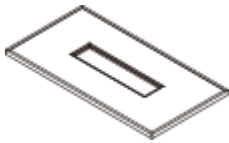
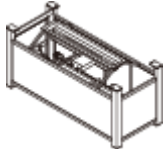


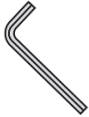
|   |  |
|---|--|
| <p>(D)<br/>Allen/Hex Bolt<br/>M6x25mm<br/>Qty: 4pcs</p>  | <p>(E)<br/>M6 Washer<br/>Qty: 4pcs</p>  |
|---|--|

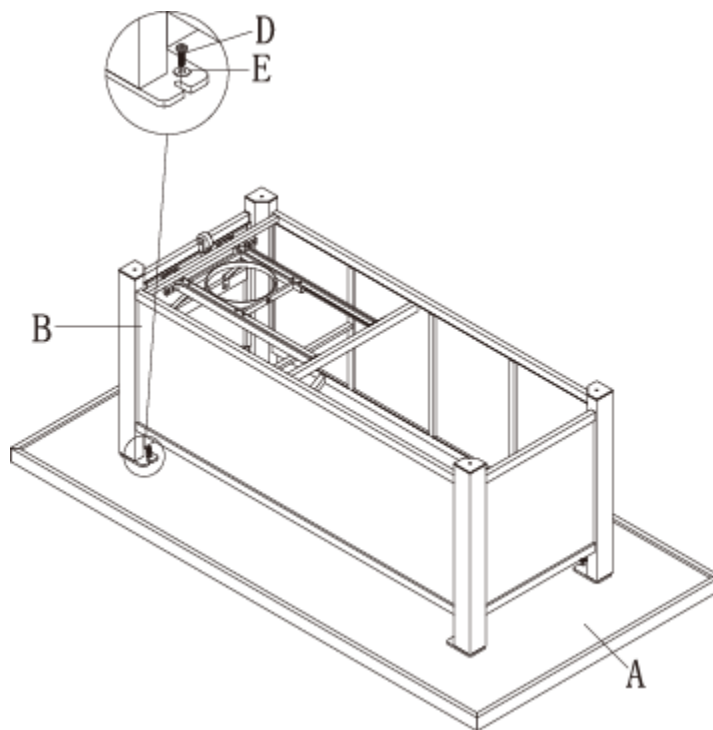
# Tools

|   |
|---|
| <p>(F)<br/>M6 Allen Wrench<br/>Qty: 1pc</p>   |
|  |

Need Assistance? Visit us at: [samsclub.com/membersmarkhelp](https://samsclub.com/membersmarkhelp)

# Step 1

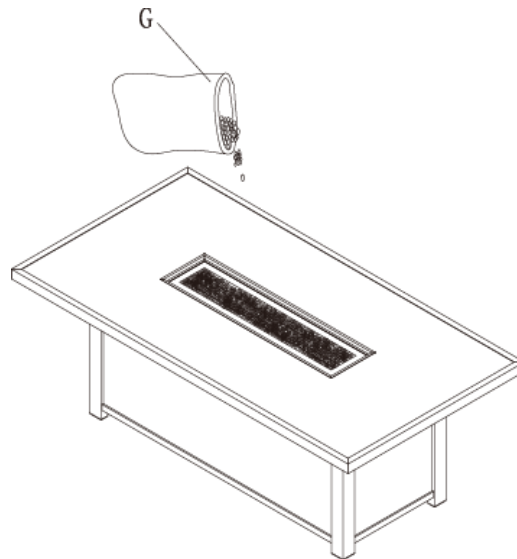
|  |   |   |
|--|---|---|
| <p>(A)<br/>Table top<br/>Qty: 1pc</p>   | <p>(B)<br/>Table base<br/>Qty: 1pc</p>       | <p>(D)<br/>Allen/Hex Bolt M6x25mm<br/>Qty: 4pcs</p>  |
| <p>(E)<br/>M6 Washer<br/>Qty: 4pcs</p>  | <p>(F)<br/>M6 Allen Wrench<br/>Qty: 1pc</p>  |   |



Carefully place table top (A) upside down a soft, flat and non-abrasive surface.  
Attach the table base (B) to table top (A) with bolts(D) and Washer(E) by using M6 Allen Wrench(F).  
Tighten all the bolts with M6 Allen Wrench(F).

*Need Assistance? Visit us at: [samsclub.com/membersmarkhelp](http://samsclub.com/membersmarkhelp)*

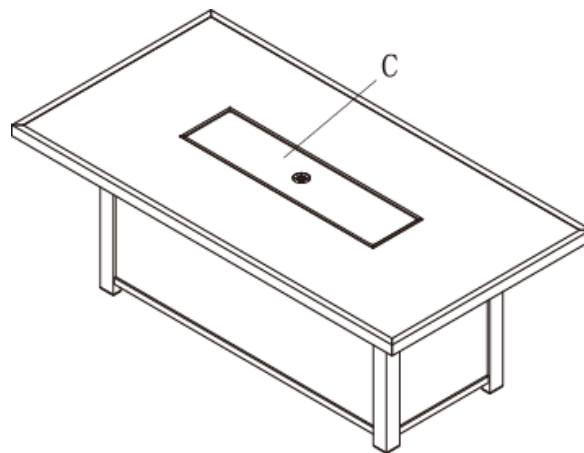
## Step 2



Carefully turn the Firepit table over.

Place the glass beads (G) around the burner.

## Step 3

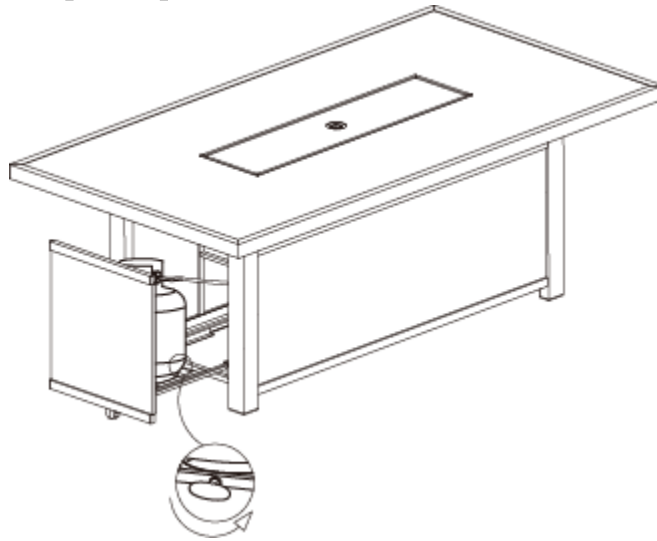


Place Burner Cover (C) onto the fire bowl.

**NOTE:** Glass beads is not included. When the fire pit is not in use and has cooled COMPLETELY, cover it with the Burner Cover. DO NOT USE BURNER COVER ON A HOT FIRE PIT OR WHEN IN USE.

*Need Assistance? Visit us at: [samsclub.com/membersmarkhelp](https://www.samsclub.com/membersmarkhelp)*

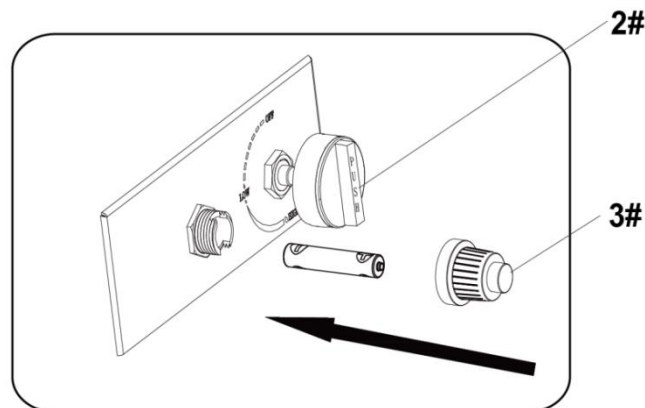
## Loading the propane



Open the door

Carefully place the cylinder into the tank rack. Tighten the bolt to hold the cylinder in Place.

## Loading the battery

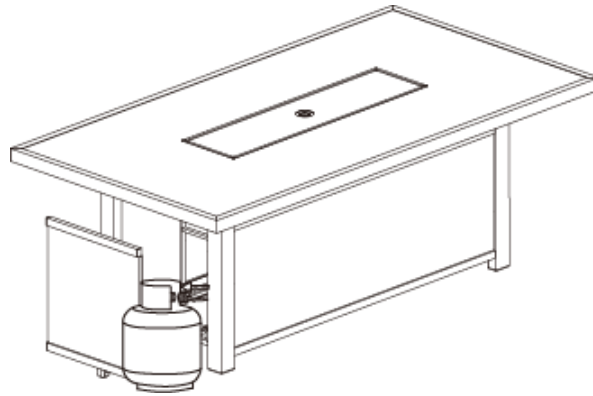
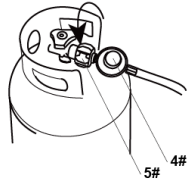


Unscrew the battery box, insert the negative electrode side of the battery into the bottom of the battery box

**Note: Please follow the above instructions to replace the battery when needed.**

*Need Assistance? Visit us at: [samsclub.com/membersmarkhelp](http://samsclub.com/membersmarkhelp)*

# Gas connection



Connect the pressure regulator (4#) to the cylinder by rotating the knob(5#) clockwise until it is fully secured.

Make sure there is no leakage or damage.

The minimum inlet gas 25PSI supply pressure for the purpose of input adjustment;

The maximum inlet gas 250PSI supply pressure.

## **IMPORTANT:**

**If the knob (5#) is not properly threaded to the outlet of the cylinder. Gas leak will possibly occur.**

*Need Assistance? Visit us at: [samsclub.com/membersmarkhelp](https://www.samsclub.com/membersmarkhelp)*

# Leak Check



## WARNING:

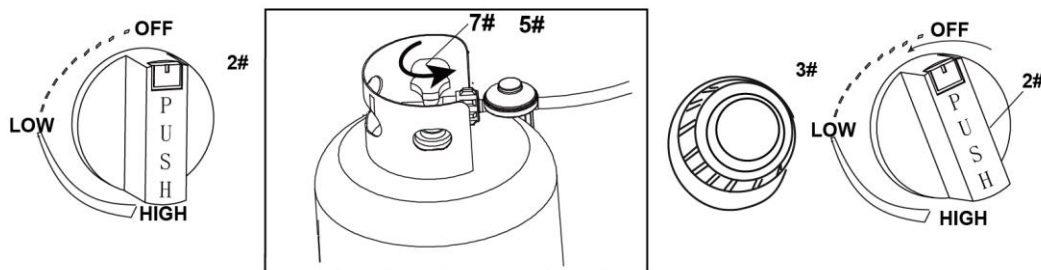
- Do not use an open flame to check for leaks.
- Do not smoke during testing.
- Do not test indoors.
- A leak check must be performed whenever the gas cylinder is replaced.

## NOTE

1. Make sure the gas control knob (2#) is on the “OFF” position. Open access doors.
2. Make sure the gas cylinder is correctly and security connected to the pressure regulator, with a tight fit.
3. Turn on the gas cylinder valve(7#). Apply 50% soap and 50% water solution to the gas hose at connections between the knob(5#) and the gas cylinder.
4. If there is a leak, you will see bubbles form. In the case of the leak, turn off the gas supply, unscrew the connections. Reconnect the gas hose and retest. If the leak persists, consult the customer service center for assistance.
5. If the connection is sound, continue to the next step.

## LIGHTING

1. Make sure control knob (2#) is on the “OFF” position on the control panel.
2. Open access doors. Turn on gas cylinder valve (7#) to fully opened position.
3. Push and turn the knob (2#) to “HEGH”.
4. Hold igniter (3#) to light the burner. Release the knob after 45 seconds.  
If there is no fire turn the control knob to “OFF”, wait 5 minutes and repeat from step 3 on.
6. Adjust flame to desired flame with the control knob.



## WARNING

Do not operate if there is a kink in the flexible gas hose as this could lead to a gas leak. Lighting the appliance improperly could lead to an unsafe condition.

Need Assistance? Visit us at: [samsclub.com/membersmarkhelp](https://www.samsclub.com/membersmarkhelp)

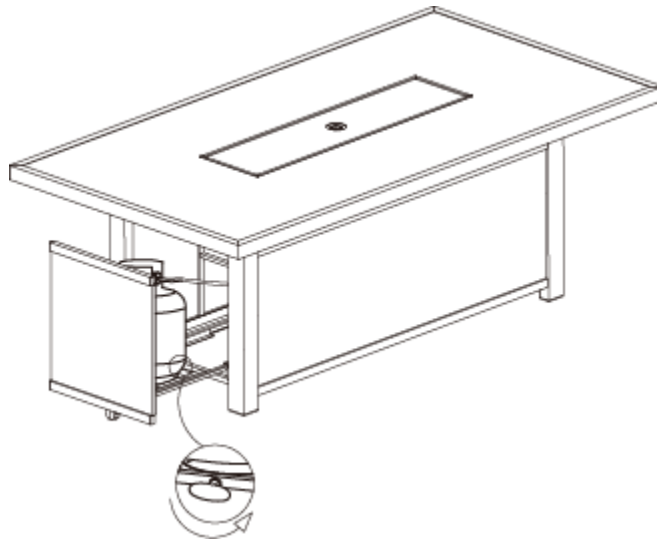
# SHUTTING DOWN THE GAS

1. Turn the gas control knob (2#) to "OFF" to shut down appliance.
2. Turn the gas cylinder valve (7#) off when the gas appliance will not be in use.

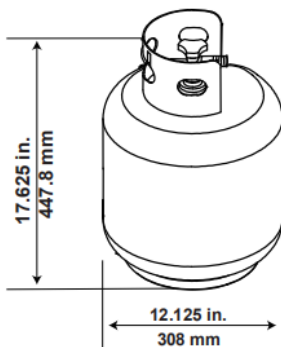


## WARNING

Do not try to cool glass beads with cold water right after shutting down the gas appliance or they will get crack.  
Do not allow children to play with glass beads,



## Gas Cylinder Required



20lb QCC OPD Barbecue Tank  
Diameter: 12.125 in. / 308 mm  
Height: 17.625 in. / 447.8 mm  
TW (Tare Weight): 16.6 lbs  
WC (Water Capacity): 47.6 lbs

Other cylinders may be acceptable for use with the appliance provided they are compatible with the appliance retention means; provided with a listed overfilling prevention device; and provided with a cylinder connection device compatible with the connection for the appliance.

(Note : Cylinder is not included in this unit.)

Need Assistance? Visit us at: [samsclub.com/membersmarkhelp](https://www.samsclub.com/membersmarkhelp)

## **Warning**

For outdoor use only.

FUELS USED IN LIQUEFIED PROPANE GAS APPLIANCES, AND THE PRODUCTS OF COMBUSTION OF SUCH FUELS, CAN EXPOSE YOU TO CHEMICALS INCLUDING BENZENE, WHICH IS KNOWN TO THE STATE OF CALIFORNIA TO CAUSE CANCER AND CAUSE BIRTH DEFECTS OR OTHER REPRODUCTIVE HARM. For more information go to: [www.P65Warnings.ca.gov](http://www.P65Warnings.ca.gov).

Improper installation, adjustment, alteration, service or maintenance can cause injury or property damage.

Read the installation, operating and maintenance instructions thoroughly before installing or servicing this equipment.

Do not store or use gasoline or other flammable liquids or vapors in the vicinity of any other appliance.

An LP cylinder not connected for use shall not be stored in the vicinity of this or any other appliance.

Do not connect to a remote gas supply.

## **Danger**

If you smell gas:

1. Shut off the gas to the appliance.
2. Extinguish any open flame.
3. If the odor continues, keep away from the appliance and immediately call your gas supplier or fire department.

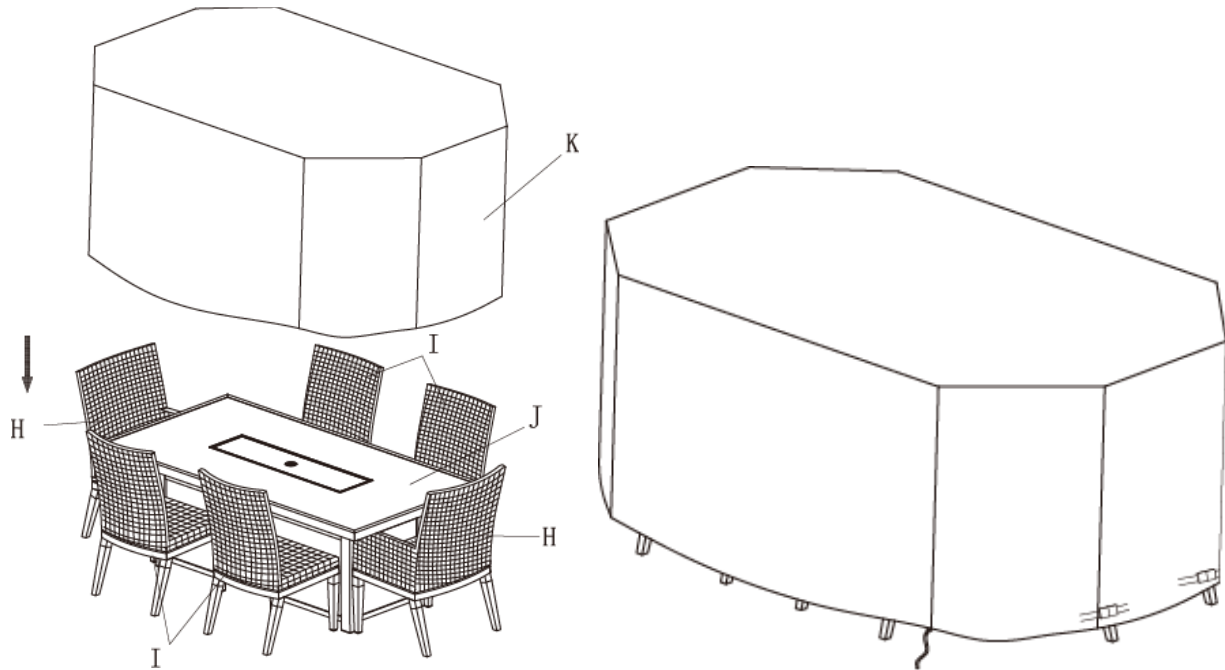
### CARBON MONOXIDE HAZARD

1. This appliance can produce carbon monoxide, which has no odor.
2. Using it in an enclosed space can result in death.
3. Never use this appliance in an enclosed space such as a camper, tent, car or home.

*Need Assistance? Visit us at: [samsclub.com/membersmarkhelp](http://samsclub.com/membersmarkhelp)*

# Furniture Cover

| Component | Description                 | Quantity | Component | Description                    | Quantity |
|-----------|-----------------------------|----------|-----------|--------------------------------|----------|
| H         | Padded dining chair         | 2        | J         | Bar dining table with fire pit | 1        |
| I         | Padded dining chair armless | 4        | K         | Furniture Cover for Dining set | 1        |



For maximum protection, use Heavy Duty Furniture Cover (K). Fasten adjustable cord lock to secure the cover from wind and snug fit.

*Need Assistance? Visit us at: [samsclub.com/membersmarkhelp](https://www.samsclub.com/membersmarkhelp)*

# Warranty Information

This product component has a 5 year guarantee against defects in material and/or workmanship. If you have any questions regarding the warranty or spare / replacement parts, please call our toll-free number 1-800-691-2824 or email us at [customerservice@coronadocasuals.com](mailto:customerservice@coronadocasuals.com)

**NOTE:** Please consider recycling all applicable packaging material.

**Distributed by Sam's West Inc.**  
2101 SE Simple Savings Dr.  
Bentonville, Arkansas 72716-0745

Made in China



*Need Assistance? Visit us at: [samsclub.com/membersmarkhelp](https://www.samsclub.com/membersmarkhelp)*