



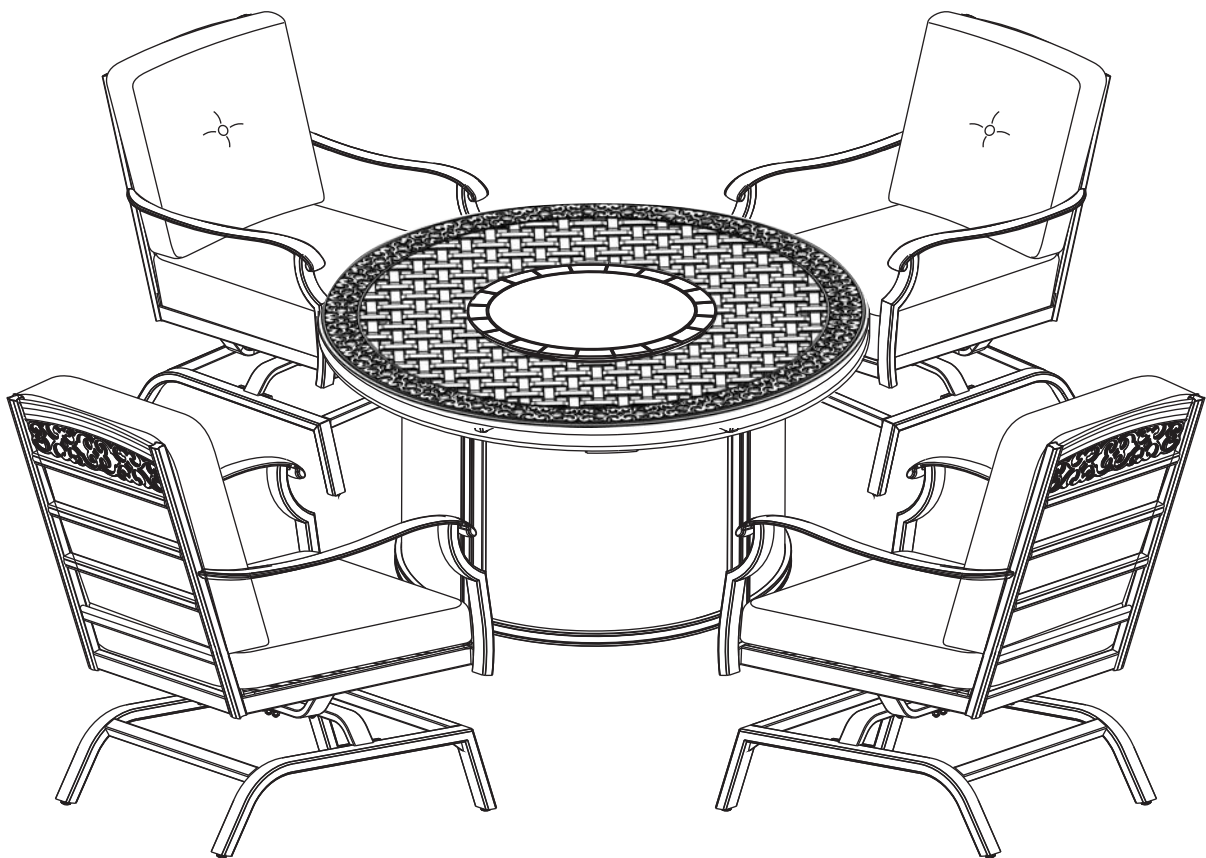
**Assembly Instructions & User's Manual
for
Member's Mark Hastings 5pc Gas Fire Pit Set**

Item Number:

Model Number: ACE00422-5SC

Customer Assistance (spare/replacement parts): 1-800-416-3511

or Email: customerservice@agio-usa.com



**THIS ASSEMBLY MANUAL CONTAINS IMPORTANT SAFETY INFORMATION.
PLEASE READ AND KEEP FOR FUTURE REFERENCE.**

Table of Contents

Quality Statement.....	3
Important Safety Information.....	3
Before Assembly.....	3
Package Contents.....	4
Product Information.....	5
Spring Rocker	
Components.....	6
Hardware.....	6
Tools.....	6
Step1.....	7
Fire Pit	
Components.....	8
Hardware.....	8
Tools.....	8
Step1-Step7.....	9-11
Care & Use and Storage Instructions.....	12
Warranty Information.....	12

Quality Statement

Questions or Comments?

We would love to hear about your Member's Mark experience! Visit us at:
samsclub.com/membersmarkhelp

Important Safety Information

- *Please read all instructions carefully before assembling this furniture.*
- *For your safety, assembly by two or more adults is strongly recommended.*
- *Use only vendor-supplied hardware to assemble this item. Using unauthorized hardware could jeopardize the structural integrity of the item.*
- *Hardware may loosen overtime. Periodically check that all connections are tight.*

Before Assembly

- *Remove all parts and hardware from the box. Place all items on a carpeted or scratch-free work surface, as this will avoid damaging parts during assembly.*
- *The shipping box can provide an ideal work surface if none is available.*
- *Use the components and hardware lists below to identify, inventory and separate each of the hardware and components included.*
- *To avoid accidentally discarding small components or hardware, do not dispose of any packaging or contents of the shipping carton until assembly is complete.*
- *DO NOT USE power tools unless it is explicitly identified in this manual as required for use during assembly. Power tools can damage the fasteners, hardware and/or components.*
- *Do not fully tighten all fasteners / screws until all parts are in place. Failure to follow these instructions may cause the fasteners / screws to misalign during assembly.*

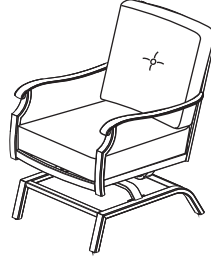
Package Contents

1Set / 3Ctn

Box 1 of 3:

Component	Description	Quantity
A	Spring Rocker	4

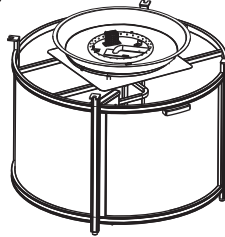
A



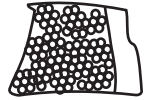
Box 2 of 3:

Component	Description	Quantity
A	Firepit Base	1
B	Fire Ice	1
C	Furniture Cover	5

A



B



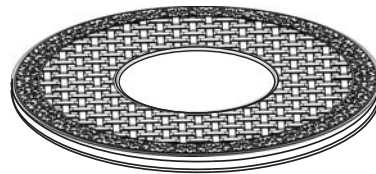
C



Box 3 of 3:

Component	Description	Quantity
A	Firepit Table Top	1
B	Burner Cover	1

A




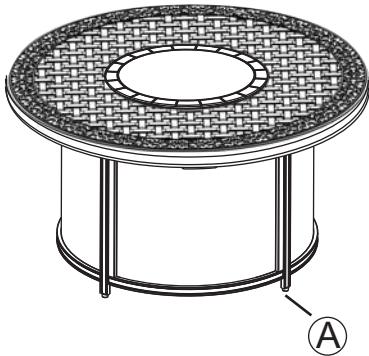
B




Product information



Description	Part No.	Dimensions	Weight Capacity	Factory Assembly
Spring Rocker	ACE00422	26" W *31.5" D *35" H	250lb per seat	N
A.Foot Cap 	FC0607	N/A	N/A	Y



Description	Part No.	Dimensions	Weight Capacity	Factory Assembly
Firepit Table	ARW09200	45.75" RD *24.5" H	N/A	N
A.Foot Cap 	FC0553	N/A	N/A	Y

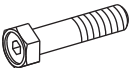

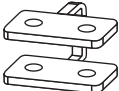

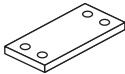


Description	Part No.
Spring Rocker's Cover	ZZW04612
Firepit Table's Cover	ZZT02112



Components

<p>A. CHAIR FRAME Part No.AR20624 Qty 1</p> 	<p>B. BASE & ROCKER ASSEMBLY Part No.AR20625 Qty 1</p> 	
---	---	--

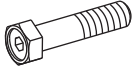

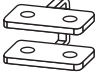



Hardware

<p>(H1) 5/16" X 42 MM BOLT PART NO:HW0931 Qty: 4</p> 	<p>(H2) Ø8.0 X 2.3 MM SPRING WASHER PART NO:HW0003 Qty: 4</p> 	<p>(H3) "U" METAL PLATE PART NO:HW0644 Qty: 2</p> 
<p>(H4) 5/16" NUT PART NO:HW0015 Qty: 4</p> 	<p>(H5) ROCKER PLATE (FACTORY ASSEMBLY) PART NO:G0375 Qty: 2</p> 	

Tools

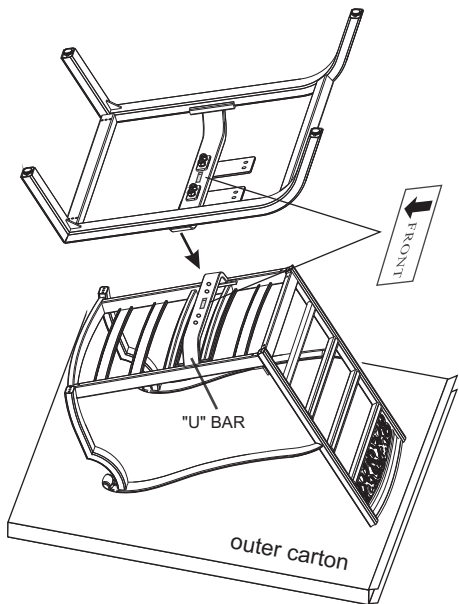
<p>(H6) HEX WRENCH-1 PART NO:HW0007 Qty: 1</p> 	<p>(H7) HEX WRENCH-2 PART NO:HW0008 Qty: 1</p> 	
--	--	--

Step 1

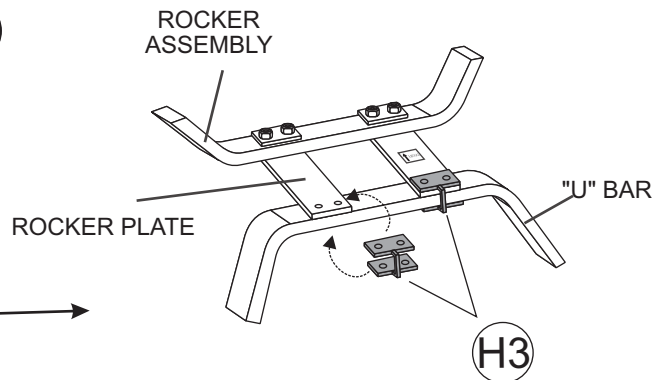
<p>(H1) 5/16" X 42 MM BOLT Qty: 4</p> 	<p>(H2) Ø8.0 X 2.3 MM SPRING WASHER Qty: 4</p> 	<p>(H3) U" METAL PLATE Qty: 2</p> 
<p>(H4) 5/16" NUT Qty: 4</p> 	<p>(H6) HEX WRENCH-1 Qty: 1</p> 	<p>(H7) HEX WRENCH-2 Qty: 1</p> 

CAUTION: Failure to place the "U" metal plates (H3) under the rocker plates and above the "U" bar exactly as shown in the diagram will cause the bolt heads and nuts to damage the structure of the rocker plates and the "U" bar. Damage due to over tightened bolts or improper assembly could cause injury.

CAUTION: MAKE SURE THE ARROW LABELS ON THE ROCKER PLATE POINT TOWARD THE FRONT OF CHAIR DURING ASSEMBLY.

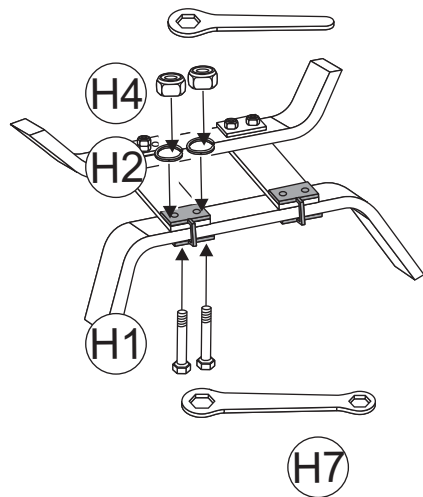


A


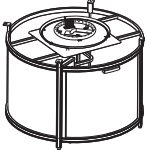





H6


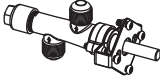



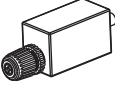




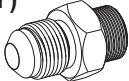
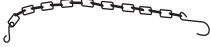

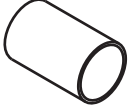

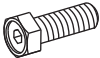

B



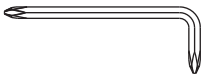

Components

<p>A. FIRE PIT TABLE TOP Part No.FP3135 Qty 1</p> 	<p>B. FIRE PIT TABLE BASE Part No.FP3136 Qty 1</p> 	<p>C. BURNER COVER Part No.FP3137 Qty 1</p> 
<p>D. BURNER PAN PROTECTIVE RING Part No.FP3138 Qty 1</p> 	<p>E. FIRE ICE Part No.FP2147 Qty 1</p> 	

Hardware

<p>(H1) CONTROL KNOB (FACTORY ASSEMBLY) PART NO: FP2329 Qty: 1</p> 	<p>(H2) GAS VALVE (FACTORY ASSEMBLY) PART NO: FP2330 Qty: 1</p> 	<p>(H3) THERMOCOUPLE (FACTORY ASSEMBLY) PART NO: FP2331 Qty: 1</p> 
<p>(H4) FLEX CONNECTOR (FACTORY ASSEMBLY) PART NO: FP2332 Qty: 1</p> 	<p>(H5) ELECTRODE (FACTORY ASSEMBLY) PART NO: FP2333 Qty: 1</p> 	<p>(H6) IGNITION MODULE (FACTORY ASSEMBLY) PART NO: FP2334 Qty: 1</p> 
<p>(H7) LP REGULATOR HOSE (FACTORY ASSEMBLY) PART NO: FP2250 Qty: 1</p> 	<p>(H8) LP TANK RETAINING KNOB (FACTORY ASSEMBLY) PART NO:FP0585 Qty: 2</p> 	<p>(H9) PROPANE ORIFICE (FACTORY ASSEMBLY) PART NO: FP2103 Qty: 1</p> 
<p>(H10) M4 BOLT(FACTORY ASSEMBLY) PART NO:HW0898 Qty: 3</p> 	<p>(H11) ORIFICE HOLDER (FACTORY ASSEMBLY) PART NO: FP3573 Qty:1</p> 	<p>(H12) CHAIN (FACTORY ASSEMBLY) PART NO: FP3141 Qty: 1</p> 
<p>(H13) "AA" BATTERY(1.5V) PART NO: HW0905 Qty: 1</p> 	<p>(H14) AIR SHUTTER PART NO: FP1922 Qty:1</p> 	<p>(H15) NATURAL GAS ORIFICE PART NO: FP1919 Qty: 1</p> 
<p>(H16) 1/4" X 20 MM BOLT PART NO:HW0802 Qty: 4</p> 	<p>(H17) Ø20 X Ø6.5 X 2.0 MM WASHER PART NO:HW0594 Qty: 4</p> 	

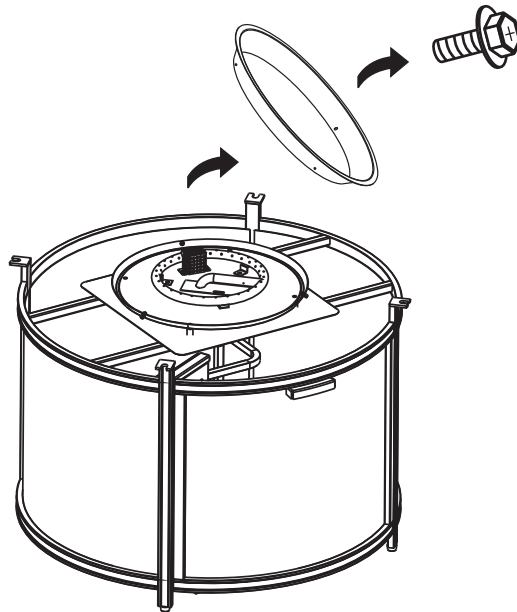
Tools

<p>(H18) HEX BOLT DRIVER PART NO:HW0900 Qty: 1</p> 	<p>(H19) HEX BOLT DRIVER PART NO:HW0006 Qty: 1</p> 	
--	--	--

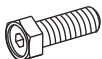


Step 1 - Step 7

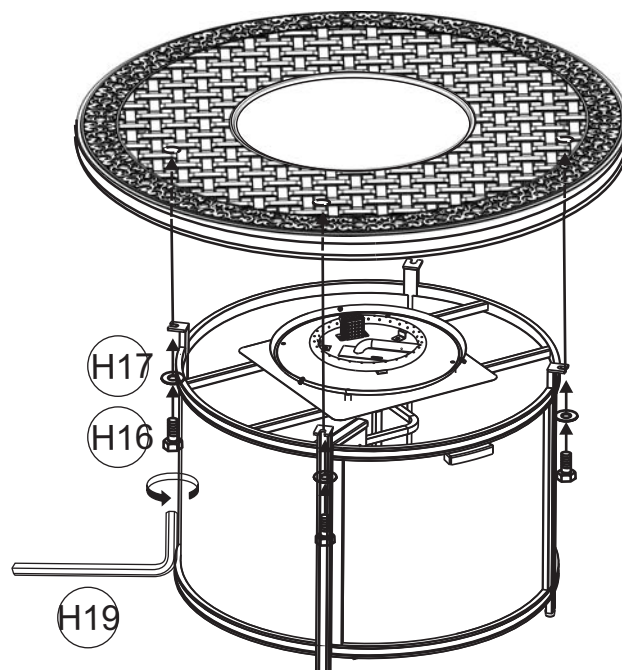
Step 1

There are three factory assembled M4 screws in the firepan/burner assembly. Remove those three screws in order to remove the burner pan protective ring.



Step 2

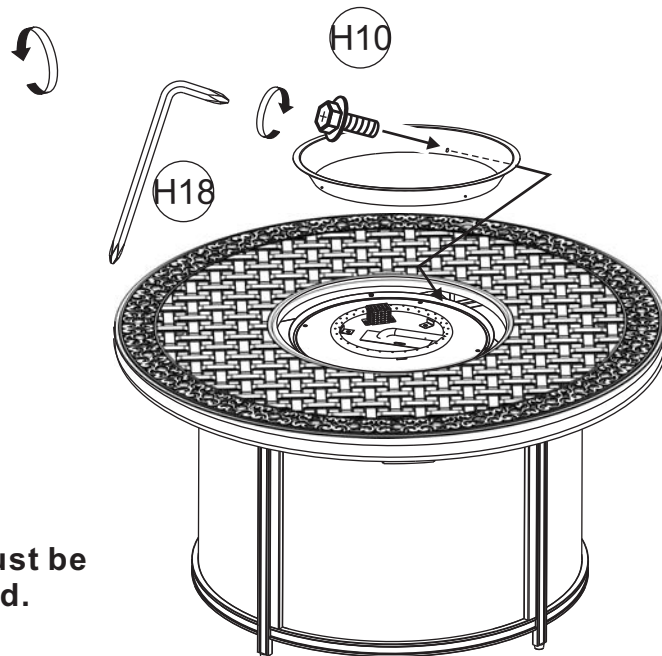
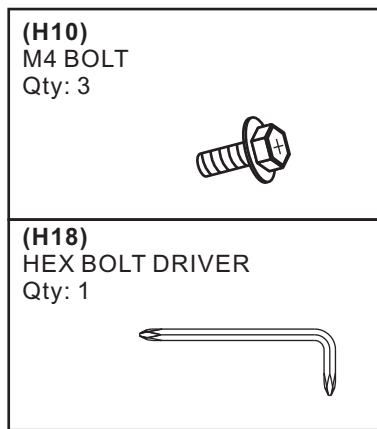
<p>(H16) 1/4" X 20 MM BOLT Qty: 4</p> 	<p>(H17) Ø20 X Ø6.5 X 2.0 MM WASHER Qty: 4</p> 	<p>(H19) HEX BOLT DRIVER Qty: 1</p> 
---	--	--



Note: holes do not go through to the top of table. Holes shown for illustration purposes only.

Step 3

Place the burner pan protective ring, into the burner as shown in the diagram. Secure the burner pan protective ring to the burner pan by using three M4 screws.



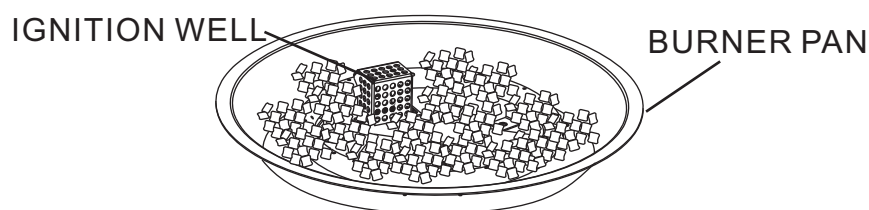
NOTE: Bolts must be FULLY tightened.

Step 4

Place the firepit table in its final position. There must be a minimum of 24 inches of clearance from the side of the table top to any combustible walls.

Step 5

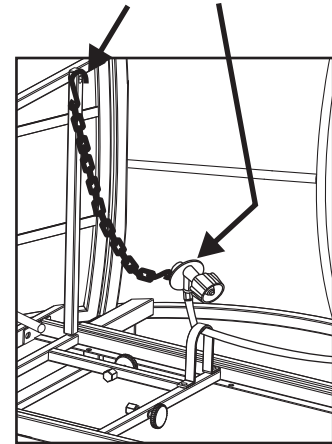
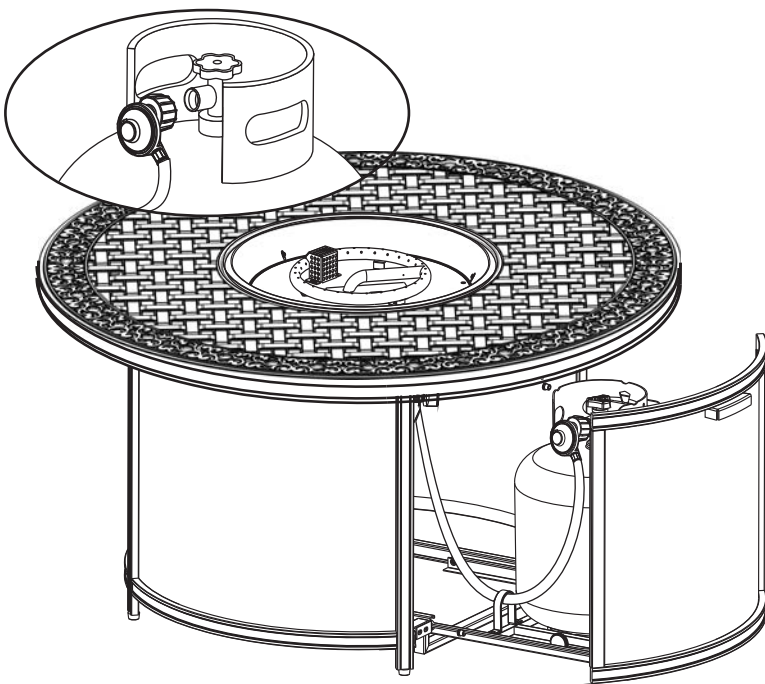
Pour ALL the fire ices into the burner pan. The burner MUST be completely covered to ensure the appliance functions properly and safely. Remove any fire ice on top of the ignition well.



Step 6

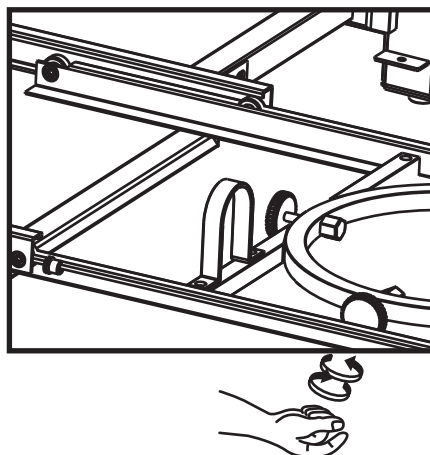
Open the door and place the LP tank in the bottom frame. Connect the regulator. Turn the black handle clockwise to tighten. Turn the handle counterclockwise to remove. The hose must point down. Open the control door and check that the valve is turned all the way clockwise to the "OFF" position. Open the tank valve. Apply a solution of soapy water to the tank-regulator connection and to the valve-hose connection to check for leaks. If soap bubbles continue to form, the connection has a leak. If a leak is found, close the tank valve and tighten all connections. **NEVER USE A FLAME TO CHECK FOR LEAKS.**

Please do not remove the chain from the fire pit base frame end or from the valve end when the valve is disconnected from cylinders.



Step 7

Tighten the threaded knobs found on the tank tray so that the LP tank cannot move from side to side. Do not remove the plastic cap from the end of the threaded section.



Care & Use Instructions

CARE AND MAINTENANCE

FRAMES

Cleaning - Use mild soap and warm water. Do not use abrasive materials, cleansers or bleach products. Rinse with clean water and dry thoroughly.

Maintenance - Periodically clean and dry thoroughly. Be sure to drain any water accumulated inside the frames. To thoroughly drain frames, remove foot caps and tilt the frames, if necessary, to remove all water. This is critical. Water allowed to accumulate inside the frames and then exposed to sub-freezing temperatures can cause damage to the frame tubing. Always clean, drain and dry thoroughly before storing for the winter. For best results, always store or cover your furniture when not in use. We recommend commercially available outdoor furniture covers. Any small nicks or scratches can be covered with a light application of touch-up paint.

** When cleaning or moving large or heavy items, always have two people work together. Never drag furniture.

FABRICS (CUSHIONS/SLINGS)

Cleaning - Wipe minor spills immediately. Clean with mild soap, warm clean water and soft cloth. Do not use abrasive materials, cleansers or bleach products. Although fabric has been treated to resist stains, occasional use of commercially available fabric cleaners may be necessary. Follow manufacturer's instructions.

Maintenance - The best way to maintain the beauty of cushions and slings is to store them in a dry area and out of the elements when not in use or cover with commercially available outdoor furniture covers.

Furniture covers are a great way to protect your set from harsh elements of weather and UV light. However, it is important to ensure furniture and covers are free of moisture and debris before covering. It is also necessary to promptly uncover furniture after rain and during periods of high humidity to prevent moisture build up. Failure to do so can lead to permanent surface and finish damage.

STRAPS

Cleaning - Wash frequently with mild soap, warm water and a soft cloth. Rinse thoroughly with warm, clean water. Do not use abrasive materials, cleansers or bleach products.

Maintenance - Periodic application of commercially available vinyl cleaners and vinyl protectors will enhance the look and prolong the life of straps. If your strap chair has cushions, make sure any vinyl protectors applied are completely dry before placing cushion back on the chair.

Warranty Information

This product component has a 5 year guarantee against defects in material and/or workmanship. If you have any questions regarding the warranty or spare / replacement parts, please call our toll-free number 1-800-416-3511 or email us at customerservice@agio-usa.com

NOTE: Please consider recycling all applicable packaging material.

Distributed by Sam's West Inc.
2101 SE Simple Savings Dr.
Bentonville, Arkansas 72716-0745

Made in China

