



Assembly Instructions & User's Manual

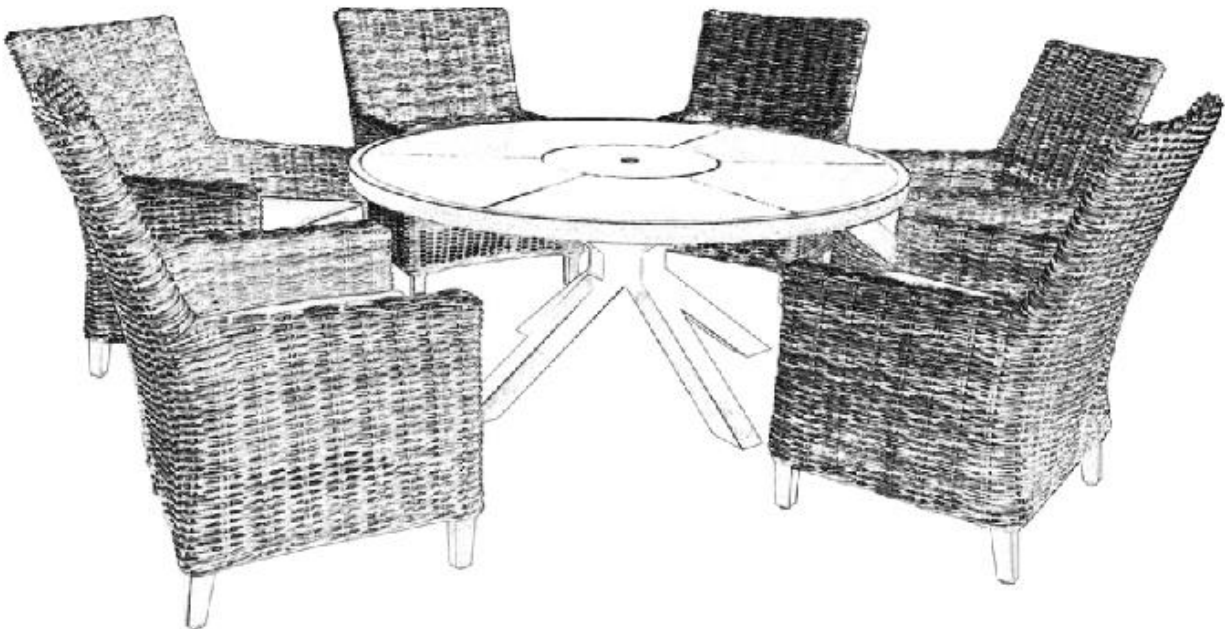
For

Member's Mark Halstead 7pc Dining set

Item Number: xxxxxxxx

Model Number: GC-11213-7PC

Customer Assistance (spare/replacement parts): 1-800-691-2824
or Email: customerservice@coronadocasuals.com



THIS ASSEMBLY MANUAL CONTAINS IMPORTANT SAFETY INFORMATION.
PLEASE READ AND KEEP FOR FUTURE REFERENCE.

Table of Contents

Quality Statement.....	3
Important Safety Information	3
Before Assembly.....	3
Care & Use	3
Package Contents.....	4
Product Information	4
Components	5
Hardware	5
Tools.....	5
Step 1	6
Step 2.....	7
Step 3.....	8
Furniture Cover.....	9
Warranty Information	10

Quality Statement

Questions or Comments?

We would love to hear about your Member's Mark experience! Visit us at:
samsclub.com/membersmarkhelp



Important Safety Information

- *Please read all instructions carefully before assembling this product.*
- *Where applicable, and for your safety, assembly by an adult is strongly recommended.*
- *Use only vendor-supplied hardware to assemble this item. Using unauthorized hardware could jeopardize the structural integrity of the item.*
- *Hardware may loosen overtime. Periodically check that all connections are tight.*

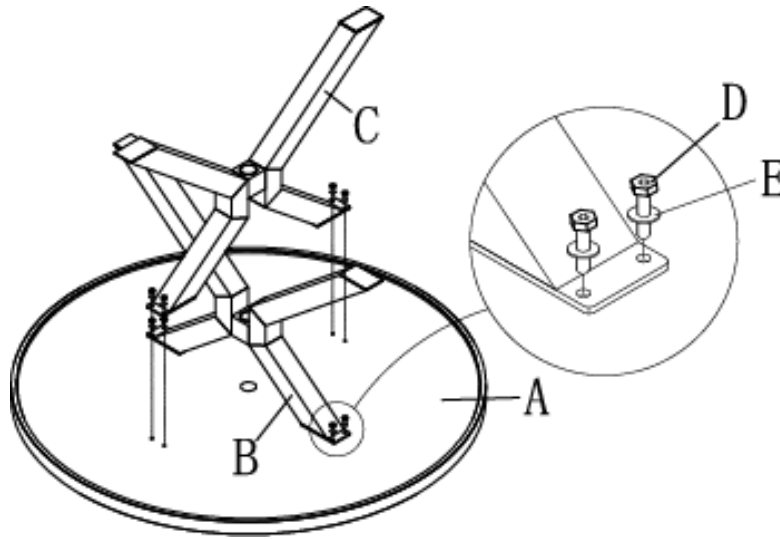
Before Assembly

- *Remove all parts and hardware from the box. Place all items on a carpeted or scratch-free work surface, as this will avoid damaging parts during assembly.*
- *The shipping box can provide an ideal work surface if none is available.*
- *Use the components and hardware lists below to identify, inventory and separate each of the hardware and components included.*
- *To avoid accidentally discarding small components or hardware, do not dispose of any packaging or contents of the shipping carton until assembly is complete.*
- **DO NOT USE** *power tools unless it is explicitly identified in this manual as required for use during assembly. Power tools can damage the fasteners, hardware and/or components.*
- *Do not fully tighten all fasteners / screws until all parts are in place. Failure to follow these instructions may cause the fasteners / screws to misalign during assembly.*

Care & Use

- *Use a soft, clean cloth that will not scratch the surface when cleaning.*

Package Contents



Component	Description	Quantity	Component	Description	Quantity
A	Table top	1	D	Allen/Hex Bolt M6x25mm	8
B	Table legs 1	1	E	M6 Washer	8
C	Table legs 2	1	F	Allen Wrench	1

Product Information

Product Dimensions:

Dining Chair: 27.5" x 28.25" x 41.25" (69.85cm x 71.75cm x 104.77cm)

Dining table: ϕ 60" x 29" (ϕ 152cm x 73.66cm)

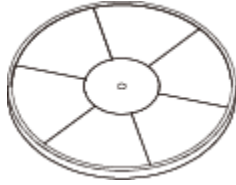
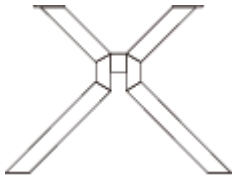
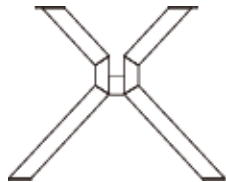
Product Weight Capacity

Dining Chair: Supports up to 300 lbs. (136 kg)



Dining table: Supports up to 1250 lbs. (570 kg)

Need Assistance? Visit us at: samsclub.com/membersmarkhelp

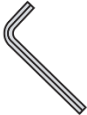
Components

(A) Table top Qty: 1pc	(B) Table leg 1 Qty: 1pc	(C) Table leg 2 Qty: 1pc
		

Hardware




(D) Allen/Hex Bolt M6x25mm Qty: 8pcs	(E) M6 Washer Qty: 8pcs
	

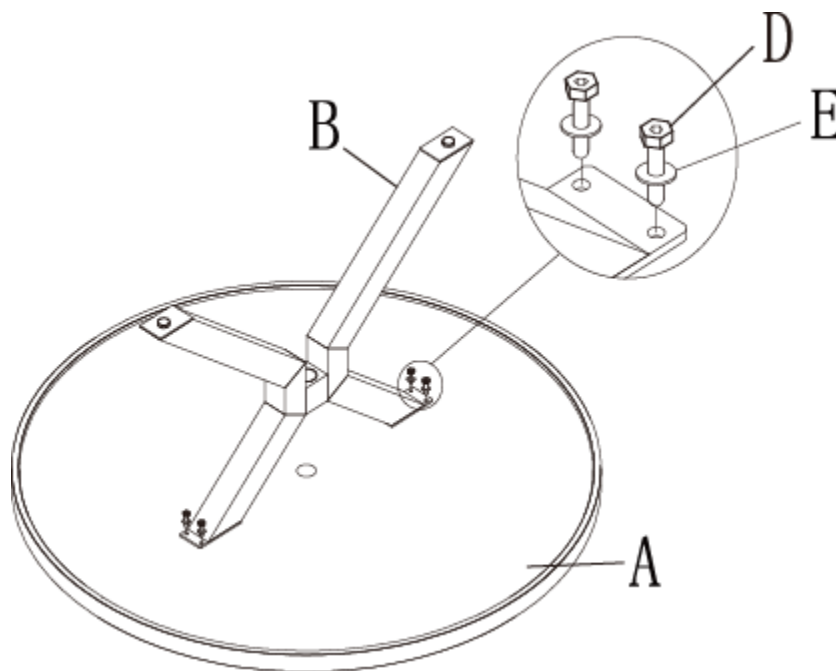
Tools

(F) M6 Allen Wrench Qty: 1pc


Need Assistance? Visit us at: samsclub.com/membersmarkhelp

Step 1



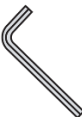
<p>(D) Allen/Hex Bolt M6x25mm Qty: 4pcs</p> 	<p>(E) M6 Washer Qty: 4pcs</p> 	<p>(F) M6 Allen Wrench Qty: 1pc</p> 
---	--	---

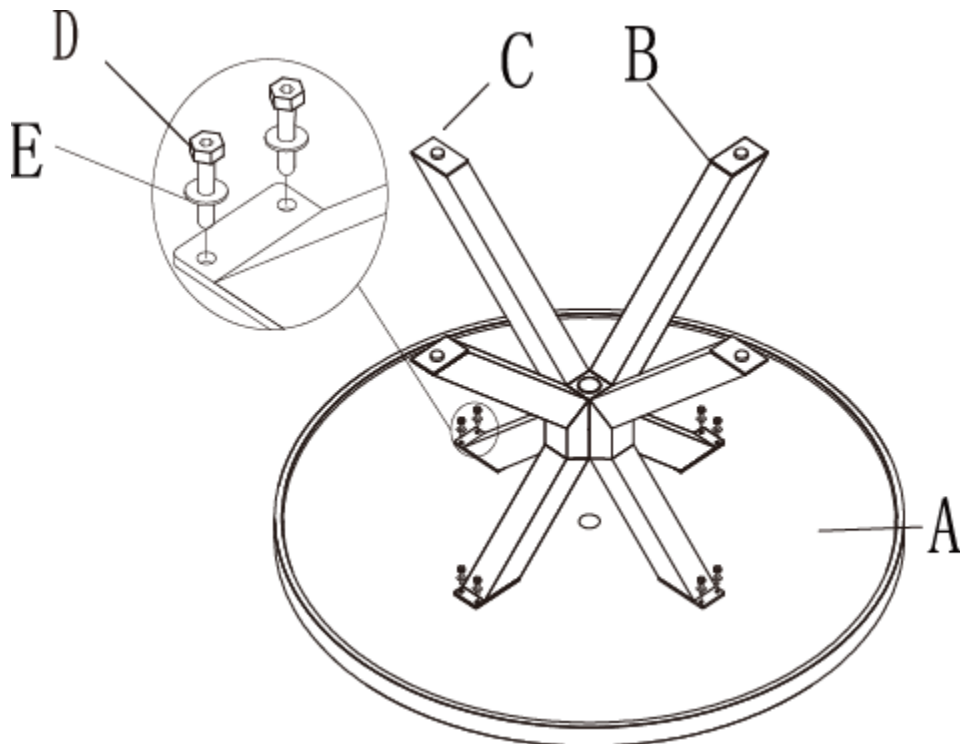


Carefully place table top (A) upside down a soft, flat and non-abrasive surface.
Attach the table leg 1(B) to table top (A) with bolts(D) and Washer(E) by using M6
Allen Wrench(F).
Do not tighten the bolts until assembling is completed.

Need Assistance? Visit us at: [samsclub.com/membersmarkhelp](https://www.samsclub.com/membersmarkhelp)

Step 2

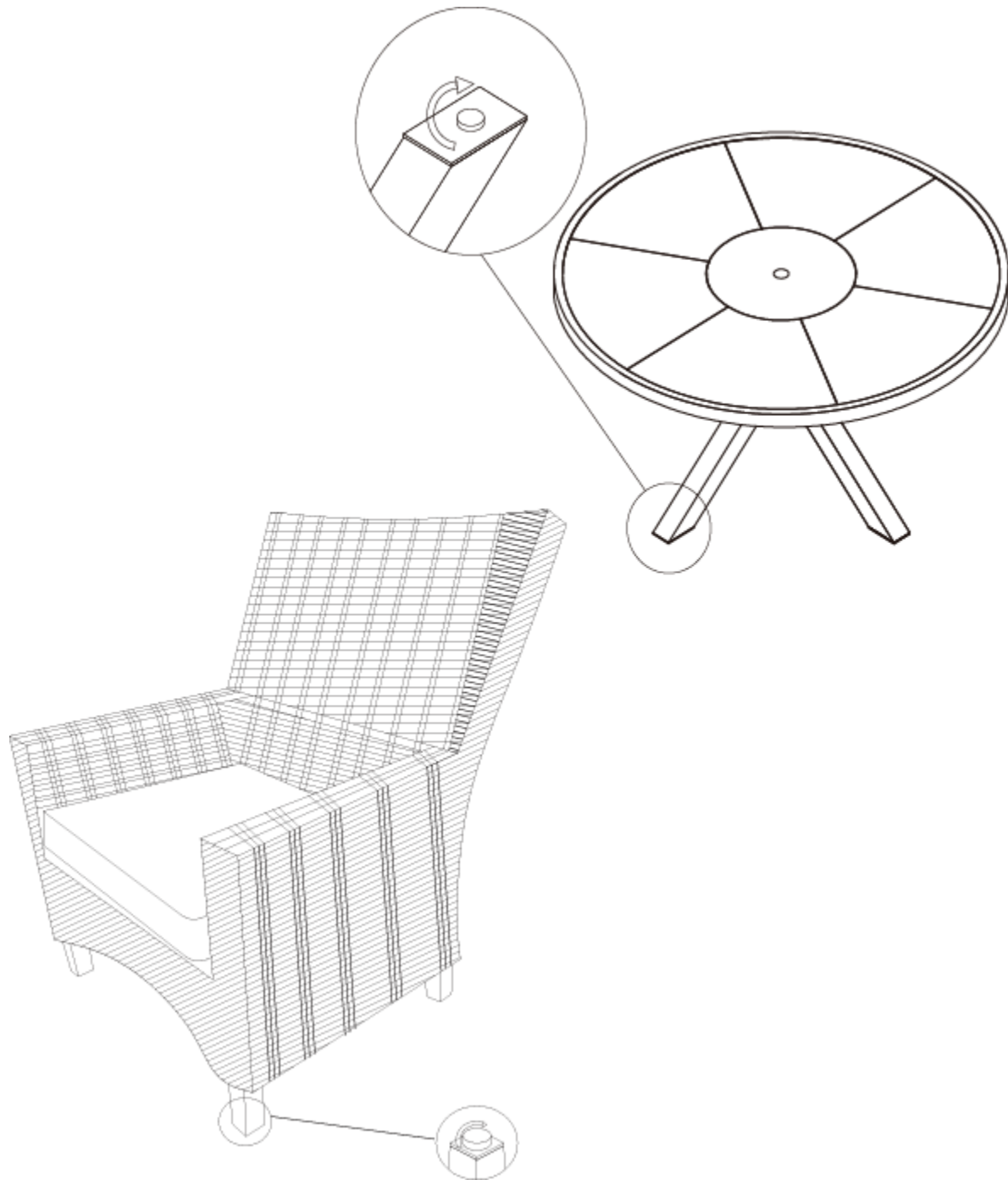
<p>(D) Allen/Hex Bolt M6x25mm Qty: 4pcs</p> 	<p>(E) M6 Washer Qty: 4pcs</p> 	<p>(F) M6 Allen Wrench Qty: 1pc</p> 
---	--	---



Attach the table leg 2(C) to table top (A) with bolts(D) and Washer(E) by using M6 Allen Wrench(F).
Tighten all the bolts with M6 Allen Wrench(F).

Need Assistance? Visit us at: [samsclub.com/membersmarkhelp](https://www.samsclub.com/membersmarkhelp)

Step 3

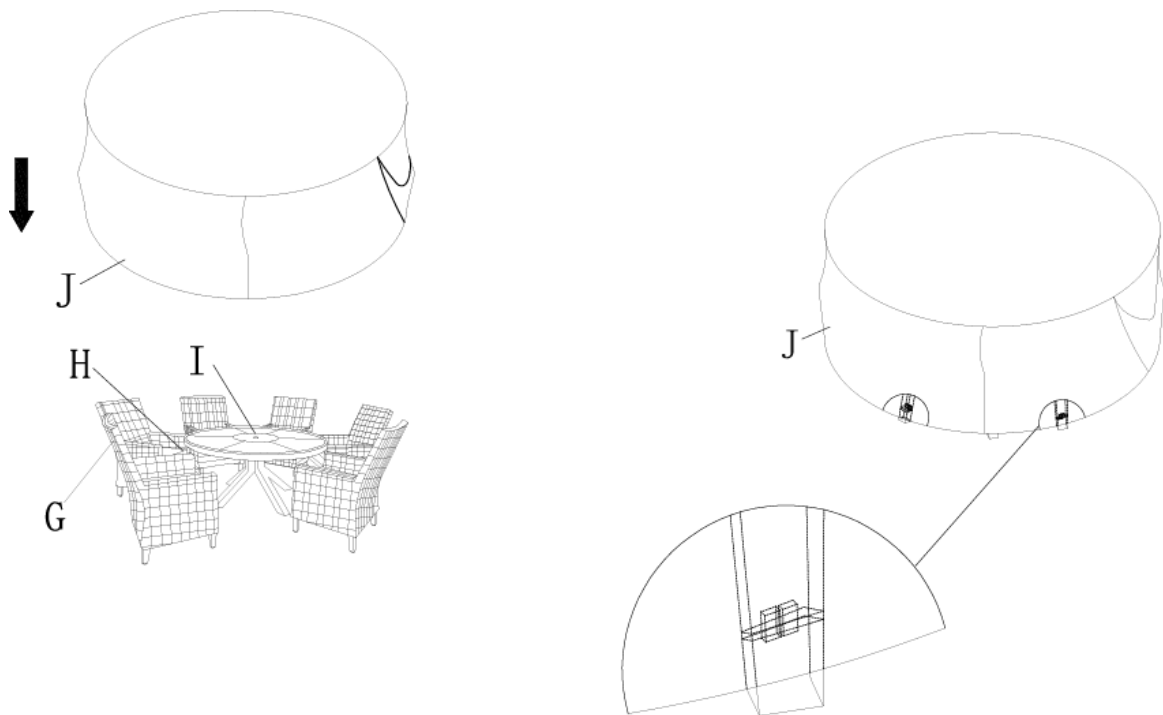


Carefully turn the coffee table over.
The dining table is ready for your enjoyment.
If the chair and table is uneven, you can adjust the feet to make it even.

Need Assistance? Visit us at: [samsclub.com/membersmarkhelp](https://www.samsclub.com/membersmarkhelp)

Furniture Cover

Component	Description	Quantity	Component	Description	Quantity
G	Dining chair	6	I	Dining table	1
H	Seat Cushion	6	J	Furniture cover for dining set	1



For maximum protection, use Heavy Duty Furniture Cover (J). Fasten adjustable cord lock to secure the cover from wind and snug fit.

Need Assistance? Visit us at: [samsclub.com/membersmarkhelp](https://www.samsclub.com/membersmarkhelp)

Warranty Information

This product component has a 5 year guarantee against defects in material and/or workmanship. If you have any questions regarding the warranty or spare / replacement parts, please call our toll-free number 1-800-691-2824 or email us at customerservice@coronadocasuals.com

NOTE: Please consider recycling all applicable packaging material.

Distributed by Sam's West Inc.
2101 SE Simple Savings Dr.
Bentonville, Arkansas 72716-0745

Made in China



Need Assistance? Visit us at: [samsclub.com/membersmarkhelp](https://www.samsclub.com/membersmarkhelp)