



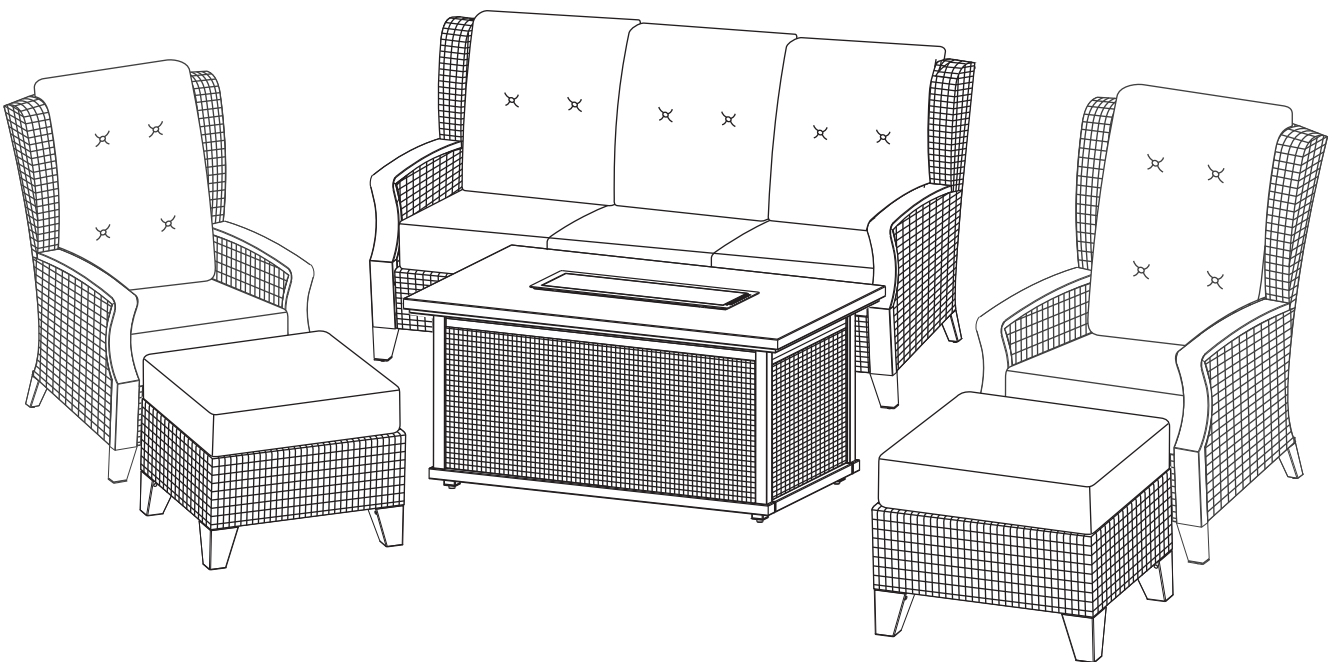
**Assembly Instructions & User's Manual
for
Member's Mark Newcastle 6pc Fire Seating Set**

Item Number:

Model Number: BGX07700-6SC

Customer Assistance (spare/replacement parts): 1-800-416-3511

or Email: customerservice@agio-usa.com



**THIS ASSEMBLY MANUAL CONTAINS IMPORTANT SAFETY INFORMATION.
PLEASE READ AND KEEP FOR FUTURE REFERENCE.**

Table of Contents

Quality Statement.....	3
Important Safety Information.....	3
Before Assembly.....	3
Package Contents.....	4
Product Information.....	5
Components.....	6
Hardware.....	6
Tools.....	6
Step 1 – Step 7.....	7-9
Care & Use and Storage Instructions.....	10
Warranty Information.....	10

Quality Statement

Questions or Comments?

We would love to hear about your Member's Mark experience! Visit us at:
samsclub.com/membersmarkhelp

Important Safety Information

- *Please read all instructions carefully before assembling this furniture.*
- *For your safety, assembly by two or more adults is strongly recommended.*
- *Use only vendor-supplied hardware to assemble this item. Using unauthorized hardware could jeopardize the structural integrity of the item.*
- *Hardware may loosen overtime. Periodically check that all connections are tight.*

Before Assembly

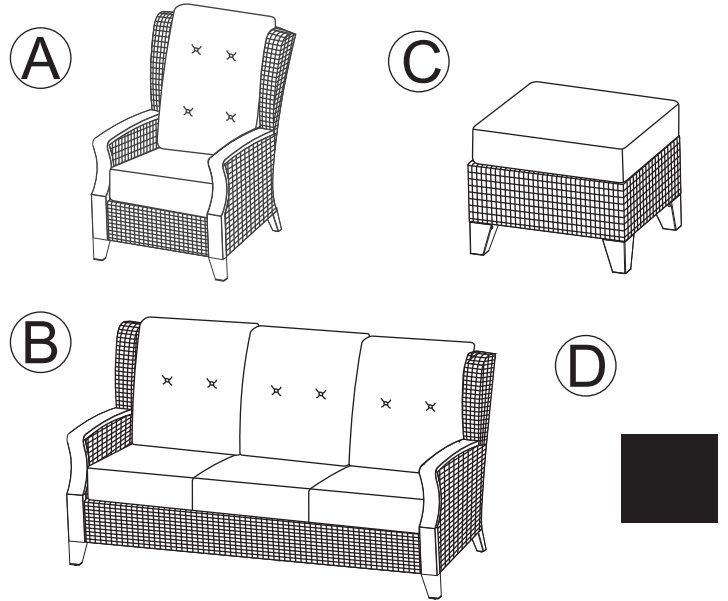
- *Remove all parts and hardware from the box. Place all items on a carpeted or scratch-free work surface, as this will avoid damaging parts during assembly.*
- *The shipping box provides an ideal work surface.*
- *To avoid accidentally discarding small parts or hardware, do not dispose of any packaging or contents of the shipping carton until assembly is complete.*
- *Use the parts and hardware lists below to identify and separate each of the pieces included.*
- *The use of power tools for assembly is not recommended. Power tools can damage the hardware and/or split the frame.*
- *Note: Do not fully tighten all bolts until all parts are in place. Failure to follow these instructions may cause the bolts to misalign during assembly.*

Package Contents

1Set / 3Ctn

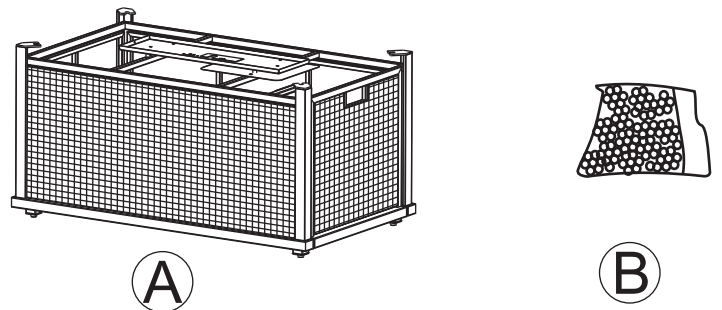
Box 1 of 3:

Component	Description	Quantity
A	Deep seating chair	2
B	Sofa	1
C	Ottoman	2
D	Furniture cover	4



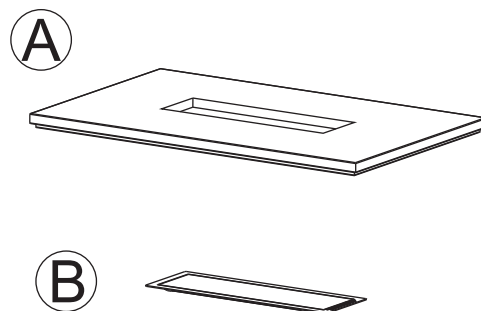
Box 2 of 3:

Component	Description	Quantity
A	Fire pit table base	1
B	Fire ices	1

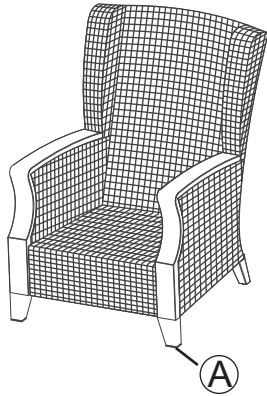


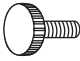
Box 3 of 3:

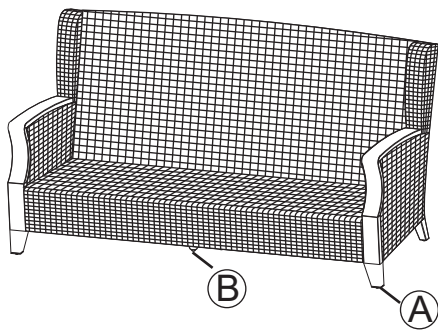
Component	Description	Quantity
A	Fire pit table top	1
B	Burner cover	1





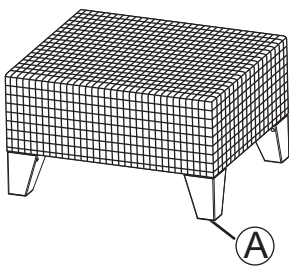
Product information

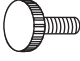


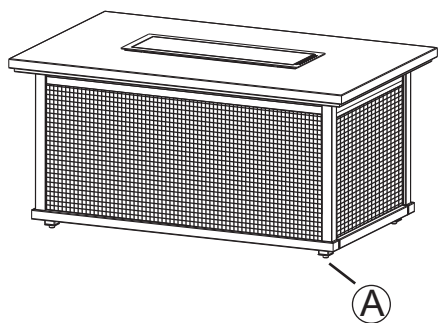
Description	Part No.	Dimensions	Weight Capacity	Factory Assembly
Chair	BGX07700	29.5" W *35.75" D *42.5" H	250lb per seat	Y
A.Foot cap-1 	FC0607	N/A	N/A	Y

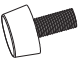


Description	Part No.	Dimensions	Weight Capacity	Factory Assembly
Sofa	BGX07706	75.5" W *34.75" D *39"H	250LB per seat, total 750LB	Y
A.Foot cap-1 	FC0607	N/A	N/A	Y
B.Foot cap-2 	FC0309	N/A	N/A	Y


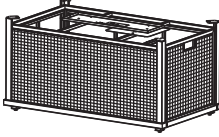


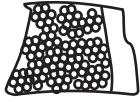


Description	Part No.	Dimensions	Weight Capacity	Factory Assembly
Ottoman	BGX07708	19.75" W * 23" D *13.75"H	N/A	Y
A.Foot cap-1 	FC0607	N/A	N/A	Y


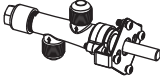



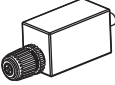


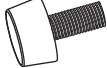


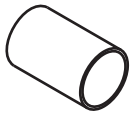


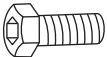

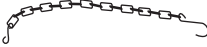


Description	Part No.	Dimensions	Weight Capacity	Factory Assembly
Fire pit table	ARE13500	52" W * 32" D * 24.5"H	N/A	N
A.Foot cap-1 	FC0553	N/A	N/A	Y



Components

<p>A. FIRE PIT TABLE TOP Part No.FP2263 Qty 1</p> 	<p>B. FIRE PIT TABLE BASE Part No.FP2264 Qty 1</p> 	<p>C. BURNER COVER Part No.FP2265 Qty 1</p> 
<p>D. BURNER PAN PROTECTIVE RING Part No.FP2266 Qty 1</p> 	<p>E. FIRE ICE Part No.FP1644 Qty 1</p> 	

Hardware

<p>(H1) CONTROL KNOB (FACTORY ASSEMBLY) PART NO: FP2329 Qty: 1</p> 	<p>(H2) GAS VALVE (FACTORY ASSEMBLY) PART NO: FP2330 Qty: 1</p> 	<p>(H3) THERMOCOUPLE (FACTORY ASSEMBLY) PART NO: FP2331 Qty: 1</p> 
<p>(H4) FLEX CONNECTOR (FACTORY ASSEMBLY) PART NO: FP2332 Qty: 1</p> 	<p>(H5) ELECTRODE (FACTORY ASSEMBLY) PART NO: FP2333 Qty: 1</p> 	<p>(H6) IGNITION MODULE (FACTORY ASSEMBLY) PART NO: FP2334 Qty: 1</p> 
<p>(H7) LP REGULATOR HOSE (FACTORY ASSEMBLY) PART NO: FP2250 Qty: 1</p> 	<p>(H8) LP TANK RETAINING KNOB (FACTORY ASSEMBLY) PART NO:FP0585 Qty: 2</p> 	<p>(H9) ADJUSTABLE FOOT CAPS (FACTORY ASSEMBLY) PART NO:FC0553 Qty: 4</p> 
<p>(H10) PROPANE ORIFICE (FACTORY ASSEMBLY) PART NO: FP2122 Qty: 1</p> 	<p>(H11) NATURAL GAS ORIFICE PART NO: 2123 Qty: 1</p> 	<p>(H12) AIR SHUTTER PART NO: FP1922 Qty: 1</p> 
<p>(H13) "AA" BATTERY(1.5V) PART NO: HW0905 Qty: 1</p> 	<p>(H14) M4 BOLT(FACTORY ASSEMBLY) PART NO:HW0898 Qty: 3</p> 	<p>(H15) 1/4" X 20 MM BOLT PART NO:HW0802 Qty: 4</p> 
<p>(H16) Ø20 X Ø6.5 X 2.0 MM WASHER PART NO:HW0594 Qty: 4</p> 	<p>(H17) CHAIN (FACTORY ASSEMBLY) PART NO: FP2268 Qty: 1</p> 	

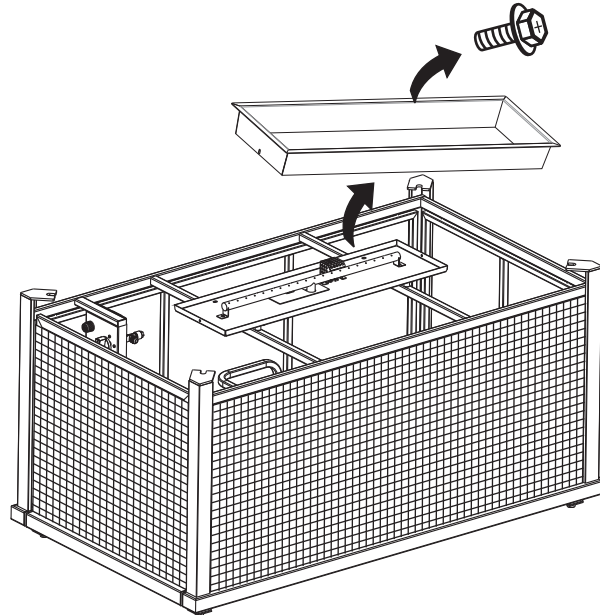
Tools

<p>(H18) HEX BOLT DRIVER PART NO:HW0900 Qty: 1</p> 	<p>(H19) HEX BOLT DRIVER PART NO:HW0006 Qty: 1</p> 	
--	--	--

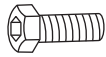


Step 1 - Step 7

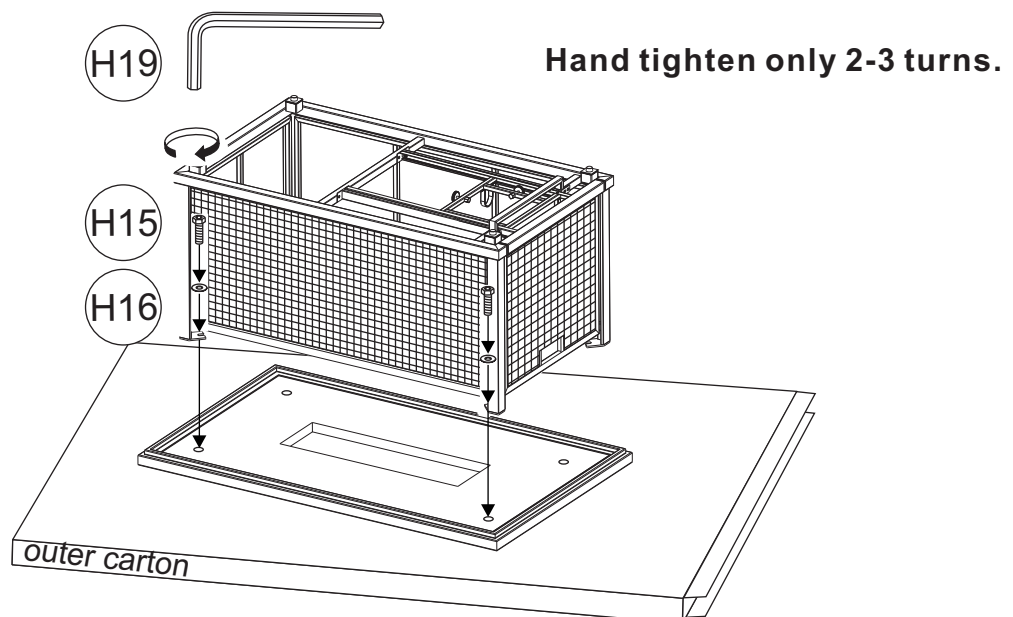
Step 1

There are three factory assembled M4 screws in the firepan/burner assembly. Remove those three screws in order to remove the burner pan protective ring.



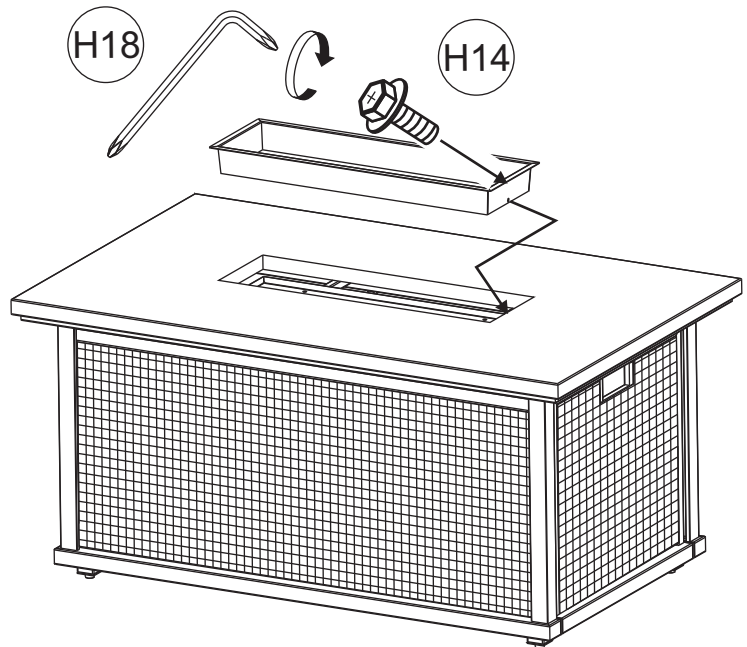
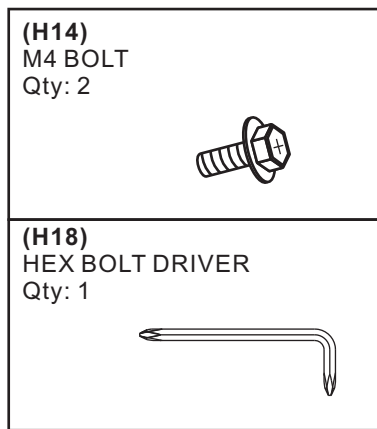
Step 2

<p>(H15) 1/4" X 20 MM BOLT Qty: 4</p> 	<p>(H16) Ø20 X Ø6.5 X 2.0 MM WASHER Qty: 4</p> 	<p>(H19) HEX BOLT DRIVER Qty: 1</p> 
---	--	--



Step 3

Place the burner pan protective ring, into the burner as shown in the diagram. Secure the burner pan protective ring to the burner pan by using the two M4 screws.



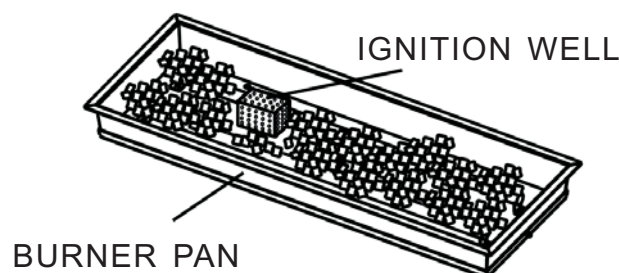
NOTE: Bolts must be FULLY tightened.

Step 4

Place the firepit table in its final position. There must be a minimum of 24 inches of clearance from the side of the table top to any combustible walls.

Step 5

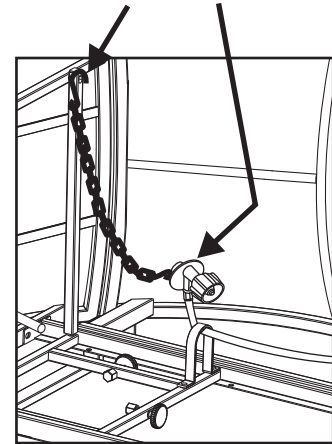
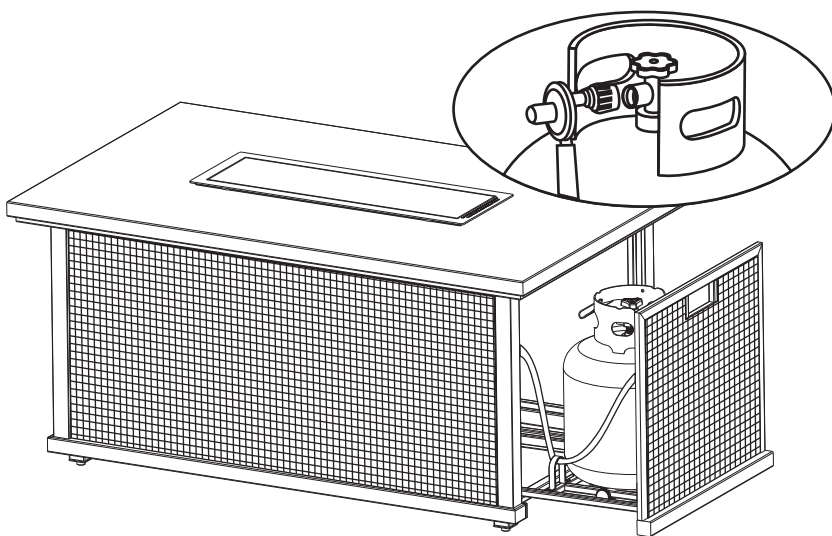
Pour ALL the fire ices into the burner pan. The burner MUST be completely covered to ensure the appliance functions properly and safely. Remove any fire ice on top of the ignition well.



Step 6

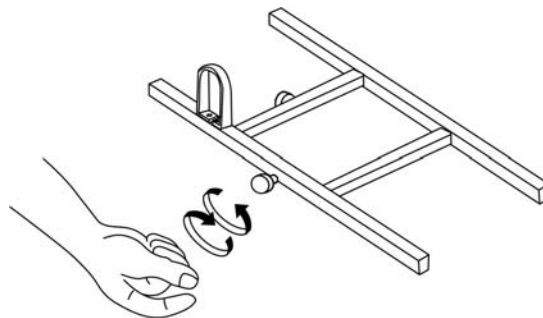
Open the door and place the LP tank in the bottom frame. Connect the regulator. Turn the black handle clockwise to tighten. Turn the handle counterclockwise to remove. The hose must point down. Open the control door and check that the valve is turned all the way clockwise to the “OFF” position. Open the tank valve. Apply a solution of soapy water to the tank-regulator connection and to the valve-hose connection to check for leaks. If soap bubbles continue to form, the connection has a leak. If a leak is found, close the tank valve and tighten all connections. **NEVER USE A FLAME TO CHECK FOR LEAKS.**

Please do not remove the chain from the fire pit base frame end or from the valve end when the valve is disconnected from cylinders.



Step 7

Tighten the threaded knobs found on the tank tray so that the LP tank cannot move from side to side. Do not remove the plastic cap from the end of the threaded section.



Care & Use Instructions

CARE AND MAINTENANCE

FRAMES

Cleaning - Use mild soap and warm water. Do not use abrasive materials, cleansers or bleach products. Rinse with clean water and dry thoroughly.

Maintenance - Periodically clean and dry thoroughly. Be sure to drain any water accumulated inside the frames. To thoroughly drain frames, remove foot caps and tilt the frames, if necessary, to remove all water. This is critical. Water allowed to accumulate inside the frames and then exposed to sub-freezing temperatures can cause damage to the frame tubing. Always clean, drain and dry thoroughly before storing for the winter. For best results, always store or cover your furniture when not in use. We recommend commercially available outdoor furniture covers. Any small nicks or scratches can be covered with a light application of touch-up paint.

** When cleaning or moving large or heavy items, always have two people work together. Never drag furniture.

FABRICS (CUSHIONS/SLINGS)

Cleaning - Wipe minor spills immediately. Clean with mild soap, warm clean water and soft cloth. Do not use abrasive materials, cleansers or bleach products. Although fabric has been treated to resist stains, occasional use of commercially available fabric cleaners may be necessary. Follow manufacturer's instructions.

Maintenance - The best way to maintain the beauty of cushions and slings is to store them in a dry area and out of the elements when not in use or cover with commercially available outdoor furniture covers.

Furniture covers are a great way to protect your set from harsh elements of weather and UV light. However, it is important to ensure furniture and covers are free of moisture and debris before covering. It is also necessary to promptly uncover furniture after rain and during periods of high humidity to prevent moisture build up. Failure to do so can lead to permanent surface and finish damage.

STRAPS

Cleaning - Wash frequently with mild soap, warm water and a soft cloth. Rinse thoroughly with warm, clean water. Do not use abrasive materials, cleansers or bleach products.

Maintenance - Periodic application of commercially available vinyl cleaners and vinyl protectors will enhance the look and prolong the life of straps. If your strap chair has cushions, make sure any vinyl protectors applied are completely dry before placing cushion back on the chair.

CERAMIC TILE

Use clean water and mild detergent or commercially available ceramic tile cleaners as necessary. Do not use abrasive materials or cleansers as they may scratch the surface of the tiles. Dry with soft cloth. Do not use commercially available ceramic tile cleaners on table frame.

Warranty Information

This product component has a 5 year guarantee against defects in material and/or workmanship. If you have any questions regarding the warranty or spare / replacement parts, please call our toll-free number 1-800-416-3511 or email us at customerservice@agio-usa.com

NOTE: Please consider recycling all applicable packaging material.

Distributed by Sam's West Inc.
2101 SE Simple Savings Dr.
Bentonville, Arkansas 72716-0745

Made in China

