



# Assembly Instructions & User's Manual

for

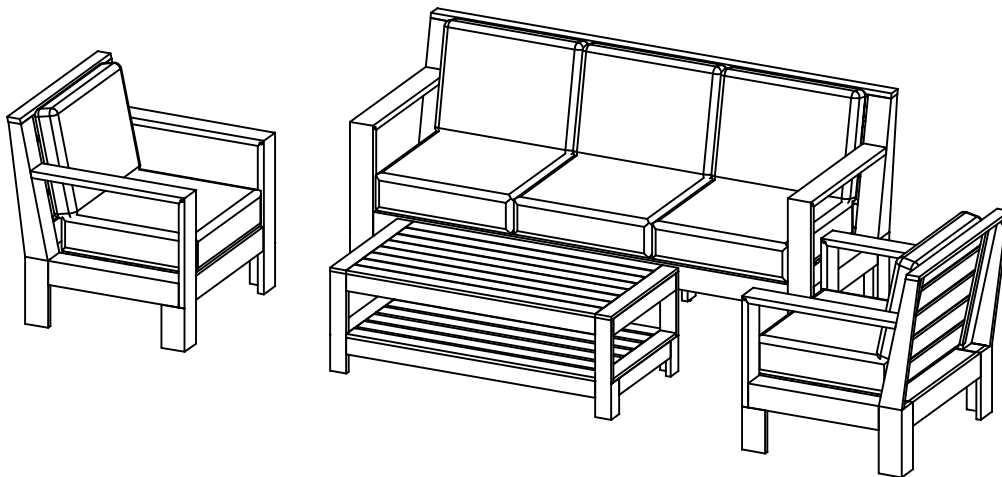
***Member's Mark***

***4 pc Sofa Deep Seating Set***

***Model Number: TM610496***

**Customer Assistance (spare/replacement parts): 1-888-287-4275 (From 9:00 am to 5:00 pm CST, Monday to Friday)**

**or Email: [info@cambridgecasual.com](mailto:info@cambridgecasual.com)**



THIS ASSEMBLY MANUAL CONTAINS IMPORTANT SAFETY INFORMATION.  
PLEASE READ AND KEEP FOR FUTURE REFERENCE.

# Table of Contents

Quality Statement .....	3
Important Safety Information .....	3
Before Assembly .....	3
Care & Use .....	3
Package Contents (Arm Chair) .....	4
Product Information .....	5
Components .....	5
Hardware .....	5
Tools .....	5
Step 1 - Step 4 .....	6
Package Contents (Bench) .....	7
Product Information .....	8
Components .....	8
Hardware .....	8
Tools .....	8
Step 1 - Step 4 .....	9
Package Contents (Table) .....	10
Product Information .....	11
Components .....	11
Hardware .....	11
Tools .....	11
Step 1 - Step 4 .....	12
Troubleshooting .....	13
Care & Use Instruction .....	13
Warranty Information .....	14

# Quality Statement

## Questions or Comments?

We would love to hear about your Member's Mark experience! Visit us at: [samsclub.com/membersmarkhelp](https://samsclub.com/membersmarkhelp)

## Important Safety Information

- *Please read all instructions carefully before assembling this product.*
- *Where applicable, and for your safety, assembly by an adult is strongly recommended.*
- *Use only vendor-supplied hardware to assemble this item. Using unauthorized hardware could jeopardize the structural integrity of the item.*
- *Hardware may loosen overtime. Periodically check that all connections are tight.*

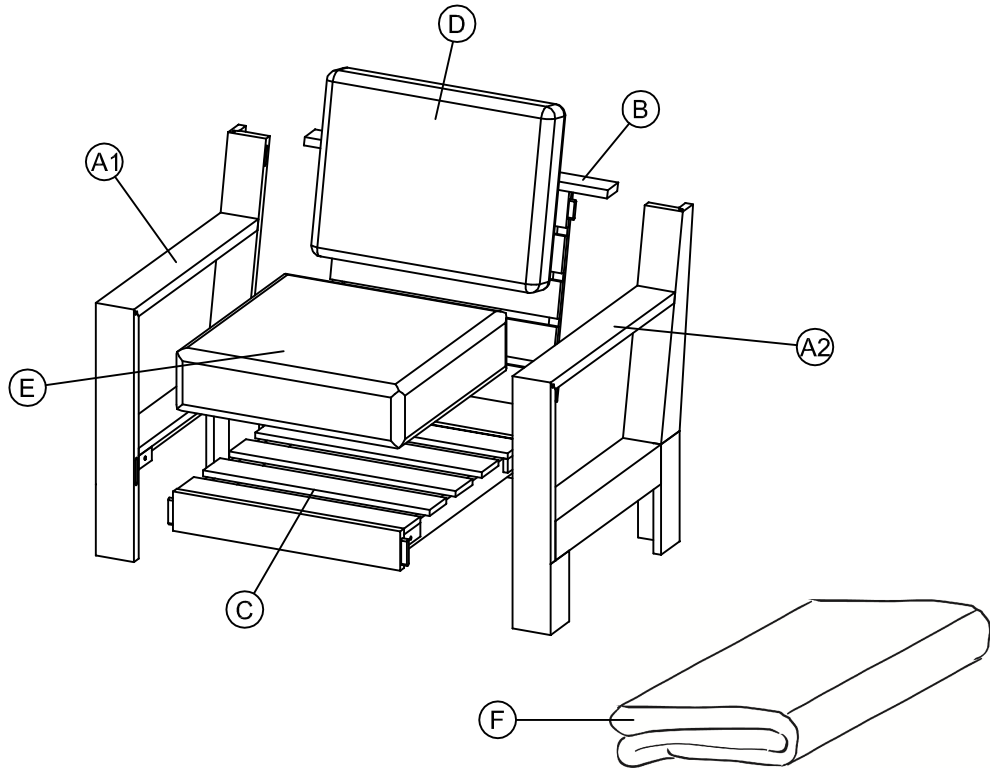
## Before Assembly

- *Remove all parts and hardware from the box. Place all items on a carpeted or scratch-free work surface, as this will avoid damaging parts during assembly.*
- *The shipping box can provide an ideal work surface if none is available.*
- *Use the components and hardware lists below to identify, inventory and separate each of the hardware and components included.*
- *To avoid accidentally discarding small components or hardware, do not dispose of any packaging or contents of the shipping carton until assembly is complete.*
- **DO NOT USE** *power tools unless it is explicitly identified in this manual as required for use during assembly. Power tools can damage the fasteners, hardware and/or components.*
- *Do not fully tighten all fasteners / screws until all parts are in place. Failure to follow these instructions may cause the fasteners / screws to misalign during assembly*

## Care & Use

- *Use a soft, clean cloth that will not scratch the surface when cleaning.*

# Package Contents (Arm Chair)



Component	Description	Qty
A1	Right Side Frame	1
A2	Left Side Frame	1
B	Backrest	1

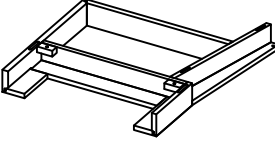
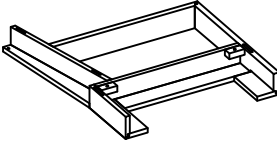
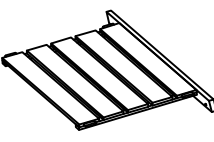
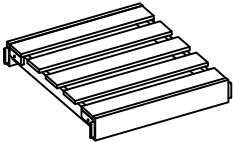
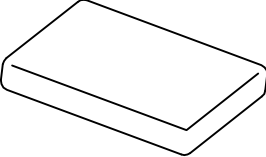
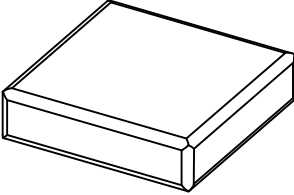
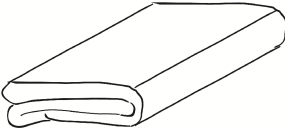
Component	Description	Qty
C	Seat	1
D	Cushion backrest	1
E	Cushion Seat	1
F	Cover	1

# Product Information (Arm Chair)

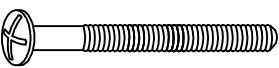
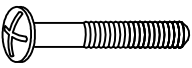
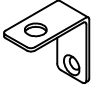
Dimensions : 31 1/2" W X 30 1/4" D X 33 1/2" H (80cm X 77cm X 85cm)

Weight Capacity : Supports up to 300 lbs (136 kg)

## Components

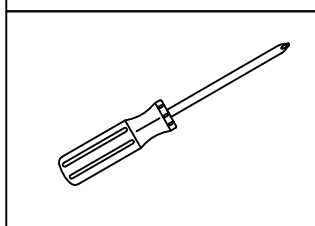
A1. Right side frame	A2. Left side frame	B. Backrest	C. Seat
			
Qty : 1 Pc	Qty : 1 Pc	Qty : 1 Pc	Qty : 1 Pc
D. Cushion Backrest	E. Cushion Seat	F. Cover	
			
Qty : 1 Pc	Qty : 1 Pc	Qty : 1 Pc	

## Hardware

G. 2 1/4" Bolt	H. 1/2" Bolt	I. Elbow Hardware
		
Qty : 4 Pcs + 1	Qty : 4 Pcs + 1	Qty : 2 Pcs

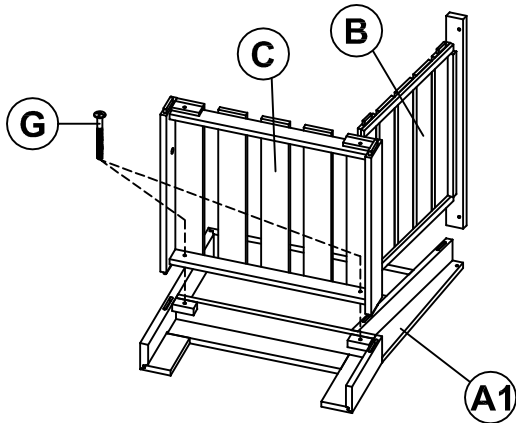
## Tools

8" Philips screwdriver  
(Not Included)



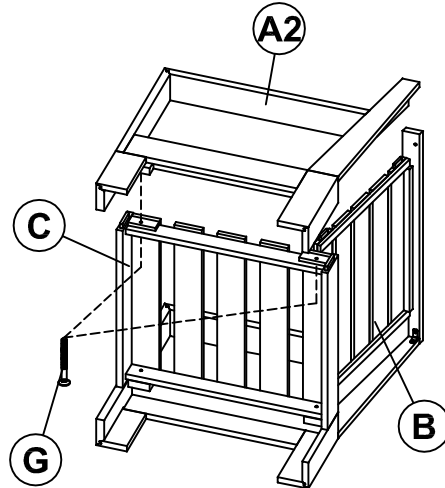
# Step 1 - Step 4 (Arm Chair)

Step 1



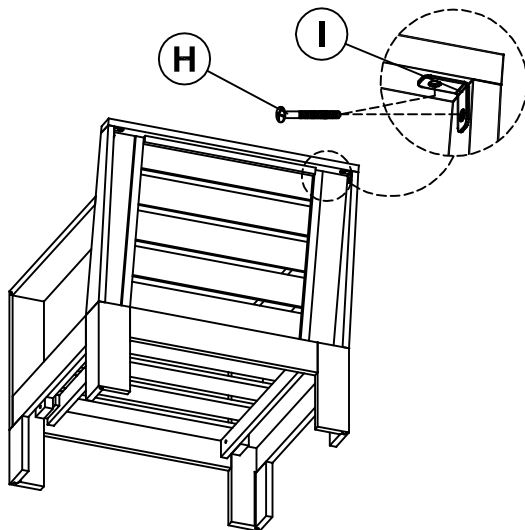
Attach backrest (B) and Seat (C) to the right side frame (A1). Secure seat (C) using 2 1/4" bolt (G) as shown.

Step 2



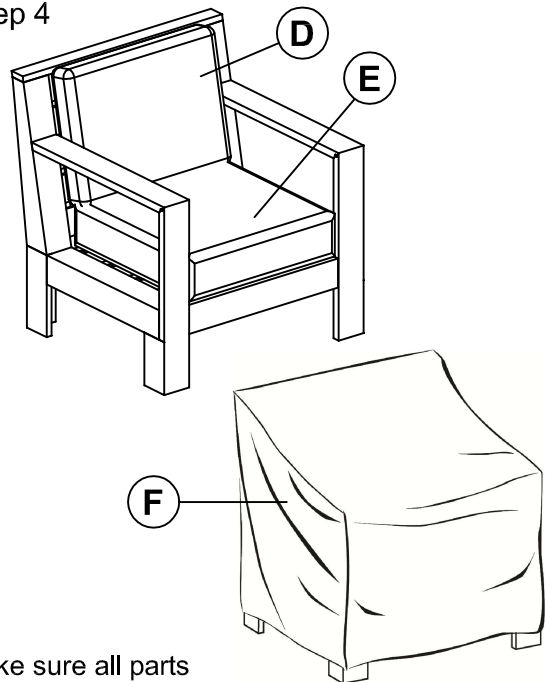
Attach the left side frame (A2) to back rest (B). Secure using 2 1/4" bolt (G)

Step 3



Install Elbow hardware (I) to the top corners where the backrest (B) meet side frames (A1 & A2). Insert all 1/2" bolts (H) into each hole and then tighten the bolt using screwdriver.

Step 4



Make sure all parts are correctly connected and tighten all bolts using screwdriver .

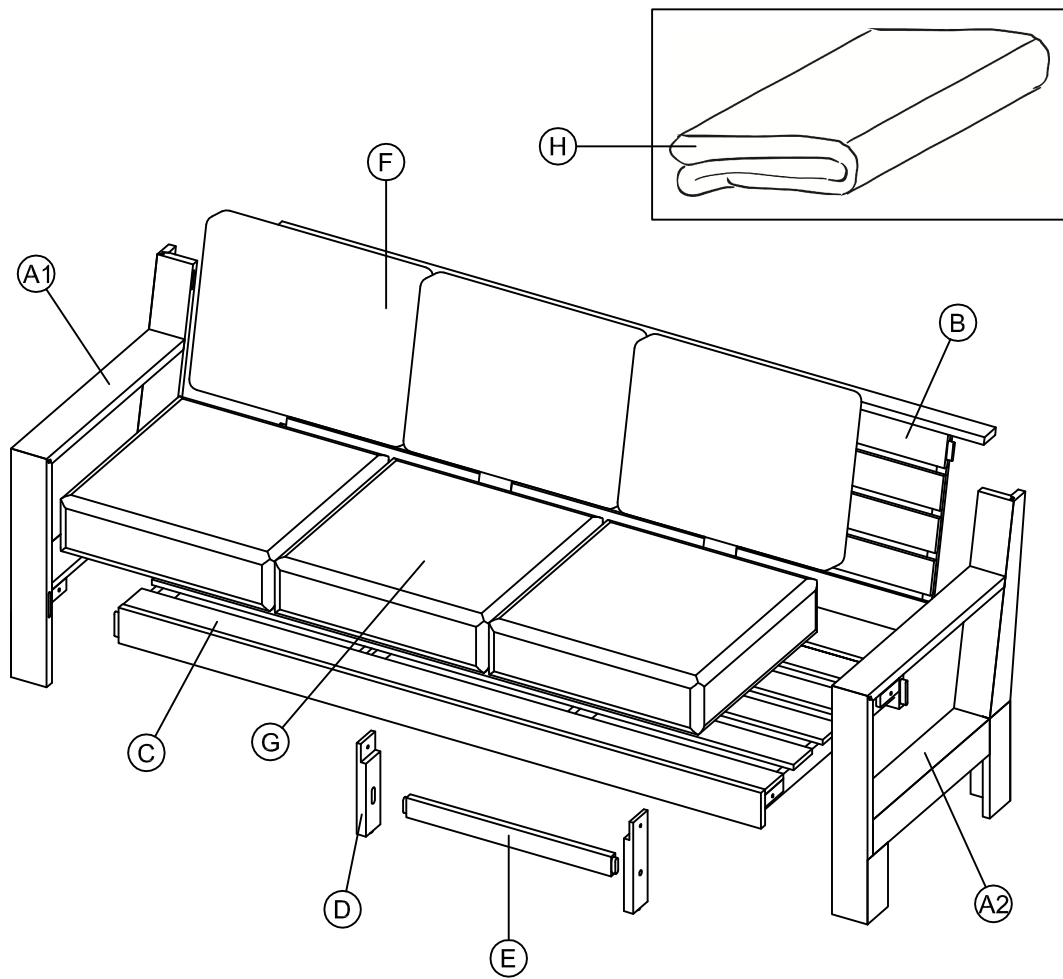
Install cushion.

**CONGRATULATION !**

THE CHAIR IS NOW READY FOR USE.

\*\*COVER THE CHAIR WHEN NOT IN USE FOR A LONG TIME

# Package Contents (Bench)



Component	Description	Qty
A1	Right Side Frame	1
A2	Left Side Frame	1
B	Backrest	1
C	Seat	1

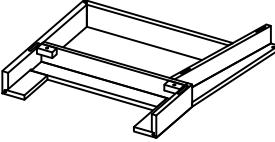
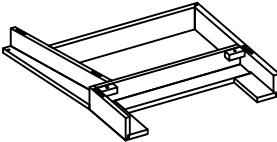
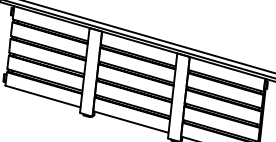

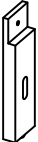
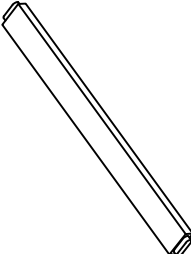
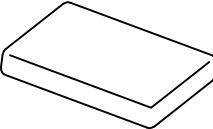
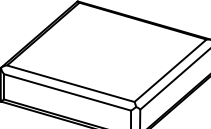
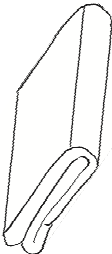
Component	Description	Qty
D	Middle leg	2
E	Cross middle leg	1
F	Cushion backrest	3
G	Cushion Seat	3
H	Cover	1

# Product Information (Bench)


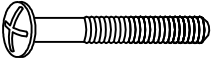
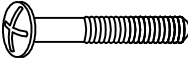
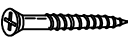

Dimensions : 78 3/4" W X 30 1/4" D X 33 1/2" H (200cm X 77cm X 85cm)

Weight Capacity : Supports up to 900 lbs (408 kg)

## Components

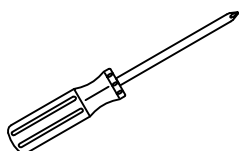
A1. Right side frame	A2. Left side frame	B. Backrest	C. Seat	
				
Qty : 1 Pc	Qty : 1 Pc	Qty : 1 Pc	Qty : 1 Pc	
D. Middle leg	E. Cross middle leg	F. Cushion Backrest	G. Cushion Seat	H. Cover
				
Qty : 2 Pcs	Qty : 1 Pc	Qty : 3 Pcs	Qty : 3 Pcs	Qty : 1 Pcs

## Hardware

I. 2 1/4" Bolt	J. 1 1/4" Bolt	K. 1/2" Bolt	L. 1 1/4" Screw
			
Qty : 4 Pcs + 1	Qty : 4 Pcs + 1	Qty : 4 Pcs + 1	Qty : 2 Pcs + 1
M. Elbow Hardware			
			
Qty : 2 Pcs			

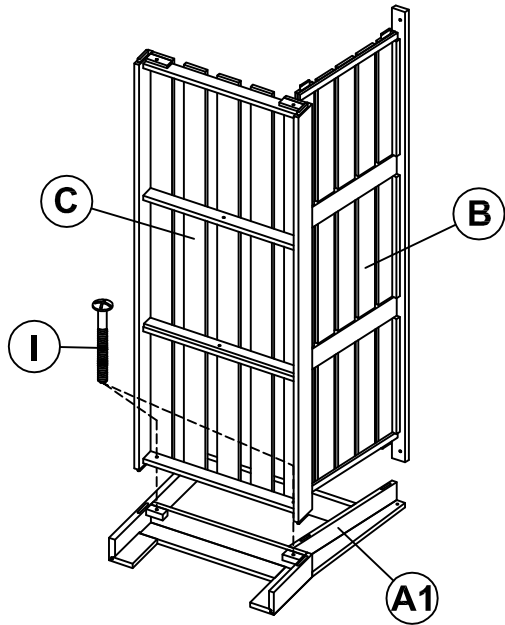
## Tools

8" Philips screwdriver  
(Not Included)



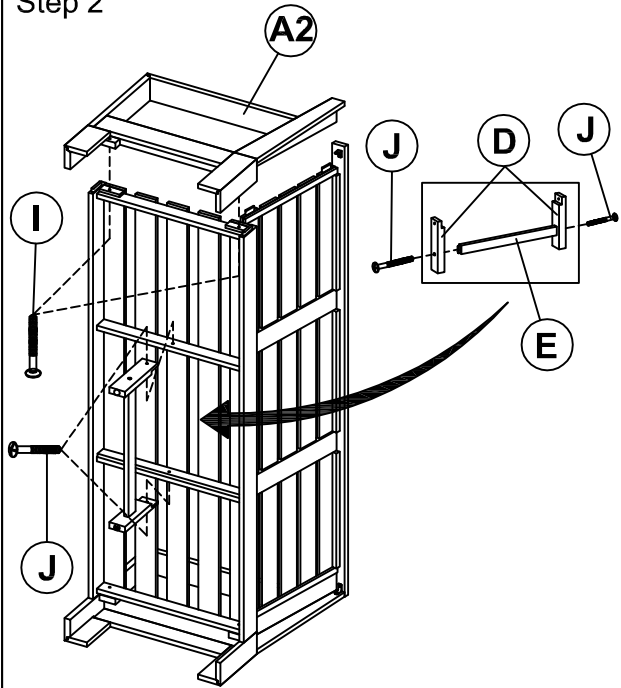
# Step 1 - Step 4 (Bench)

Step 1



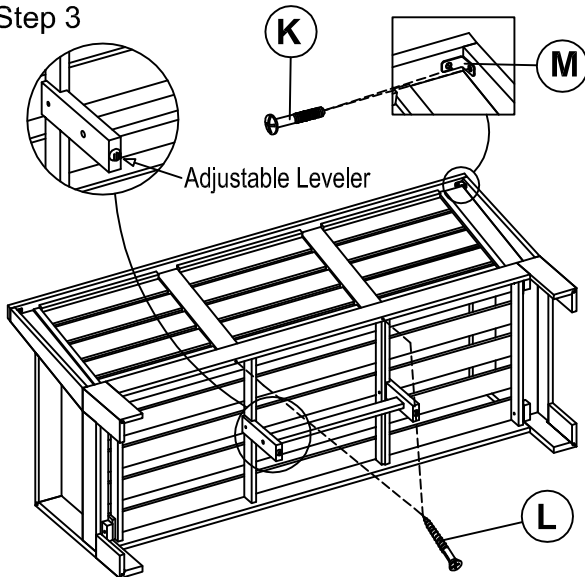
Attach the Backrest (B) and Seat (C) to the right side frame (A1). Secure seat (C) with 2 1/4" bolts (I) as shown.

Step 2



Attach the left side frame (A2) to backrest (B) and seat (C). Secure using 2 1/4" bolts (I). Assemble cross middle legs (E) and middle leg (D) using 1 1/4" bolts (J). Attach cross middle legs (E) to seat (C) using 1 1/4" bolts (J).

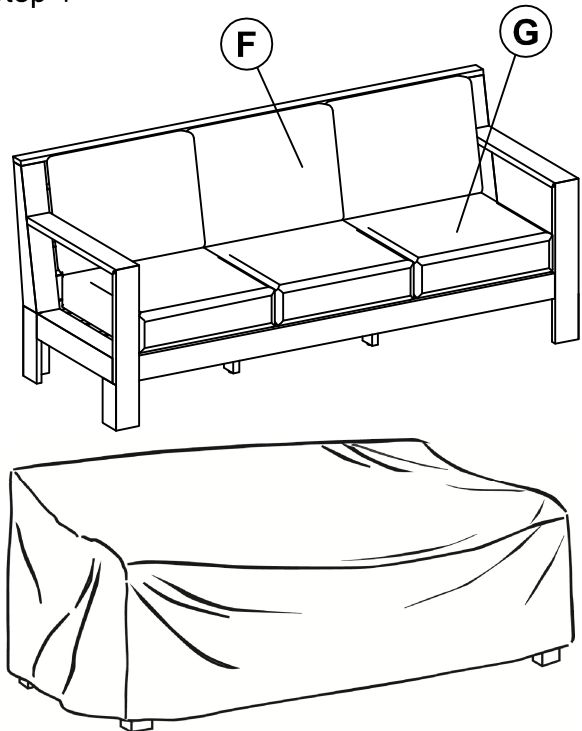
Step 3



Install Elbow hardware (M) to the top corners where the backrest (B) meet side frames (A1 & A2). Insert all 1/2" bolts (K) into each hole and tighten the bolt using screwdriver.

Then, secure the backrest using 1 1/4" screws (L) from the bottom of Seat. To balance the Seat height between the middle leg & Bench legs, adjust the leveler until legs balance before using.

Step 4

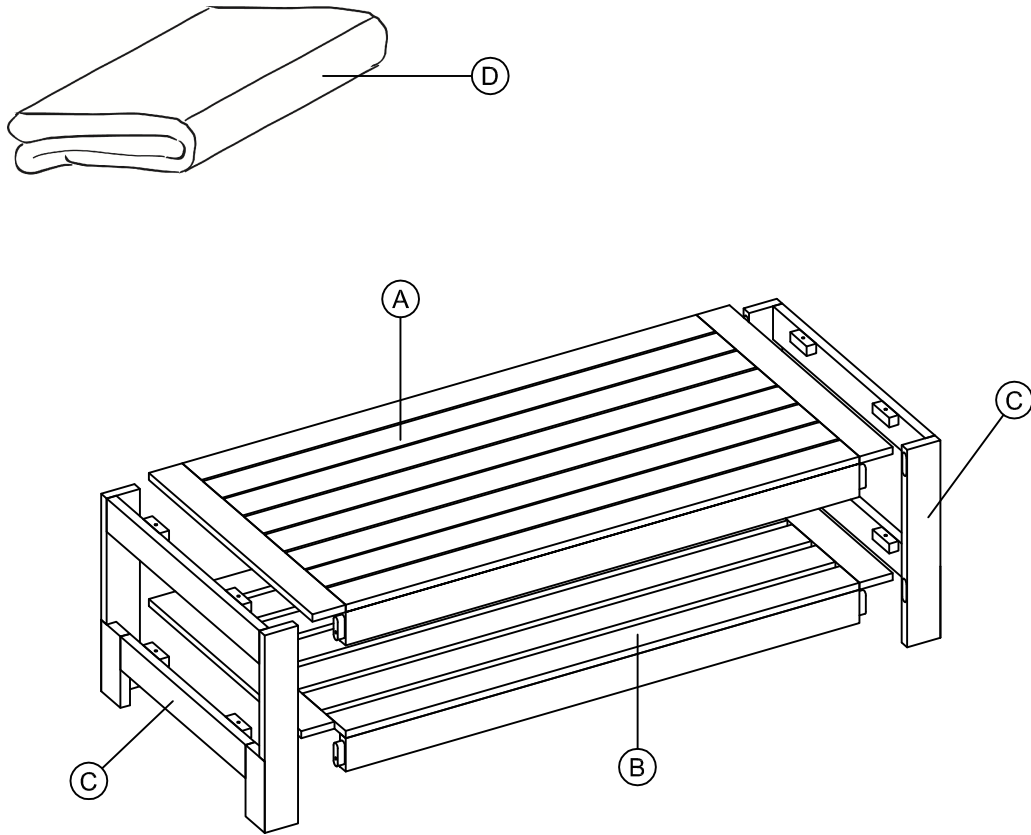


Install The Cushion (F & G)

**THE SOFA IS NOW READY FOR USE**

**\*\*COVER THE BENCH WHEN NOT IN USE FOR A LONG TIME**

# Package Contents (Table)



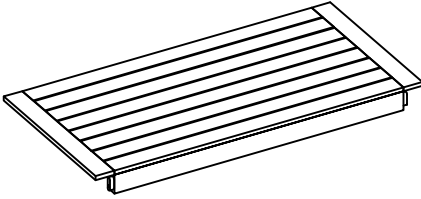
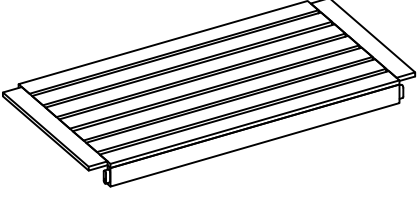
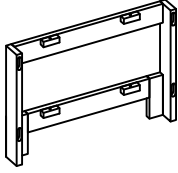
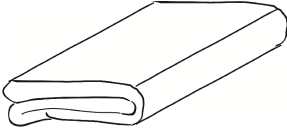
Component	Description	Qty
A	Top Frame	1
B	Tray Frame	1
C	Leg Side Frame	2
D	Cover	1

# Product Information (Table)

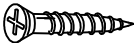

Dimensions : 48" W X 23 1/2" D X 17" H (122cm X 59.5cm X 43cm)

Weight Capacity : Supports up to 200 lbs (90 kg)

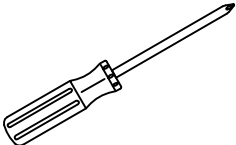
## Components

A. Top Frame	B. Tray Frame	C. Leg Side Frame
		
Qty : 1 Pc	Qty : 1 Pc	Qty : 2 Pcs
D. Cover		
		
Qty : 1 Pc		

## Hardware

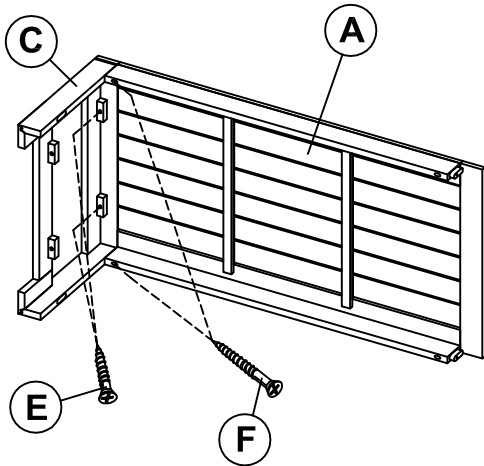
E. 1 1/4" Screw	F. 2" Screw
	
Qty : 8 Pcs + 1	Qty : 8 Pcs + 1

## Tools

8" Philips screwdriver (Not Included)


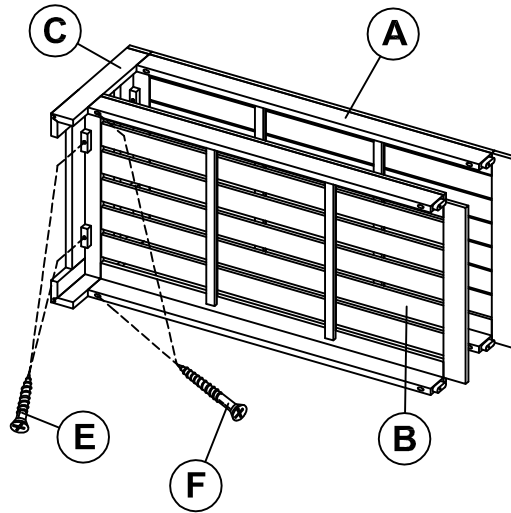
# Step 1 - Step 4 (Table)

Step 1



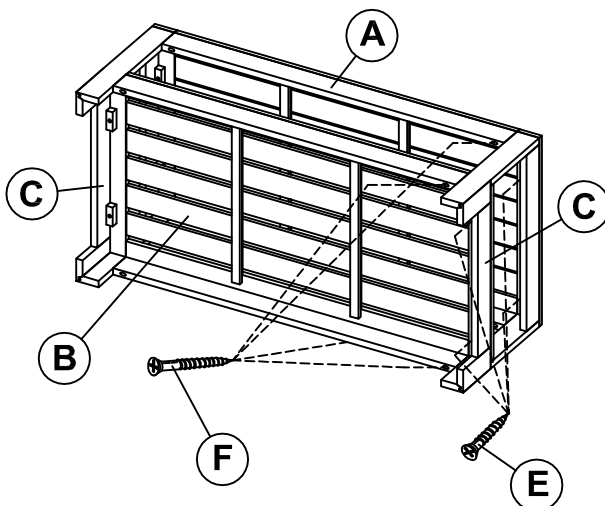
Attach the top frame (A) to the leg side frame (C). Secure using 1 1/4" screws (E) on the top frame first and tighten screws using a Phillips screwdriver. Next, secure using 2" screws (F) on the leg side frame (C) and tighten all screws using a Phillips screwdriver.

Step 2



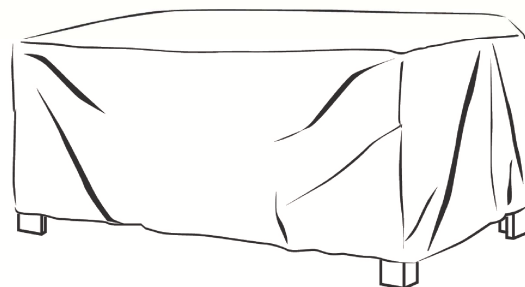
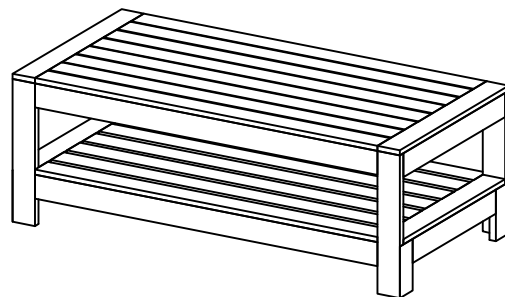
Attach the tray frame (B) to the leg side frame (C). Secure using 1 1/4" screws (E) on the tray frame and tighten screws using a Phillips screwdriver. Secure using 2" screw (F) on the leg side frame (C) and tighten all screws using a Phillips screwdriver.

Step 3



Attach the leg side frame (C) to the previous assembly. Secure using 1 1/4" screws (E) on top frame (A) and the tray frame (B). Tighten screws using a Phillips screwdriver. Next, secure using 2" screws (F) on the leg side frame (C) and tighten all screws using a Phillips screwdriver.

Step 4



**THE TABLE IS NOW READY FOR USE**  
**\*\*COVER THE TABLE WHEN NOT IN USE FOR A LONG TIME**

## Troubleshooting

Problem	Possible Cause	Prevention / Solution
Tilting / Leaning	Surface not level	Place it on a level floor
Rickety	Bolt not tight enough	Tighten all bolts / screw

## Care & Use Instruction

Teak wood, when left bare and unsanded, will naturally fade to a silver-gray color. This silver-gray color transformation does not in any way affect the durability of the furniture.

To maintain the smooth finish and golden brown color of your teak furniture, you will need to sand the furniture regularly with 240 - 320 grit sandpaper. To prolong the period of time needed between sanding, teak oil may also be applied.

If you choose to apply teak oil, apply every 6 months, or follow the teak oil container directions. Again, if you choose to maintain the smooth brown finish of your teak furniture, this method requires some regular maintenance, such as sanding and reapplication of teak oil. Teak oil, along with sanding, will help maintain the golden brown color.

### **Staining :**

Please note, once you stain your teak, it will not return to the natural golden brown or weathered silver-gray color without sanding off the stain. Staining is intended to be permanent. If you choose to stain your furniture after it has turned silver-gray, you must first sand it before applying the stain.

### **Cushions :**

Outdoor fabrics are designed to be breathable; they are water repellent but are not waterproof. It is recommended that you store the cushions during rainy weather.

The best way to keep your fabrics looking good is to simply clean them as needed. Rinse off dust and dirt, wipe spills as soon as they occur, or spot clean soon after stains occur. Removable cushion covers may be machine-washed in cold water with mild laundry soap and air dried.

## Warranty Information

This product component has a 1 year frames guarantee against defects in material and/or workmanship and a 5 year fabrics / cushions guarantee against separation at the seams and fading under normal usage. If you have any questions regarding the warranty or spare / replacement parts, please call our toll-free number 1-888-287-4275 (From 9:00 am to 5:00 pm CST, Monday to Friday) or email us at [info@cambridgecasual.com](mailto:info@cambridgecasual.com)

**NOTE:** Please consider recycling all applicable packaging material.

**Distributed by Sam's West Inc.**  
2101 SE Simple Savings Dr.  
Bentonville, Arkansas 72716-0745

Made in INDONESIA

