



**Member's Mark™**

**Assembly Instructions & User's Manual  
for  
Member's Mark [12'x16'ALAMEDA HARDTOP GAZEBO]**

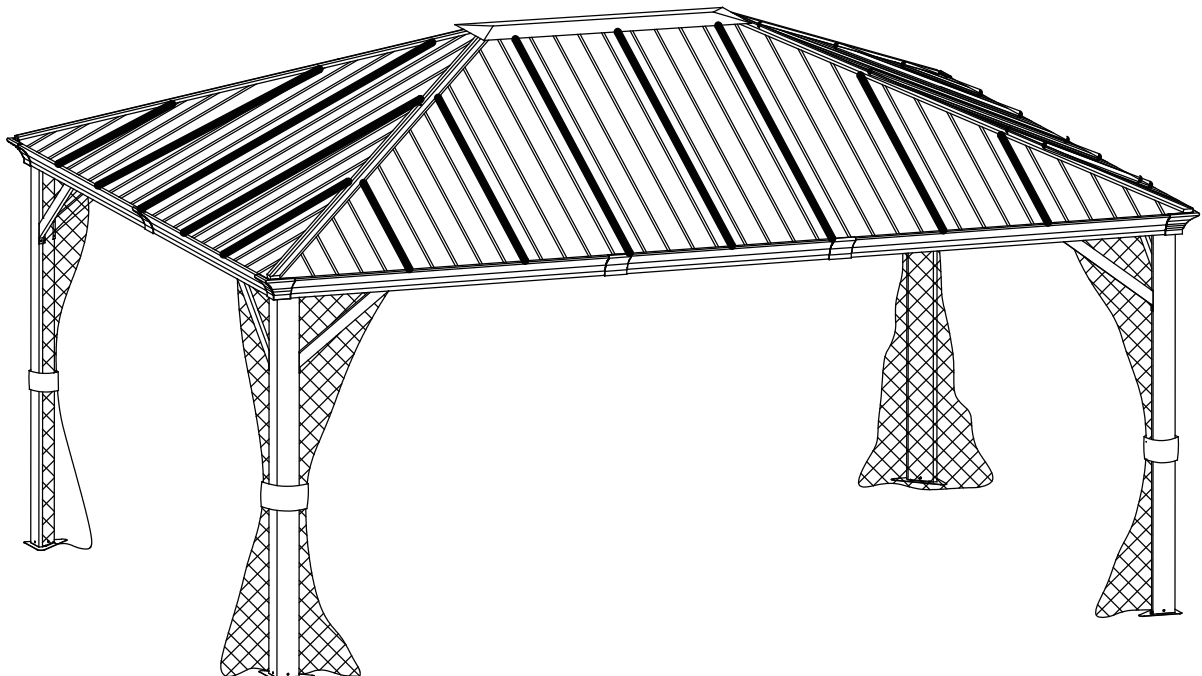
Item Number: 980241176

Model Number:TPGAZ2030

Customer Assistance (spare/replacement parts):1-800-847-7508

or Email: [servicet@taipengchina.com](mailto:servicet@taipengchina.com)

DISCLAIMER: Supplier is fully responsible for the entire content of the assembly manual, including all Sam's Club suggested edits or revisions.





**THIS ASSEMBLY MANUAL CONTAINS IMPORTANT SAFETY INFORMATION.  
PLEASE READ AND KEEP FOR FUTURE REFERENCE.**

---

---

# Table of Contents

Quality Statement .....	3
Important Safety Information.....	3
Before Assembly.....	3
Care & Use.....	3
Product Information.....	3
Components.....	4
Hardware.....	6
Tools.....	6
Step 1 – Step 3.....	7
 Warning.....	18
 Danger.....	18
Care & Use and Storage Instructions.....	18
Warranty Information.....	19

---

## Quality Statement

### Questions or Comments?

We would love to hear about your Member's Mark experience! Visit us at:  
[samsclub.com/membersmarkhelp](https://samsclub.com/membersmarkhelp)

## Important Safety Information

- Please read all instructions carefully before assembling this gazebo.
- For your safety, assembly by two or more adults is strongly recommended.
- Hardware may loosen overtime. Periodically check that all connections are tight.
- NOTICE: To prevent injury and property damage from unexpected tipping of furniture, we highly recommend installation of the anti-tip kit included with this product.

### Before Assembly

- Remove all parts and hardware from the box. Place all items on a carpeted or scratch-free work surface, as this will avoid damaging parts during assembly.
- The shipping box provides an ideal work surface.
- To avoid accidentally discarding small parts or hardware, do not dispose of any packaging or contents of the shipping carton until assembly is complete.
- Use the parts and hardware lists below to identify and separate each of the pieces included.
- The use of power tools for assembly is not recommended. Power tools can damage the hardware and/or split the wood.
- Note: Do not fully tighten all bolts until all parts are in place. Failure to follow these instructions may cause the bolts to misalign during assembly.

### Care & Use

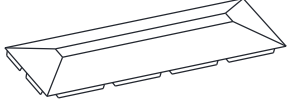
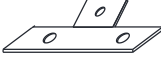
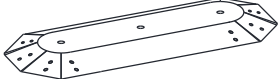




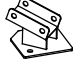
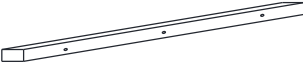


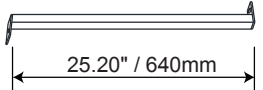

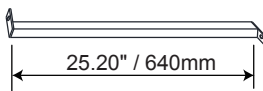

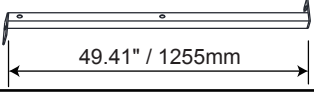
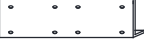
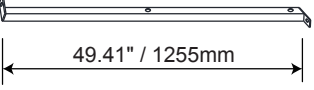
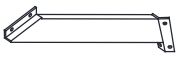
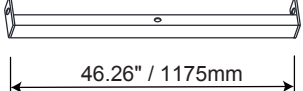

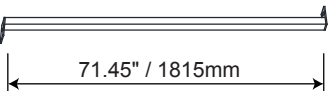
- For cleaning, use a mild detergent solution, rinse with water, and allow to air dry. Do not use acetone, abrasive, or other special detergents as they would be harmful to the product's finish.
- Due to the nature of metal, surface oxidation (rusting) will occur if this protective coating is scratched.  
This is a natural process. To minimize this condition, it is recommended that care be taken when assembling and handling the product in order to prevent the paint from being scratched.

### Product Information

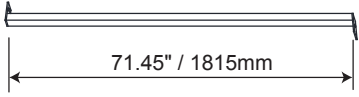
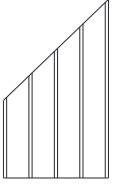

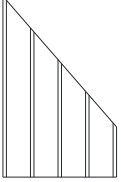

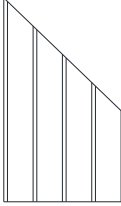

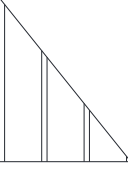
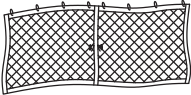
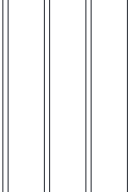




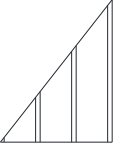
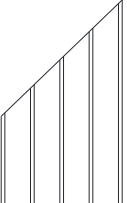
Product Dimensions: 151.57" x 199.61" x 113.78" (385cm x 507cm x 289cm)

Product Weight Capacity: Supports up to 220lbs(100kg)

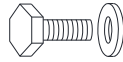
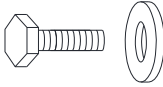
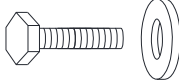





# Components

A	Upper Central Connector	1		H	Connector	6	
B	Lower Central Connector	1		I	Corner Connector	4	
C	Long Top Bar	4		J	Post	4	
C1	Top Bar	4		K	Top Connector	4	
D	Short Top Bar	6		L	Base	4	
E1	Left Lintel	4		N1	Roof Support -Left Top	4	 25.20" / 640mm
E2	Right Lintel	4		N2	Roof Support -Right Top	4	 25.20" / 640mm
E3	Short Lintel	2		O1	Roof Support -Left Middle	4	 49.41" / 1255mm
F	Connector	6		O2	Roof Support -Right Middle	4	 49.41" / 1255mm
G1	Left Support Bar	4		O3	Roof Support --Middle	6	 46.26" / 1175mm
G2	Right Support Bar	4		P1	Roof Support -Left Bottom	4	 71.45" / 1815mm

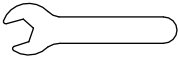

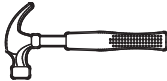




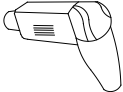
# Components

P2	Roof Support -Right Bottom	4		(3)	Roof Panel - Left	4	
Q	Top Panel Cover	4		(4)	Roof Panel -Right	4	
Q1	Top Panel Cover	4		(5)	Roof Panel -Right	4	
R	Lintel Cover	6		(6)	Roof Panel -Right	4	
S	Mosquito Net	4		(7)	Roof Panel -Middle	4	
T	Hook	1					
U	Edge Cover -Left	4					
U1	Edge Cover -Right	4					
U2	Edge Cover	2					
(1)	Roof Panel - Left	4					
(2)	Roof Panel - Left	4					

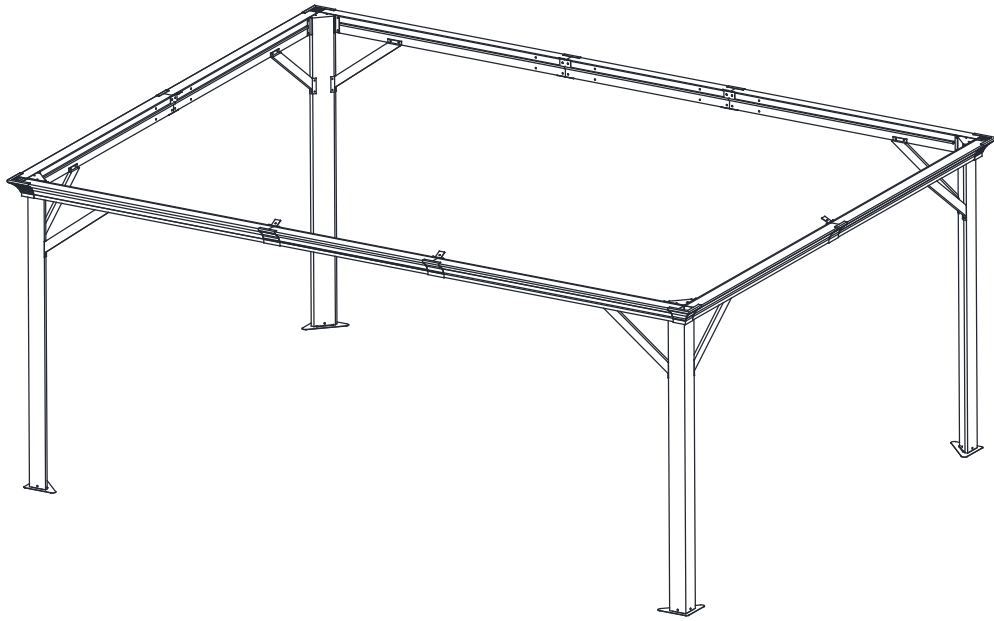
## Hardware




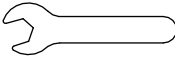

AA	Bolt\Flat Washer M6*15		262
BB	Bolt /Plastic Washer M6*25		24
CC	Bolt /Plastic Washer M6*35		8
DD	Bolt\Flat Washer\ Nut M6*55		8
FF	Bolt M6*15		16
GG	Spacer		24
HH	Hanger		56
II	Stake		12

## Tools

Wrench (Included) Part No:EE Qty: 2	Allen Wrench (Included) Part No:JJ Qty: 1	Hammer(Not Included)
		
Safety goggles (Not Included)	Gloves (Not Included)	Hardhat (Not Included)
		
Stepladder (Not Included)	Electric drill (Not Included)	
		

# Step 1



<p><b>(AA)</b> Bolt\Flat Washer (M6*15) Qty: 138</p> 	<p><b>(FF)</b> Bolt (M6X15) Qty: 16</p> 	<p><b>(HH)</b> Hanger Qty: 56</p> 
<p><b>(EE)</b> Wrench Qty: 1</p> 	<p><b>(KK)</b> Allen Wrench Qty: 1</p> 	

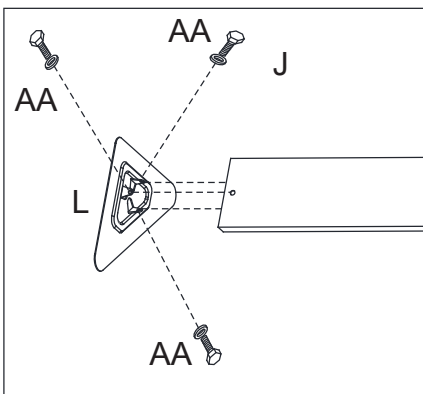
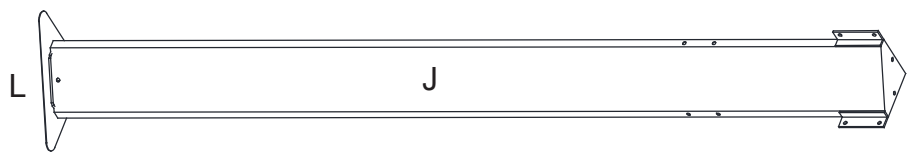


Fig 1



1-a. Connect the Base (L) and the Post (J) with Bolt\Flat Washer M6\*15(AA). see Fig.1

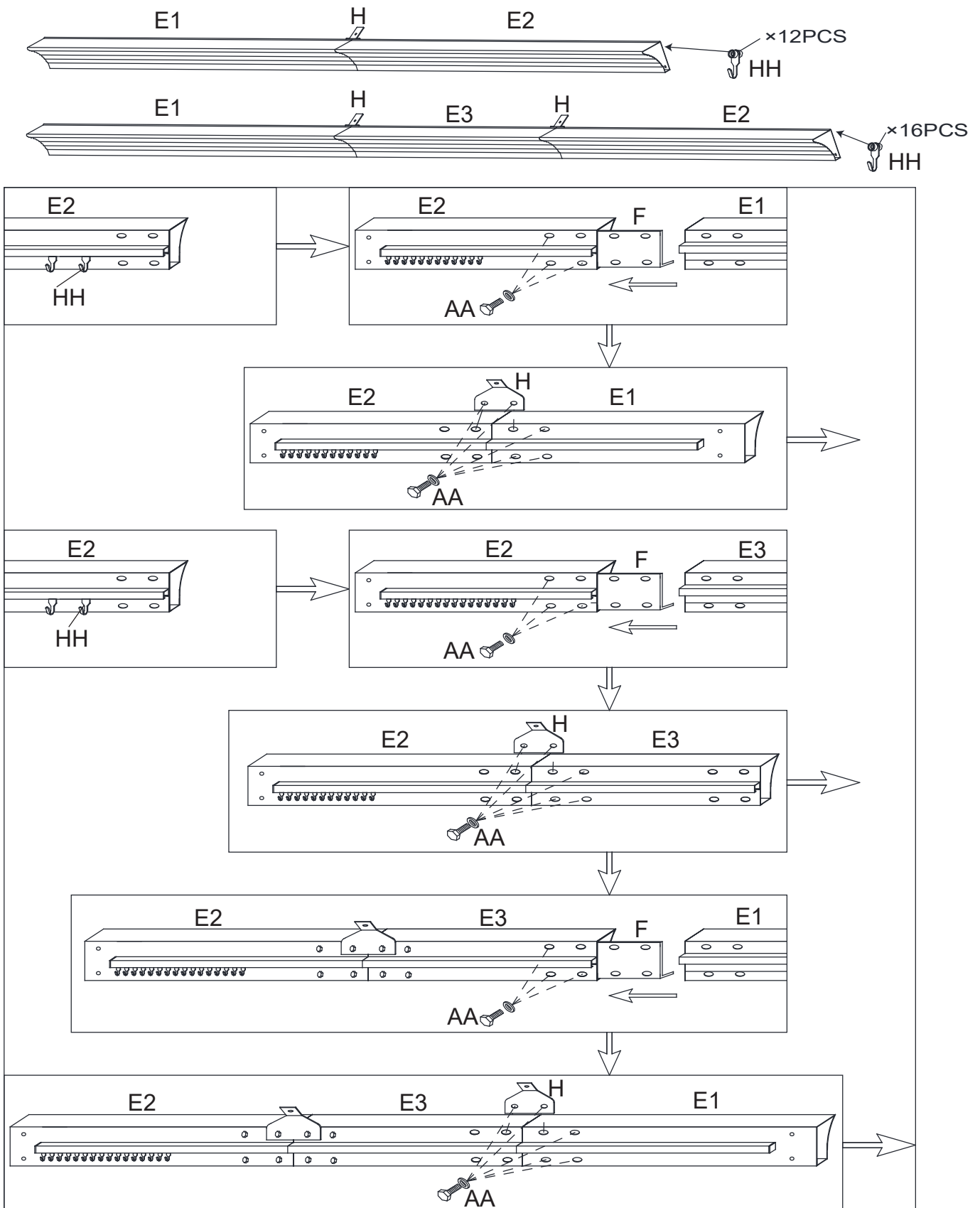


Fig 2

1-b. Insert the Hanger (HH) into the track of Right Lintel (E2). Insert the Connector (F) into Left Lintel (E1)/Right Lintel (E2), at the same time connect it to Left Lintel (E1)/Right Lintel (E2) by the Connector (H) with Bolt/Flat Washer(AA). Insert the Hanger (HH) into the track of Right Lintel (E2). Insert the Connector (F) into Left Lintel (E1)/Short Lintel (E3), at the same time connect it to Left Lintel (E1)/Short Lintel (E3) by the Connector (H) with Bolt/Flat Washer(AA). Insert the Connector (F) into Right Lintel (E2)/Short Lintel (E3), at the same time connect it to Right Lintel (E2)/Short Lintel (E3) by the Connector (H) with Bolt/Flat Washer(AA). See Fig.2.

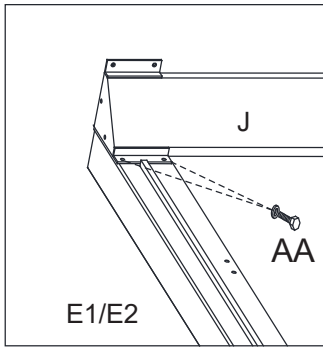


Fig 3

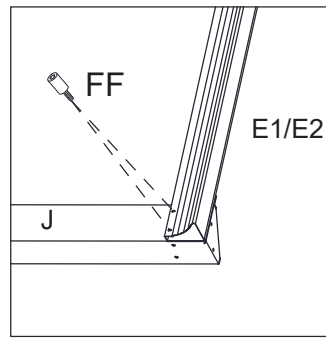


Fig 4

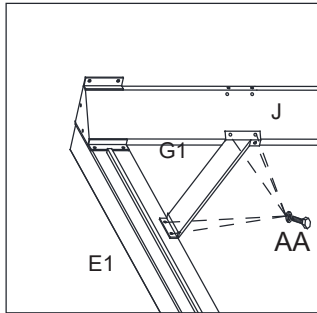
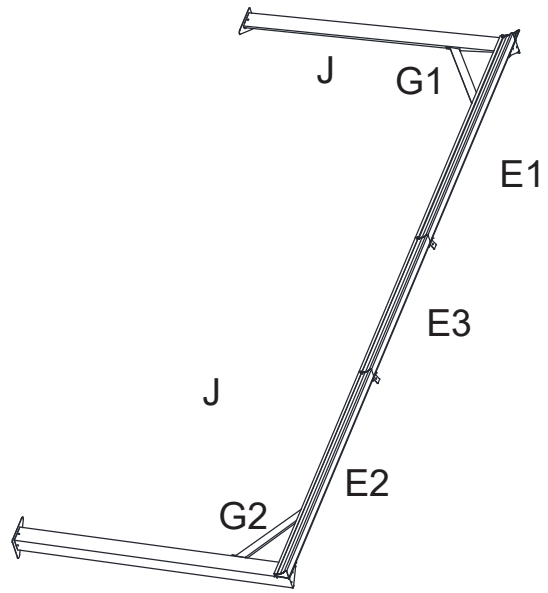


Fig 5



1-c. Attach the Lintel (E2/E1) to Post (J) with Bolt\Flat Washer M6\*15(AA). See Fig.3.

Attach the Lintel (E2/E1) to Post (J) with Bolt M6\*15(FF) .See Fig.4.

Attach the Support Bar (G1/G2) to Lintel (E1/E2) and Post (J) with Bolt\Flat Washer M6\*15 (AA).See Fig.5.

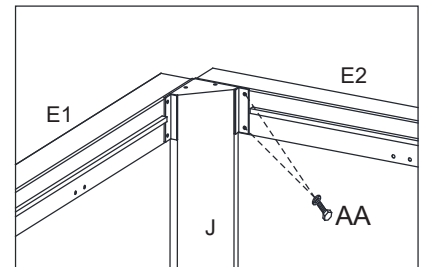
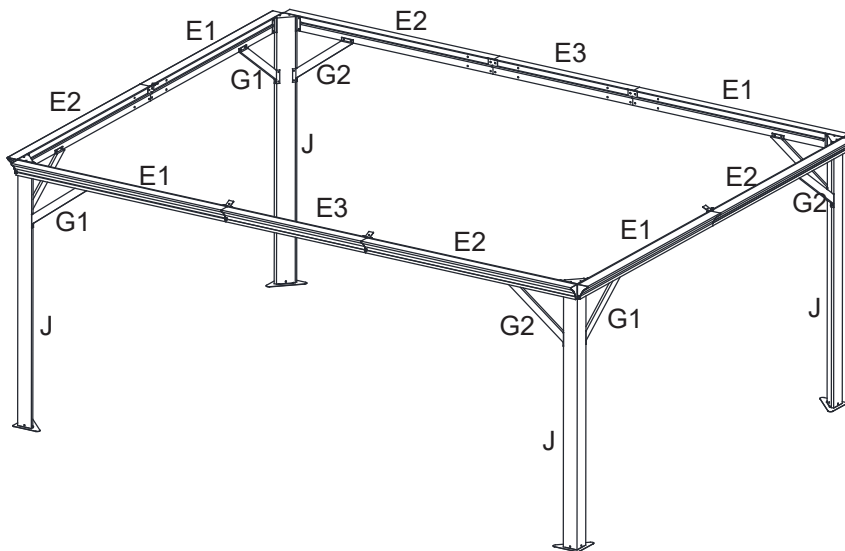


Fig 6

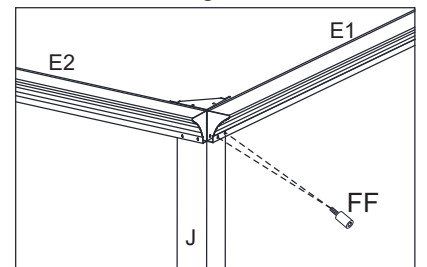


Fig 7

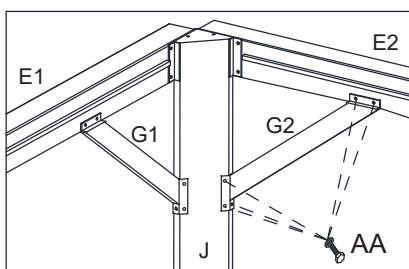


Fig 8

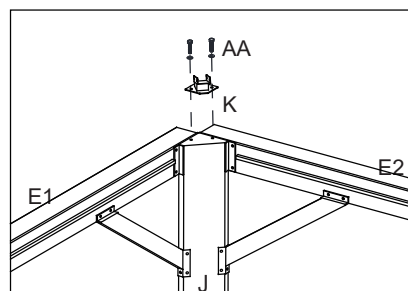
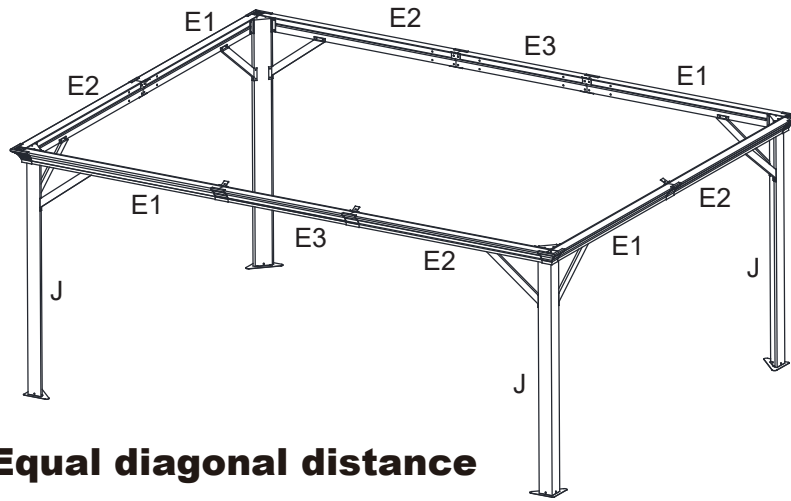


Fig 9

1-d. Attach the Right Lintel (E2) and Left Lintel(E1) to Post (J) with Bolt\Flat Washer M6\*15(AA). Attach the Right Lintel (E2) and Left Lintel (E1) to Post (J) with Bolt M6\*15 (FF). See Fig.6-7.  
 1-e. Attach the Left Support Bar (G1) to Left Lintel (E1) and Post (J) with Bolt\Flat Washer M6\*15(AA); attach the Right Support Bar (G2) to Right Lintel (E2) and Post(J)with Bolt\Flat WasherM6\*15(AA). Attach the top Connector (K) to Post (J) with Bolt\Flat Washer M6\*15(AA) .See Fig.8-9.



**Equal diagonal distance**

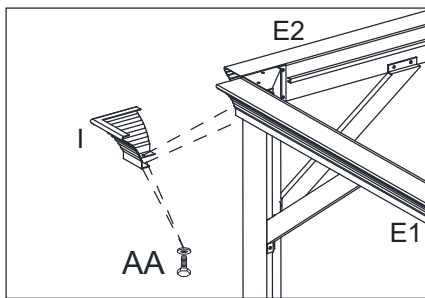


Fig 10

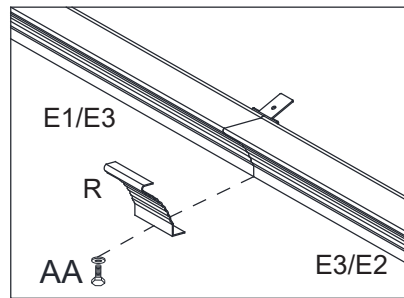
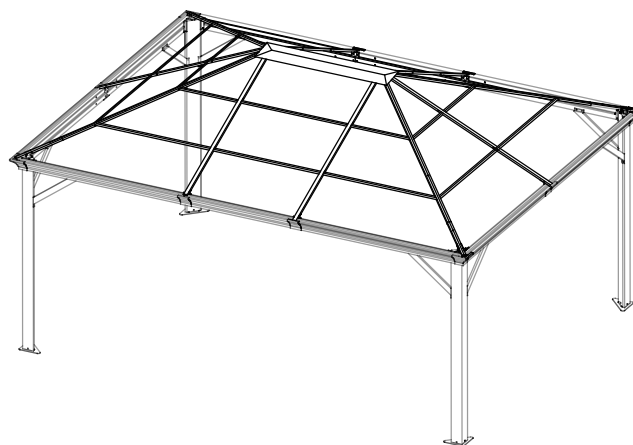


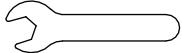


Fig 11

1-f . Attach the Corner Connector (I) to the Right Lintel (E2) and Left Lintel (E1) with Bolt\ Flat Washer M6\*15(AA).Attach the Corner Connector (R) to the Left Lintel (E1) and Lintel (E3) with Bolt\Flat Washer M6\*15(AA).Attach the Corner Connector (R) to the Lintel (E3) and Right Lintel (E2) with Bolt\Flat Washer M6\*15(AA).See Fig.10-11.

## Step 2



<p><b>(AA)</b> Bolt\Flat Washer (M6*15)</p> <p>Qty: 96</p> 	<p><b>(DD)</b> Bolt\Flat Washer\Nut (M6X55)</p> <p>Qty: 8</p> 	<p><b>(EE)</b> Wrench</p> <p>Qty: 2</p> 
--	--	---

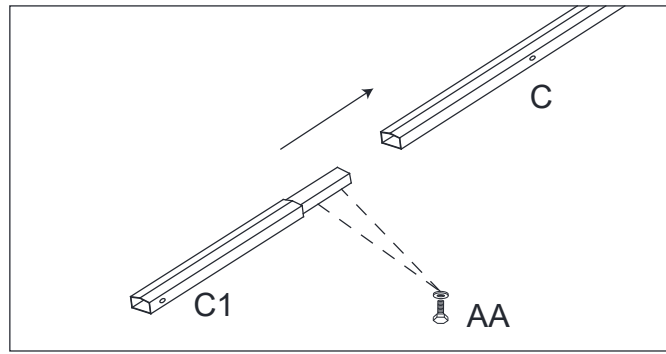


Fig.12

2-a. Insert the Top Bar (C1) into Long Top Bar (C) and connect with Bolt\Flat Washer M6\*15(AA)  
See Fig.12

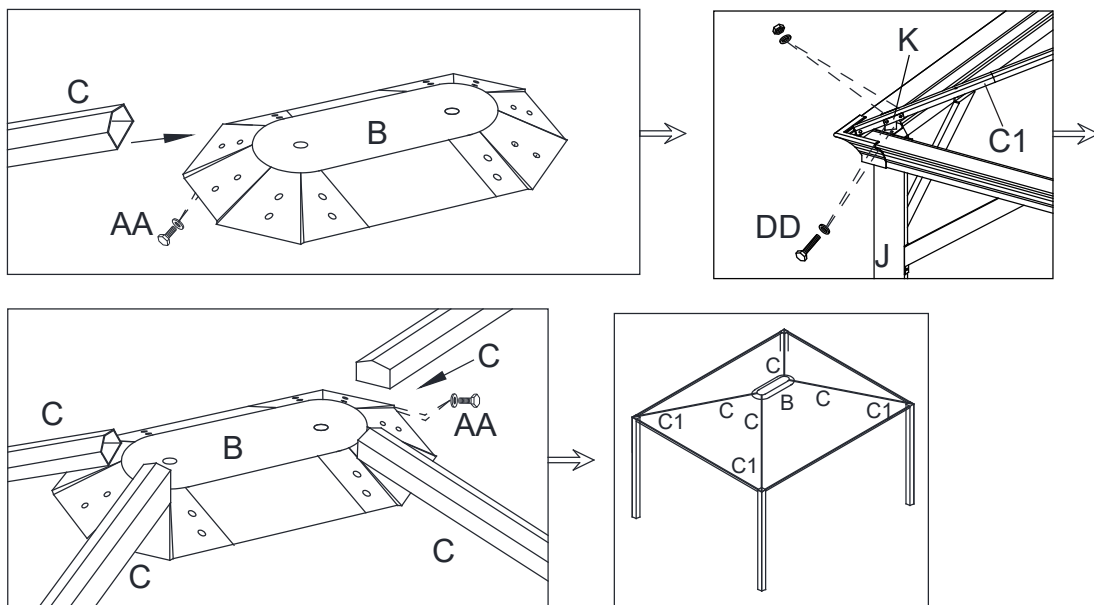
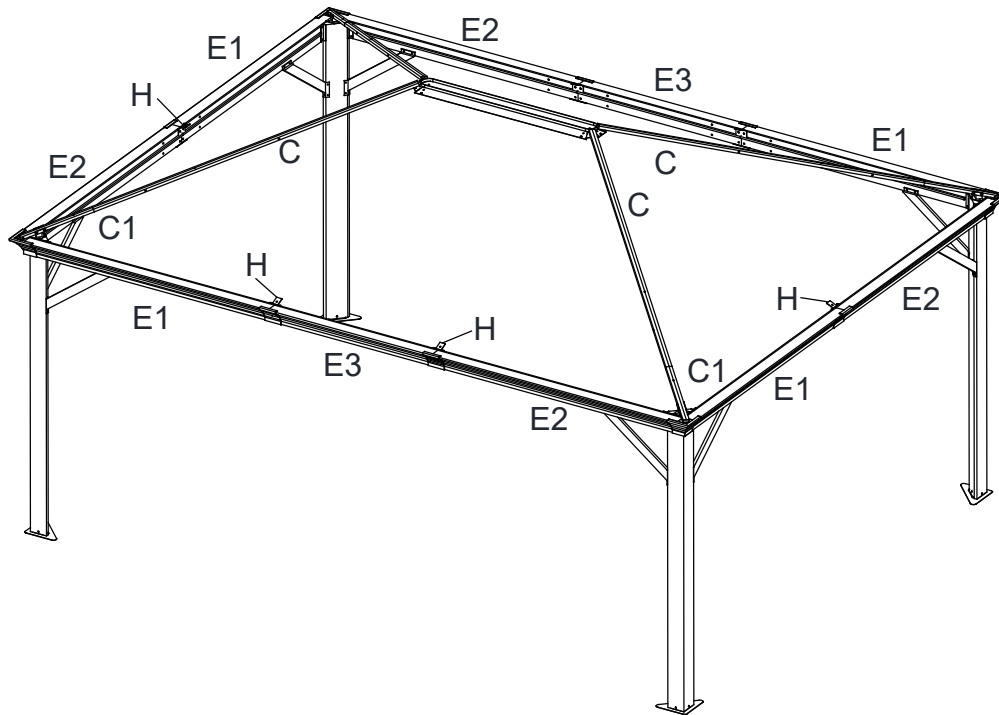


Fig.13

2-b. Attach Long Top Bar (C) to Lower Central Connector (B) with Bolt\Flat Washer M6\*15(AA), attach Top Bar (C1) to Top Connector (K) with Bolt\Flat Washer\Nut (DD), using the same method to attach others. See Fig.13.

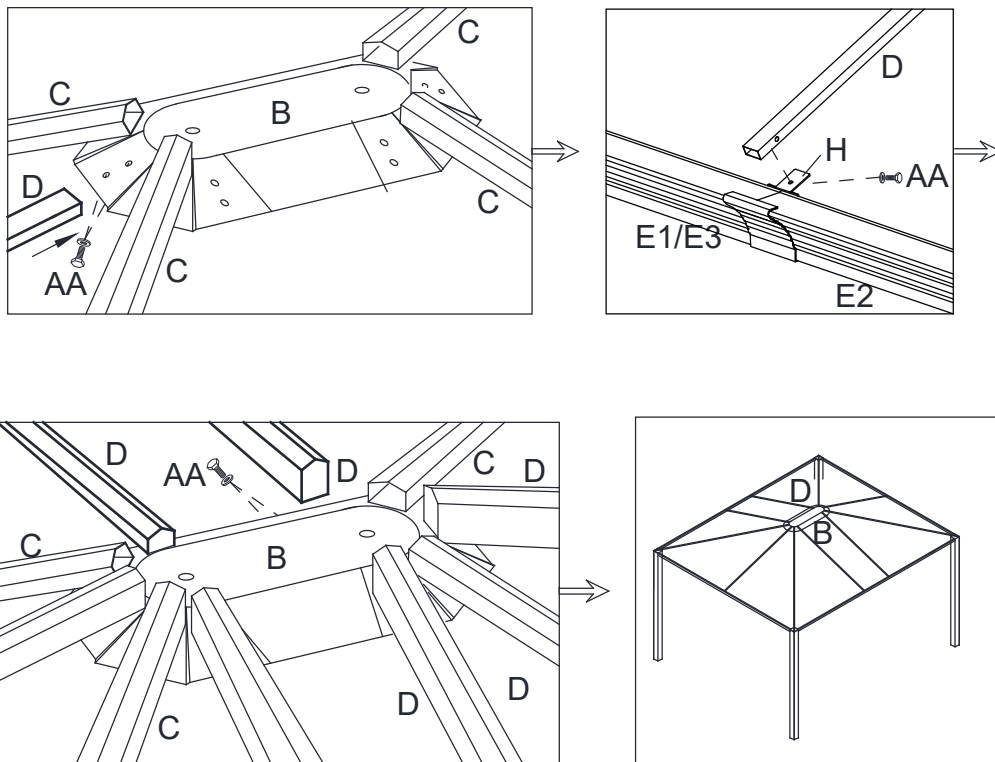
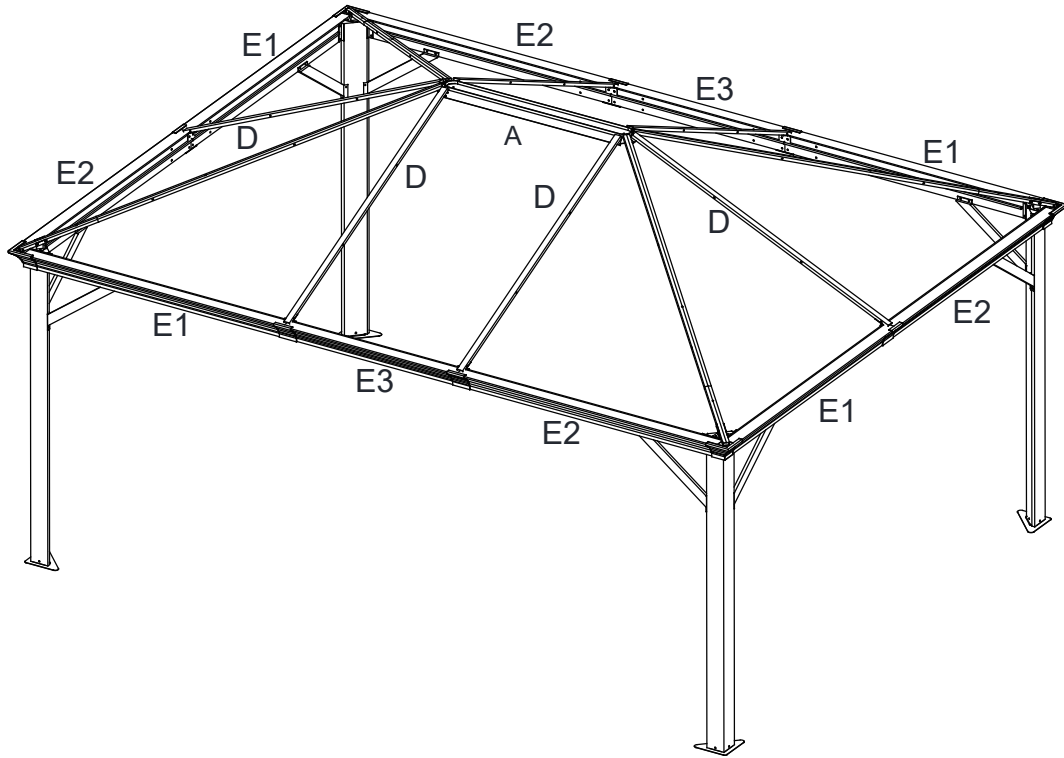


Fig.14

2-c. Attach Short Top Bar (D) to Lower Central Connector (B) with Bolt\Flat Washer M6\*15(AA), attach Short Top Bar (D) to Connector (H) with Bolt\Flat Washer M6\*15(AA), using the same method to attach others. See Fig.14

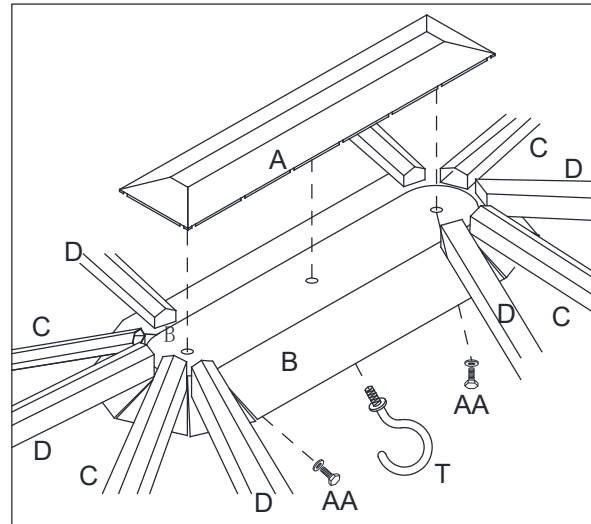
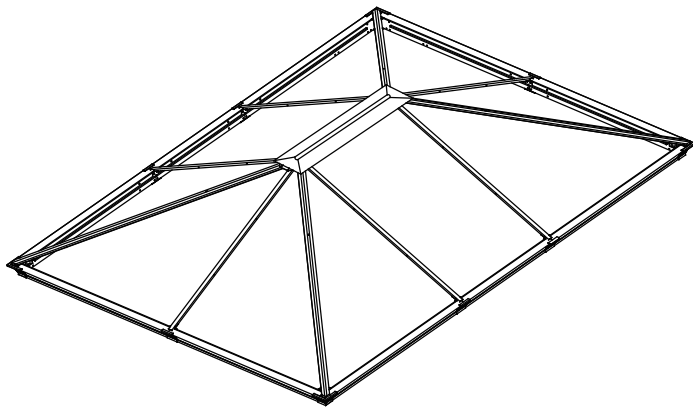


Fig.15

2-d. Attach Upper Central Connector (A) to Lower Central Connector (B) with Bolt/Flat Washer M6\*15 (AA).at the same time screw the Hook (T) to the Upper Central Connector (A) and twist to tighten .See Fig.15.

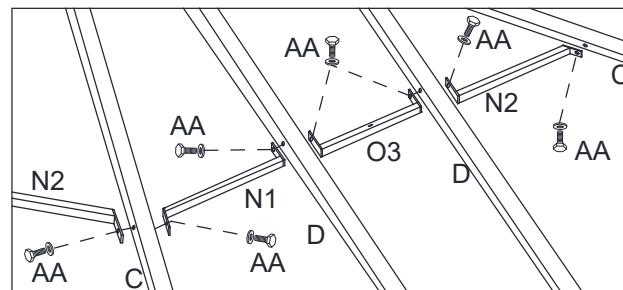
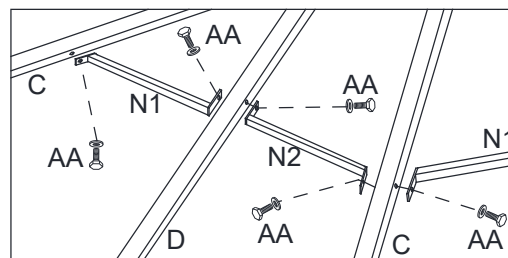
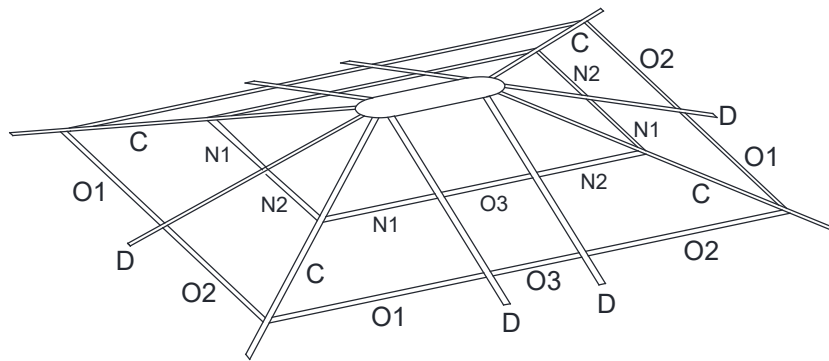


Fig.16

2-e. Attach the Roof Supports-Left Top (N1) /Roof Supports-Right Top (N2) / Roof Supports- Left Middle (O1) / Roof Supports-Right Middle (O2) to the Long Top Bar (C) with Bolt/Flat Washer M6\*15(AA) . Attach the Roof Supports-Left Top (N1) /Roof Supports-Right Top (N2) / Roof Supports- Left Middle (O1) / Roof Supports-Right Middle (O2) /Roof Supports- Middleto the Shrot Top Bar (D) with Bolt/Flat Washer M6\*15(AA).See Fig.16.

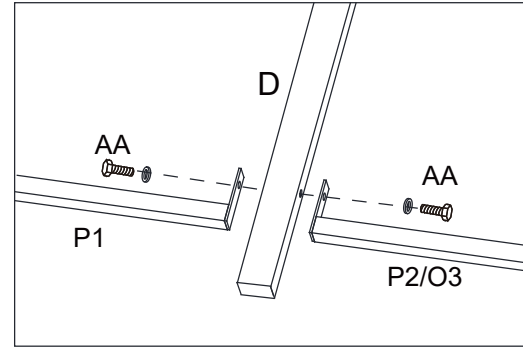
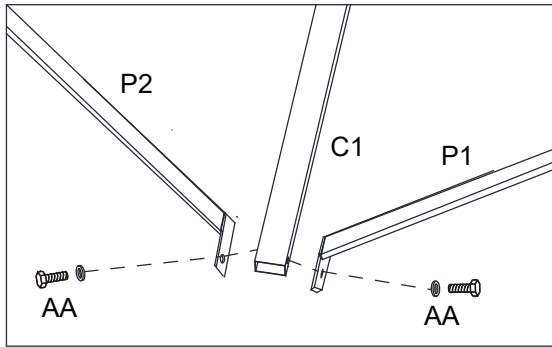
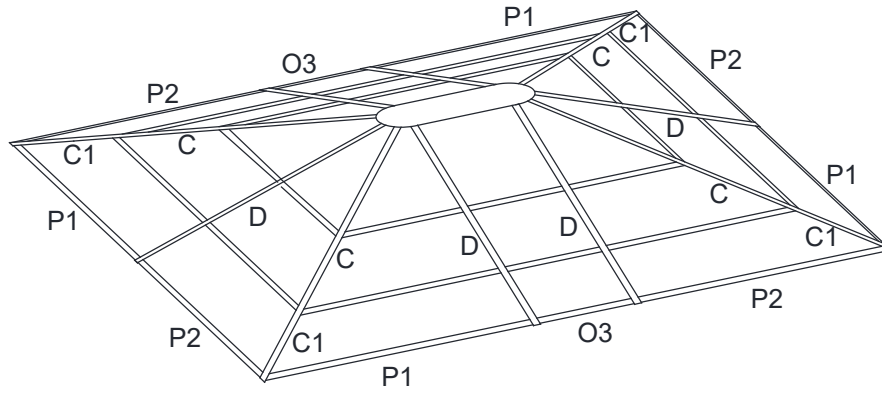
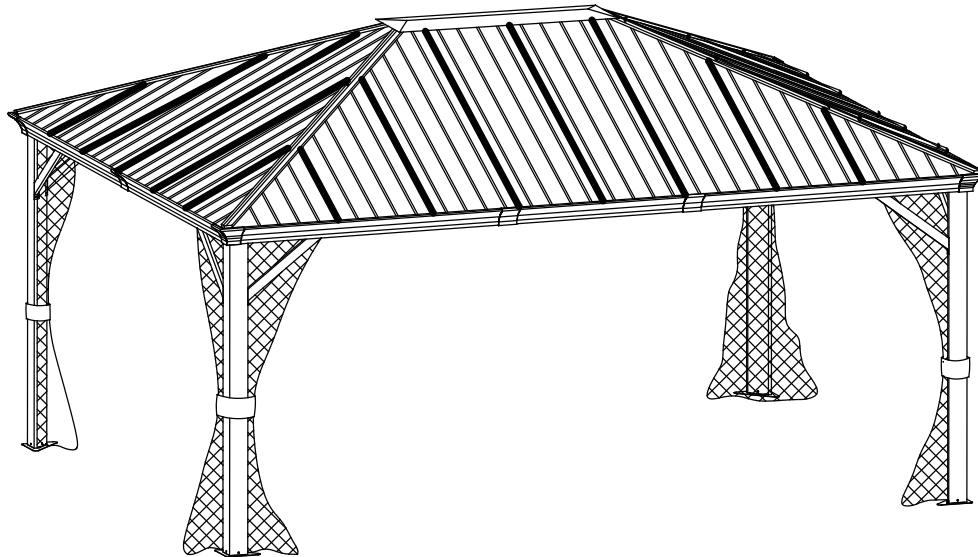


Fig.17

2-f. Attach Roof Panel-Left Bottom (P1) to Top Bar (C1)/Short Top Bar (D) with Bolt\Flat Washer M6\*15(AA). Attach Roof Panel-Right Bottom (P2) to Top Bar (C1)/Short Top Bar (D) with Bolt\Flat Washer M6\*15 (AA). Attach Roof Panel-Middle (O3) to Short Top Bar (D) with Bolt\Flat Washer M6\*15 (AA). See Fig.17.

### Step 3



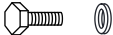



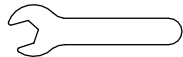
<p><b>(AA)</b> Bolt\Flat Washer(M6X15) Qty: 28</p> 	<p><b>(BB)</b> Bolt \Plastic Washer (M6X25) Qty: 24</p> 	<p><b>(CC)</b> Bolt \Plastic Washer (M6X35) Qty: 8</p> 
<p><b>(GG)</b> Spacer Qty: 24</p> 	<p><b>(EE)</b> Wrench Qty: 1</p> 	

Illustration 1

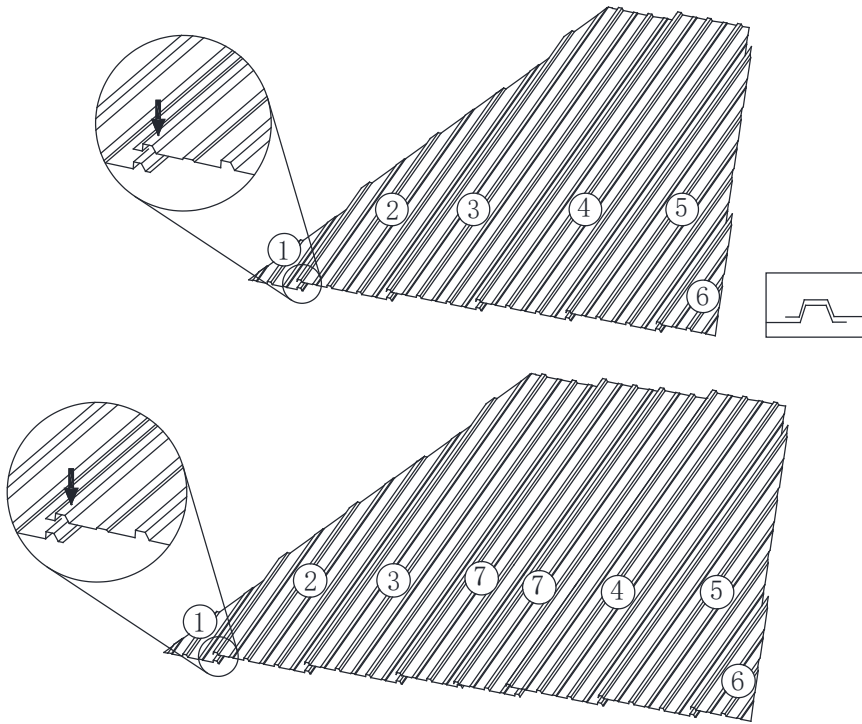
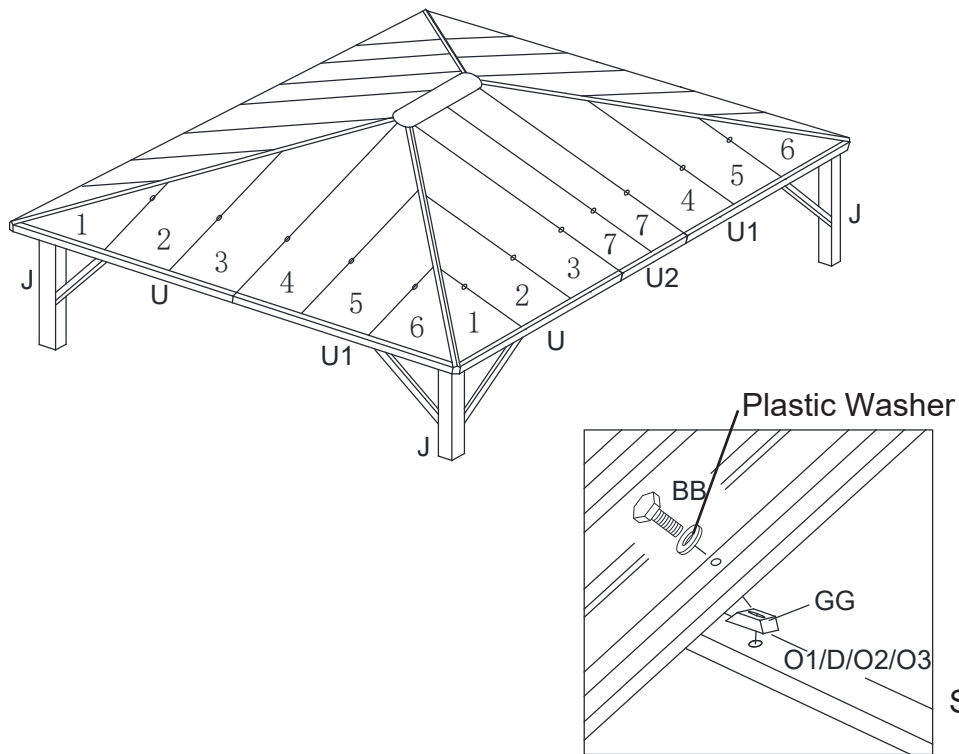


Illustration 2



**IMPORTANT:**

- Make sure each screw installed on this step is attached to a spacer (GG).
- Wait at the end of the installation of the roof panels before tightening all screws. If you do not wait and tighten from the beginning, you will not be able to correctly install all the roof panels.

3-a. Install the roof panel starting from left to right.

Attach all the roof panels show as Fig. to (O1/D/O2/O3) with a Bolt /Plastic Washer M6\*25(BB) and Spacer (GG). Repeat on each side. See Fig.18

Tighten all bolts (BB).

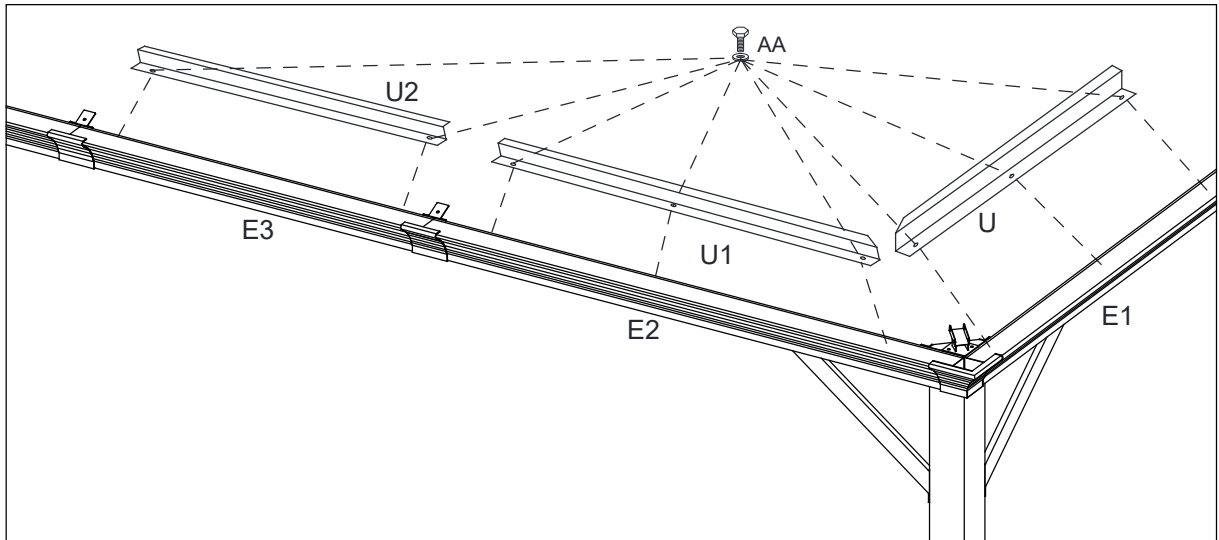


Fig.19

3-b. Connect Edge Cover-Left(U)/ Edge Cover- Right (U1) to Lintel (E1/E2) with Bolt/Flat Washer M6\*15(AA), Connect Edge Cover-Middle to Short Lintel (E3) with Bolt/Flat Washer M6\*15(AA). See Fig.19.

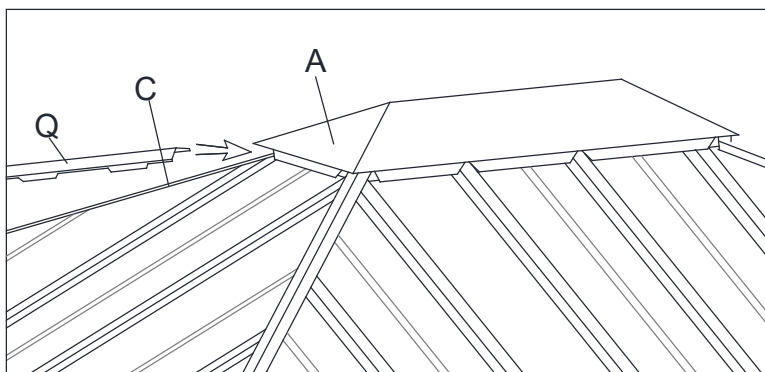
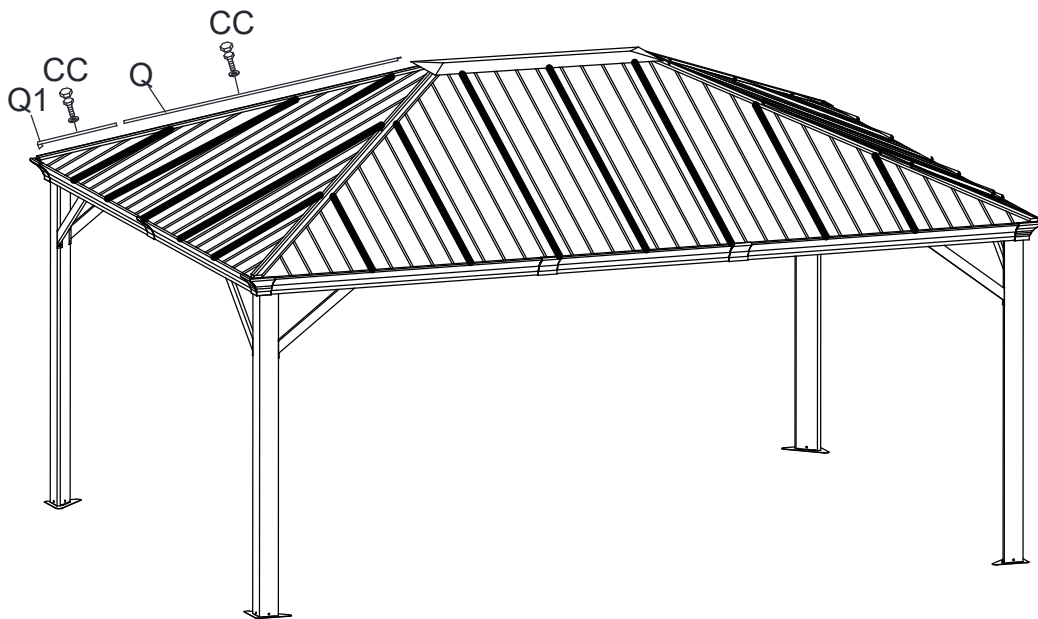


Fig.20

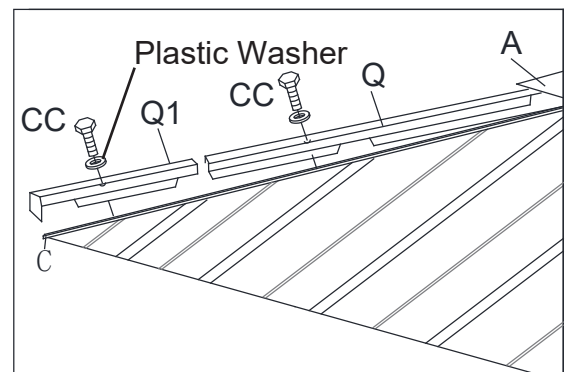


Fig.21

3-c. Place Top Panel Cover (Q)/(Q1) on the top of Top Bar (C)/(C1) and then insert Top Panel Cover (Q) into the gap between Upper Central Connector (A) and Long Top Bar (C). Then attach Top Panel Cover (Q)/(Q1) to Top Bar (C)/(C1) with Bolt /Plastic Washer M6\*35(CC). See Fig.20-21

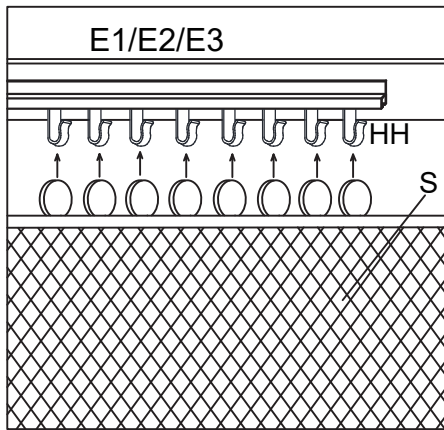
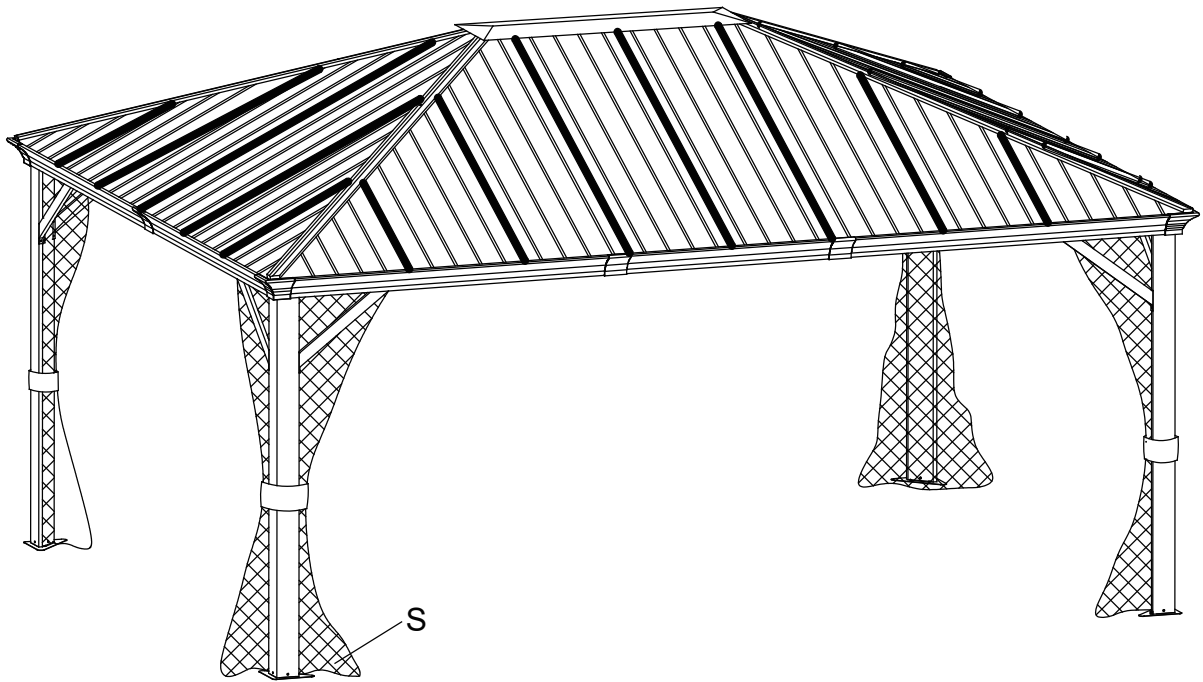


Fig.22

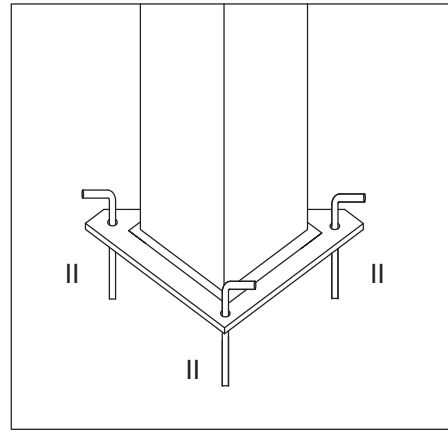


Fig.23

3-d. Hang Mosquito Net (S) on the Hanger (HH). See Fig.22.

3-e. Adjust position of gazebo and anchor posts to the ground by inserting Stakes (II) into each hole in each Base Plate. See Fig.23.

**Your gazebo is now completely assembled.**

---

## **WARNING**

**KEEP ALL FLAME AND HEAT SOURCES AWAY FROM THIS TENT FABRIC.**

This tent meets the flammability requirements of CPAI-84. *The fabric may burn if left in continuous contact with any flame source. The application of any foreign substance to the tent fabric may render the flame-resistant properties ineffective.*

## **Danger**

- DO NOT use or enter the gazebo under harsh weather (e.g. thunderstorms, high winds, hail, heavy snow etc.). In these conditions, it might tip over and could cause serious injury to bystanders. Any damage or injury caused by these conditions is not covered by the warranty.
- DO NOT install the gazebo adjacent to trees or a sloped roof. Snow and ice may slide onto the gazebo and cause it to collapse.
- DO NOT use or enter the gazebo if there exist any of the following or of similar conditions:
  1. visible movement of support members, roofing panels or sagging roofline.
  2. cracks, fractures or malformation of support member or roof panels.
  3. damaged or missing fasteners.
- DO NOT hang any weights on the roof frame.
- DO NOT use ladder leaning against the gazebo or climbing onto the roof.
- Keep away from heat or flame source.
- If the gazebo will not be used for a long period of time (e.g. during winter time), disassemble and store it in a clean, dry location.

## **Care&Use Instructions**

- Our steel components for gazebo and garden accessories are treated with rust inhibiting paint that protects it from rusting. However, due to the nature of steel, surface oxidation (rusting) will occur if these protective coatings are scratched.

This is not a defect and thus not covered by the warranty.

To minimize this condition, we recommend care when assembling & handling the product to prevent scratching the paint. Should any scratching or damage occur, we recommend immediate touch-up with rust inhibiting paint.

Surface rust can also be easily removed with a very light application of regular cooking oil. If surface oxidation (rusting) occurs and if no preventive measure is taken, the oxidation may start dripping onto deck or patio and caused damaging stains, which may be difficult to remove.

This damage can be prevented if the above-mentioned measures are taken to keep the gazebo's frame from oxidizing.

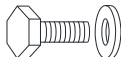
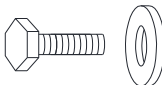
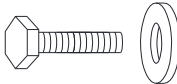




- Do not use bleach, acid, or other abrasive cleaners on the roof or frame parts.
- Keep instruction manual for future reference.
- Keep the original packaging to store the gazebo.

## Warranty Information

This product component has a 1 year guarantee against defects in material and/or workmanship. If you have any questions regarding the warranty or spare / replacement parts, please call our toll-free number 1-800-847-7508 or email us at [servicet@taipengchina.com](mailto:servicet@taipengchina.com)

NOTE: Please consider recycling all applicable packaging material.

## Spare Parts

AA	Bolt\Flat Washer M6*15		15
BB	Bolt Plastic Washer M6*25		5
CC	Bolt Plastic Washer M6*35		2
DD	Bolt\Flat Washer\Nut M6*55		2
FF	Bolt M6*15		2
GG	Spacer		3
HH	Hanger		5

**Distributed by Sam's West Inc.  
2101 SE Simple Savings Dr.  
Bentonville, Arkansas 72716-0745**

---

MADE IN CHINA



Need Assistance? Visit us at: [samsclub.com/membersmarkhelp](https://samsclub.com/membersmarkhelp)