



**Member's Mark™**

## **Assembly Instructions & User's Manual**

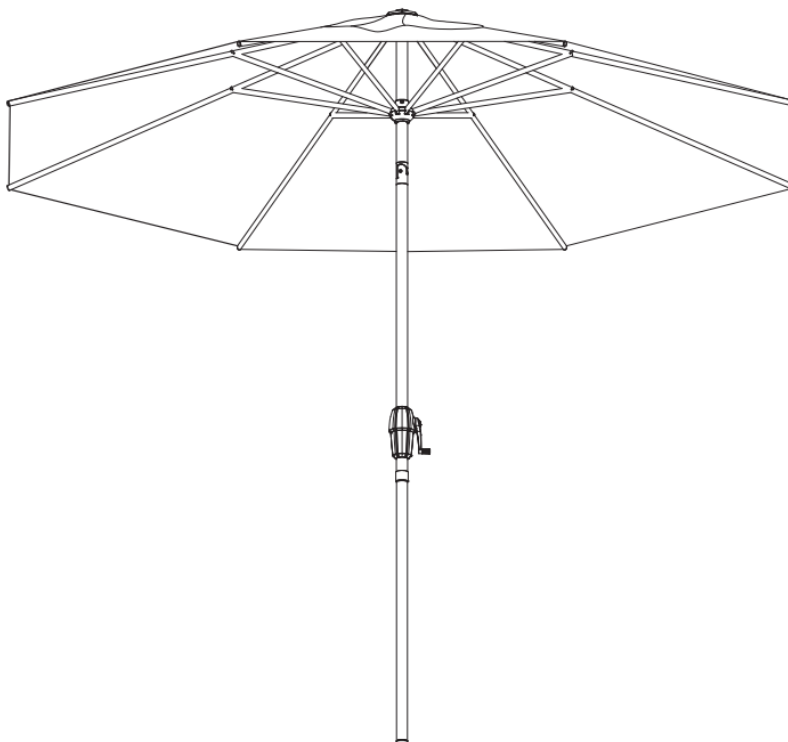
for

### ***Member's Mark Aluminium 10 Foot Auto-tilt Market Umbrella***

***Model Number: YJAUC-165A***


**Customer Assistance (spare/replacement parts): 1-888-690-9800**

**or Email: [cs@sunvillahome.com](mailto:cs@sunvillahome.com)**



THIS ASSEMBLY MANUAL CONTAINS IMPORTANT SAFETY INFORMATION.  
PLEASE READ AND KEEP FOR FUTURE REFERENCE.

# Table of Contents

|  |   |
|--|---|
| Quality Statement.....   | 3 |
| Important Safety Information .....   | 3 |
| Before Assembly.....   | 3 |
| Care & Use .....   | 3 |
| Package Contents.....  | 4 |
| Product Information .....  | 4 |
| Components .....   | 4 |
| Step 1 – Step 7 .....  | 5 |
|  Warning..... | 7 |
| Storage Instructions.....  | 7 |
| Technical Data .....   | 7 |
| Warranty Information .....   | 8 |

# Quality Statement

## Questions or Comments?

We would love to hear about your Member's Mark experience! Visit us at: [samsclub.com/membersmarkhelp](https://samsclub.com/membersmarkhelp)

## Important Safety Information

- *Please read all instructions carefully before assembling this product.*
- *Where applicable, and for your safety, assembly by an adult is strongly recommended.*
- *Use only vendor-supplied hardware to assemble this item. Using unauthorized hardware could jeopardize the structural integrity of the item.*
- *Hardware may loosen overtime. Periodically check that all connections are tight.*

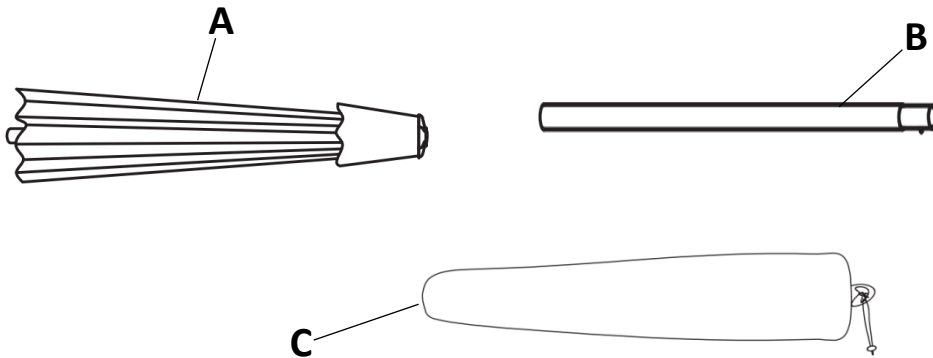
## Before Assembly

- *Remove all parts and hardware from the box. Place all items on a carpeted or scratch-free work surface, as this will avoid damaging parts during assembly.*
- *The shipping box can provide an ideal work surface if none is available.*
- *Use the components and hardware lists below to identify, inventory and separate each of the hardware and components included.*
- *To avoid accidentally discarding small components or hardware, do not dispose of any packaging or contents of the shipping carton until assembly is complete.*
- **DO NOT USE** *power tools unless it is explicitly identified in this manual as required for use during assembly. Power tools can damage the fasteners, hardware and/or components.*
- *Do not fully tighten all fasteners / screws until all parts are in place. Failure to follow these instructions may cause the fasteners / screws to misalign during assembly.*

## Care & Use

- *Use a soft, clean cloth that will not scratch the surface when cleaning.*
- *Dust often and use a vacuum cleaner crevice tool to clean between seams.*
- *Keep furniture at least 60cm/2ft from heat sources to avoid damage.*

# Package Contents






| Component | Description    | Quantity | Component | Description | Quantity |
|-----------|----------------|----------|-----------|-------------|----------|
| A         | Sunshade Frame | 1        | C         | Storage Bag | 1        |
| B         | Bottom Pole    | 1        |           |             |          |

# Product Information

Dimensions: 116" x 116" x 100.8" (296cm x 296cm x 256cm)

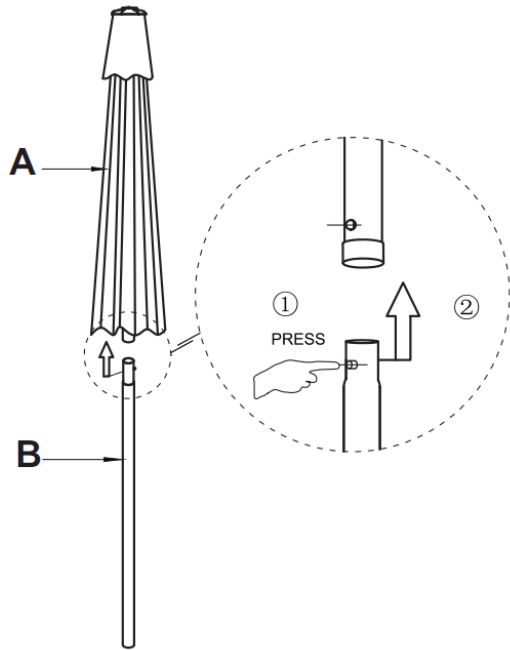
# Components

| A<br>Sunshade Frame<br>Qty 1  | B<br>Bottom Pole<br>Qty 1   | C<br>Storage Bag<br>Qty 1  |
|---|---|--|
|  |  |  |

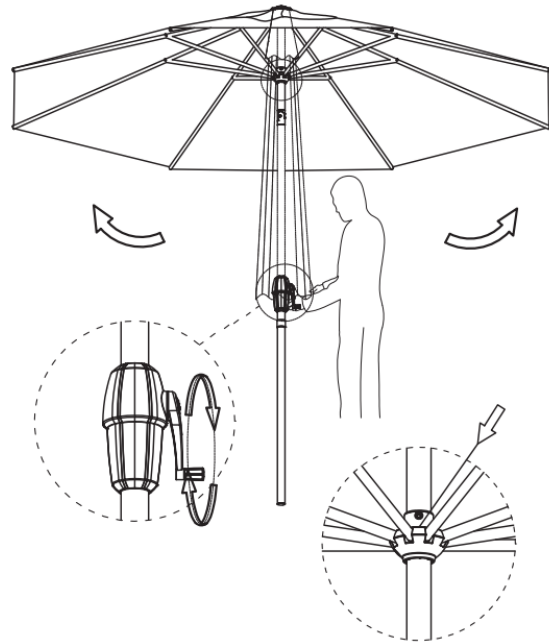
Need Assistance? Visit us at: [samsclub.com/membersmarkhelp](https://www.samsclub.com/membersmarkhelp)

# Step 1 – Step 7

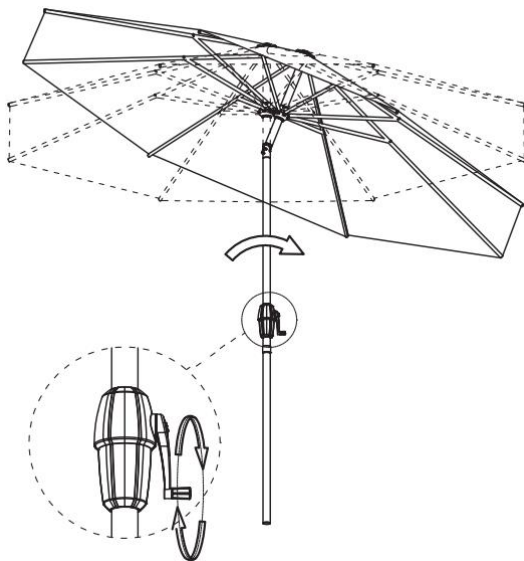
**Step 1**  
Connect the lower pole into the upper pole by using the push button.



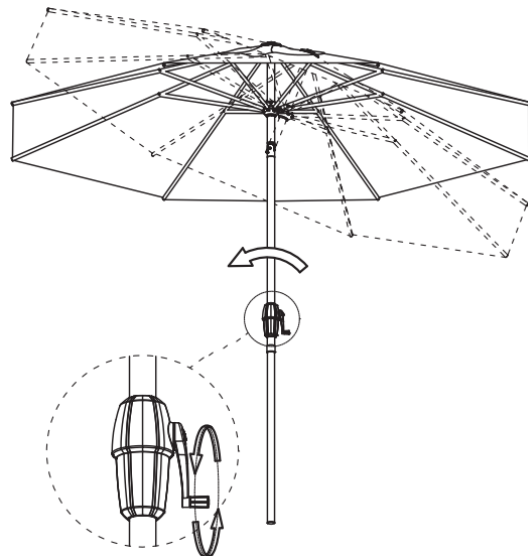
**Step 2**  
To open the umbrella, turn the crank handle in a clockwise direction until open.



**Step 3**  
Slowly continue cranking in a clockwise direction for your desired tilt. Do not continue to crank in a clockwise direction once the umbrella stops tilting.



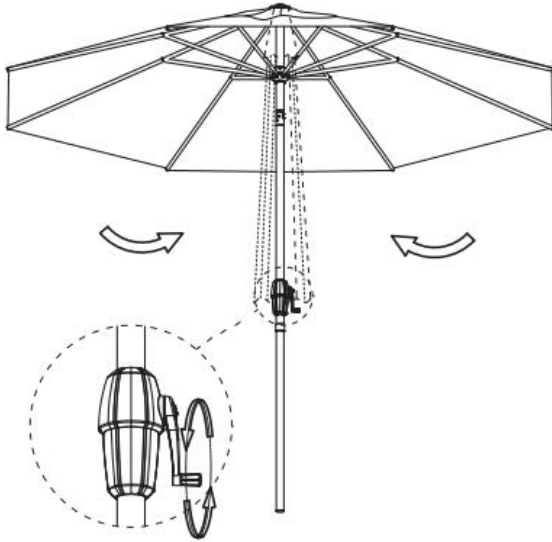
**Step 4**  
Turn the crank counterclockwise to return the umbrella to a straight up position.



*Need Assistance? Visit us at: [samsclub.com/membersmarkhelp](http://samsclub.com/membersmarkhelp)*

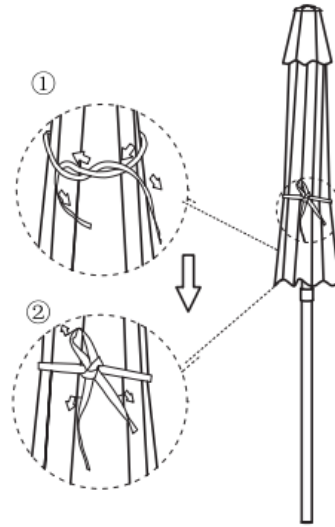
**Step 5**

Continue cranking in a counterclockwise direction to close the umbrella.



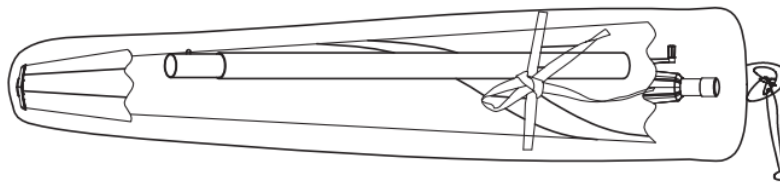
**Step 6**

Once the umbrella is closed, be sure to secure it by using the tie straps.



**Step 7**

For long term storage, insert the umbrella into the storage bag, and place in a cool and dry location.



## **Warning**

We recommend that you always close your umbrella in windy conditions as well as when not in use to avoid damage to your umbrella frame. Always secure umbrella in at least a 265lbs./120kg umbrella base. Wind damage is not covered under any Umbrella Warranty.

## **Storage Instructions**

- |   |
|---|
| 1. Carefully place all components into shipping box and/or provided container tape it shut. |
| 2. When not in use, please store your item in a cool, dry place away from sunlight.         |
| 3. Exposing your item to excessive heat or humidity may damage your item.                   |

## **Technical Data**

Aluminum: 6063  
Sunbrella Fabric: Acrylic

*Need Assistance? Visit us at: [samsclub.com/membersmarkhelp](https://www.samsclub.com/membersmarkhelp)*

# Warranty Information

This product component has a 3 years guarantee against defects in material and/or workmanship. If you have any questions regarding the warranty or spare / replacement parts, please call our toll-free number 1-888-690-9800 or email us at [cs@sunvillahome.com](mailto:cs@sunvillahome.com)

**NOTE:** Please consider recycling all applicable packaging material.

**Distributed by Sam's West Inc.**  
2101 SE Simple Savings Dr.  
Bentonville, Arkansas 72716-0745

Made in China



*Need Assistance? Visit us at: [samsclub.com/membersmarkhelp](https://samsclub.com/membersmarkhelp)*