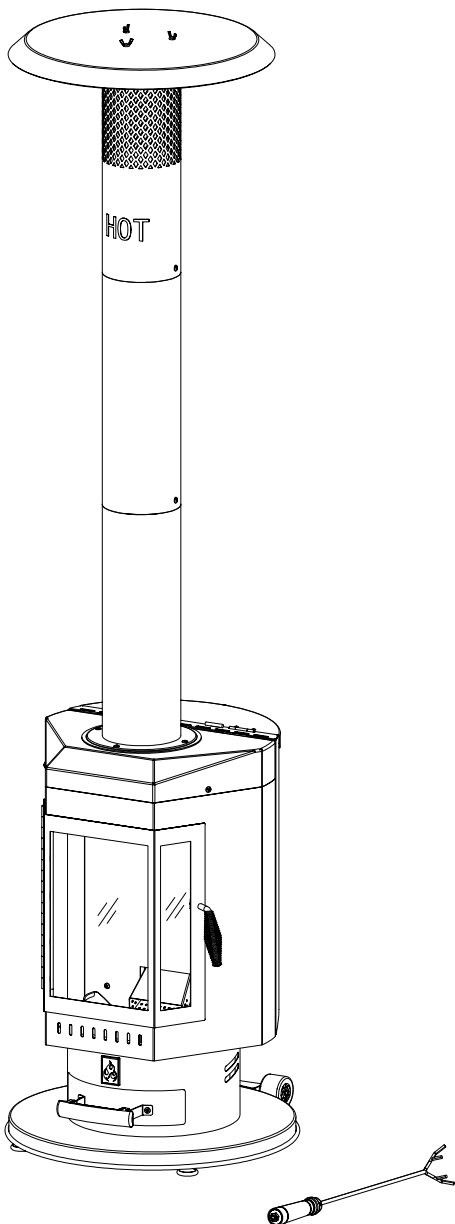


# BOND

## Platinum Patio Pellet Heater

Item # 52661



### **WARNING**

Do not store or use gasoline or other flammable vapors and liquids in the vicinity of this or any other firepit.

### **WARNING**

For outdoor use only.

### **WARNING**

Improper installation, adjustment, alteration, service or maintenance can cause injury or property damage. Read the owner's manual thoroughly before installing or servicing this equipment. If the information in this manual is not followed exactly, a fire or explosion may result causing property damage, or personal injury.

**INSTALLER:** Leave this manual with the appliance.

**CONSUMER:** retain this manual for future reference.

### **DANGER**



### **CARBON MONOXIDE HAZARD**

This appliance can produce carbon monoxide which has no odor. Using it in an enclosed space can kill you. Never use this appliance in an enclosed space such as a camper, tent, car or home.

If you have any questions or concerns, please contact manufacturer at the below resources:  
Toll free phone: 1-877-447-4768 | Monday - Friday, 8:00 am - 4: 30 pm CST  
Email: [customerservice@ghpgroupinc.com](mailto:customerservice@ghpgroupinc.com) | Website: [www.ghpgroupinc.com](http://www.ghpgroupinc.com)

## Owner's Manual

# SAFETY INFORMATION

Before you assemble or operate this unit, please carefully read this entire guide. Failure to do so may result in a fire, explosion, injury or death.

- **FOR OUTDOOR USE ONLY!** This pellet heater shall be used only outdoors in a well-ventilated space and shall not be used in a building, garage, or any other enclosed area.
- DO NOT attempt to touch the heater while in use or hot. Handles may be hot due to flames.
- DO NOT add gasoline, kerosene, diesel fuel, lighter fluid or alcohol to relight or enhance flame
- Excessive heat may damage the integrity of the structure. The ONLY method of relighting used should be a match or lighter. Do not use any flammable fuels to reignite.
- Never use charcoal or any other solid fuel in the pellet heater.
- DO NOT use the unit indoors due to hazard of carbon monoxide fumes. Lack of ventilation can cause death.
- This pellet heater was designed for burning wood pellets (heating or cooking grade) ONLY. Never use charcoal, treated fire logs or other materials in the unit.
- DO NOT pour water into pellet heater when it is burning; this will cause rusting.
- Check the local bylaws before using the pellet heater.
- Never leave a lighted pellet heater unattended.
- DO NOT use under any unprotected combustible structure. Keep combustible surfaces at least 48" (1.21 m) away from all sides of the pellet heater. Combustible materials should never be within 48 (1.21 m) of top, back or sides of the heater.
- Protective gloves and long-handled tools are recommended for use with this pellet heater. Adding pellets to the hopper by hand while the model is in use can cause serious injury. If the flame goes out, please reload hopper once the unit has completely cooled, then resume use.
- Dispose of packing materials properly.
- DO NOT use pellet heater on wooden decks or on other combustible surface.
- This heating appliance should not be used on plastic or artificial wood decks.
- Pellet heater will remain very hot for a period of time after use.
- Be sure pellet heater is cooled down completely before moving it.
- Use with extreme care and at your own risk.
- Do not operate pellet heater unless it is completely assembled and all parts are in place.
- Do not use this pellet heater for cooking.
- Clothing or other flammable material should not be placed on or near the pellet heater.
- Do not put pellet heater cover or anything flammable on, beneath or around the pellet heater until completely cool.
- Users should be aware of the hazards of high surface temperatures and keep a safe distance to avoid burning or clothing ignition.
- Never place hands or finger on the heater while in use or hot.
- Do not handle the pellet heater until it is completely cooled.
- Keep children away from hot pellet heater.
- Young children should be carefully supervised when they are in the same area of the pellet heater.

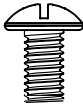
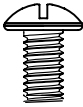
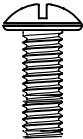


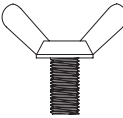
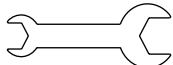
## **WARNING**

**Fuels used in wood burning appliances, and the products of combustion of such fuels, can expose you to chemicals including carbon black, which is known to the state of california to cause cancer, and carbon monoxide, which is known to the state of california to cause birth defects or other reproductive harm. for more information go to: [www.p65warnings.ca.gov](http://www.p65warnings.ca.gov)**

# SAFETY INFORMATION

- Children should never operate this unit.
- Children and adults should be aware of the hazards of high surface temperatures and should stay away to avoid burns or clothing ignition.
- Unit may tip over in high winds.
- Cover the unit when not in use, once completely cooled.
- CREOSOTE DEPOSITS WARNING.** Burned wood pellets will naturally produce tar and other organic vapors that form creosote. After use, residue can accumulate within the chimney and unit body, this will need to be cleaned off and removed by a professional prior to continuing safe use.
- Any guard or other protective device removed for servicing the pellet heater shall be replaced prior to operating the pellet heater.**
- Maximum safe fuel capacity: 18-20 lbs./ 8-9 KG

## Hardware

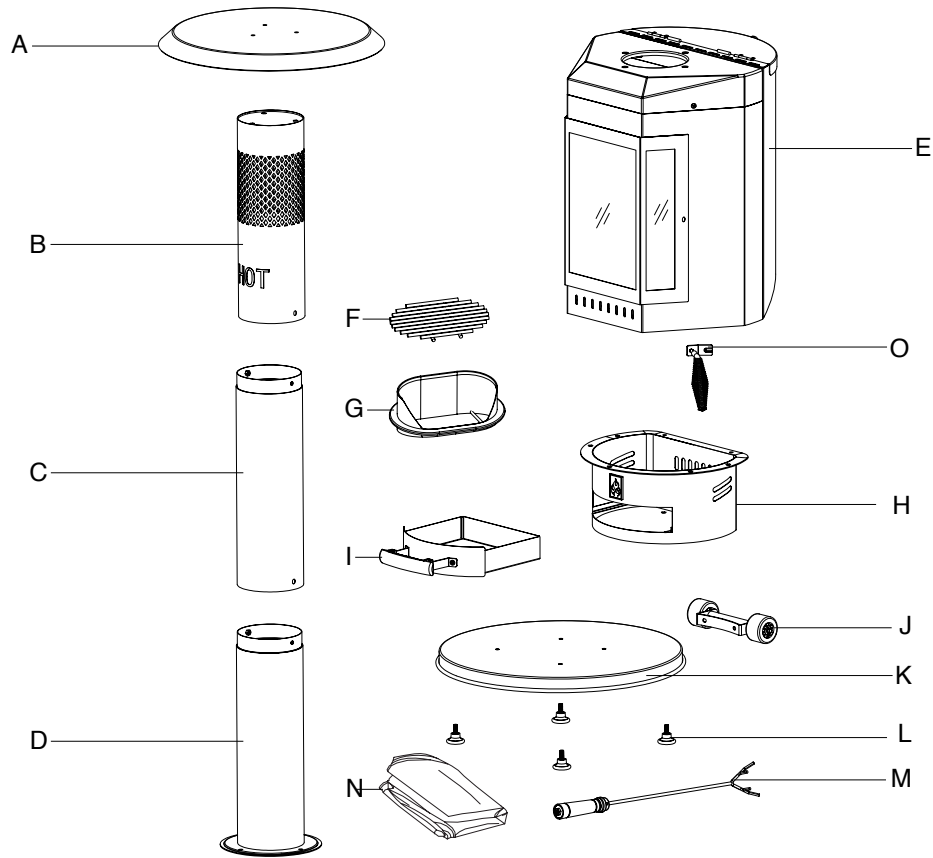
						
AA	BB	CC	DD	EE	FF	GG

Item	Description	Qty
AA	M6x12 Screw	13
BB	M6x12 Screw (stainless steel)	2
CC	M6x20 Screw	2
DD	M6 Nut	2
EE	M6x40 Screw	4
FF	Wing Screw	3
GG	Wrench	1

Before beginning assembly of product, make sure all parts are present. Compare parts with package contents list and hardware contents list. If any part appears missing or damaged, don't use this product and call customer service immediately.

Tools Required for Assembly: Wrench (included) and Phillips Screwdriver (Not Included)

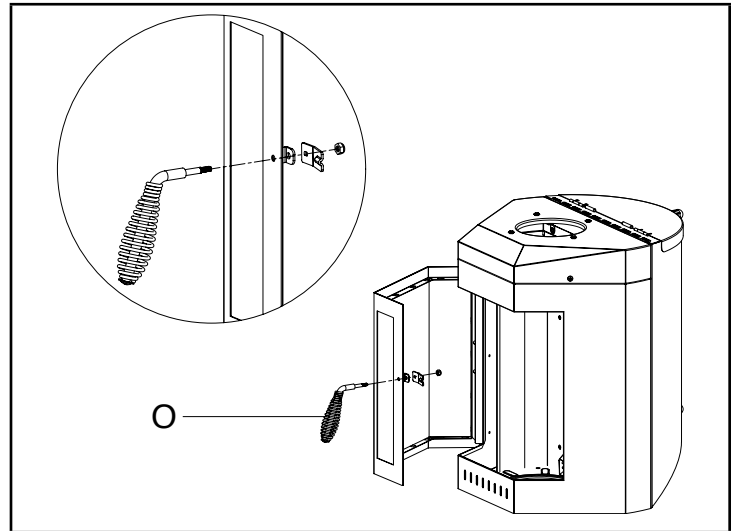
# CONTENTS



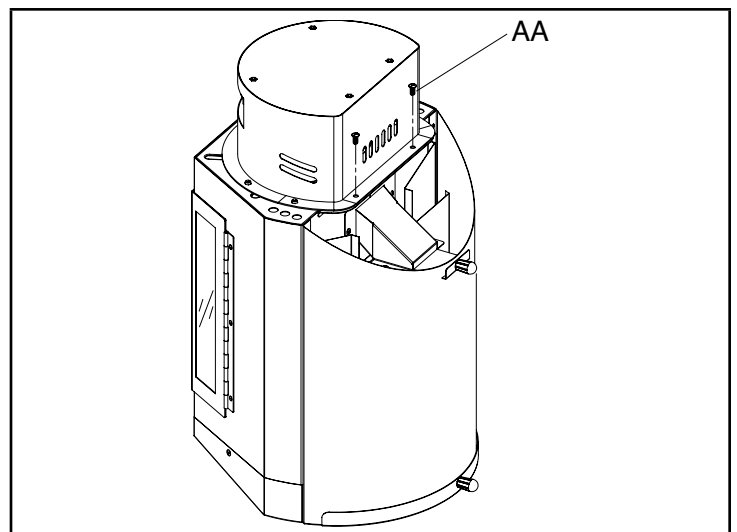
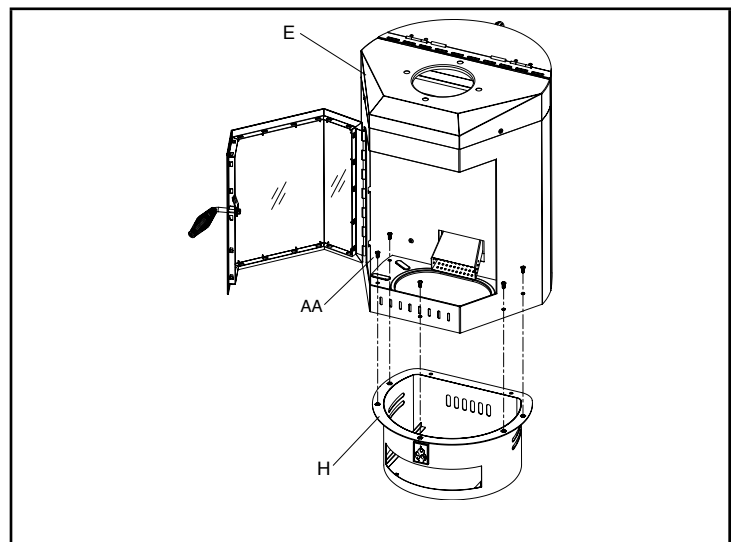
Item	Description	Qty
A	Reflector	1
B	Upper Chimney	1
C	Middle Chimney	1
D	Lower Chimney	1
E	Heater Body Assembly	1
F	Grate	1
G	Firepot	1
H	Heater Base	1
I	Ash Tray	1
J	Wheel Assembly	1
K	Bottom Base	1
L	Feet	4
M	Fire Poker	1
N	Protective Cover	1
O	Door Handle Assembly	1

# ASSEMBLY INSTRUCTIONS

1. Unscrew the lock nut and the latch from the door handle assembly (O). Insert the door handle to the hole on the door, then attach the latch and tighten with lock nut.

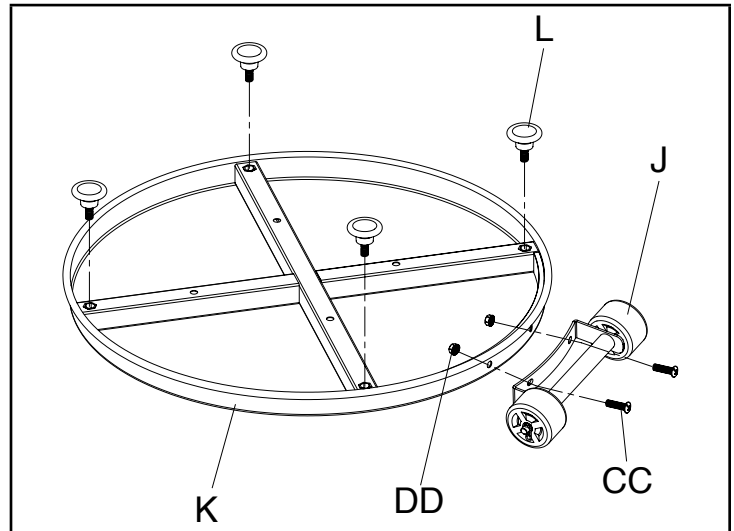


2. Attach the heater body assembly (E) to heater base (H) using 7 pcs M6x12 screws (AA).

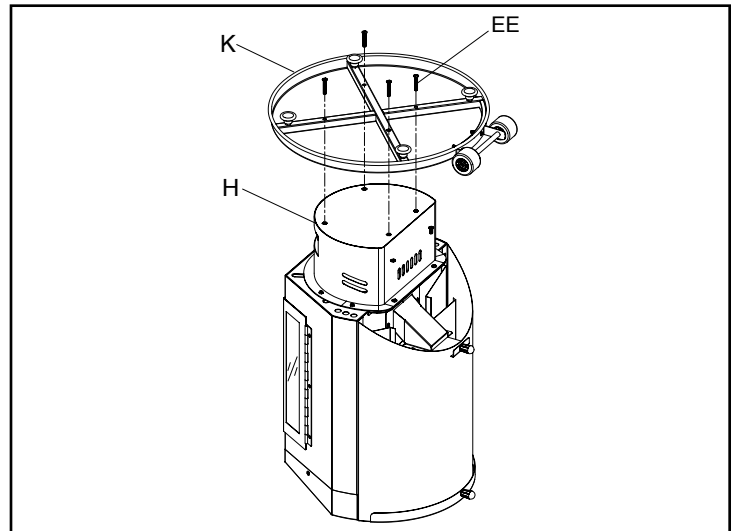


# ASSEMBLY INSTRUCTIONS

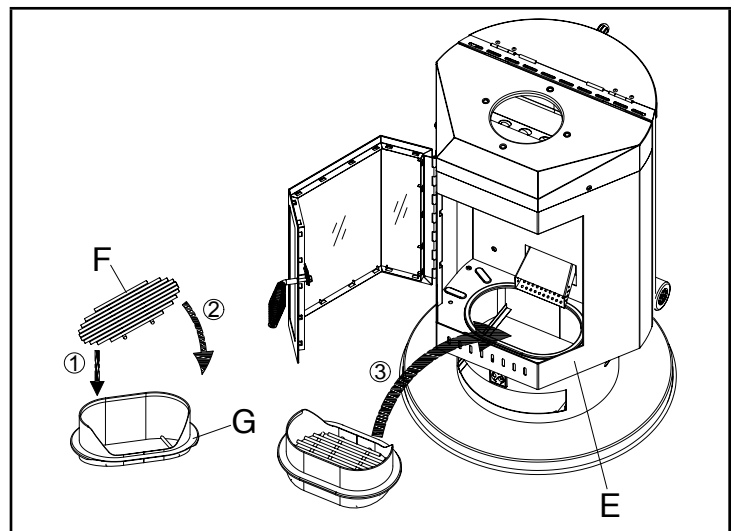
3. Screw in 4 pcs feet (L) to bottom base (K), then attach wheel assembly (J) to bottom base (K) using 2pcs M6x 20 screws (CC) and 2 pcs M6 nuts (DD).



4. Attach bottom base (K) to heater base (H) using 4 pcs M6x 40 screws (EE).

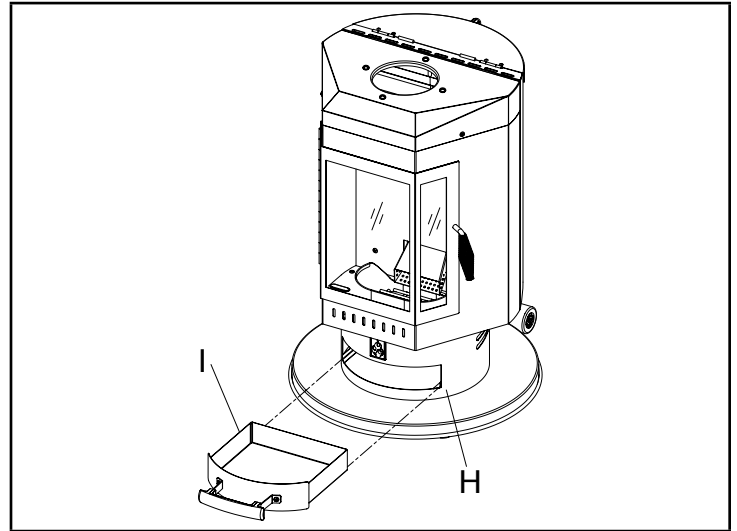


5. Place the grate (F) into firepot (G), then place firepot into heater body assembly (E).

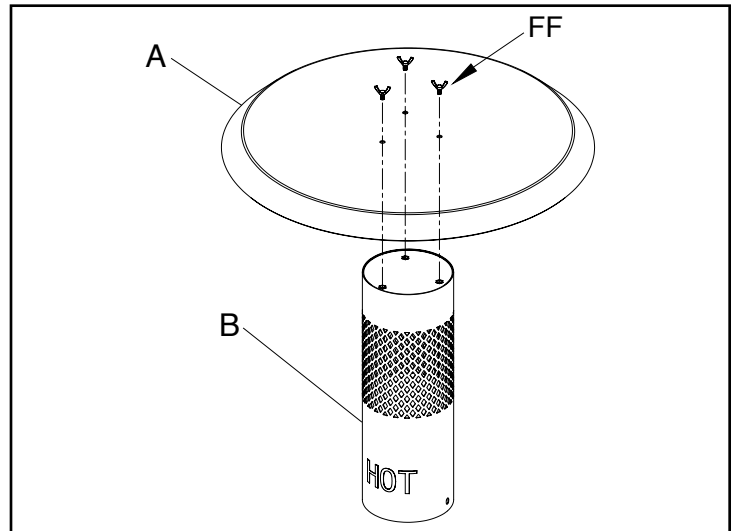


# ASSEMBLY INSTRUCTIONS

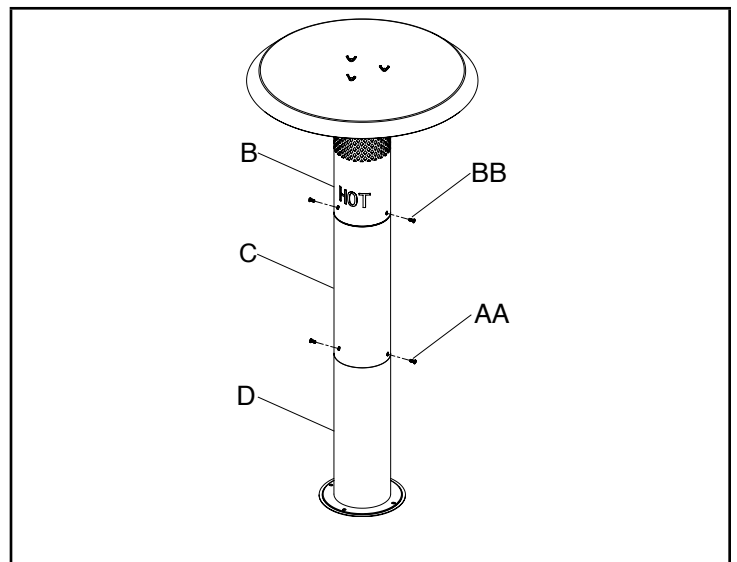
6. Insert ash tray (I) into heater base (H).



7. Attach the reflector (A) to upper chimney (B) using 3 wing screws (FF).

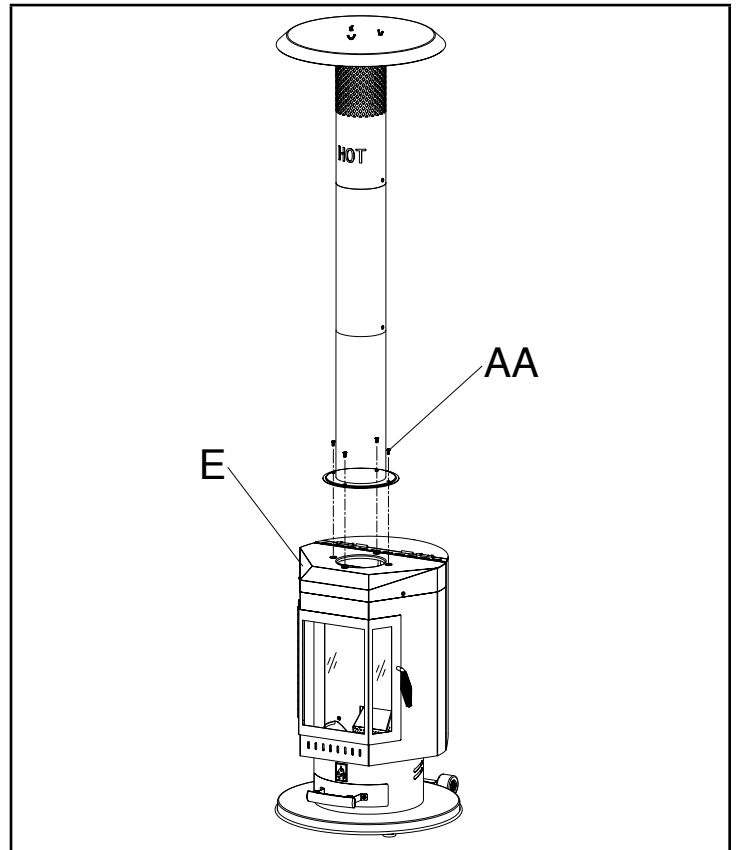


8. Attach upper chimney (B) and middle chimney (C) and lower chimney (D) together using 2pcs M6x12 screws (BB) and 2pcs M6x12 screws (AA).

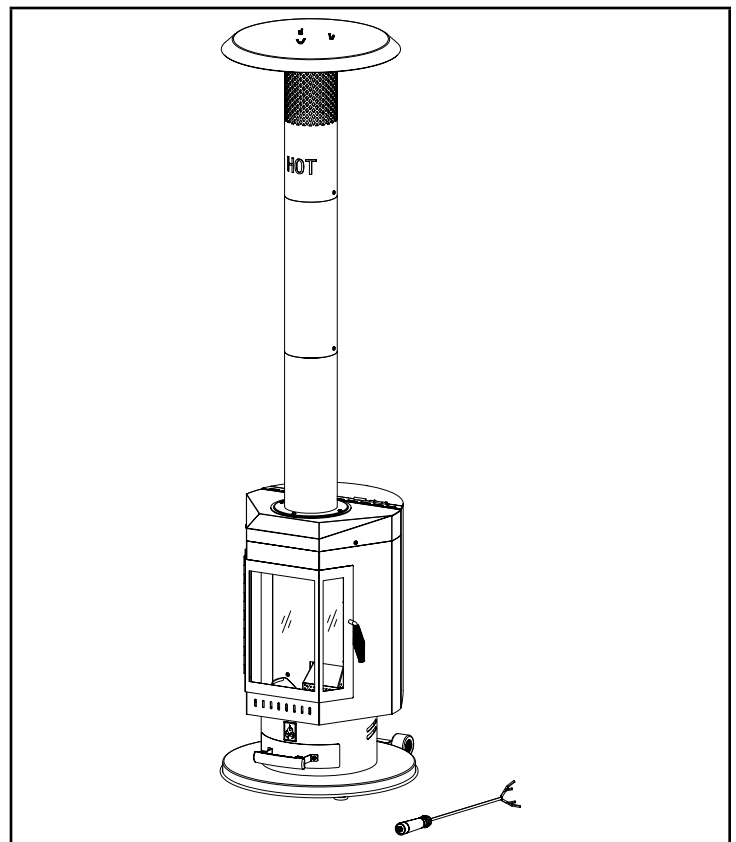


# ASSEMBLY INSTRUCTIONS

9. Attach chimney assembly to heater body assembly (E) using 4pcs M6x12 screws (AA).

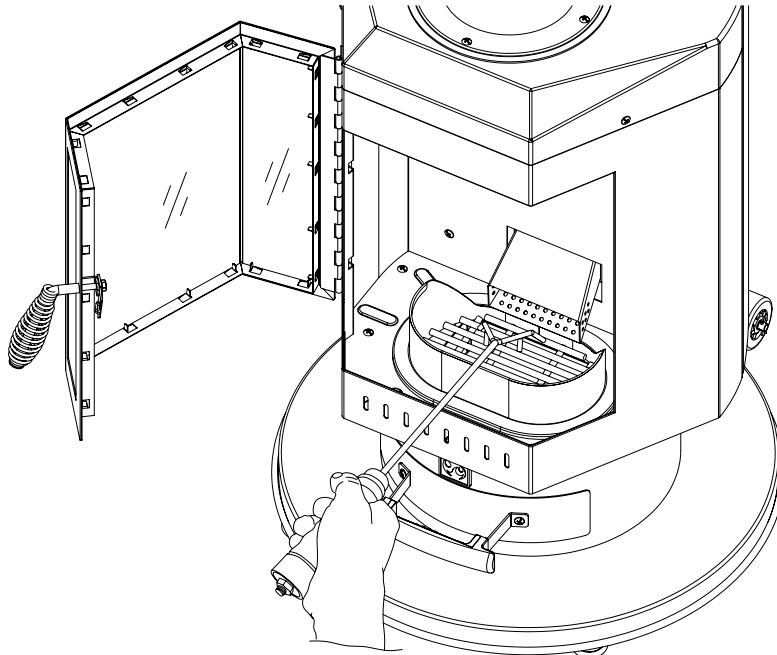


10. Your pellet patio heater is now ready for use.



# OPERATION

1. Make sure your heater has been assembled properly.
2. Push in the shut-off gate.
3. Fill hopper with pellets. The pellets will not fall into the firepot at this point since the shut-off gate is closed.
4. Open the door, pull out the shut-off gate completely. This will allow pellets to fall into firepot.
5. Squirt a small amount of lighter fluid or gel onto the pellets and ignite with a butane lighter or match and close the door.
6. Keep the door closed when using the heater. If the door is open, the heater will lose its draft and the pellets will not burn properly.
7. During the initial burn, the high temperature powder coating goes through a curing process. While curing, it will give off smoke during the first 15 minutes of use. This is normal and temporary.
8. After several hours of use you may have excess pellets piled up at the bottom of the firepot, you will need to open the door and use the fire poker to stir the pellets. This only needs to be done after several hours of use to help ensure maximum heat output.



# MAINTENANCE

- This outdoor pellet patio heater should be inspected on a regular basis to ensure product safety and long product life.
- Check components for any signs of damage.
- Wipe exterior surfaces and unit windows with a mild soap and water. Ash tray and ash tray area should be regularly cleaned, once ashes have completely cooled.
- Store pellet patio heater in a cool dry place, away from moisture
- When ready to store, remove left over wood pellets from the hopper to avoid a clog in the gravity feeder.
- CREOSOTE DEPOSITS WARNING.** After use, residue can accumulate within the chimney and unit body. Please reach out to a professional prior to continuing use of the model for creosote removal and continued safe use.
- ATTENTION!** Properly dispose of any ashes left over after burning. Ashes may still be hot from use, please ensure these are placed in a non-flammable container away from any combustible materials until completely cooled. Once completely cooled, these can be discarded.
- Use manufacturer-approved or supplied replacement parts and accessories only. Otherwise it may void the warranty of this product and result in a hazardous condition.
- Keep the pellet patio heater free and clear from combustible materials and debris.**

# WARRANTY

This product has a one-year warranty against manufacturing defects in workmanship, or materials.

The manufacturer warranty will be voided by, and manufacturer disclaims any responsibility for, the following actions:

- Modification of the unit and/or components.
- Use of any component part not manufactured or approved by manufacturer.
- Use and installation other than what is listed in this manual.

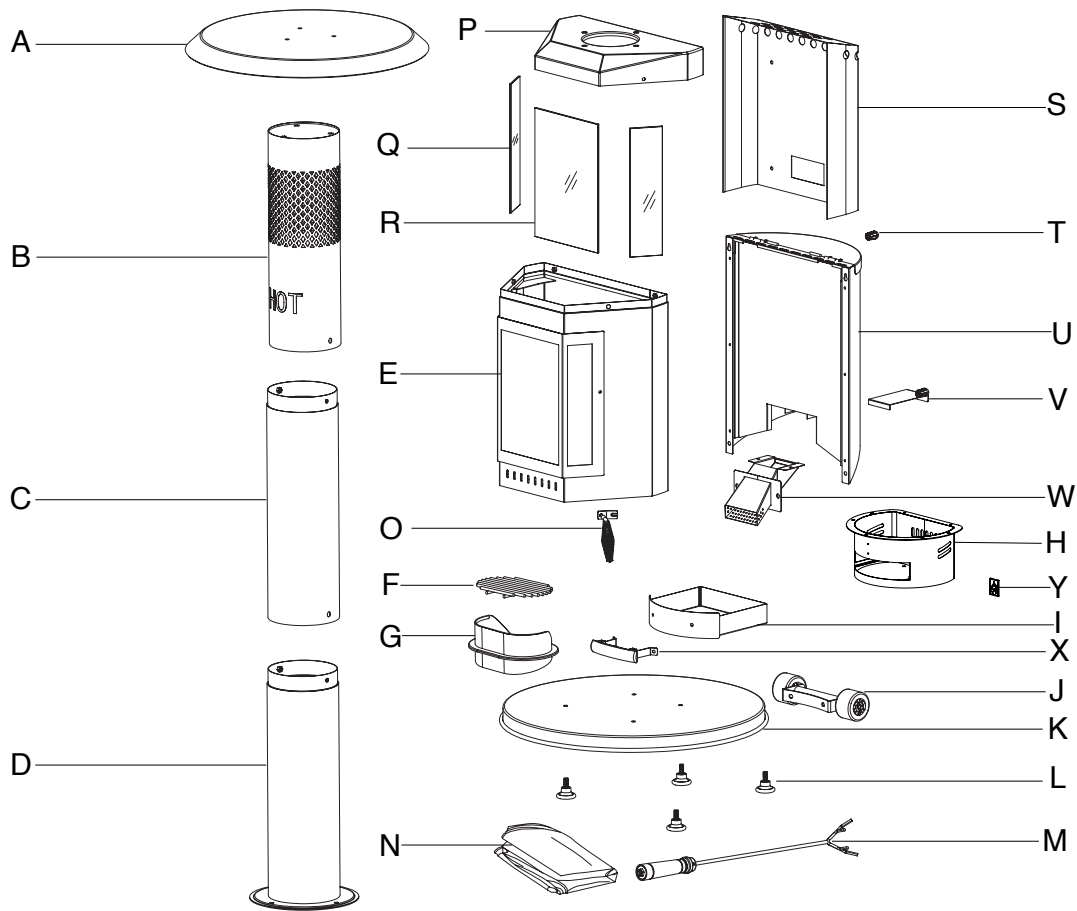
Please contact the manufacturer for replacement parts.

# CONTACT

If you have any questions or concerns, please contact manufacturer at the below resources:

Toll free phone	1-877-447-4768   Monday - Friday, 8:00 am - 4: 30 pm CST
Email	customerservice@ghpgroupinc.com
Website	www.ghpgroupinc.com

# REPLACEMENT PARTS LIST



Item	Description	Part #	Item	Description	Part #
A	Reflector	30-01-885	N	Protective Cover	30-01-898
B	Upper Chimney	30-01-886	O	Door Handle Assembly	30-01-899
C	Middle Chimney	30-01-887	P	Heater Body Cover	30-01-875
D	Lower Chimney	30-01-888	Q	Small Glass	30-01-876
E	Heater Body Assembly	30-01-889	R	Middle Glass	30-01-877
F	Grate	30-01-890	S	Inner Shield	30-01-878
G	Firepot	30-01-891	T	Hopper Lid Knob	30-01-879
H	Heater Base	30-01-892	U	Hopper	30-01-880
I	Ash Tray	30-01-893	V	Shut-off Gate	30-01-881
J	Wheel Assembly	30-01-894	W	Feeder	30-01-882
K	Bottom Base	30-01-895	X	Ash Tray Handle	30-01-883
L	Feet	30-01-896	Y	Badge	30-01-905
M	Fire Poker	30-01-897	AA-GG	Hardware Pack	30-01-884