



## ASSEMBLY INSTRUCTIONS

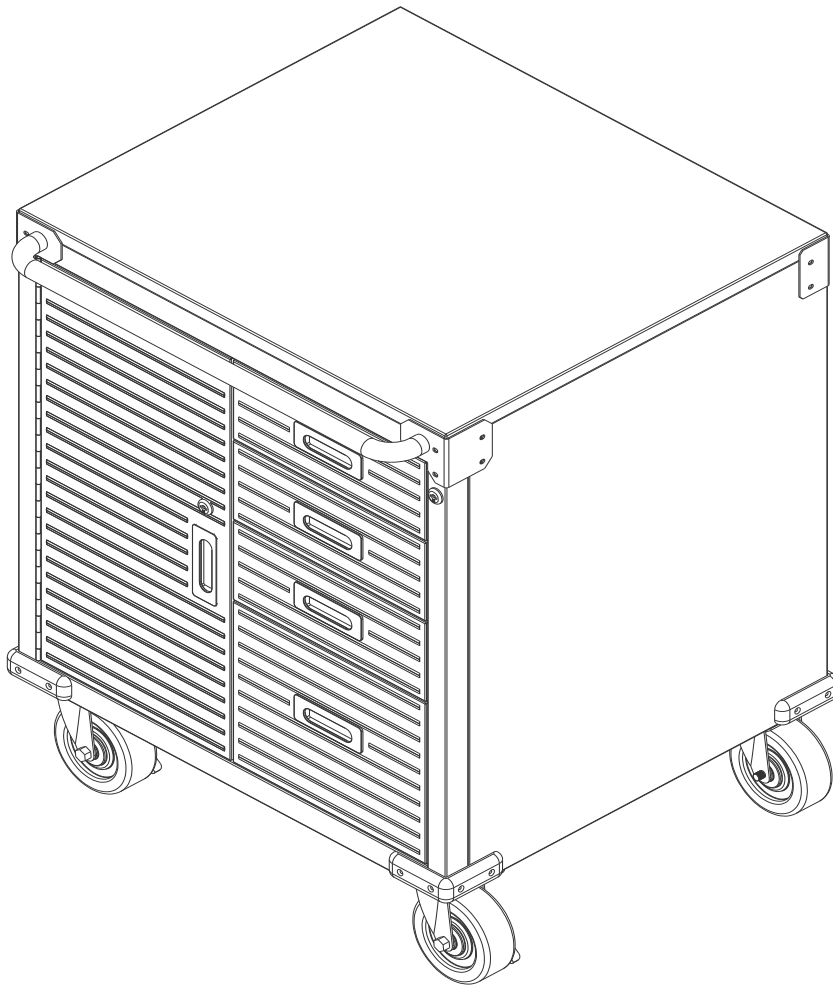
UltraHD® Rolling Cabinet (Model No. 20225, 20081, 20082, 20083)  
Granite Graphite Red White

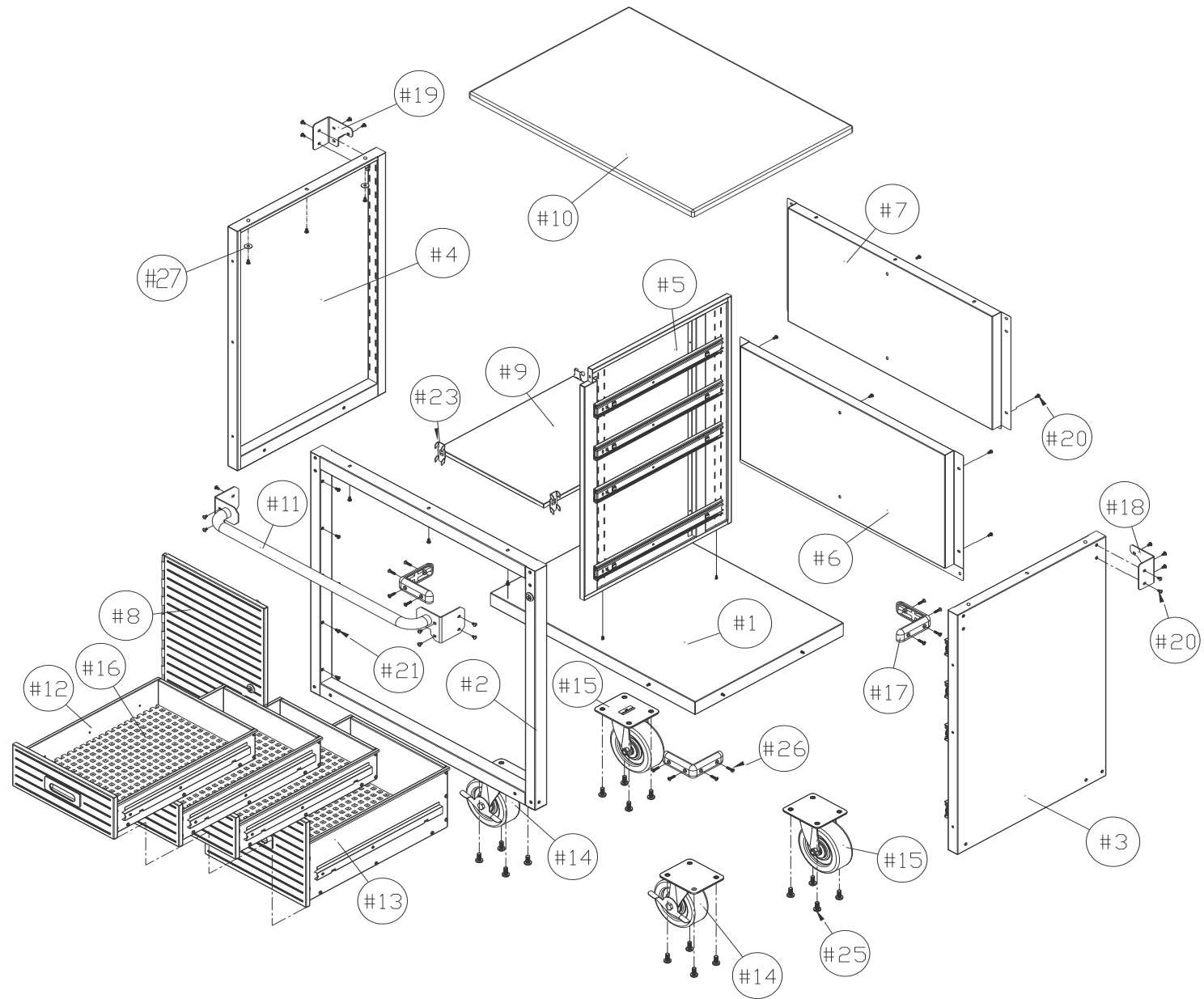
28in. W X 25in. D X 34.5in. H  
(71.1cm x 63.5cm x 87.6cm )

**ULTRAGUARD®**

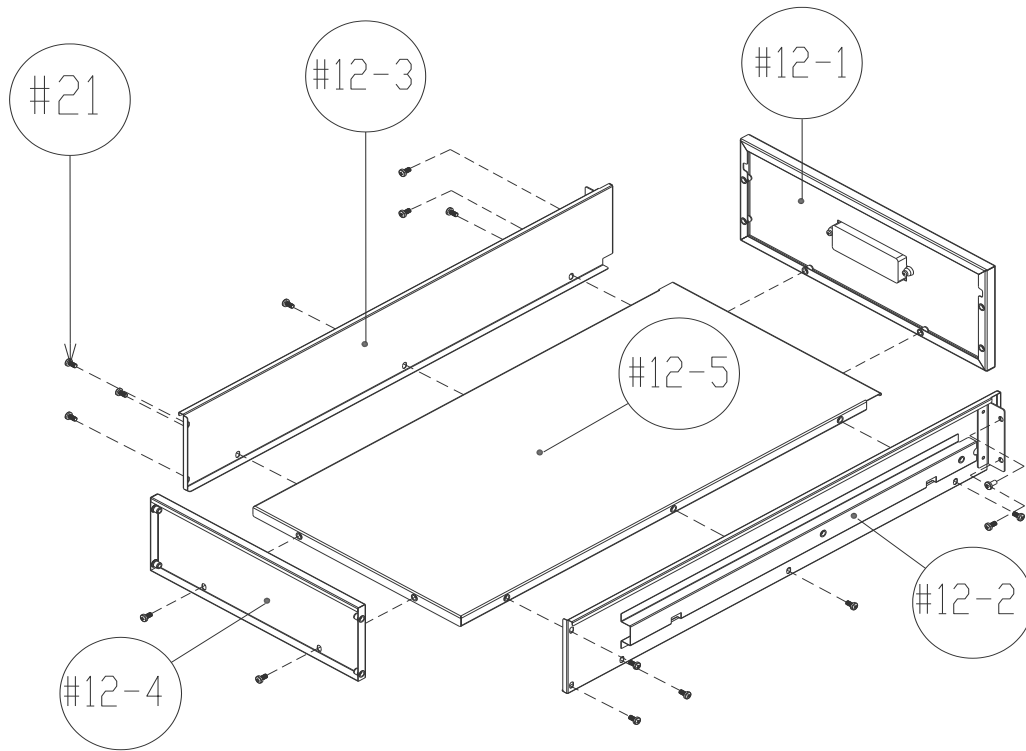
FINGERPRINT RESISTANT SURFACES  
AND INCREASED DURABILITY

Reference page 13 for special care and  
maintenance of stainless steel

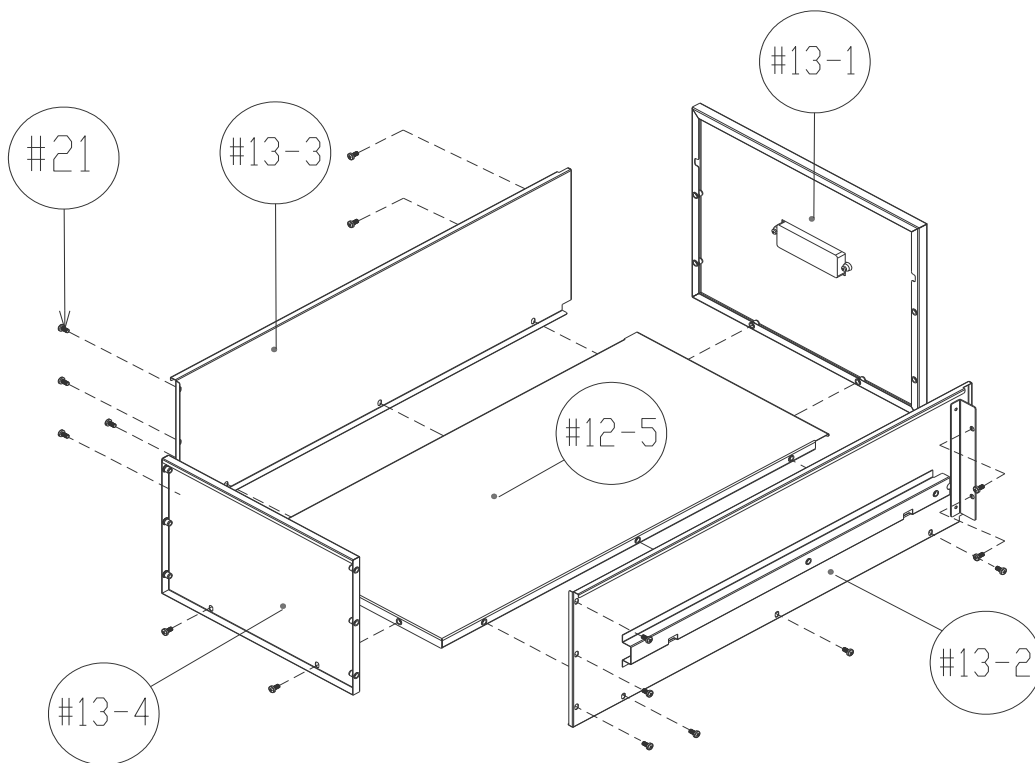




### Small Drawer Assembly

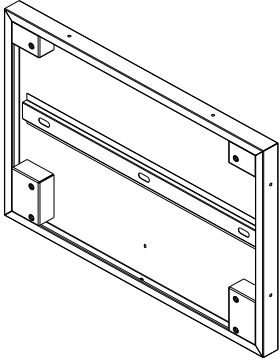


### Large Drawer Assembly

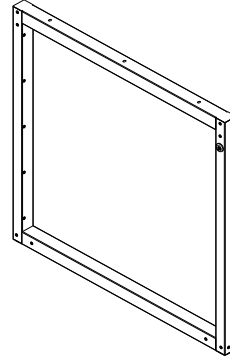


# PARTS LIST

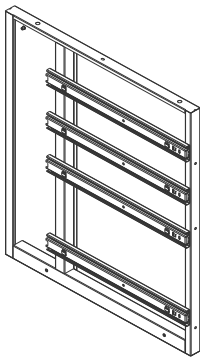
Please check the parts carefully according to the parts list. If you are missing any parts, please contact our customer service department (please refer to page 14 ).



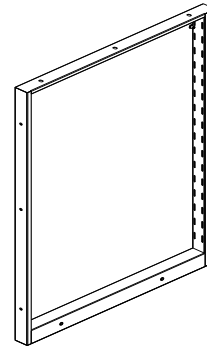
**(#1) BOTTOM PANEL x 1 PC**



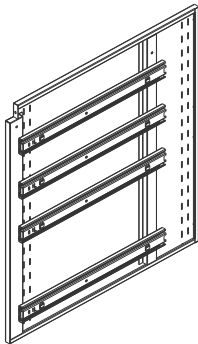
**(#2) FRONT FRAME x 1 PC**



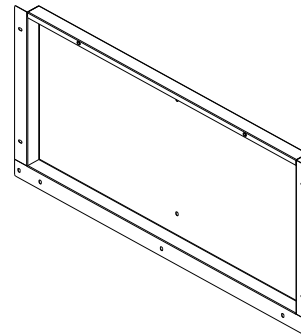
**(#3) RIGHT PANEL x 1 PC**



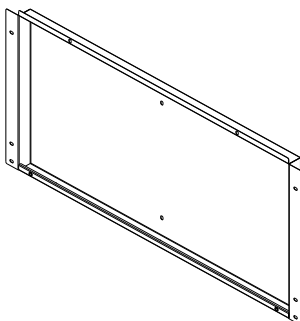
**(#4) LEFT PANEL x 1 PC**



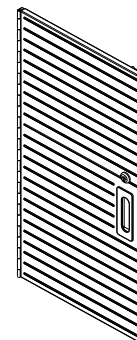
**(#5) MIDDLE PANEL x 1 PC**



**(#6) BOTTOM BACK PANEL x 1 PC**



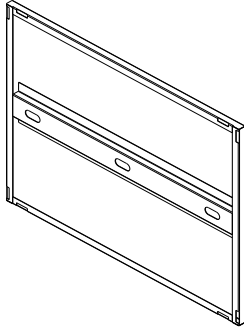
**(#7) UPPER BACK PANEL x 1 PC**



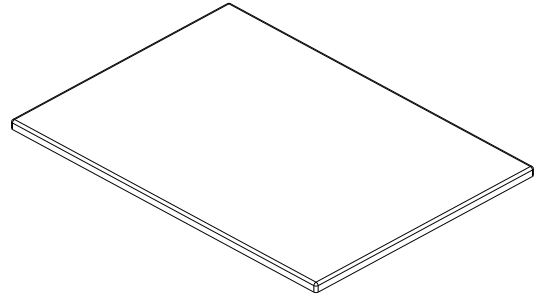
**(#8) DOOR x 1 PC**

# PARTS LIST

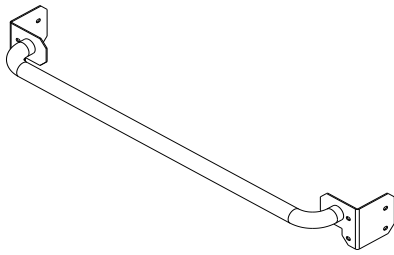
Please check the parts carefully according to the parts list. If you are missing any parts, please contact our customer service department (please refer to page 14 ).



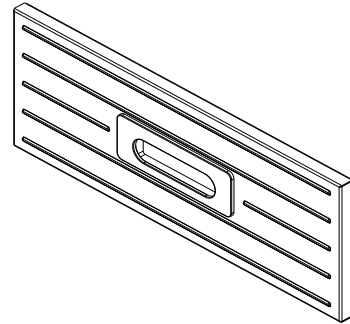
**(#9) MIDDLE SHELF x 1 PC**



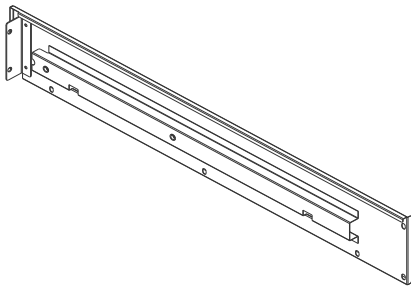
**(#10) SOLID HARDWOOD TOP x 1 PC**



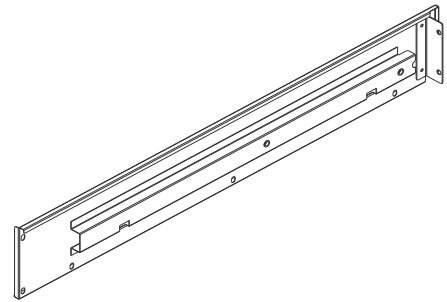
**(#11) PUSH BAR x 1 PC**



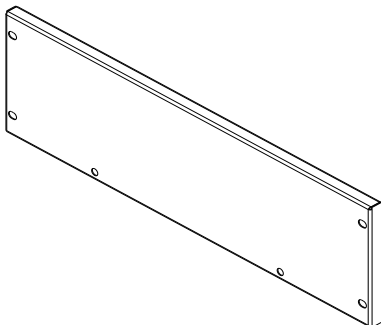
**(#12-1) SMALL DRAWER FRONT PANEL x 3 PCS**



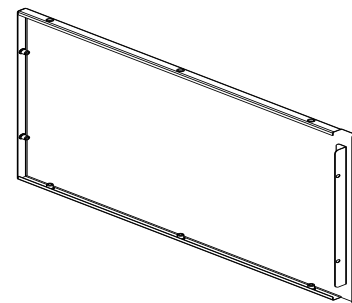
**(#12-3) SMALL DRAWER RIGHT PANEL x 3 PCS**



**(#12-2) SMALL DRAWER LEFT PANEL x 3 PCS**



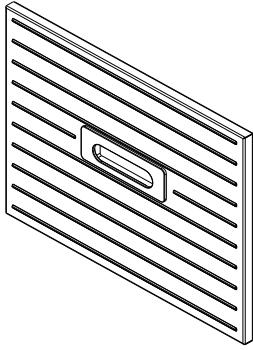
**(#12-4) SMALL DRAWER BACK PANEL x 3 PCS**



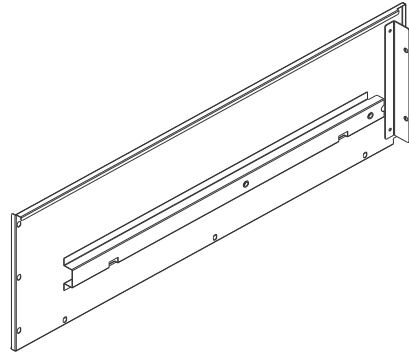
**(#12-5) DRAWER BASE PANEL x 4 PCS**

# PARTS LIST

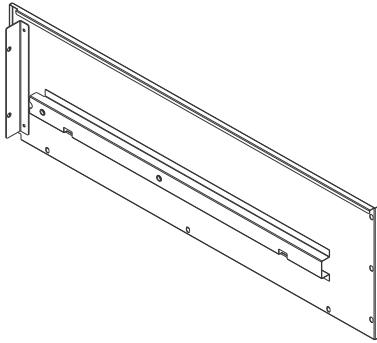
Please check the parts carefully according to the parts list. If you are missing any parts, please contact our customer service department (please refer to page 14 ).



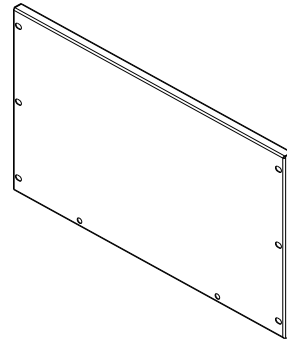
**(#13-1) LARGE DRAWER FRONT PANEL x 1 PC**



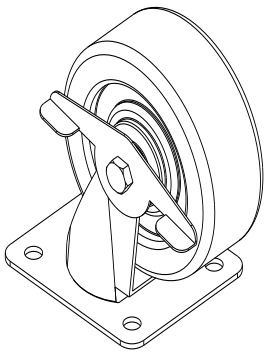
**(#13-2) LARGE DRAWER LEFT PANEL x 1 PC**



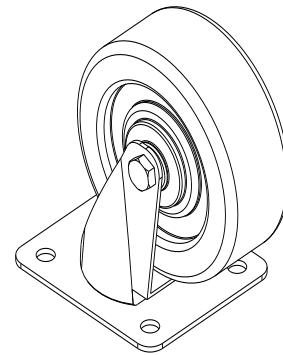
**(#13-3) LARGE DRAWER RIGHT PANEL x 1 PC**



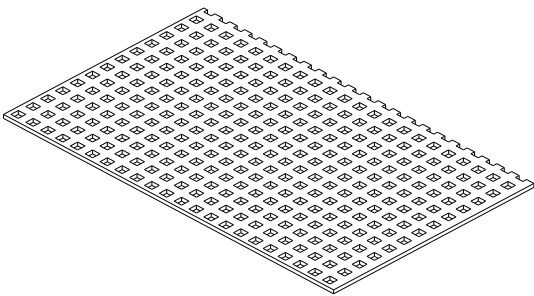
**(#13-4) LARGE DRAWER BACK PANEL x 1PC**



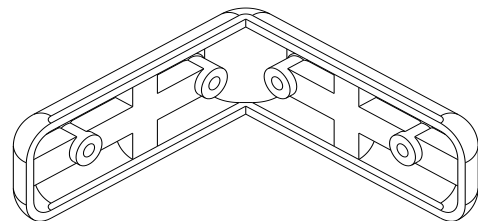
**(#14) SWIVEL WHEEL WITH BRAKE x 2 PCS**



**(#15) SWIVEL WHEEL W/O BRAKE x 2 PCS**



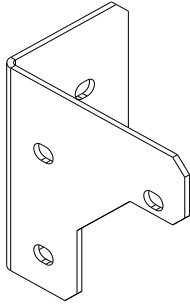
**(#16) DRAWER MAT x 4 PCS**



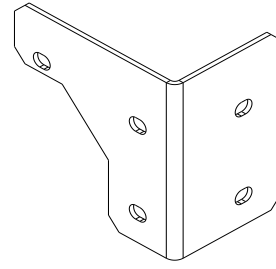
**(#17) BUMPER x 4 PCS**

# PARTS LIST

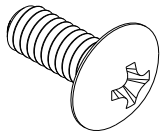
Please check the parts carefully according to the parts list. If you are missing any parts, please contact our customer service department (please refer to page 14 ).



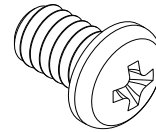
**(#18) RIGHT BACK CORNER PROTECTOR x 1 PC**



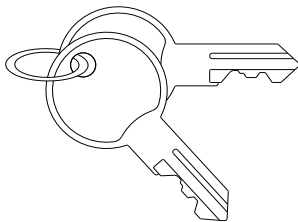
**(#19) LEFT BACK CORNER PROTECTOR x 1 PC**



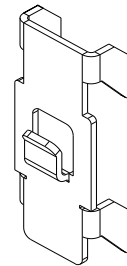
**(#20) SCREW A (M4 x 10) x 58 PCS**



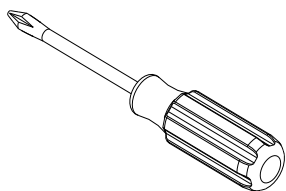
**(#21) SCREW B (M4 x 8) x 95 PCS**



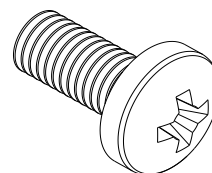
**(#22) DOOR / DRAWER KEY x 2 STRINGS**



**(#23) HOOK x 4 PCS**



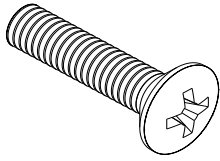
**(#24) PHILLIPS SCREWDRIVER x 1 PC**



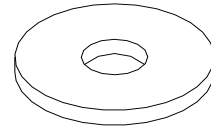
**(#25) SCREW D (M8 x 18) x 16 PCS**

## PARTS LIST

Please check the parts carefully according to the parts list. If you are missing any parts, please contact our customer service department (please refer to page 14 ).



**(#26) SCREW C (M4 x 18) x 16 PCS**

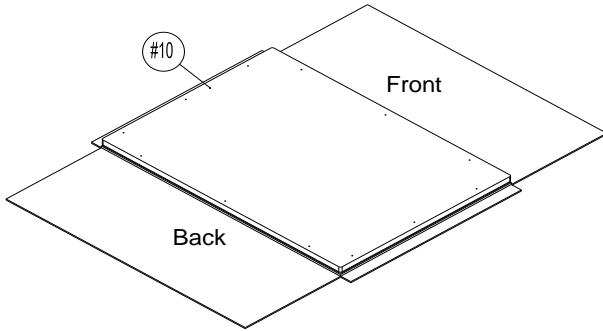


**(#27) WASHER (M4) x 4 PCS**

# UltraHD® Tall Storage Cabinet (Model No. 20225, 20081, 20082, 20083)



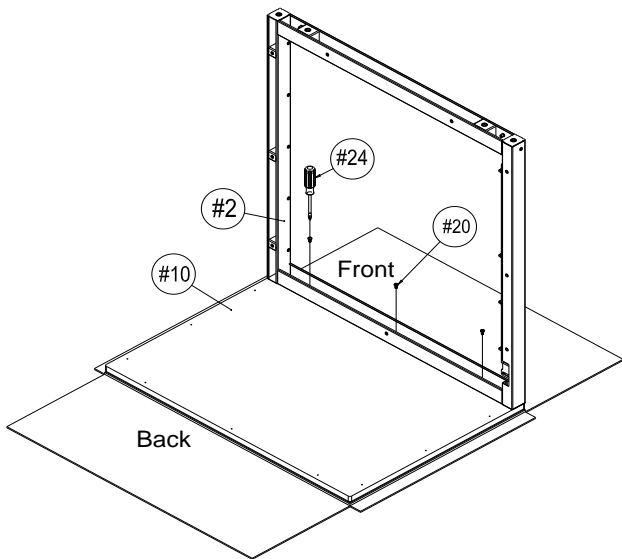
\*NOTE: We recommend using TWO people to assemble the cabinet.



**TIP:** A magnetic screwdriver is included for your convenience. If a power screwdriver is used, keep on a low torque setting.

**Step 1.** Open the package, remove and place all parts to the side. Then open the package of the Solid Hardwood Top (#10).

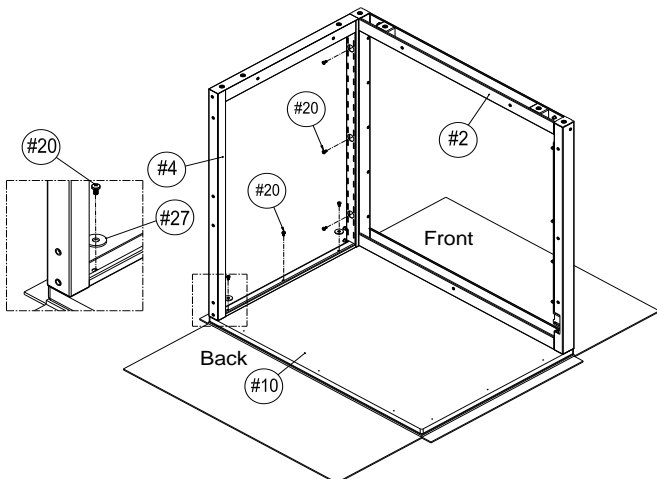
**Note:** The Solid Hardwood Top is packed within an inner cardboard box.



**Step 2. Install Front Frame (#2).**

Locate the Front Frame (#2) and attach to the "Front" of the Solid Hardwood Top (#10) using Screw Driver (#24) and Screw A (#20).

**Note:** The screw holes have some tolerance so make sure that the top and sides of the Front Frame are flushed with the Solid Hardwood Top – this may save time by avoiding having to make slight adjustments later.



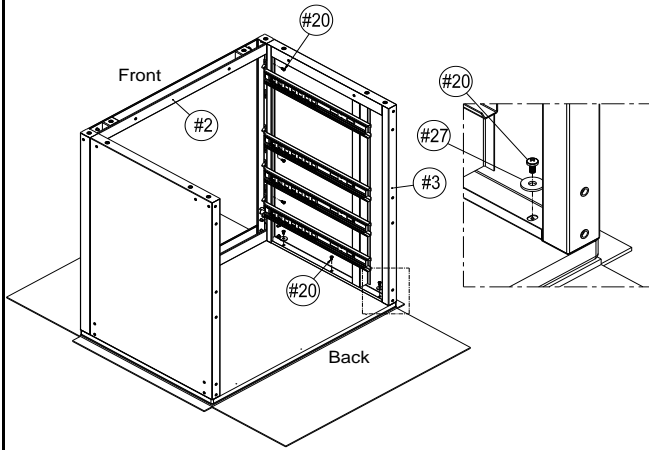
**Step 3. Install the Left Panel (#4).**

Attach the Left Panel (#4) to Front Frame (#2) and Solid Hardwood Top (#10). Make sure the "Top" of the Left Panel (#4) is on the Solid Hardwood Top (#10) and the screw holes are lined up to the Front Frame (#2). Use Screw Driver (#24) and Screw A (#20) with Washer (#27) to tighten the Left Panel (#4) to the Front Frame (#2) and then to the Solid Hardwood Top (#10).

# UltraHD® Tall Storage Cabinet (Model No. 20225, 20081, 20082, 20083)

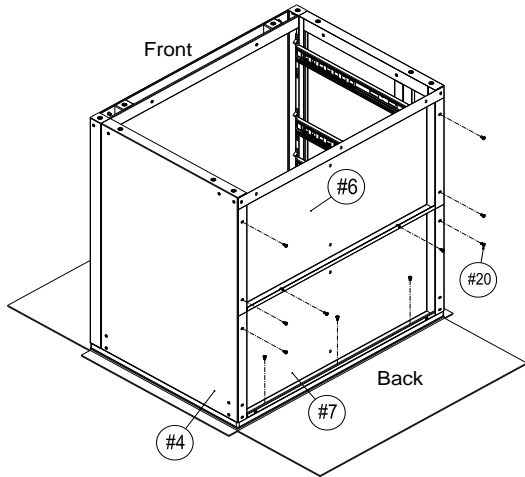


\*NOTE: We recommend using TWO people to assemble the cabinet.



## Step 4. Install the Right Panel (#3).

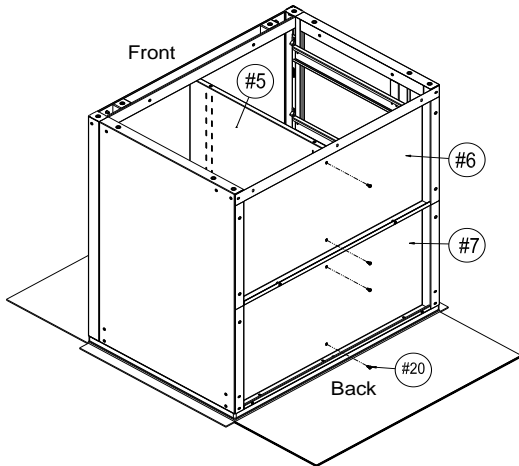
Attach the Right Panel (#3) to Front Frame (#2). Make sure the "Top" of the Right Panel (#3) is on the Solid Hardwood Top (#10). Use Screw Driver (#24) and Screw A (#20) with Washer (#27) to tighten the Right Panel (#3) to the Front Frame (#2) and then to the Solid Hardwood Top (#10).



## Step 5. Install the Upper Back Panel (#7) and Bottom Back Panel (#6).

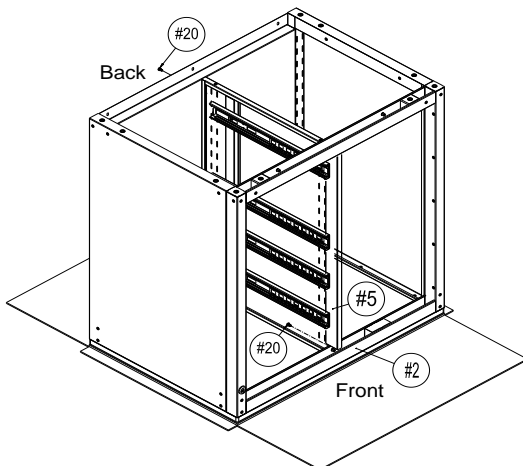
a. Attach the Upper Back Panel (#7) between the Left Panel (#4) and Right Panel (#3). Make sure the "Top" of the Upper Back Panel (#7) is to the Solid Hardwood Top (#10) as the sticker indicates. Line up the screw holes and use Screw A (#20) to tighten up the Upper Back Panel to the Solid Hardwood Top (#10), Left Panel (#4) and Right Panel (#3).

b. Attach Bottom Back Panel (#6) between the Left Panel (#4) and Right Panel (#3). Make sure the "Top" of the Bottom Back Panel (#6) is on the Upper Back Panel (#7) as the sticker indicates. Line up the screw holes and use Screw A (#20) to tighten the Bottom Back Panel (#6) to the Upper Back Panel (#7), Left Panel (#4) and Right Panel (#3).



## Step 6. Install the Middle Panel (#5).

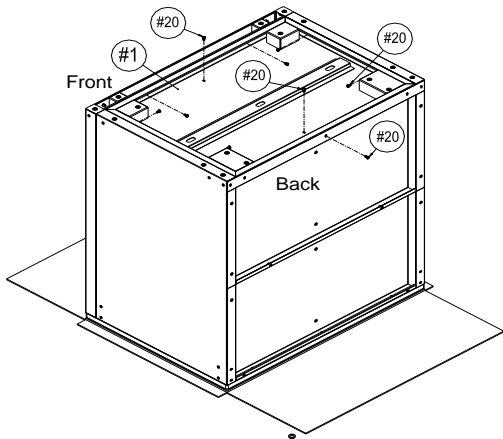
Attach the Middle Panel (#5) into the cabinets as drawing to the left. Make sure the "Top" of the Middle Panel (#5) is to the Solid Hardwood Top (#10) as the sticker indicates. Use Screw A (#20) to tighten the Middle Panel (#5) to the Bottom Back Panel (#6), Upper Back Panel (#7) and Front Frame (#2).



# UltraHD® Tall Storage Cabinet (Model No. 20225, 20081, 20082, 20083)

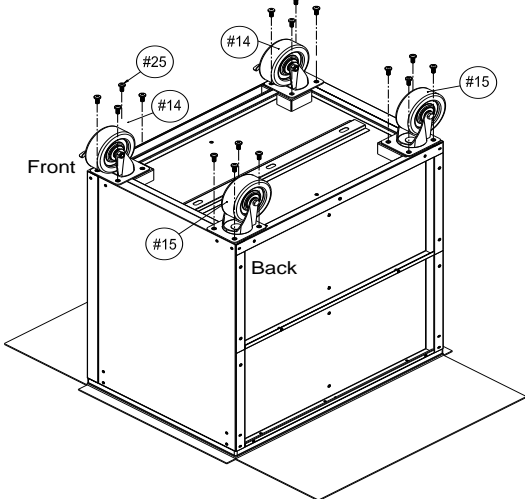


\*NOTE: We recommend using TWO people to assemble the cabinet.



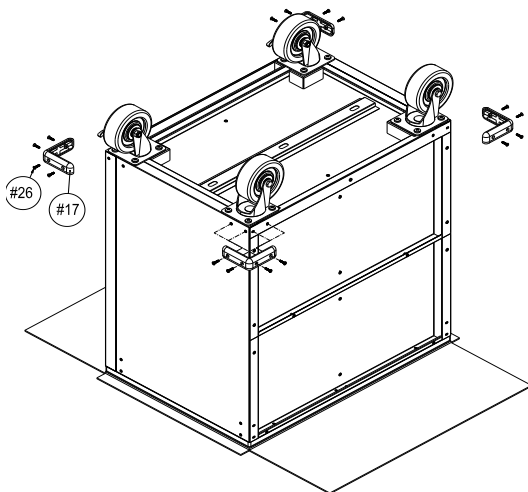
## **Step 7. Install the Bottom Panel (#1).**

Attach the Bottom Panel (#1) to the Left Panel (#4), Right Panel (#3), Front Frame (#2) and Bottom Back Panel (#6). Line up the screw holes and use Screw A (#20) to tighten.



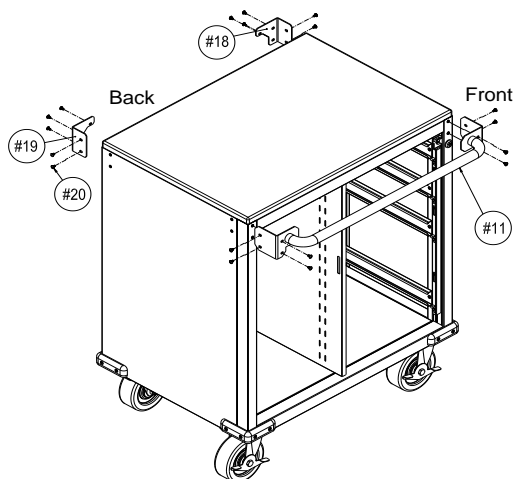
## **Step 8. Install Wheels (#14 and #15).**

Attach Wheels (#14 and #15) to the Bottom Panel (#1) and surrounding frame. Make sure the Swivel Wheels with Brake are installed at the front side. Use Screw D (#25) to tighten them.



## **Step 9. Install Bumpers (#17).**

Attach Bumpers (#17) to the bottom four corners of the cabinet. Use Screw C (#26) to tighten them.



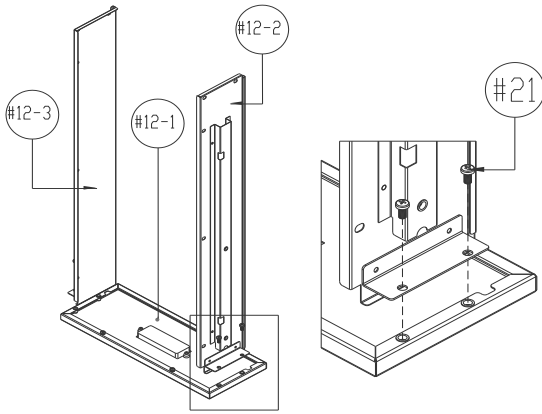
## **Step 10. Install Corner Protectors (#18 and #19) and Push Bar (#11).**

Attach the Right Back Corner Protector (#18) and Left Back Corner Protector (#19) to the back side of the cabinet. Use Screw A (#20) to tighten them. Then attach the Push Bar (#11) to the front side of the cabinet. Use Screw A (#20) to tighten it.

# UltraHD® Tall Storage Cabinet (Model No. 20225, 20081, 20082, 20083)

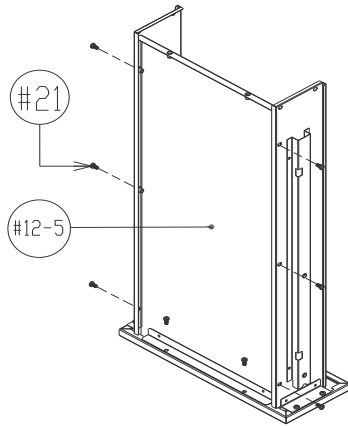


\*NOTE: We recommend using TWO people to assemble the cabinet.



## **Step 11. Install Small Drawer Side Panels (#12-2 and #12-3).**

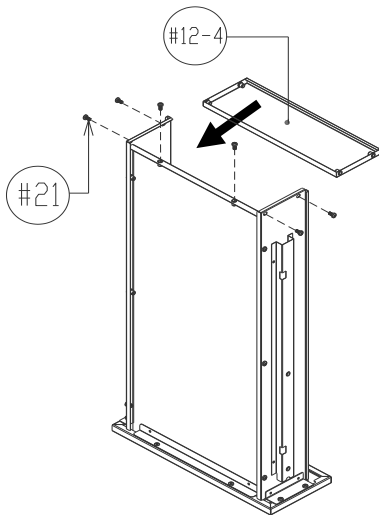
Fit and attach Small Drawer Side Panels (#12-2 and #12-3) one at a time into the back of the Small Drawer Front Panel (#12-1). Make sure the Drawer Side Panels are placed in all the way making contact with the rear of the Small Drawer Front Panel (#12-1). Line up the screw holes and use Screw B (#21) to tighten them.



## **Step 12. Install Small Drawer Base Panel (#12-5).**

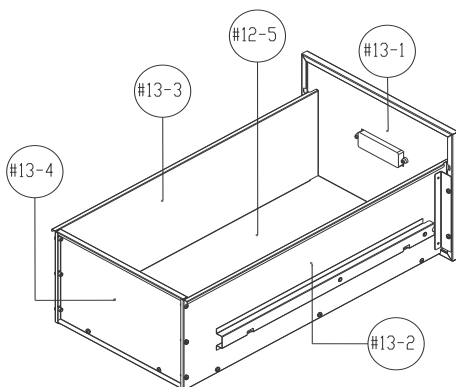
From above, fit and attach Small Drawer Base Panel (#12-5) between the two sides and into the back of the Small Drawer Front Panel (#12-1). Use Screw B (#21) to tighten.

**Note:** Do not fully tighten any one screw until all screws are partially screwed in.



## **Step 13. Install Small Drawer Back Panel (#12-4).**

Attach the Small Drawer Back Panel (#12-4) to the rest of the assembled drawer. Use Screw B (#21) to tighten. Once you have the first Small Drawer assembled, repeat **Steps 11-13** to assemble the other two Small Drawers. Once completed, you should have three Small Drawers.



## **Step 14. Assemble and Install Large Drawer the same way.**

Repeat Steps 11-13 using Large Drawer Left Panel (#13-2), Large Drawer Right Panel (#13-3), Large Drawer Front Panel (#13-1), Large Drawer Back Panel (#13-4) and Drawer Base Panel (#12-5) to assemble the Large Drawer. Once assembled, you should have one Large Drawer.

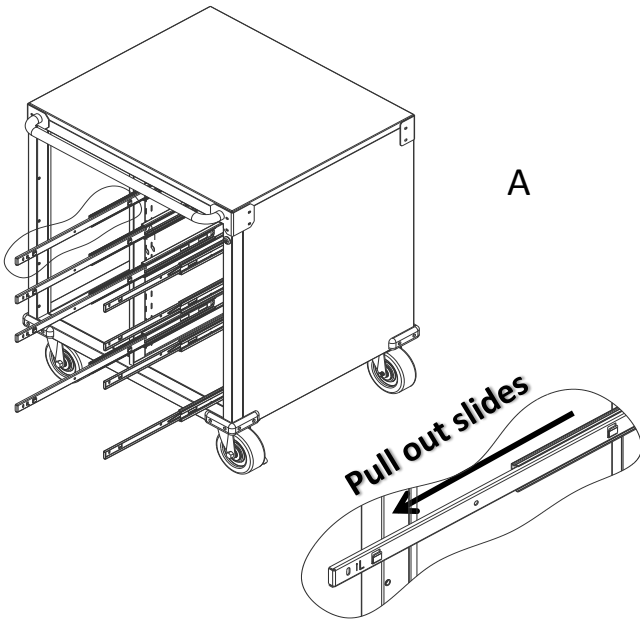
# UltraHD® Tall Storage Cabinet (Model No. 20225, 20081, 20082, 20083)



\*NOTE: We recommend using TWO people to assemble the cabinet.



**WARNING:** Check the key/lock, it must be unlocked before all the drawers are placed.



A

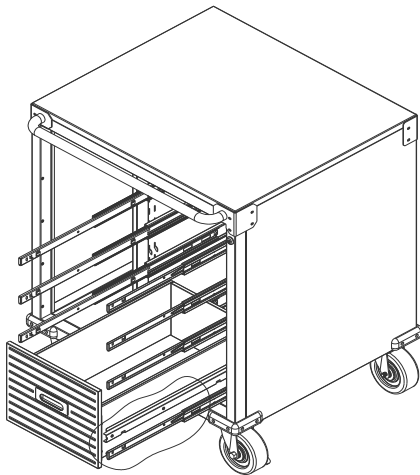
## Step15. Install Drawers into cabinet.

a. Pull out the 2 bottom slides for the large drawer.

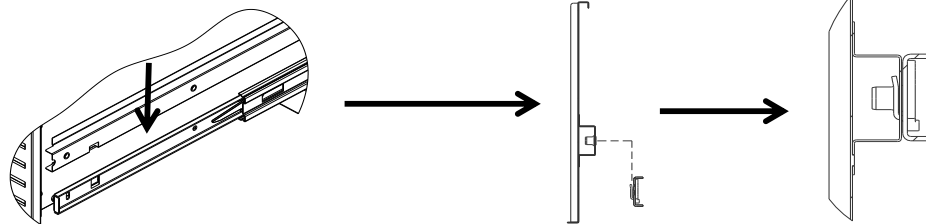
b. Hook the large drawer between both slides, make sure the slides hooks are inserted into the square holes on the drawer side panels completely.

c. Line up the screw holes, and using 4pcs Screw B (#21) to tighten the drawer.

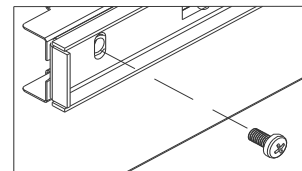
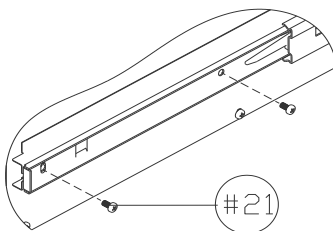
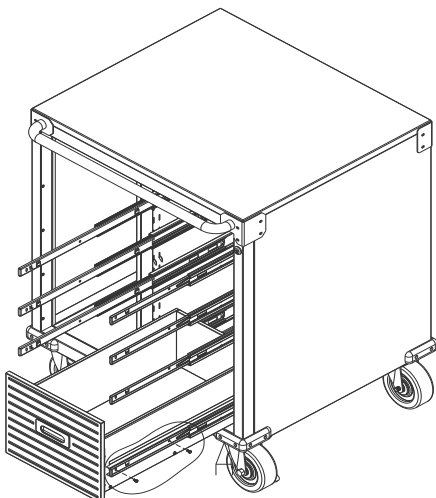
d. Repeat above steps to place the other drawers.



B



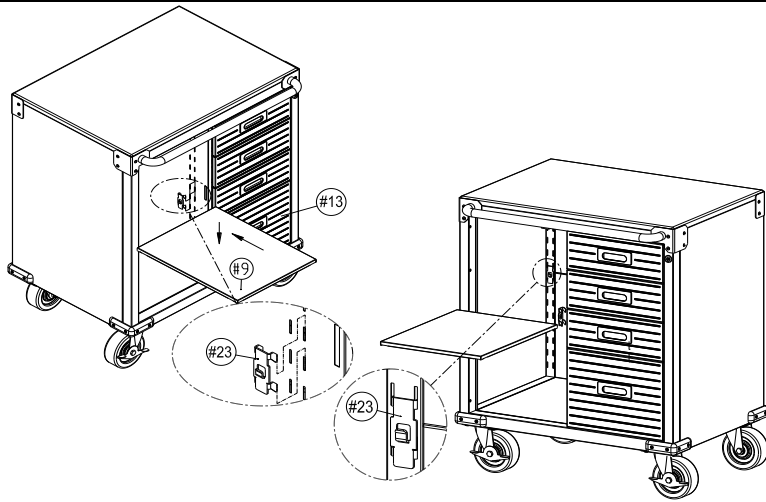
C



# UltraHD® Tall Storage Cabinet (Model No. 20225, 20081, 20082, 20083)



\*NOTE: We recommend using TWO people to assemble the cabinet.

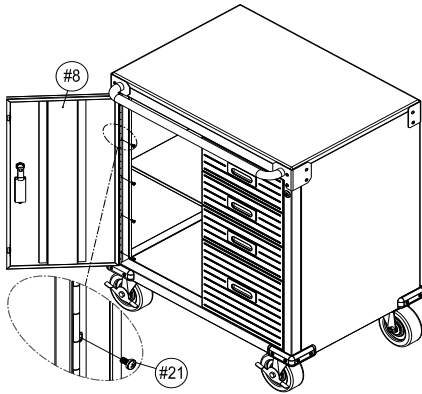


## Step 14. Install the Middle Shelf (#9).

- Decide the height for the Middle Shelf (#9), place the Hooks (#23) into the hook slot and push down.

**Note:** The Middle Shelf has 4 Hooks at each corner for support. Place the 4 Hooks at each corner and make sure they are the same height.

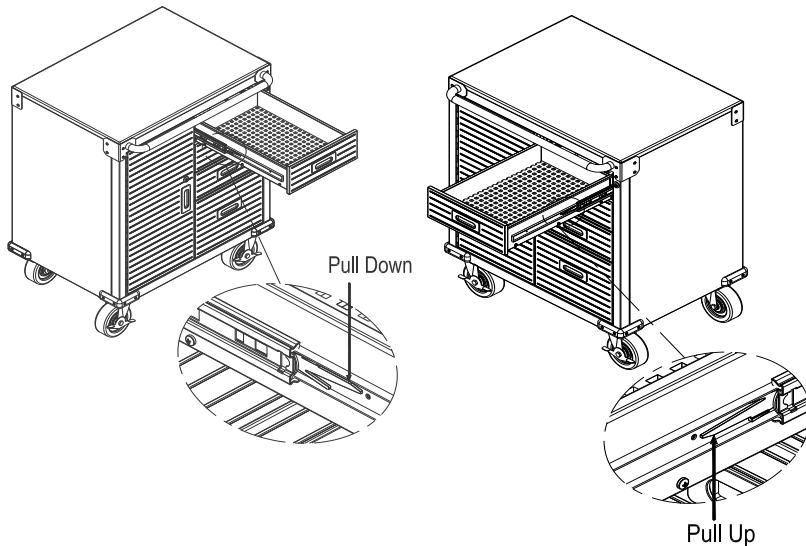
- Place the Middle Shelf (#9) into the cabinet and push down onto the Hooks (#23).



## Step 15. Install the Door (#8)

Attach the Door (#8) to the unit using Screw B (#21) to tighten.

**Note:** The screw holes on the door hinge have tolerance, enabling the door to be adjusted and centered in the door frame.



## Step 15. Place Drawer Mats (#16)

Place the Drawer Mats (#16) inside the Drawers.

### Stainless Steel Maintenance:

These parts have an UltraGuard® fingerprint resistant finish. Do not use traditional stainless steel cleaners on this unit. Lightly wipe off once a month with clean warm water and a soft cloth (preferably a microfiber cloth). This is the safest formula to prevent new stains from appearing over time and manage unwanted fingerprints or grease marks. Remember to always wipe in the direction of the surface grain (NEVER ACROSS) and always use a lint-free cloth. Once the surface is clean, thoroughly wipe dry with a soft absorbent cloth.

## CAUTION



**Only open one drawer at a time to avoid tipping. 40 lbs. maximum loading for each drawer.**

## CONTACT INFORMATION

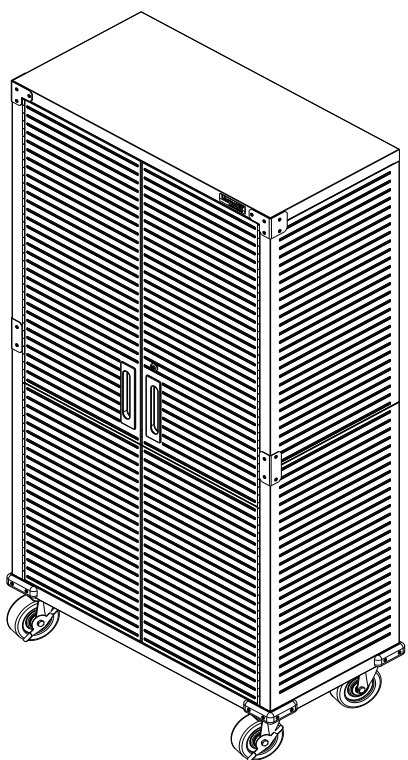
If you are missing any parts, have any questions, or need additional assistance in assembly, please contact our bilingual (English and Spanish) customer service department at:



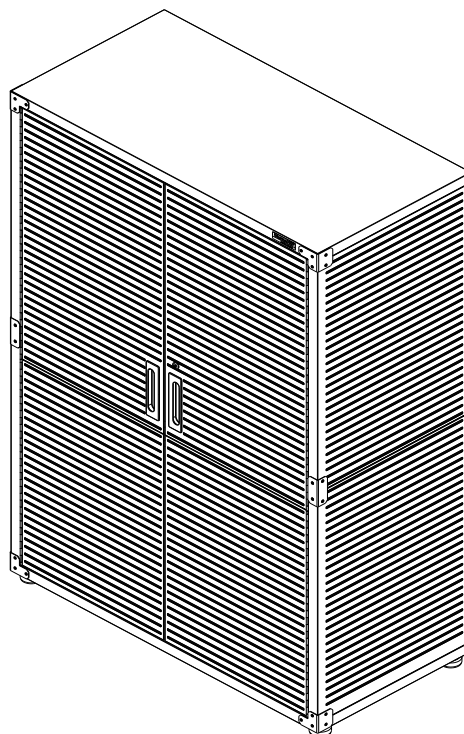
Seville Classics, Inc.  
19401 Harborgate Way Torrance, CA 90501 USA  
Telephone: (800) 323-5565 within USA  
Fax: (310) 533-3899  
Hours: 9:00am - 4:30pm (Pacific Standard Time)  
E-mail: [support@sevilleclassics.com](mailto:support@sevilleclassics.com)  
Website & Online Store: [www.sevilleclassics.com](http://www.sevilleclassics.com)

**\*\*\*Please visit our website or call and inquire about our additional UltraHD Line\*\*\***

## UltraHD® Line

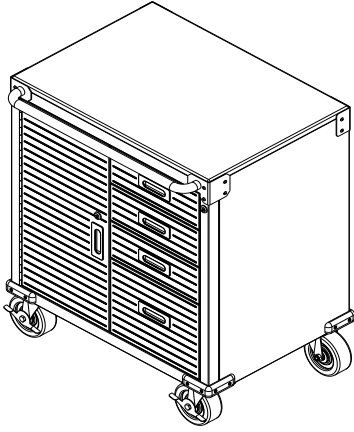


**UltraHD® Tall Storage Cabinet**  
Model No. 16236 (Granite)  
Model No. 20143 (Graphite)  
Model No. 20153 (Red)  
Model No. 20133 (White)

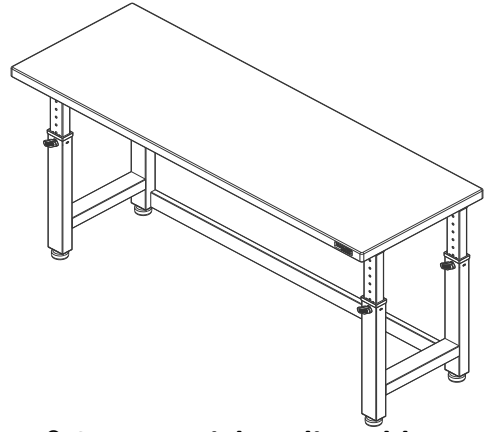


**UltraHD® Mega Storage Cabinet**  
Model No. 16238 (Granite)  
Model No. 20148 (Graphite)  
Model No. 20158 (Red)  
Model No. 20138 (White)

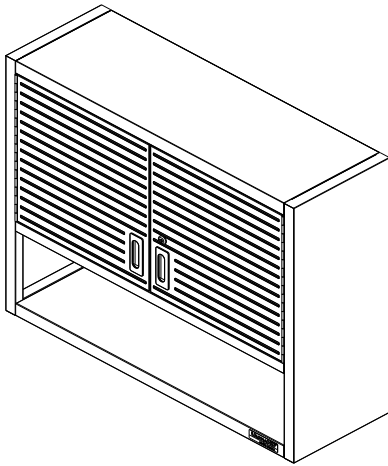
# UltraHD® Line



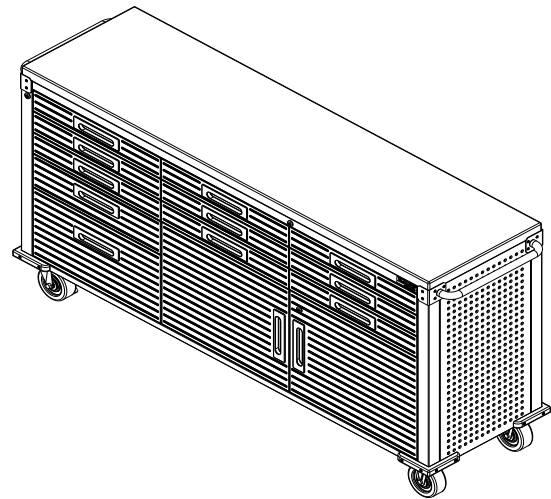
**UltraHD® 4-Drawer Rolling Cabinet**  
Model No. 20205 (Granite)  
Model No. 20252 (Graphite)  
Model No. 20258 (White)



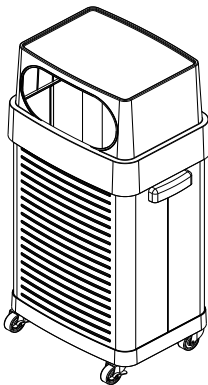
**UltraHD® 6-Foot Height Adjustable Workbench**  
Model No. 20292 (Granite)  
Model No. 20293 (Graphite)



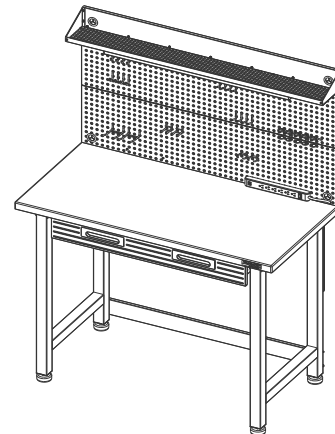
**UltraHD® Wall Cabinet with Open Shelf**  
Model No. 20230 (Granite)  
Model No. 20140 (Graphite)  
Model No. 20150 (Red)



**UltraHD® 2-Door Rolling Workbench**  
Model No. 20262 (Granite)  
Model No. 20142 (Graphite)  
Model No. 20152 (Red)



**UltraHD® Rolling Trash Bin**  
Model No. 20215



**UltraHD® Lighted Workcenter**  
Model No. 20247 (Granite)  
Model No. 20246 (Graphite)  
Model No. 20157 (Red)