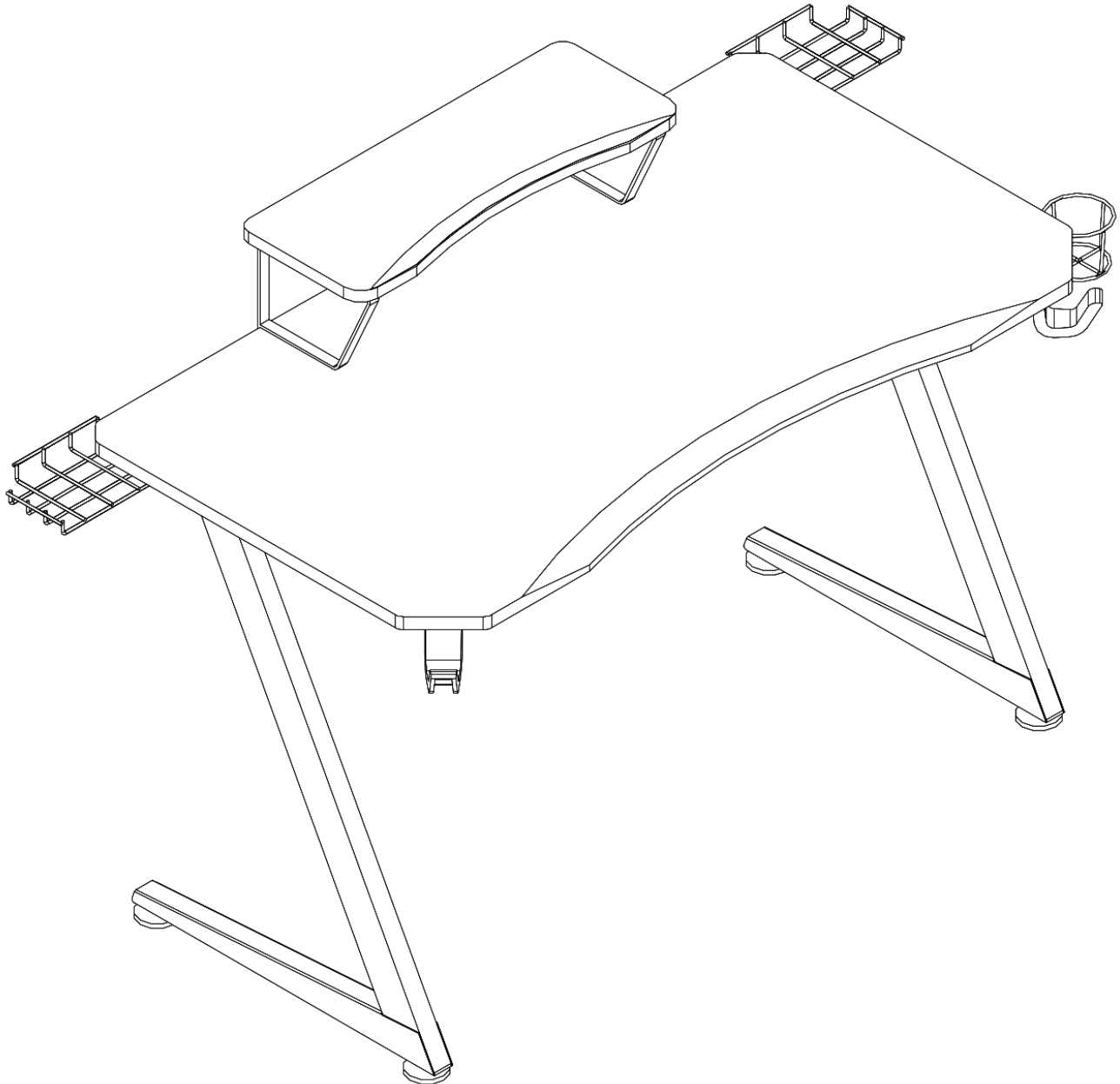




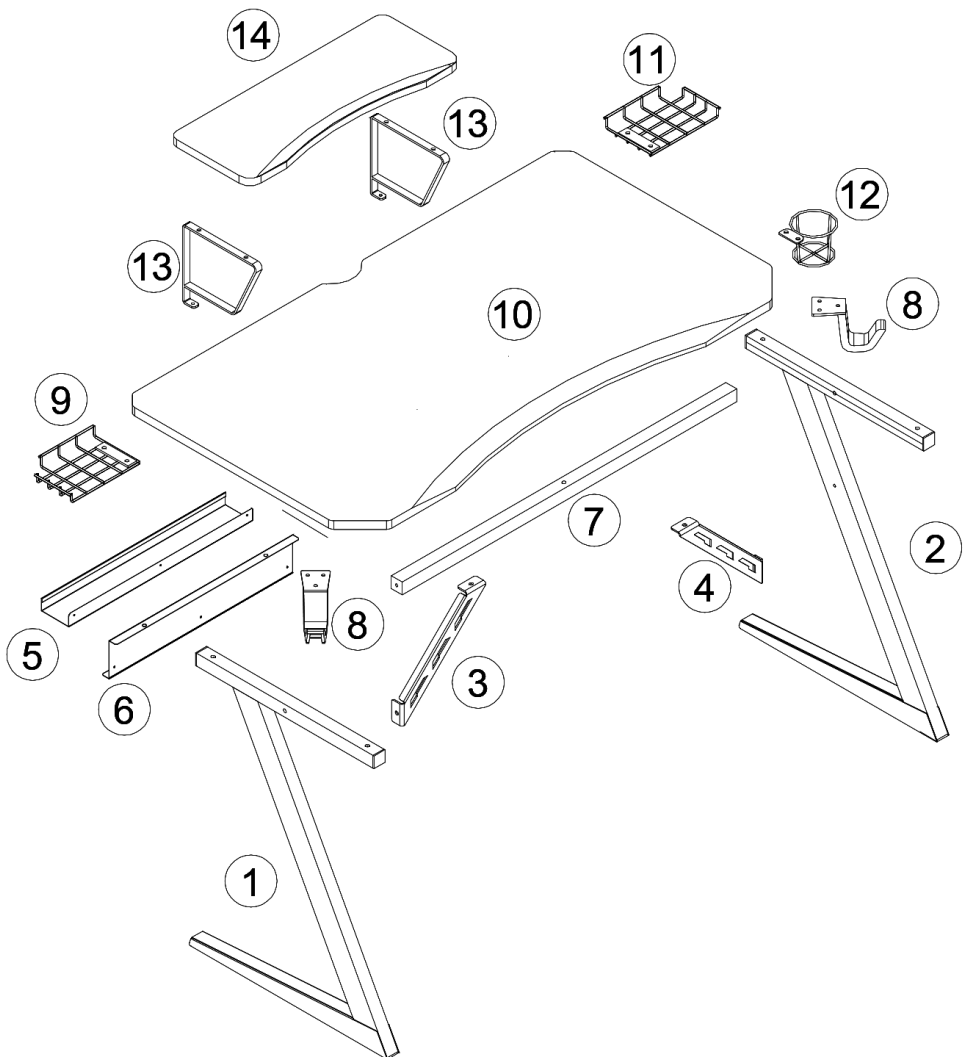
airLIFT Elite Gaming eSports Computer Desk



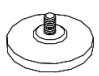


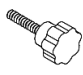





Model: OFFK66039

Thank you for choosing Seville Classics! We hope that you enjoy your computer gaming table! Please read through this user guide for parts list, assembly instructions, frequently asked questions and further contact information.

Parts List



1. Left Side Frame
2. Right Side Frame
3. Left Support
4. Right Support
5. Wire Tray Bottom
6. Wire Tray Back
7. Crossbar
8. Hanger Hook
9. Left Shelf
10. Desk Top
11. Right Shelf
12. Cup Holder
13. Riser Bracket
14. Riser Top

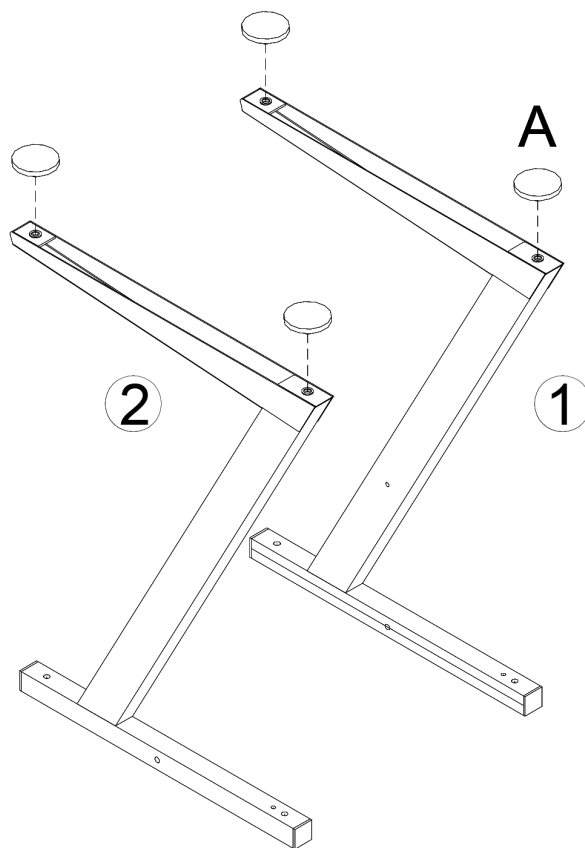
- | | | |
|--|---|---|
| A  Foot (4) | E  M6x40 Screw (5) | I  4 mm Hex Key |
| B  Clamp Knob (2) | F  M6x15 Screw (20) | |
| C  Clamp Pad (2) | G  M6x12 Screw (2) | |
| D  M6x45 Screw (2) | H  M4x8 Screw (3) | |

Please make sure you have all the parts on this list.

If you're missing parts, contact us for replacements at (800) 323-5565 or send an email to Support@SevilleClassics.com

Assembly Instructions

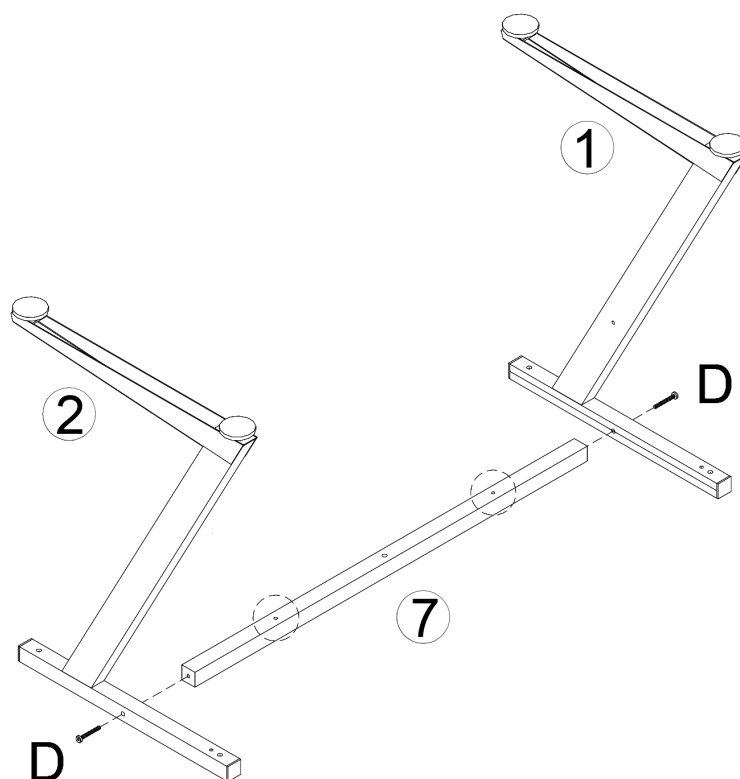
STEP 1. Screw **FEET (A)** into **SIDE FRAMES (1, 2)**. Holes on the inside of frames should face each other.



STEP 2.

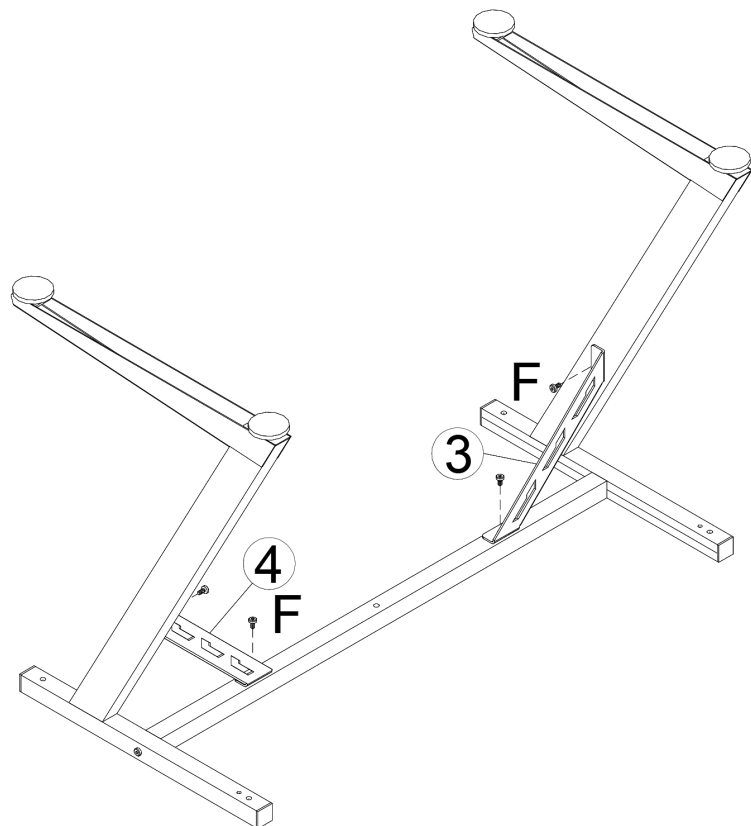
Use 4 mm hex key (I) to install all screws.

Connect **SIDE FRAMES (1,2)** at the top with **CROSSBAR (7)** using **M6x45 SCREWS (D)**.



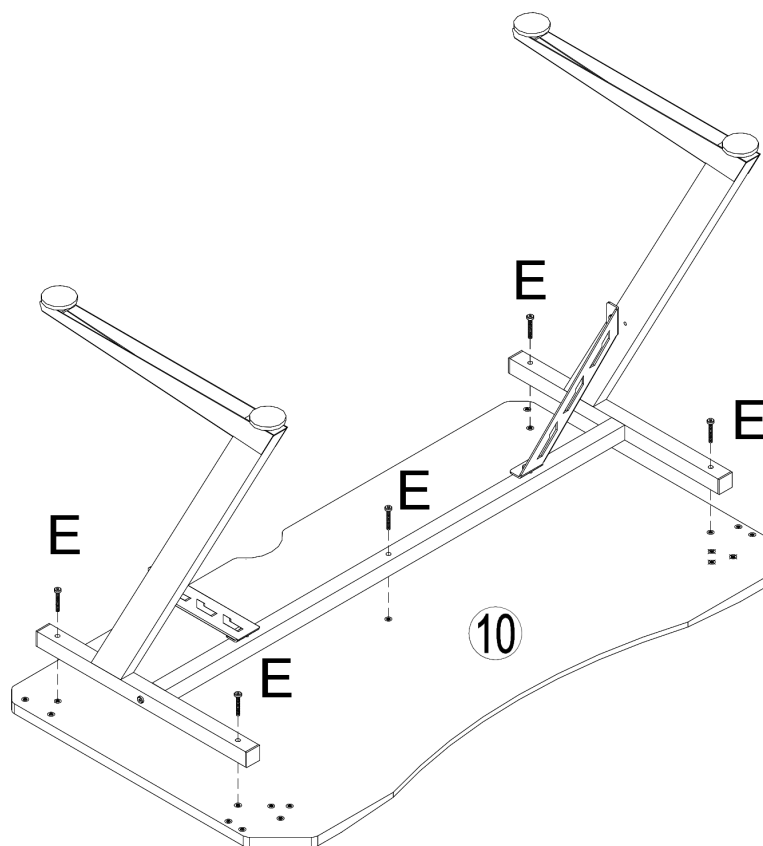
STEP 3.

Attach **LEFT** and **RIGHT SUPPORTS (3, 4)** to the **CROSSBAR (3)** and **SIDE FRAMES (1,2)** with **M6x15 SCREWS (F)**.



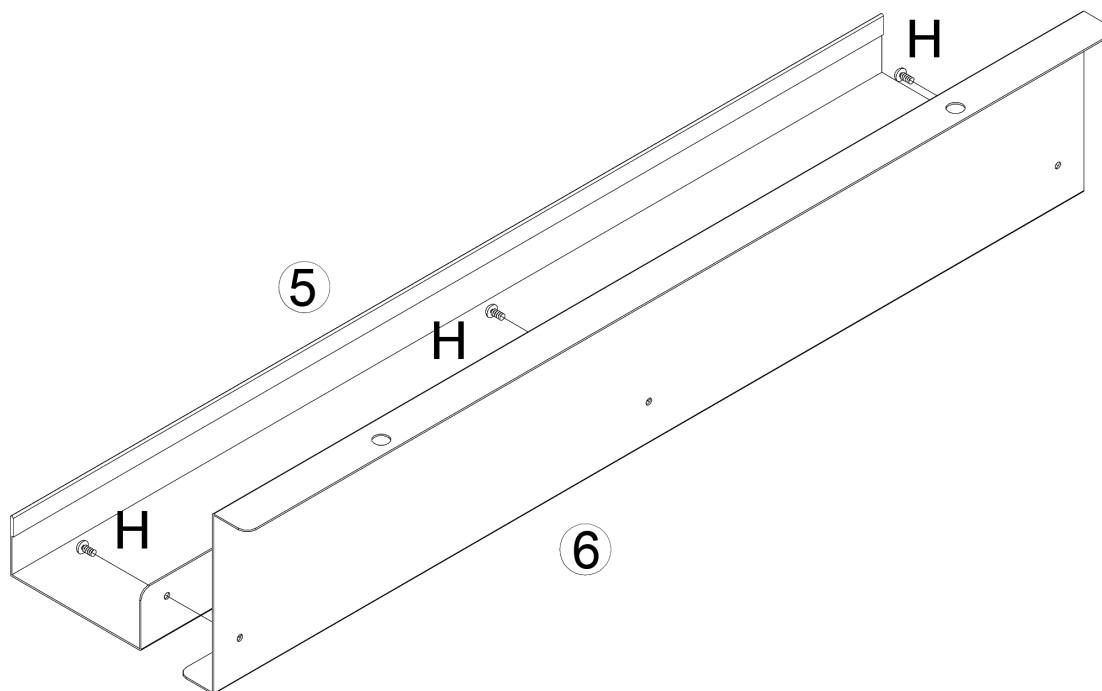
STEP 4.

Attach **DESK TOP (10)** to **SIDE FRAMES (1, 3)** with **M6x40 SCREWS (E)**.

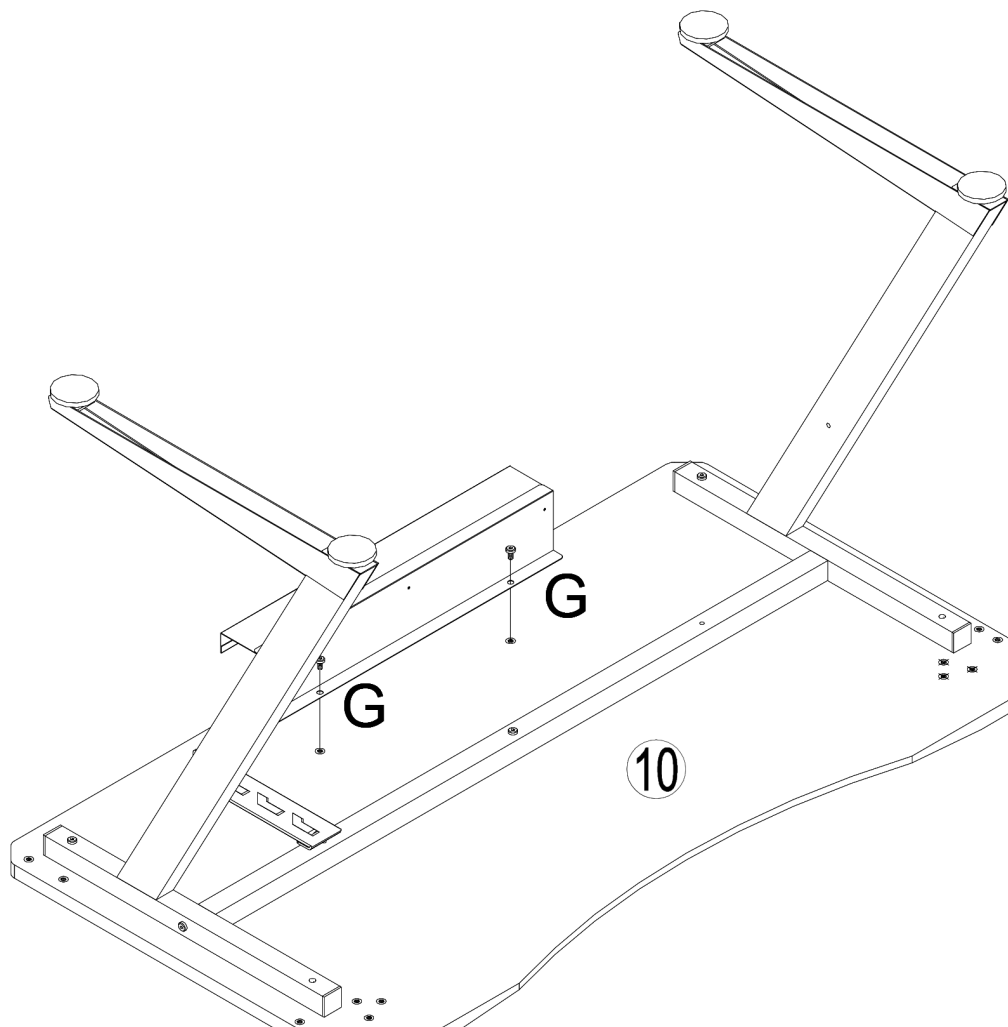


STEP 5.

Attach **WIRE TRAY BOTTOM (5)** to **WIRE TRAY BACK (6)** with **M4x8 SCREWS (H)**.

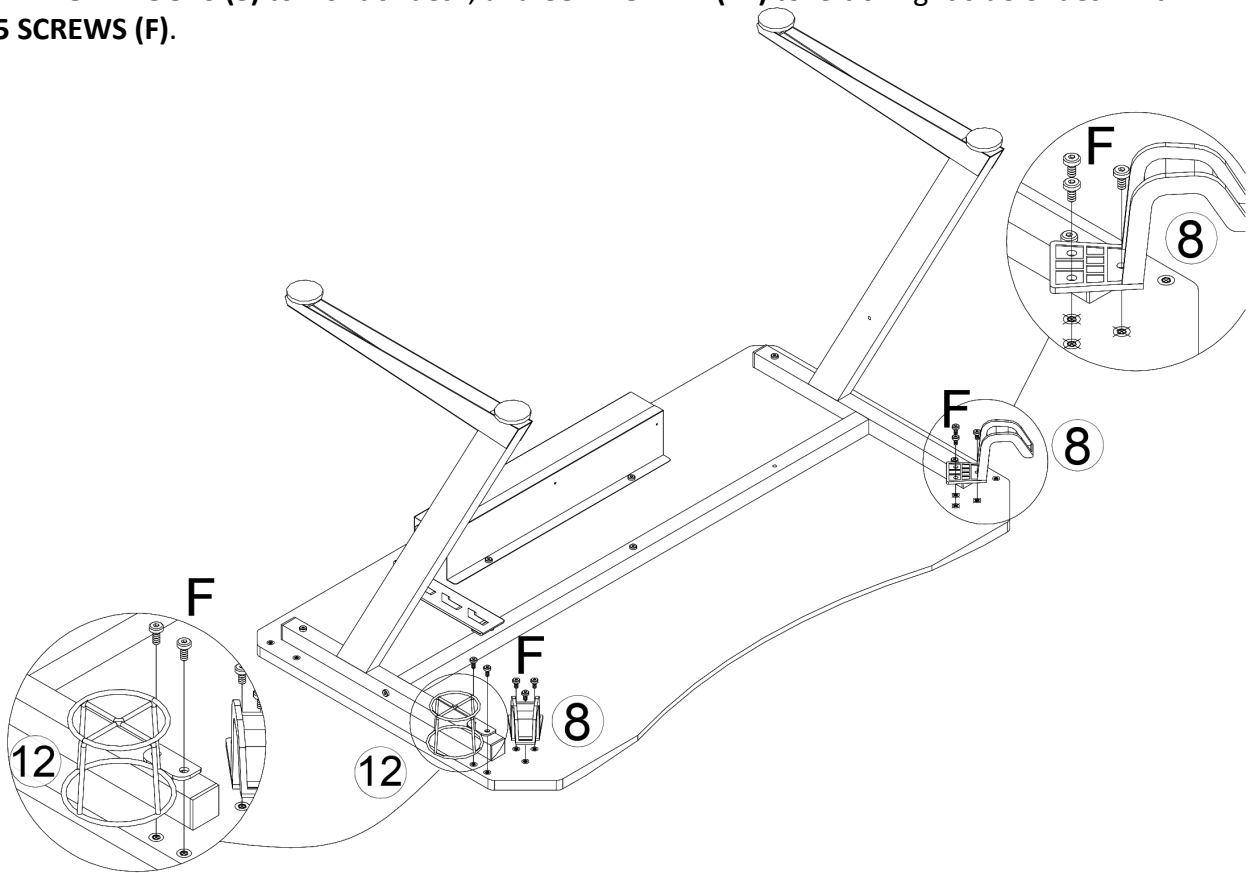


STEP 6. Attach **WIRE TRAY (5, 6)** to the rear of **DESK TOP (10)** with **M6x12 SCREWS (G)**.



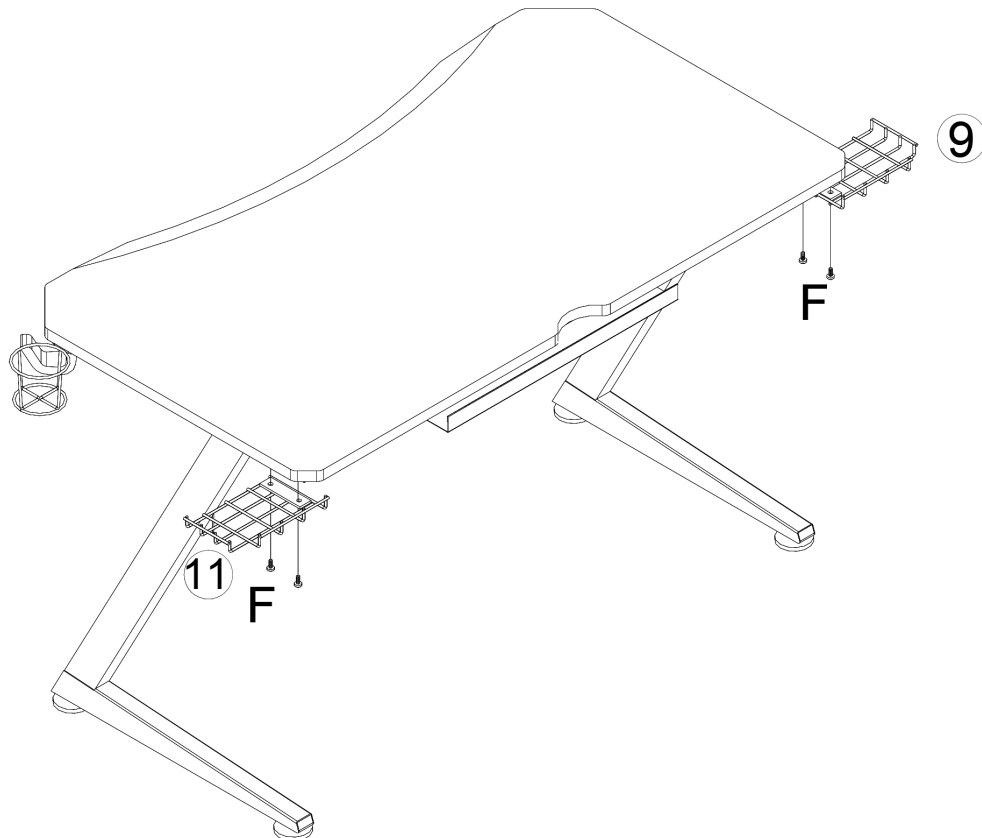
STEP 7.

Install **HANGER HOOKS (8)** to front of desk, and **CUP HOLDER (12)** to left or right side of desk with **M6x15 SCREWS (F)**.



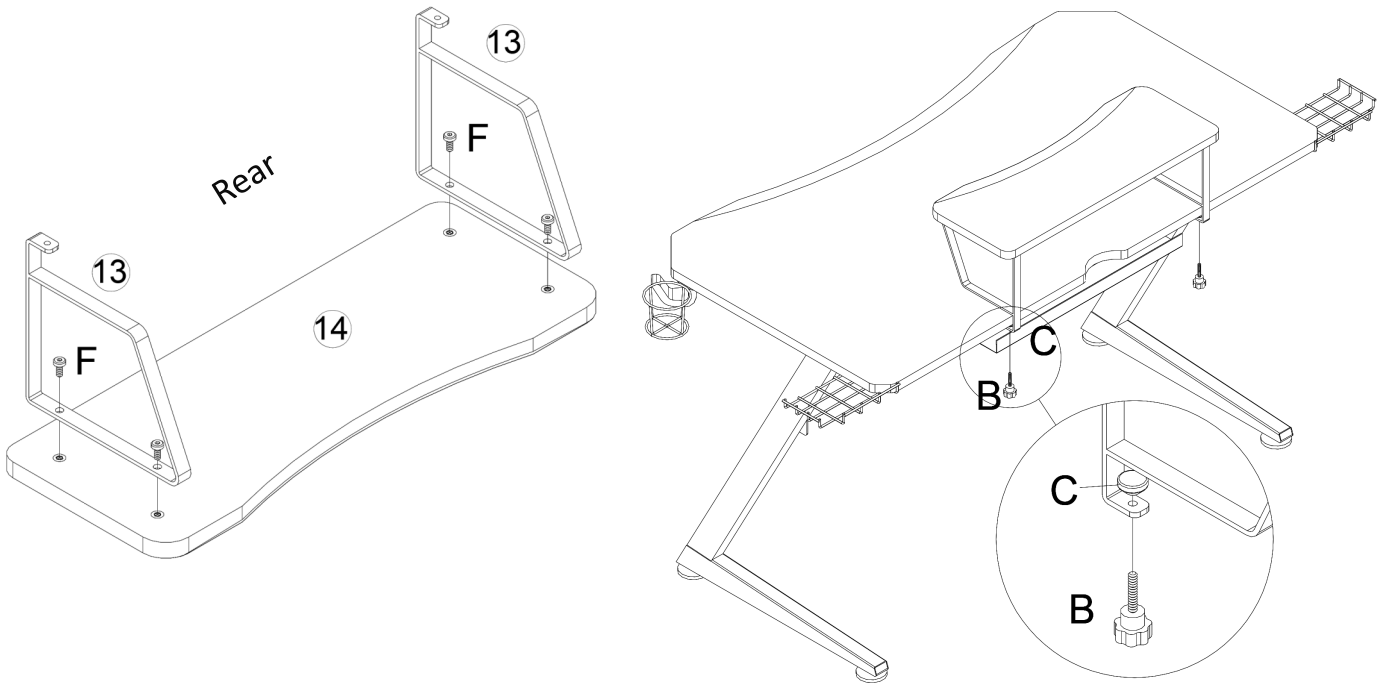
STEP 8.

Turn the desk onto its feet. Install **LEFT and RIGHT SHelves (9, 11)** with **M6x15 SCREWS (F)**.



STEP 9. Turn **RISER TOP (14)** upside down. Install **RISER BRACKETS (13)** with flat sides toward rear of riser top using **M6x15 SCREWS (F)**.

Screw **CLAMP KNOB (B)** through the hook on the **RISER BRACKETS (13)** into **CLAMP PAD (C)**. Fit the clamps over the rear of the desk, at your desired position. Twist the clamps knobs until tight.



Congratulations! Enjoy your new airLIFT Elite eSport Gaming Desk.

FAQS

Q. How thick is the desk top? Can I attach a gaming wheel to it?

A. Of course! The top is .8" thick and a perfect match for force-feedback racing wheels, joysticks, and other accessories.

Q. How big of a monitor can I fit on the riser?

A. The only limit is the size of the monitor base. The riser is 22.8" W x 8.7" D.

Q. How do I clean the top?

A. Spray with mild soap and wipe clean with a damp towel. The top is wrapped in pvc for durability and long-term use.

Q. How much weight can I put on the table top?

A. The desk holds up to 133 lbs. evenly distributed.

Q: How much weight can the hooks and shelves hold?

A: The shelves, cup holders, and hook can hold up to 6.6 lbs each. The monitor riser can hold up to 33 lbs.

Q: How big is the cup holder?

A: The cup holder is 4" wide. It's a perfect for bottles and large cups.

Specifications

Overall Dimensions: 47.2" x 25.6" x 29.5" H

Weight capacity: 136 lbs. (evenly distributed)

Weight: 52.8 lbs.

Customer Service Information

Telephone: (800) 323-5565

Fax: (310) 533-3899

Hours: 8:30 AM – 4:30 PM (PST)

Email: Support@SevilleClassics.com

Homepage: www.SevilleClassics.com