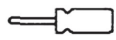


Mounting to Wall

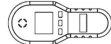
Recommended Tools (Not Included)



Phillips screwdriver



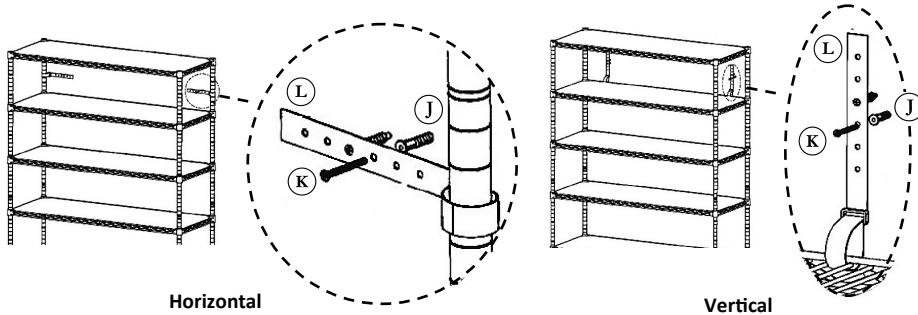
Power drill



Stud finder

Use a stud finder to locate studs when positioning shelving. Loop **STRAPS (L)** around rear poles (horizontal) or rear of upper shelves (vertical). Mark the installation points through the holes in the strap with a pencil before installing.

For safe mounting, secure wall straps to wood studs whenever possible. Avoid water or electric lines when securing shelf to wall.



Caution

Place heavier items on the lower shelves and lighter ones on the top. Do not stand or climb on the shelving system. Do not drop heavy items on the system. Do not move the system while loaded. Always check that wheels are screwed tight before moving. Replace worn or damaged wheels immediately.

Specifications

Dimensions: 60" W x 24" D x 72" H (76" H on wheels), 1" Pole Diameter

Weight capacity	Per shelf	Overall
On leveling feet	800 lbs. (362.8 kg)	3200 lbs. (1451.5 kg)
On wheels	200 lbs. (90.7 kg)	800 lbs. (362.8 kg)

Customer Service Information

Telephone: (800) 323-5565

Fax: (310) 533-3899

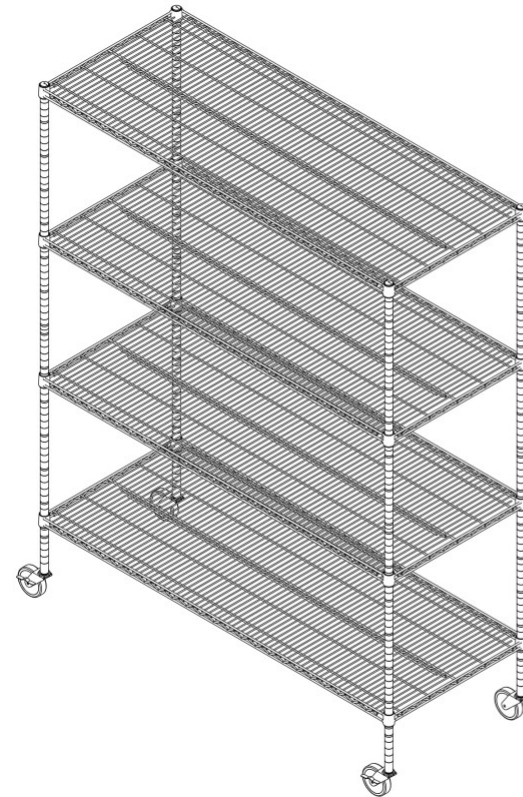
Hours: 8:30 AM – 4:30 PM (PST)

Email: Support@SevilleClassics.com

Homepage: www.SevilleClassics.com

MEGA SHELVING

4-Tier Commercial-Grade
Steel Wire Shelving
60" W x 24" D x 76" H

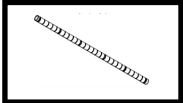
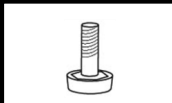
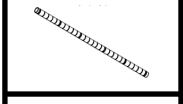
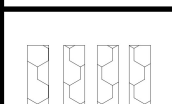
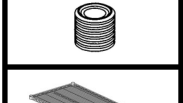
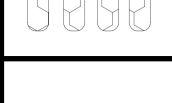
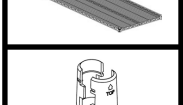
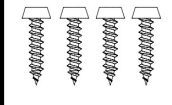
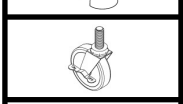

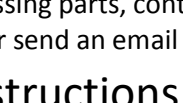


Model #: SHE24601/SHE24601B/SHE24611B

Thank you for choosing Seville Classics! We hope that you enjoy your commercial-grade steel wire shelving! Please read through this guide for parts list, assembly instructions and further contact information.

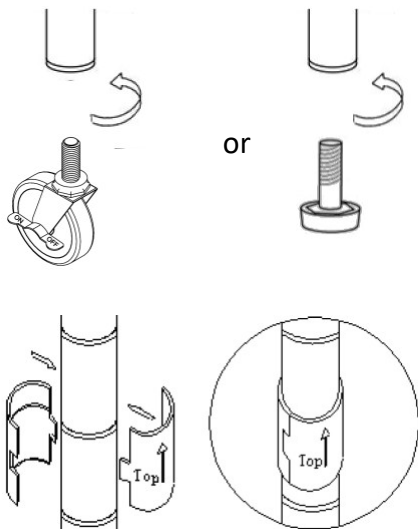
Parts List

Please make sure you have all the parts on this list.

A. Bottom poles (4) (Threaded end)		H. Leveling feet (4)	
B. Top poles (4) (Plastic cap on end)		J. Anchors (4)	
C. Connectors (4) (May be attached to poles)		K. Screws (4)	
D. Shelves (4)		L. Straps (2)	
E. Slip sleeves (16)			
F. Locking wheels (2)			
G. Wheels (2)			

If you're missing parts, contact us for replacements at (800) 323-5565 or send an email to Support@SevilleClassics.com

Assembly Instructions



STEP 1.

Screw **WHEELS (F,G)** into base of bottom poles until click is felt and heard. Or, screw **LEVELING FEET (H)** into poles until flush.

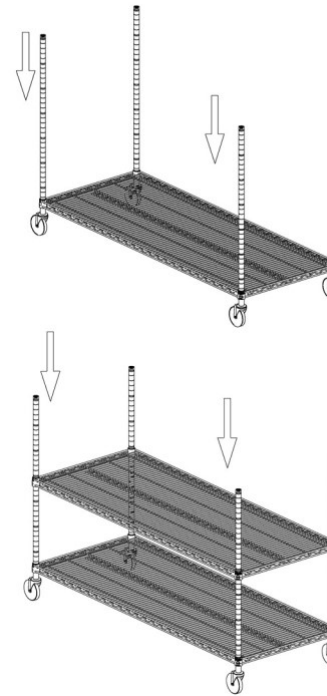
Repeat for all bottom poles.

STEP 2.

Snap **SLIP SLEEVES (E)** around the grooves on **BOTTOM POLES (A)** for your lowest shelf.

TIP! Count the number of grooves from the bottom of the pole to keep the height consistent.

2



STEP 3.

Fit **SHELF (D)** over the top of the 4 poles and over **SLIP SLEEVES (E)**.

Repeat **STEPS 2-3** for next shelf.

TIP! If necessary, lightly tap shelves into place with a rubber mallet.

STEP 4.

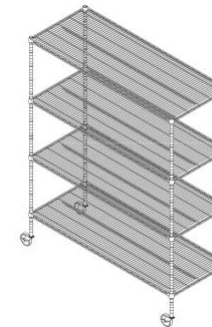
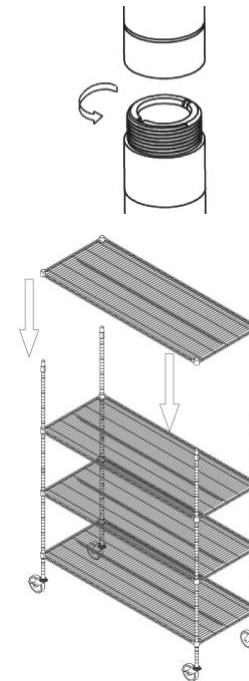
Screw **CONNECTORS (C)** into top of **BOTTOM POLES (A)**.

Screw **TOP POLES (B)** to **CONNECTORS (C)**.

TIP! Connectors may be pre-installed.

STEP 5.

Repeat **STEPS 2-3** for remaining shelves.



Congratulations!

Enjoy your now complete shelving unit.

3