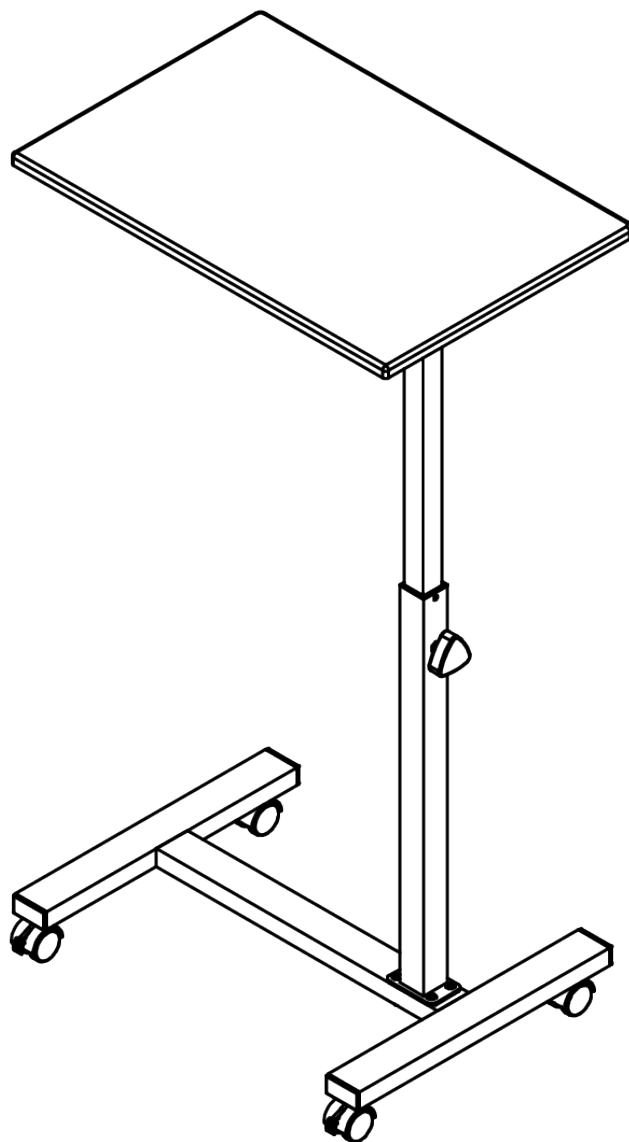




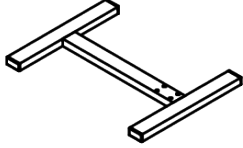
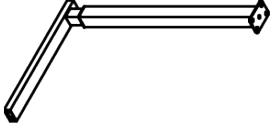
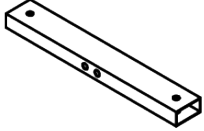
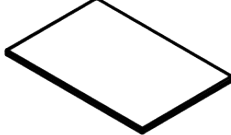
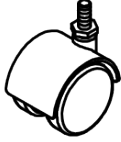


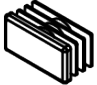
Overbed Height Adjustable Mobile Side Table Cart







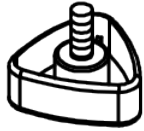




Model: OFF65939B / WEBK610

Thank you for choosing Seville Classics! We hope that you enjoy your mobile desk! Please read through this user guide for parts list, assembly instructions, frequently asked questions and further contact information.

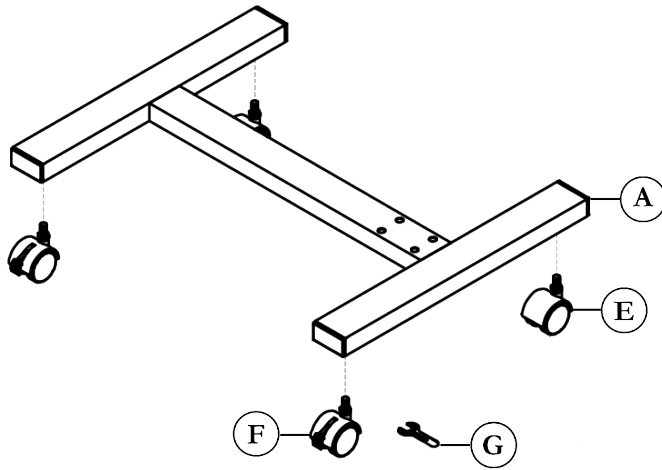
Parts List

A. Base (1)	
B. Neck (1)	
C. Top frames (2)	
D. Top (1)	
E. Casters (2)	
F. Locking casters (2)	
G. Large wrench (1)	
H. Caps (4)	

I. Long screw (4)	
J. Medium screw (4)	
K. Short screw (4)	
L. Washers (4)	
M. Nuts (4)	
N. Split washers (4)	
O. Knob (1)	
P. Small wrench (1)	
Q. Hex key (1)	

Please make sure you have all the parts on this list.

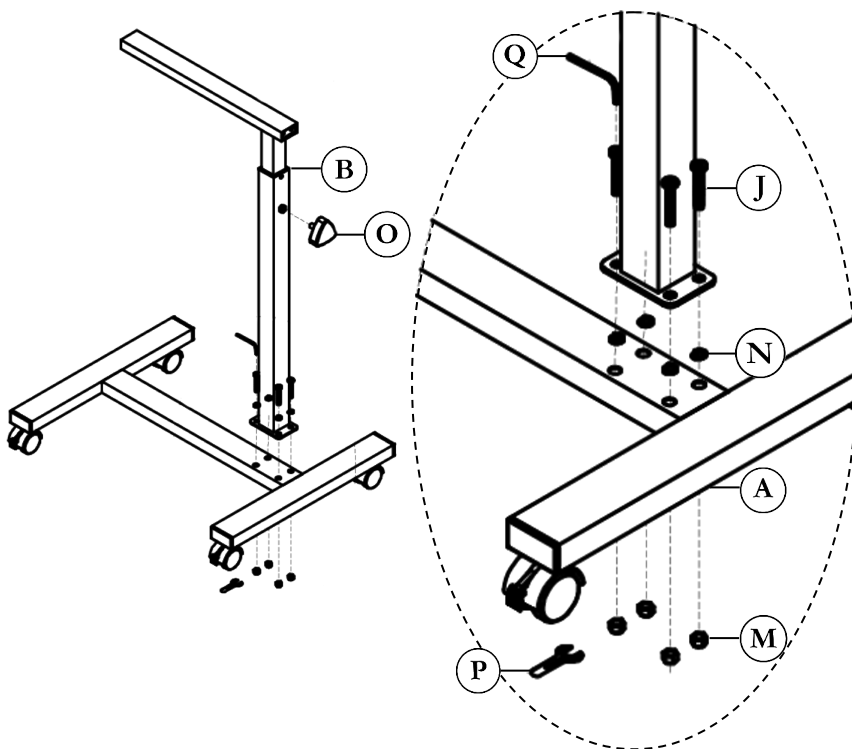
If you're missing parts, contact us for replacements at (800) 323-5565 or send an email to Support@SevilleClassics.com



STEP 1.

Attach pair of **LOCKING CASTERS (F)** to wide end of the **BASE (A)** using **LARGE WRENCH (G)**.

Attach pair of **CASTERS (E)** to other side of the **BASE (A)** the same way.



STEP 2.

Place **SPLIT WASHERS (N)** over holes on top of **BASE (A)**.

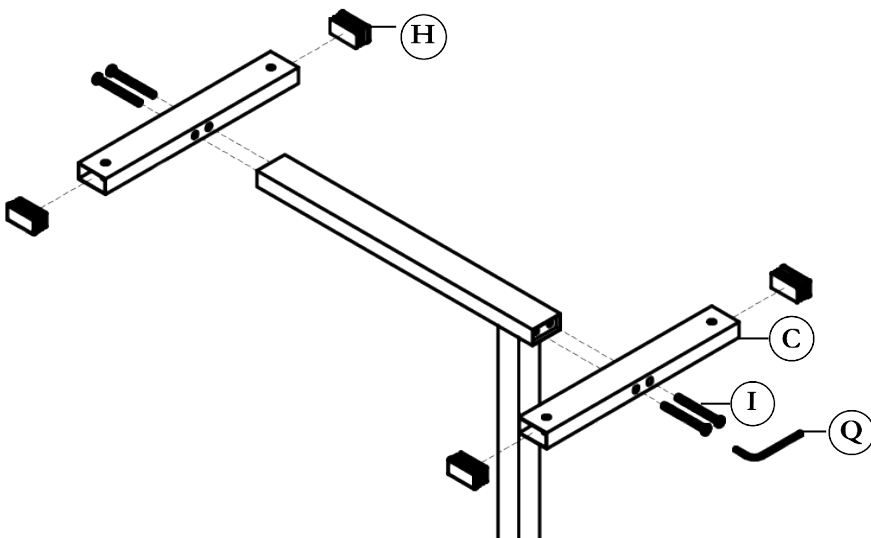
Align holes on bottom of **NECK (B)** with split washers and holes on base.

Fit **MEDIUM SCREWS (J)** through the bottom of neck, split washers and base.

Hold **MEDIUM SCREWS (J)** with the **HEX KEY (Q)** and fasten with **NUTS (M)** using **SMALL WRENCH (P)**.

Tighten until snug.

Screw **KNOB (O)** into side of **NECK (B)**.



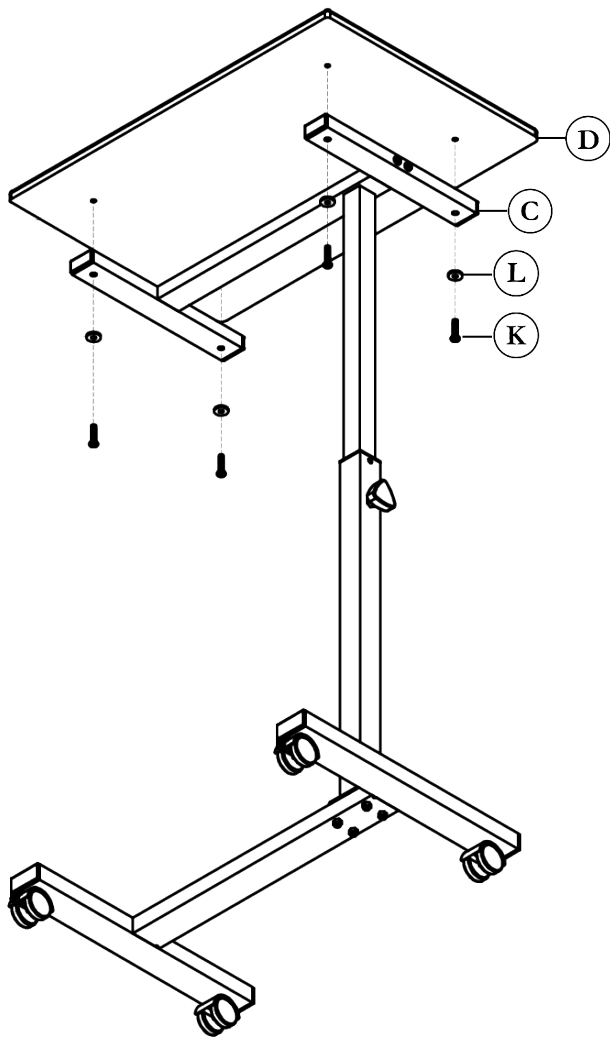
STEP 3.

Press **CAPS (H)** into open ends of both **TOP FRAMES (C)**.

Align holes of one **TOP FRAME (C)** with holes on side of **NECK (B)**. Attach with **LONG SCREWS (I)**.

Repeat for other **TOP FRAME (C)**.

Tighten with **HEX KEY (Q)** until snug.



STEP 4.

Carefully place **TOP (D)** onto the **TOP FRAMES (C)** and line up the screw holes.

Fit **WASHERS (L)** over the **SHORT SCREWS (K)**. Attach screws to **TOP (D)** through bottom of **TOP FRAMES (C)** and tighten with **HEX KEY (Q)**.

Congratulations!
**Enjoy your new Overbed
Laptop Desk Cart!**

Use Instructions

- Move desk into desired position and lock the front casters.
- Turn the tension knob counter-clockwise to unlock height adjustment.
- Place hands on both sides of the top and pull up to lift; press down to lower the height.
- Turn tension knob clockwise until snug to secure the table height.

Safety

DO NOT put more than 15 lbs. (evenly distributed) on the desk top.
Remove items from desktop when adjusting height.

Customer Service Information

Telephone: (800) 323-5565

Fax: (310) 533-3899

Hours: 8:30 AM – 4:30 PM (PST)

Email: Support@SevilleClassics.com

Homepage: www.SevilleClassics.com