

**Model
#6008**

Woodridge



**Assembly Requires
Two Moderately Skilled People
20 - 24 Hours.**

Accessories available at samsclub.com

Accessory Items On Back Cover

**If you need assistance with parts or have assembly questions, please call Customer Service
at 800-765-4138**

**Please read the entire instruction manual carefully before proceeding with the assembly or use of
your new gym set. SAVE THIS MANUAL for future reference in the event that you need to contact us
for assistance or replacement part information and ordering.**

YOUR WARRANTY

Leisure Time Products, Inc., provides a 5-year pro-rated limited warranty. See page 72 of this manual for details. We take great care to design our products with your child's safety in mind. However, only with careful supervision and proper safety instructions, can you be assured of safe play time on any product designed for children.

LEISURE TIME PRODUCTS

For Residential Use Only

IMPORTANT TIPS FOR ASSEMBLY

Prior to assembling your play product, take a thorough inventory of all components using the parts list enclosed in each box as you open them.

Sort and lay out all wood pieces, matching identical pieces into piles, for quick reference and identification.

Sort all hardware according to size. Refer to parts identification section. Selecting the wrong hardware during early assembly will lead to shortages. Finding extra hardware is not cause for alarm. We often include extra hardware in case parts are lost during assembly.

Selecting the correct location for your playset product is very important for your children's safety and for the play product's longevity. Your playset must be installed on **level ground**. Installation on sloping ground will cause your set to "lean" and, in time, this leaning will put stress on all the joints. This stress will cause the set to become loose and unstable. Once this occurs, it becomes difficult to correct, and Leisure Time Products, Inc. cannot assume responsibility for any failure from incorrect installation. Uneven ground must be properly leveled before installation.

Warping: Occasionally, some wooden components may twist or warp in the carton after packaging. This is not necessarily a cause for alarm. In most instances, these parts straighten out when assembled. Seasonal checking or cracking of the grain on wooden parts is also quite natural. Water and heat are the two most frequent causes of expansion and contraction of wood fibers.

We recommend that you apply a wood sealant or protectant at the time of

installation and at least once per year. There are many excellent products, such as Thompson's Waterseal, Behr Wood Conditioner, Olympic Water Guard or Olympic Wood Protector. Please check with your local home improvement center to see what they recommend for your area conditions. Proper care and maintenance will help maintain the beauty of the set as well as gain the maximum life of the unit.

Metal plates: The structural integrity of the play product is dependent upon the proper installation of the metal plates. As noted and diagramed in these assembly instructions, the installation of these metal plates must also be followed precisely. If your play set has end ladders or swing beam supports, make sure they are angled away from the top ladder or swing beam. If a play product has one or two climbing towers, the metal plates must be installed so that each climbing tower is perpendicular to the top ladder.

Ground stakes: Metal stakes are provided and are to be installed as outlined in the assembly manual. Cementing is required if you have loose or sandy soil or if you live in an area that is prone to high winds or severe storms. Cement ground stakes only, not the posts.

On site adult supervision is required at all times for children of all ages.

Ensure that suspended climbing ropes, chains or cables are kept tight enough so they cannot be looped back on themselves and are kept secure at both ends.

SEE PAGES 69 THRU 71 FOR MAINTENANCE TIPS

SAFETY AND ASSEMBLY INFORMATION

**FOR SAFETY'S SAKE,
PLEASE TAKE TIME TO READ ALL INSTRUCTIONS COMPLETELY
AND CAUTION YOUR CHILDREN ACCORDINGLY**

Caution for Your Children. Observing the following statements and warnings reduces the likelihood of serious or fatal injury.

- Instruct children not to attach items to the swing set that are not specifically designed for or made to use on the equipment (such as jump ropes, clotheslines, pet leashes, cables, or chains) as this could pose a strangulation hazard.
- Children should use equipment only in its intended manner.
- Children should sit in the center of the swings with their full weight on the seats. Only one child per swing.
- Children should NOT wear loose or stringed clothing or jewelry which can cause a potential danger of strangulation while using playground equipment.
- Children should NOT play on equipment in wet weather conditions due to potentially slippery surfaces.
- Children should NOT walk too closely in front of, behind, or between moving elements such as swings, trapezes and gliders.
- Children should NOT swing empty swing elements.
- Children should NOT jump off swings and/or trapeze while they are in motion. Nor should they jump from the upper decks – always use the ladders or slides.
- Children should NOT climb UP the slide because the slick surface could cause a fall and they should never slide down head first.
- Children should NOT twist swing chains or loop them over the top support beam because this will weaken and reduce the strength of the chain and possibly break them.
- Children should NOT climb on the top ladder when swing elements are in use.
- If your set has a Climbing Rope, the Climbing Rope must be attached securely at both ends in such a manor that it can not be looped back upon itself.

WARNING

Small components of your play center represent a choking hazard to children. Do not allow access to nuts, bolts, washers or other small parts. Tighten and inspect your play center frequently to avoid this danger.

Children must not use equipment until properly installed. Before using your play center, carefully read to any and all children who may use the play center the "safety rules" included in this booklet.

Play center modification is forbidden. Any modifications to your play center will affect its structural integrity and render the warranty null and void.

Caution! This play product will not be ready for a child's play until assembly procedures are complete, all hardware is tightened, all ground stakes are installed, and you, the responsible adult, are satisfied that the unit is secure and safe. At this time and always, review the "safety and general information - cautions for use" sections with each child using the play product.

SAFETY AND ASSEMBLY INFORMATION

Tools and Materials Required:

Claw Type Hammer

Framing Square or Level

Screwdriver (#2 Phillips)

Wrench, Sockets or Nut Drivers(9/16" & 1/2")

Drill Bits: 1/8", 3/16", 3/8" & 7/16"(High Speed)

10 ft. Tape Measure

10 ft. Step Ladder

Electric or Cordless Drill

Beeswax or Soap

(Used to lubricate screw threads)

**HAVING THE PROPER TOOLS ON HAND WILL EASE AND
REDUCE THE ASSEMBLY TIME OF YOUR NEW PLAYSET.**

Assembly Safety:

- Keep the work area clean and clear of obstructions.
- Children should stay out of the work area until the safe play area is cleared of obstacles, the gym set has been completely assembled, all hardware has been tightened and checked and all tools have been picked up.
- Keep children off the gym set until it has been completely assembled.
- Some parts of the assembly process may require help from another competent adult.
- Do not stand on the platform until the gym set has been completely assembled. Use a step ladder if you can not reach high enough.
- Follow the manufacturers' safety recommendations for the tools and equipment you use.
- **Avoid assembling your gym set in poor weather conditions.**
- **Wear proper clothing and safety equipment (safety glasses, boots and gloves) while assembling your gym set.**

**ALTHOUGH LEISURE TIME PRODUCTS, INC. READY-TO-ASSEMBLE PLAYSET IS STAINED
AT OUR FACTORY. A WATER PROTECTANT IS REQUIRED AT THE TIME OF INSTALLATION.**

**THE WOODEN PARTS FOR YOUR PLAYSET ARE MADE FROM
CYPRESS AND OTHER UNTREATED NATURALLY DECAY RESISTANT LUMBER,
WITH THE FOLLOWING, POSSIBLE EXCEPTIONS:**

POLYETHYLENE ENCASED POSTS:

*Some lumber inside the polyethylene encased posts MAYBE
subject to the following treatment*

Supplier: Greenwood International
3220 SW. 1st Ave
Portland, OR 97239

Preservative: Pacbor Treated (Disodium
Octaborate Tetrahydrate)

Retention level: .118 pcf

Wood species: Pine, White Fir, Cypress,
and/or Doug Fir

SAFETY AND ASSEMBLY INFORMATION

SELECTING THE CORRECT LOCATION FOR YOUR PLAY PRODUCT IS IMPORTANT FOR YOUR CHILDREN'S SAFETY AND THE PRODUCT'S LONGEVITY

Dimensions:

- The Woodridge has One layout option.
- | Layout | Ground Dimension | Safe Play Area* |
|--------|----------------------------|-----------------|
| | 25'-8" x 10'-7" x 12' high | 37'-8" x 22'-7" |

- *Level Ground Surface - See below
- Additional accessories may increase the size of the Safe Play Area.
- Max fall height 90"

General Information:

Your set has been designed and engineered for children only and for residential use only.
 A maximum of 150 lbs. per child is recommended for play activities designed for individual use.
 A maximum of 120 lbs. per child is recommended for play activities designed for multiple child use.
 A maximum of 9 children is recommended for this unit.

Safe Play Area:

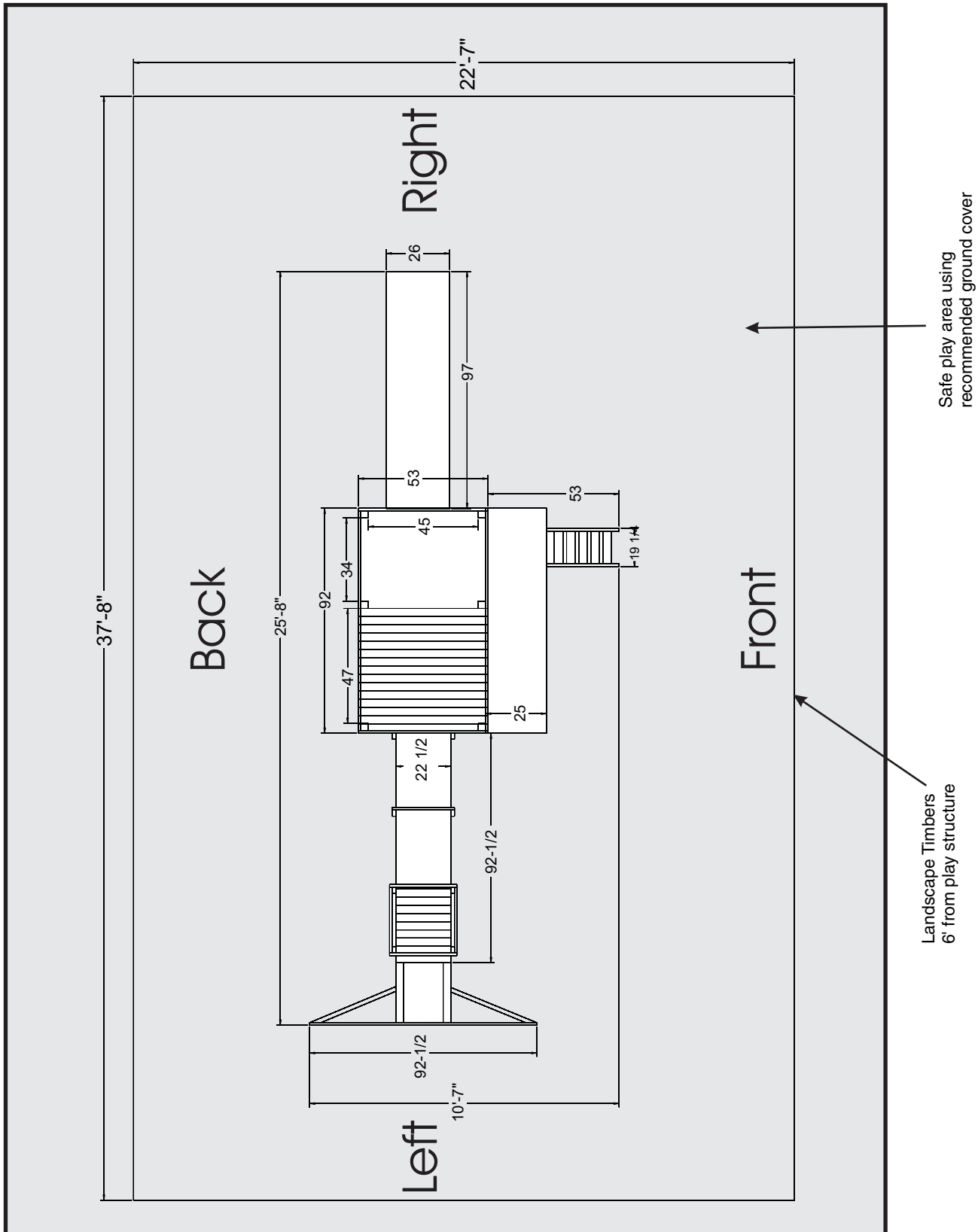
- The safe play area refers to a zone extending 6' beyond the gym set on all sides, including the space above the gym set.
- The ground surface **must be level**. Installing your gym set on sloping ground can cause it to lean or "rack". This leaning puts additional stress on all connections and joints and in time will cause those connections to loosen and fail.
- The safe play area must be free of all structures, landscaping, trees and branches, rocks, wires, and other obstacles to safe play. Children can be seriously injured running or swinging into these obstacles.
- Remove all tripping hazards from the safe play area. Tripping hazards include: roots, stumps, rocks, landscaping, sprinkler heads, railroad ties, plumbing and electrical connections.
- Set needs to be installed on solid ground for anchoring purposes
- Do not install your gym set over concrete, gravel, asphalt, packed earth or any other hard surface. The following is a list of recommended ground covers from the Consumer Product Safety Commission.

RECOMMENDED GROUND COVERS	
Suggested MaterialUncompressed Depth
Double Shredded Bark Mulch9"
Uniform Wood Chips12"
Fine Gravel12"
Fine Sand12"

A FALL ON TO A HARD SURFACE COULD RESULT IN SERIOUS INJURY

Any edging used to contain the ground must be beyond the safe play area.
 (Ex. Landscape timbers or railroad ties)

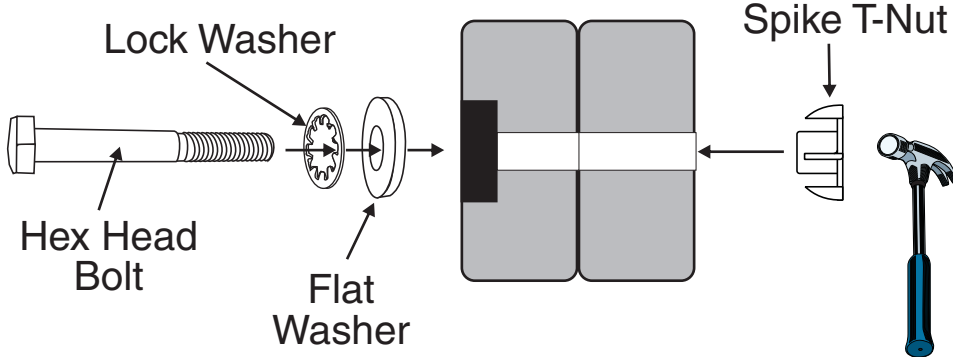
SAFE PLAY AREA DIAGRAMS



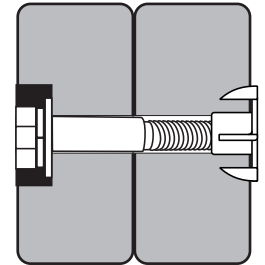
USING THE HARDWARE

LEISURE TIME PRODUCTS, INC. GYM SETS USE A FEW STANDARD CONNECTIONS. BECOMING FAMILIAR WITH THESE CONNECTIONS WILL SIMPLIFY ASSEMBLY AND INSURE A SAFER PLAY PRODUCT FOR YOUR CHILDREN.

How to use Hex Head Bolts and Spike T-Nuts



Correct Assembly



Bolt has been screwed securely into Spike T-Nut and the connection is tight.

Check connections periodically for tightness during the life of the Gym set.

Do not over tighten.

Check the positioning of parts in each Step's illustration, noting which of the parts should receive the Spike T-Nut. Place the Spike T-Nut in the hole and then seat it with one or two taps of a hammer. Align the holes in the parts to be fastened. Start preliminary tightening of bolt into seated nut by hand.

To **securely tighten**, turn the bolt with a wrench until the lock washer is fully compressed between the head of the bolt and the flat washer.

Note that in some steps the instructions say to tighten "**just snug**." This means to tighten the bolt just enough to keep the parts together, but loose enough to allow the parts to move. This is necessary to allow squaring and leveling. The bolt will be tightened securely in a following step.

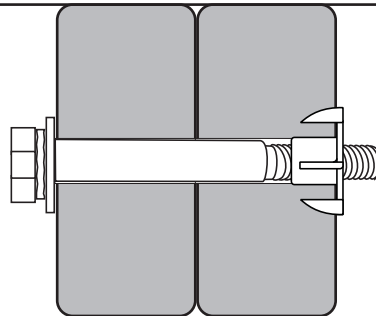
TIP: Tap the Spike T-Nut into the part before you position the part on the structure. If you put it in the wrong hole, remove it by inserting a bolt from the opposite side of the board and tapping the bolt lightly with a hammer.

TIP: Clean debris from holes if needed with drill bit or hardware.

TIP: Keeping pressure on head of bolt will help with assembly.

Incorrect Assembly

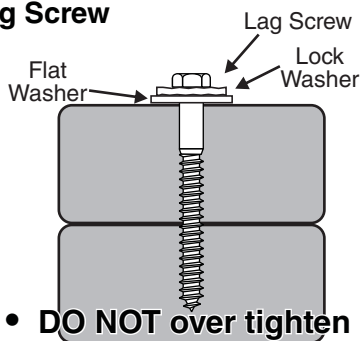
During assembly or maintenance, do not over tighten the bolts. Over tightening can cause the bolt to protrude past the spiked tee nut, which could cause personal injury. Over tightening can also cause the wood to be compressed or to "sink in" the bolt, washer or spiked tee nut. If this has happened, you may need to add additional washers or replace the bolt with a shorter one, so that the bolt does not protrude.



Failure to replace this bolt with a shorter one could result in personal injury.

Typical Installation -Lag Screw

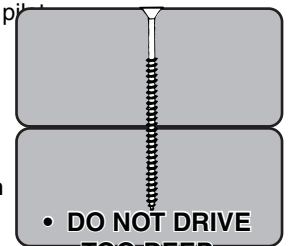
- Always drill pilot holes when using Lag Screws. The size of the pilot hole will be specified in the Step.
- Tap the head of the Lag Screw with a hammer to start the threads into the wood and then use a 1/2" socket to tighten.



• **DO NOT over tighten**

Typical Installation -Wood Screw:

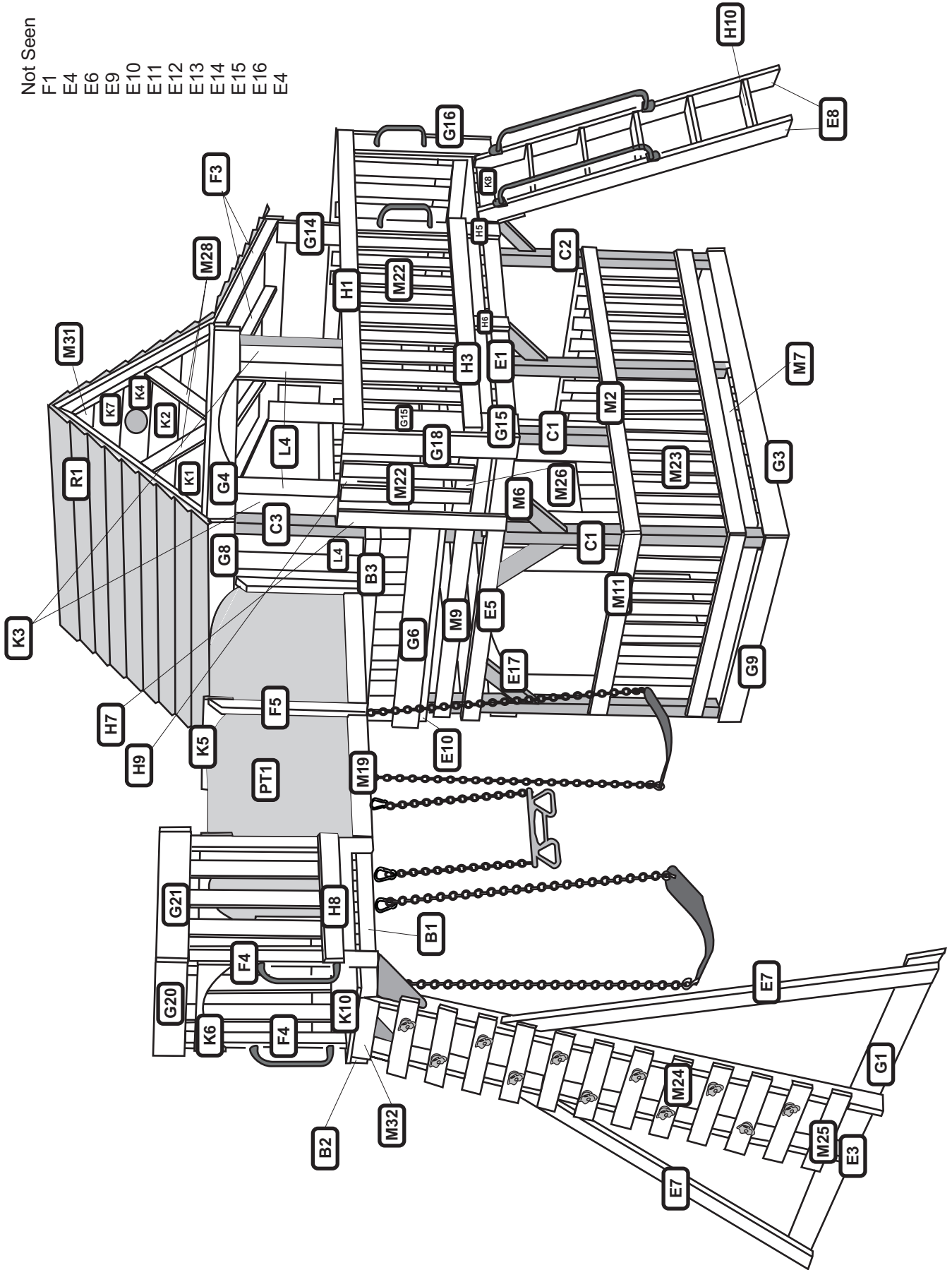
- Use an electric drill or screw gun to drive screws.
- These screws are self-tapping, so no pilot holes are required.
- Lubricate the threads of the screws with beeswax or soap to ease installation and minimize breaking screws.
- It is very important to make certain that the tops of all screws are flush with the surface of the wood and there are no protruding sharp edges.



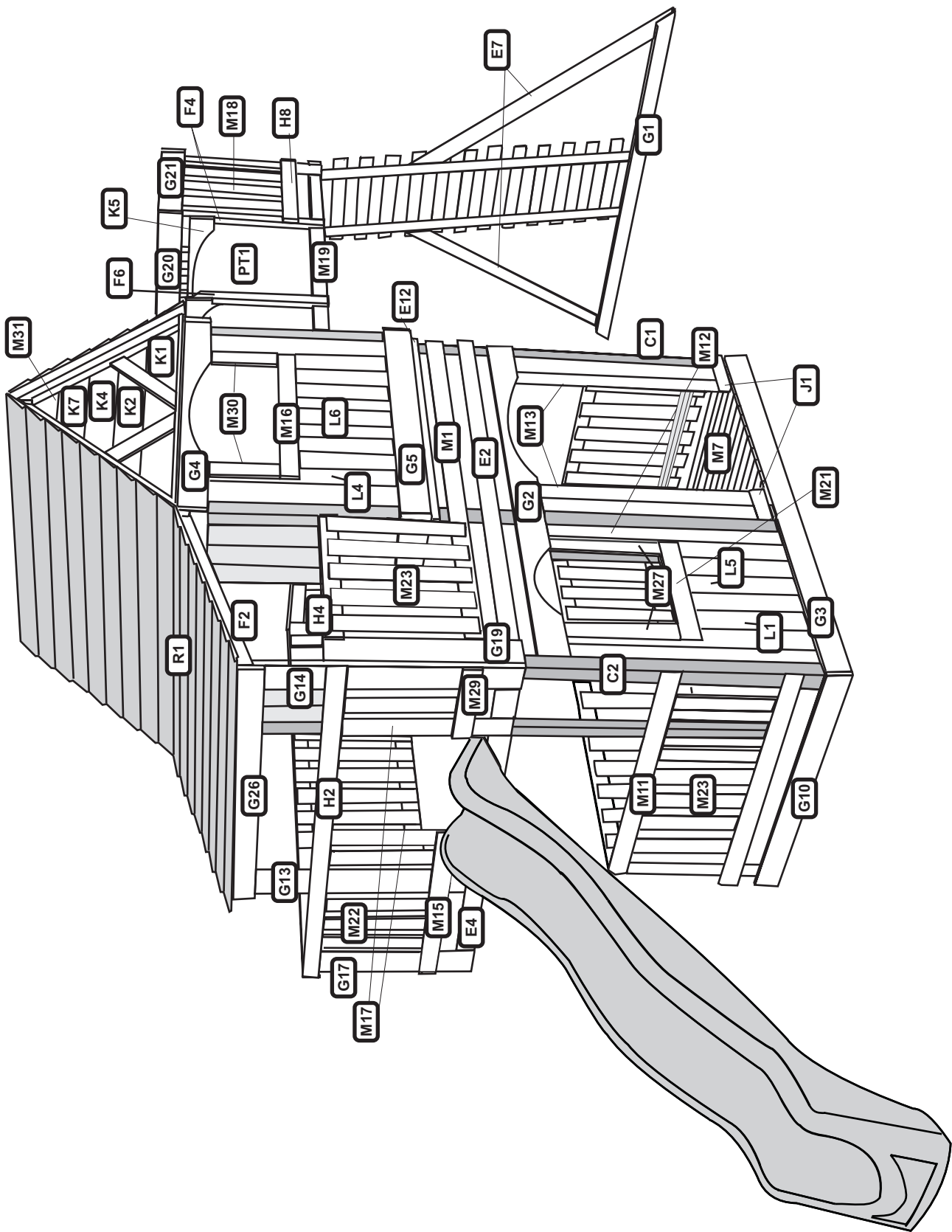
• **DO NOT DRIVE TOO DEEP AND CAUSE SPLINTERING**

Not Seen

- F1
- E4
- E6
- E9
- E10
- E11
- E12
- E13
- E14
- E15
- E16
- E4

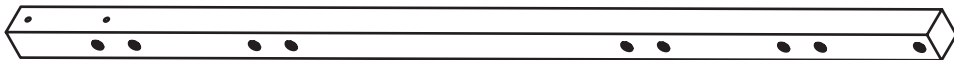


Page 7 - PART LOCATOR - FRONT

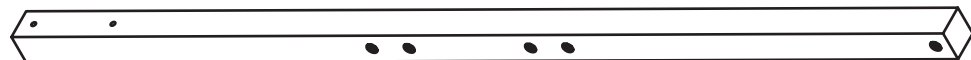


Page 8 - PART LOCATOR - BACK

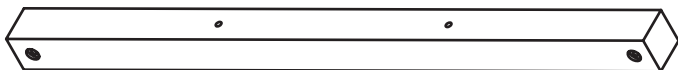
B1 * Tunnel Support Beam * 11 Holes * 1 Req
3 x 3 x 92-1/2 [7.62 x 7.62 x 234.95]



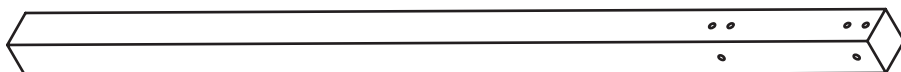
B2 * Tunnel Support Beam * 7 Holes * 1 Req
3 x 3 x 92-1/2 [7.62 x 7.62 x 234.95]



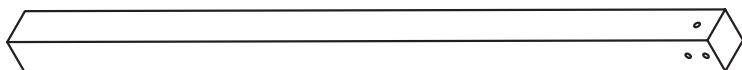
B3 * Tunnel Mounting Post * 4 Holes * 1 Req
3 x 3 x 54 [7.62 x 7.62 x 137.16]



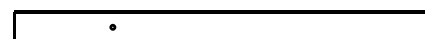
C1 * Plastic Coated Tower Leg * 6 Holes * 4 Req
3 x 3 x 70 [7.62 x 7.62 x 177.80]



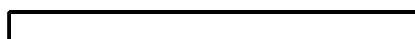
C2 * Plastic Coated Tower Leg * 3 Holes * 2 Req
3 x 3 x 59 [7.62 x 7.62 x 149.86]



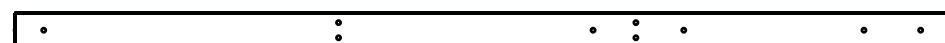
C3 * Plastic Coated Club House Post * 1 Holes * 2 Req
3 x 3 x 41 [7.62 x 7.62 x 104.14]



C4 * Plastic Coated Club House Post * No Holes * 2 Req
3 x 3 x 41 [7.62 x 7.62 x 104.14]



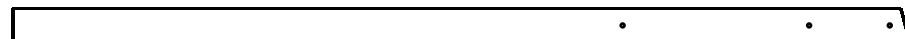
E1 * Floor Rail * 9 Holes * 1 Req
1-3/8 x 3-3/8 x 92-1/2 [3.49 x 8.57 x 234.95]



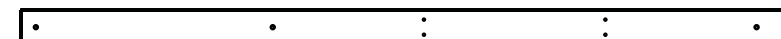
E2 * Floor Rail * 6 Holes * 1 Req
1-3/8 x 3-3/8 x 90 [3.49 x 8.57 x 228.60]



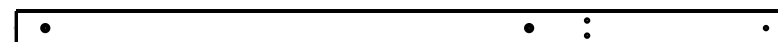
E3 * End Ladder Rail * 3 Holes * 2 Req
1-3/8 x 3-3/8 x 89 [3.49 x 8.57 x 226.06]



E4 * Floor Rail * 7 Holes * 1 Req
1-3/8 x 3-3/8 x 75-7/8 [3.49 x 8.57 x 192.72]



E5 * Floor Rail * 5 Holes * 1 Req
1-3/8 x 3-3/8 x 75-7/8 [3.49 x 8.57 x 192.72]



E6 * Floor Rail * 8 Holes * 1 Req
1-3/8 x 3-3/8 x 74-1/2 [3.49 x 8.57 x 189.23]



E7 * Long Angle Brace * 1 Holes * 2 Req
1-3/8 x 3-3/8 x 74-1/2 [3.49 x 8.57 x 189.23]



E8 * Entry Ladder Rail * No Holes * 1 Set Left & Right Req
1-3/8 x 3-3/8 x 65 [3.49 x 8.57 x 165.07]



E9 * Right Floor Rail * 10 Holes * 1 Req
1-3/8 x 3-3/8 x 53-3/4 [3.49 x 8.57 x 136.53]



E11 * Front Floor Rail * 6 Holes * 1 Req
1-3/8 x 3-3/8 x 53 [3.49 x 8.57 x 134.62]



E13 * Lower Floor Rail * 4 Holes * 1 Req
1-3/8 x 3-3/8 x 53 [3.49 x 8.57 x 134.62]



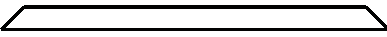
E15 * Floor Rail * 3 Holes * 1 Req
1-3/8 x 3-3/8 x 35-1/2 [3.49 x 8.57 x 90.17]



E17 * Short Angle Brace * 3 Holes * 5 Req
1-3/8 x 3-3/8 x 22 [3.49 x 8.57 x 55.88]



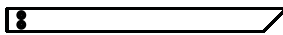
F2 * Rafter * No Holes * 8 Req
1-3/8 x 2-3/8 x 40-3/4 [3.49 x 6.03 x 103.51]



F4 * Tunnel Rail Support * 2 Holes * 4 Req
1-3/8 x 2-3/8 x 37 [3.49 x 6.03 x 93.98]



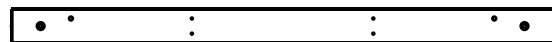
F6 * Back Tunnel Rail * 2 Holes * 1 Req
1-3/8 x 2-3/8 x 29 [3.49 x 6.03 x 73.66]



F8 * Back Tunnel Rail * 2 Holes * 1 Req
1-3/8 x 2-3/8 x 24-1/4 [3.49 x 6.03 x 61.60]



E10 * Left Floor Rail * 8 Holes * 1 Req
1-3/8 x 3-3/8 x 53-3/4 [3.49 x 8.57 x 136.53]



E12 * Back Floor Rail * 4 Holes * 1 Req
1-3/8 x 3-3/8 x 53 [3.49 x 8.57 x 134.62]



E14 * Floor Joist * No Holes * 2 Req
1-3/8 x 3-3/8 x 53 [3.49 x 8.57 x 134.62]



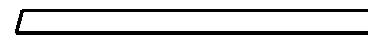
E16 * Floor Joist * No Holes * 2 Req
1-3/8 x 3-3/8 x 35-1/2 [3.49 x 8.57 x 90.17]



F1 * Roof Support * 11 Holes * 1 Req
1-3/8 x 2-3/8 x 56 [3.49 x 6.03 x 142.24]



F3 * Porch Rafter * No Holes * 4 Req
1-3/8 x 2-3/8 x 37-1/4 [3.49 x 6.03 x 94.62]



F5 * Front Tunnel Rail * 2 Holes * 1 Req
1-3/8 x 2-3/8 x 29 [3.49 x 6.03 x 73.66]



F7 * Front Tunnel Rail * 2 Holes * 1 Req
1-3/8 x 2-3/8 x 24-1/4 [3.49 x 6.03 x 61.60]



G1 * Ground Board * 6 Holes * 1 Req
 1 x 5-1/2 x 92-1/2 [2.54 x 13.97 x 234.95]



G2 * Sculptured Rail * 6 Holes * 1 Req
 1 x 5-1/2 x 90 [2.54 x 13.97 x 228.60]



G3 * Base Board * 6 Holes * 2 Req
 1 x 5-1/2 x 90 [2.54 x 13.97 x 228.60]



G4 * Sculptured Rail * 4 Holes * 2 Req
 1 x 5-1/2 x 56 [2.54 x 13.97 x 142.24]



G6 * Left Club House Rail * 4 Holes * 1 Req
 1 x 5-1/2 x 56 [2.54 x 13.97 x 142.24]



G8 * Tunnel Sculpture * 4 Holes * 1 Req
 1 x 5-1/2 x 56 [2.54 x 13.97 x 142.24]



G10 * Base Board * 4 Holes * 1 Req
 1 x 5-1/2 x 53 [2.54 x 13.97 x 134.62]



G12 * Bottom Floor Joist * No Holes * 1 Req
 1 x 5-1/2 x 49 [2.54 x 13.97 x 124.46]



G14 * Right Porch Support * 5 Holes * 1 Req
 1 x 5-1/2 x 43-1/2 [2.54 x 13.97 x 110.49]



G16 * Front Right Rail Corner * 5 Holes * 1 Req
 1 x 5-1/2 x 32 [2.54 x 13.97 x 81.28]



G5 * Back Club House Rail * 4 Holes * 1 Req
 1 x 5-1/2 x 56 [2.54 x 13.97 x 142.24]



G7 * Right Club House Rail * 7 Holes * 1 Req
 1 x 5-1/2 x 56 [2.54 x 13.97 x 142.24]



G9 * Base Board * 6 Holes * 1 Req
 1 x 5-1/2 x 53 [2.54 x 13.97 x 134.62]



G11 * Bottom Floor Rail * 6 Holes * 1 Req
 1 x 5-1/2 x 51 [2.54 x 13.97 x 129.54]



G13 * Left Porch Support * 6 Holes * 1 Req
 1 x 5-1/2 x 43-1/2 [2.54 x 13.97 x 110.49]



G15 * Front Left Rail Corner * 5 Holes * 1 Req
 1 x 5-1/2 x 32 [2.54 x 13.97 x 81.28]



G17 * Right Rail Corner * 3 Holes * 1 Req
 1 x 5-1/2 x 32 [2.54 x 13.97 x 81.28]



G18 * Left Rail Corner * 4 Holes * 1 Req
1 x 5-1/2 x 32 [2.54 x 13.97 x 81.28]



G20 * Crows Nest Rail * 4 Holes * 2 Req
1 x 5-1/2 x 27-1/2 [2.54 x 13.97 x 69.85]



G22 * Front Left Club House Rail * 3 Holes * 1 Req
1 x 5-1/2 x 13 [2.54 x 13.97 x 33.02]



G24 * Right Club House Rail - Left * 3 Holes * 1 Req
1 x 5-1/2 x 13 [2.54 x 13.97 x 33.02]



G26 * Porch Support Rail * 8 Holes * 1 Req
1 x 4-1/2 x 56 [2.54 x 11.43 x 142.24]

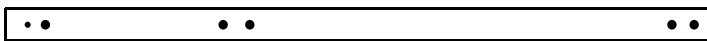


Note: 15° Bevel on this edge of board

H1 * Wall Rail * 6 Holes * 1 Req
1 x 3-1/2 x 92-1/2 [2.54 x 8.89 x 234.95]



H2 * Wall Rail * 6 Holes * 1 Req
1 x 3-1/2 x 79-1/2 [2.54 x 8.89 x 201.93]



H4 * Wall Rail * 3 Holes * 1 Req
1 x 3-1/2 x 37 [2.54 x 8.89 x 93.98]



H6 * Wall Board * 4 Holes * 1 Req
1 x 3-1/2 x 32 [2.54 x 8.89 x 81.28]



H8 * Tunnel Wall Rail * 4 Holes * 2 Req
1 x 3-1/2 x 26-3/4 [2.54 x 8.89 x 67.95]



H10 * Entry Ladder Step * No Holes * 5 Req
1 x 3-1/2 x 17-1/2 [2.54 x 8.89 x 44.45]



G19 * Back Rail Corner * 5 Holes * 1 Req
1 x 5-1/2 x 32 [2.54 x 13.97 x 81.28]



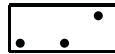
G21 * Crows Nest Rail * 4 Holes * 2 Req
1 x 5-1/2 x 26-3/4 [2.54 x 13.97 x 67.95]



G23 * Front Right Club House Rail * 3 Holes * 1 Req
1 x 5-1/2 x 13 [2.54 x 13.97 x 33.02]



G25 * Right Club House Rail - Right * 3 Holes * 1 Req
1 x 5-1/2 x 13 [2.54 x 13.97 x 33.02]



G27 * Bench Seat * 4 Holes * 1 Req
1 x 5-1/2 x 49-3/4 [2.54 x 13.97 x 126.37]



H3 * Wall Rail * 4 Holes * 1 Req
1 x 3-1/2 x 63-1/2 [2.54 x 8.89 x 161.29]



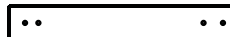
H5 * Wall Board * 6 Holes * 1 Req
1 x 3-1/2 x 32 [2.54 x 8.89 x 81.28]



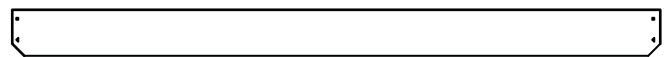
H7 * Wall Board * 4 Holes * 1 Req
1 x 3-1/2 x 32 [2.54 x 8.89 x 81.28]



H9 * Top Wall Rail * 4 Holes * 1 Req
1 x 3-1/2 x 23-1/2 [2.54 x 8.89 x 59.69]



H11 * Bench Seat * 4 Holes * 1 Req
1 x 3-1/2 x 49-3/4 [2.54 x 8.89 x 126.37]



H12 * Bench Seat Support * No Holes * 4 Req
1 x 3-1/2 x 6 [2.54 x 8.89 x 15.24]



K1 * Gable Board * 4 Holes * 2 Req
11/16 x 5-1/2 x 56 [1.74 x 13.97 x 142.24]



K3 * Club House Wall Board * 4 Holes * 4 Req
11/16 x 5-1/2 x 41 [1.74 x 13.97 x 104.14]



K5 * Tunnel Arch * 4 Holes * 2 Req
11/16 x 5-1/2 x 25-1/2 [1.74 x 13.97 x 64.77]



K7 * Gable Board * 4 Holes * 2 Req
11/16 x 5-1/2 x 23 [1.74 x 13.97 x 58.42]



K9 * Tunnel Entrance Arch * 4 Holes * 1 Req
11/16 x 5-1/2 x 18 [1.74 x 13.97 x 45.72]



K11 * Tunnel Floor Board * 4 Holes * 1 Req
11/16 x 5-1/2 x 22-1/2 [1.74 x 13.97 x 57.15]



L2 * Bottom Wall Board * 4 Holes * 2 Req
11/16 x 4-1/2 x 46 [1.74 x 11.43 x 116.84]



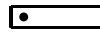
L4 * Club House Wall Board * 4 Holes * 12 Req
11/16 x 4-1/2 x 41 [1.74 x 11.43 x 104.14]



L6 * Club House Wall Board * 4 Holes * 5 Req
11/16 x 4-1/2 x 23 [1.74 x 11.43 x 58.42]



J1 * Bottom Wall Rail * 1 Holes * 2 Req
1 x 2-1/2 x 11 [2.54 x 6.35 x 27.94]



K2 * Gable Board * 4 Holes * 2 Req
11/16 x 5-1/2 x 45 [1.74 x 13.97 x 114.30]



K4 * Gable Board * 4 Holes * 2 Req
11/16 x 5-1/2 x 34 [1.74 x 13.97 x 86.36]



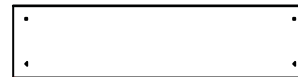
K6 * Crows Nest Arch * 4 Holes * 1 Req
11/16 x 5-1/2 x 25-1/2 [1.74 x 13.97 x 64.77]



K8 * Entry Ladder Back * 4 Holes * 1 Req
11/16 x 5-1/2 x 19-3/8 [1.74 x 13.97 x 49.21]



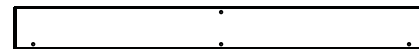
K10 * Tunnel Floor Board * 4 Holes * 1 Req
11/16 x 5-1/2 x 22-1/2 [1.74 x 13.97 x 57.15]



L1 * Bottom Wall Board * 4 Holes * 2 Req
11/16 x 4-1/2 x 50 [1.74 x 11.43 x 127.00]



L3 * Bottom Floor Board * 4 Holes * 1 Req
11/16 x 4-1/2 x 45 [1.74 x 11.43 x 114.30]



L5 * Bottom Wall Board * 4 Holes * 4 Req
11/16 x 4-1/2 x 28 [1.74 x 11.43 x 71.12]



L7 * Tunnel Floor Board * 4 Holes * 18 Req
11/16 x 4-1/2 x 22-1/2 [1.74 x 11.43 x 57.15]



L9 * Club House Wall Board * 4 Holes * 4 Req
11/16 x 4-1/2 x 14-1/4 [1.74 x 11.43 x 36.20]



M1 * Wall Rail * 5 Holes * 1 Req
11/16 x 3-3/8 x 91-1/2 [1.74 x 8.57 x 232.41]



M2 * Bottom Wall Rail * 6 Holes * 2 Req
11/16 x 3-3/8 x 90 [1.74 x 8.57 x 228.60]



M3 * Upper Floor Board * 8 Holes * 11 Req
11/16 x 3-3/8 x 77-1/4 [1.74 x 8.57 x 196.22]



M5 * Roof Cap * 8 Holes * 2 Req
11/16 x 3-3/8 x 57 [1.74 x 8.57 x 144.78]



M7 * Bottom Floor Board * 5 Holes * 13 Req
11/16 x 3-3/8 x 53 [1.74 x 8.57 x 134.62]



M9 * Floor Spacer * 4 Holes * 1 Req
11/16 x 3-3/8 x 52-1/2 [1.74 x 8.57 x 133.35]



M11 * Bottom Wall Rail * 4 Holes * 5 Req
11/16 x 3-3/8 x 51-3/4 [1.74 x 8.57 x 131.45]



M13 * Bottom Wall Board * 4 Holes * 2 Req
11/16 x 3-3/8 x 46 [1.74 x 8.57 x 116.84]



M15 * Wall Rail * 6 Holes * 1 Req
11/16 x 3-3/8 x 39-1/2 [1.74 x 8.57 x 100.33]



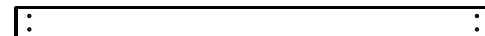
M4 * Ridge Support * 11 Holes * 2 Req
11/16 x 3-3/8 x 57 [1.74 x 8.57 x 144.78]



M6 * Upper Floor Board * 6 Holes * 16 Req
11/16 x 3-3/8 x 53-3/4 [1.74 x 8.57 x 136.53]



M8 * Floor Spacer * 4 Holes * 1 Req
11/16 x 3-3/8 x 53 [1.74 x 8.57 x 134.62]



M10 * Wall Cap * No Holes * 2 Req
11/16 x 3-3/8 x 52 [1.74 x 8.57 x 132.08]



M12 * Bottom Wall Board * 4 Holes * 2 Req
11/16 x 3-3/8 x 50 [1.74 x 8.57 x 127.00]



M14 * Club House Wall Board * 4 Holes * 2 Req
11/16 x 3-3/8 x 41 [1.74 x 8.57 x 104.14]



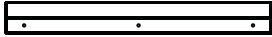
M16 * Window Trim * No Holes * 1 Req
11/16 x 3-3/8 x 37 [1.74 x 8.57 x 93.98]



M17 * Wall Board * 4 Holes * 2 Req
11/16 x 3-3/8 x 32 [1.74 x 8.57 x 81.28]



M19 * Tunnel Support Board * 3 Holes * 4 Req
11/16 x 3-3/8 x 29-1/8 [1.74 x 8.57 x 73.98]



M21 * Window Trim * No Holes * 1 Req
11/16 x 3-3/8 x 25 [1.74 x 8.57 x 63.50]



M23 * Wall Board * 4 Holes * 28 Req
11/16 x 3-3/8 x 23 [1.74 x 8.57 x 58.42]



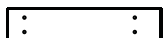
M25 * End Ladder Step * 4 Holes * 1 Req
11/16 x 3-3/8 x 22-1/2 [1.74 x 8.57 x 57.15]



M27 * Window Trim * No Holes * 2 Req
11/16 x 3-3/8 x 19-1/2 [1.74 x 8.57 x 49.53]



M29 * Wall Rail * 4 Holes * 1 Req
11/16 x 3-3/8 x 16 [1.74 x 8.57 x 40.64]



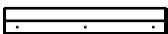
M31 * Gable Board * 4 Holes * 2 Req
11/16 x 3-3/8 x 12 [1.74 x 8.57 x 30.48]



N1 * Bottom Floor Board * 3 Holes * 1 Req
11/16 x 2-1/2 x 53 [1.74 x 6.35 x 134.62]



N3 * Tunnel Support Board * 3 Holes * 2 Req
11/16 x 2-1/2 x 16 [1.74 x 6.35 x 40.64]



M18 * Crows Nest Wall Board * 4 Holes * 6 Req
11/16 x 3-3/8 x 30-1/2 [1.74 x 8.57 x 77.47]



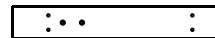
M20 * Floor Board * 4 Holes * 16 Req
11/16 x 3-3/8 x 25 [1.74 x 8.57 x 63.50]



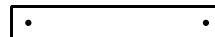
M22 * Wall Board * 4 Holes * 20 Req
11/16 x 3-3/8 x 24 [1.74 x 8.57 x 60.96]



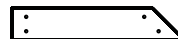
M24 * End Ladder Step * 6 Holes * 11 Req
11/16 x 3-3/8 x 22-1/2 [1.74 x 8.57 x 57.15]



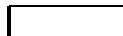
M26 * Top Wall Rail * 2 Holes * 1 Req
11/16 x 3-3/8 x 22-1/2 [1.74 x 8.57 x 57.15]



M28 * Gable Trim * 4 Holes * 4 Req
11/16 x 3-3/8 x 18 [1.74 x 8.57 x 45.72]



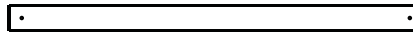
M30 * Window Trim * No Holes * 2 Req
11/16 x 3-3/8 x 12-1/2 [1.74 x 8.57 x 31.75]



M32 * End Ladder Step * 4 Holes * 1 Req
11/16 x 3-3/8 x 16-1/2 [1.74 x 8.57 x 41.91]

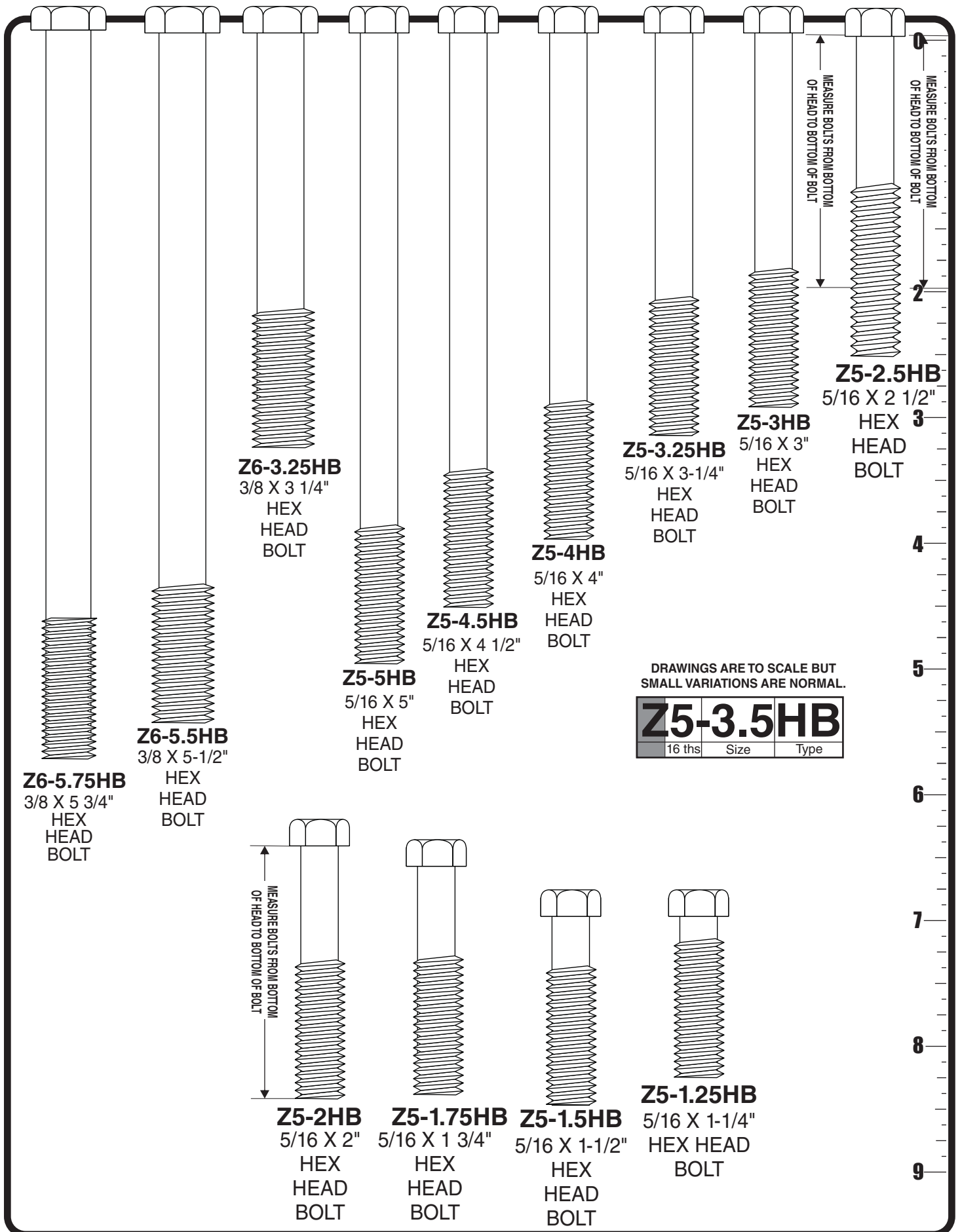


N2 * Club House Wall Board * 2 Holes * 2 Req
11/16 x 2-1/2 x 41 [1.74 x 6.35 x 104.14]



R1 * Roof Slat * No Holes * 26 Req
1 x 51/2 x 60 [2.54 x 13.97 x 152.4]





MEASURE BOLTS FROM BOTTOM OF HEAD TO BOTTOM OF BOLT

Z5-3LS
5/16 X 3"
LAG SCREW

Z5-2.5LS
5/16 X 2-1/2"
LAG SCREW

Z5-2LS
5/16 X 2"
LAG SCREW

Z4-1PTH
1/4 X 1"
PHILLIPS TRUSS HEAD BOLT

Z4-1SB
1/4 X 1"
STEP BOLT

ZW-1
1/8" SOCKET WRENCH

Z4-.75PBN
1/4"
BARREL HEAD NUT

Z6-.875FW
SAE 3/8"
FLAT WASHER

Z5-.75FW
5/16"
FLAT WASHER

Z6-.75ITLW
3/8"
INTERNAL TOOTH LOCK WASHER

Z5-.625ITLW
5/16"
INTERNAL TOOTH LOCK WASHER

Z4-.625ITLW
1/4"
INTERNAL TOOTH LOCK WASHER

Z6-.625STN
3/8"
SPIKE TEE NUT

Z5-.625STN
5/16"
SPIKE TEE NUT

Z8-3WS
#8 X 3"
WOOD SCREW

Z8-2.5WS
#8 X 2-1/2"
WOOD SCREW

Z8-2WS
#8 X 2"
WOOD SCREW

Z8-1.5WS
#8 X 1-1/2"
WOOD SCREW





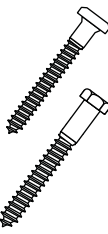




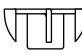
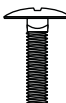
Z8-1.25WS
#8 X 1-1/4"
WOOD SCREW

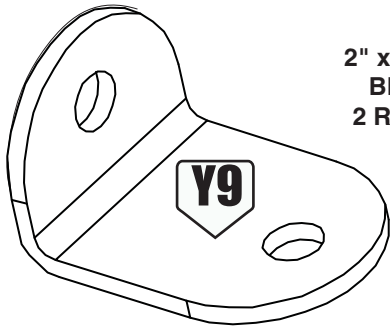
Z8-.75WS
#8 X 3/4"
WASHER HEAD SCREW

DRAWINGS ARE TO SCALE BUT SMALL VARIATIONS ARE NORMAL.

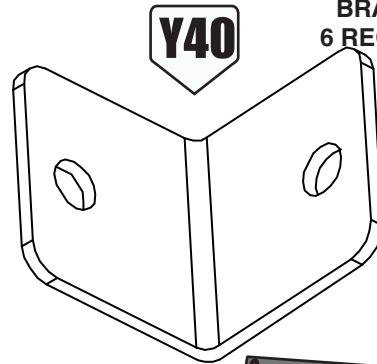
This hardware package was designed to work with many of our playsets so you will find extras of some of the parts. We suggest that you count out the proper numbers according to the list on Page 18 and take special care to note the sizes given in each step. See page 5 for proper installation instructions.

NOTE: QUANTITIES INCLUDE EXTRA HARDWARE

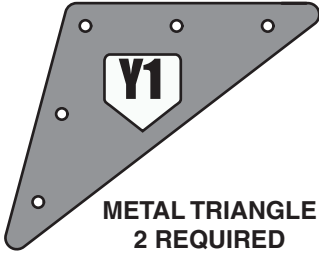
	PART.....	DESCRIPTION.....	QTY.
	Z6-5.75HB	3/8-16 x 5 3/4" Hex Head Bolt	2
	Z6-5.5HB	3/8-16 x 5 1/2" Hex Head Bolt	2
	Z6-3.25HB	3/8-16 x 3 1/4" Hex Head Bolt	13
	Z5-5HB	5/16-18 x 5" Hex Head Bolt	9
	Z5-4.5HB	5/16-18 x 4 1/2" Hex Head Bolt	2
	Z5-4HB	5/16-18 x 4" Hex Head Bolt	24
	Z5-2.5HB	5/16-18 x 2 1/2" Hex Head Bolt	4
	Z5-3.25HB	5/16-18 x 3.25" Hex Head Bolt	2
	Z5-2HB	5/16-18 x 2" Hex Head Bolt	19
	Z5-1.5HB	5/16-18 x 1-1/2" Hex Head Bolt	10
	Z5-1.75HB	5/16-18 x 1 3/4" Hex Head Bolt	24
	Z5-3HB	5/16-18 x 3" Hex Head Bolt	4
	Z5-1.25HB	5/16-18 x 1 1/4" Hex Head Bolt	8
	Z4-1PTH	1/4-20 x 1" Phillips Truss Head Bolt	33
	Z4-1SB	7/8" Head Diameter - 1/4-20 x 1" Step Bolt	4
	ZW-1	Socket Wrench for 1/4-20 x 1" Step Bolt	1
	Z4-.75PBN	1/4-20 x 3/4" LONG Phillips Barrel Nut	38
	Z4-.625ITLW	1/4 Internal Tooth Lock Washer - 15/32" OD	28
	Z5-3LS	5/16 x 3" Lag Screw	23
	Z5-2.5LS	5/16 x 2 1/2" Lag Screw	72
	Z5-2LS	5/16 x 2" Lag Screw	42
	Z8-3WS	#8 x 3" Type 17 w/nibs Wood Screw	18
	Z8-.75WHS	#8 x 3/4" Modified Truss Washer Head Screw	9
	Z8-2.5 WS	#8 x 2 1/2" Type 17 w/nibs Wood Screw	50
	Z8-2WS	#8 x 2" Type 17 w/nibs Wood Screw	812
	Z8-1.5WS	#8 x 1 1/2" type 17 w/nibs Wood Screw	326
	Z8-1.25 WS	#8 x 1 1/4" Type 17 w/nibs Wood Screw	201
	Z6-.625STN	3/8-16 x 5/8" LONG Spiked Tee Nut	19
	Z6-.875FW	3/8 SAE Flat Washer - 13/16" OD x 13/32" ID	26
	Z6-.75ITLW	3/8 Internal Tooth Lock Washer - 11/16" OD	20
	Z5-.625STN	5/16-18 x 5/8" LONG Spiked Tee Nut	106
	Z5-.75FW	5/16 SAE Flat Washer - 11/16" OD x 11/32" ID	295
	Z5-.625ITLW	5/16 Internal Tooth Lock Washer - 19/32" OD	236
			



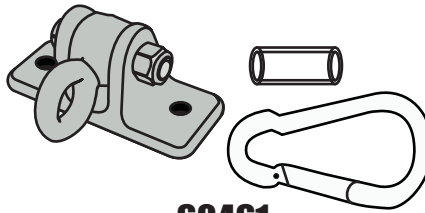
2" x 1" METAL BRACKET
2 REQUIRED



2" x 2" METAL BRACKET
6 REQUIRED



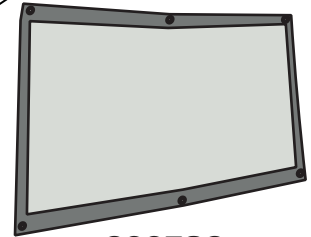
METAL TRIANGLE
2 REQUIRED



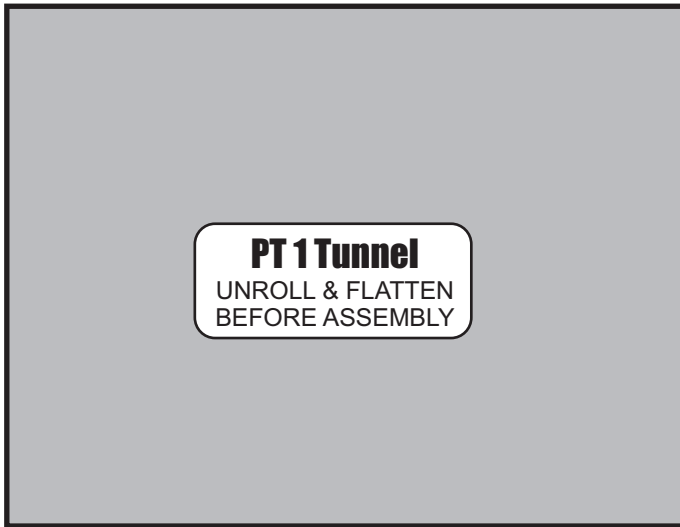
60461
BAG OF 6
• SWING HANGER,
• CARABINER,
• PLASTIC TUBE



60493-11
GREEN PLASTIC
ROCKS
11 REQUIRED



600536
GREEN MESH
WINDOW
1 36x20



PT 1 Tunnel
UNROLL & FLATTEN
BEFORE ASSEMBLY



24 3/4"
METAL GRIP
2 REQUIRED



16 1/2"
METAL GRIP
4 REQUIRED

ADDITIONAL ITEMS

- 1 - METAL ID PLAQUE
- 1 - ASSEMBLY MANUAL
- 1 - 50226 - 10 FT. SLIDE

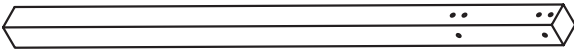
- 1 - HARDWARE KIT

- 2 - 60421-3 - BELT SWINGS W/CHAIN
- 1 - 60412 - TRAPEZE BAR W/CHAIN
- 6 - Y41 GROUND STAKES

E2 * Floor Rail * 6 Holes * 1 Req
 1-3/8 x 3-3/8 x 90 [3.49 x 8.57 x 228.60]



C1 * Tower Leg * 6 Holes * 4 Req
 3 x 3 x 70 [7.62 x 7.62 x 177.80]



E13 * Lower Floor Rail * 4 Holes * 1 Req
 1-3/8 x 3-3/8 x 53 [3.49 x 8.57 x 134.62]

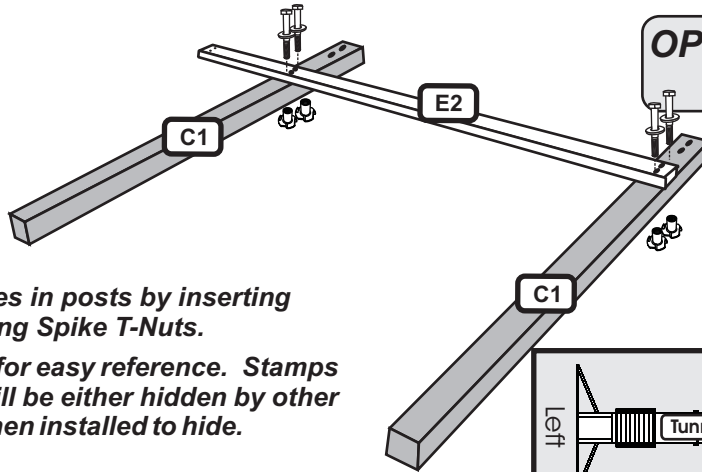


E5 * Floor Rail * 5 Holes * 1 Req
 1-3/8 x 3-3/8 x 75-7/8 [3.49 x 8.57 x 192.72]



Step 1

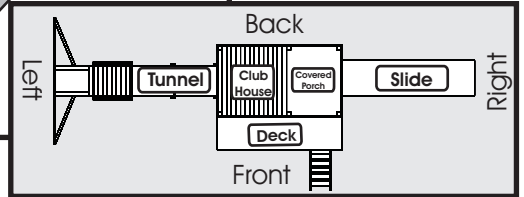
Lay two **C1 Tower Leg** flat on ground. Insert Spike T-Nuts in bottom 2 holes of C1 Tower Leg. Attach **E2 Floor Rail** to C1 Tower Leg thru countersunk holes in Floor Rail using 4" Hex Bolts, Lock Washer and Flat Washers.



**OPEN & INVENTORY
 BOX 1 & 2**

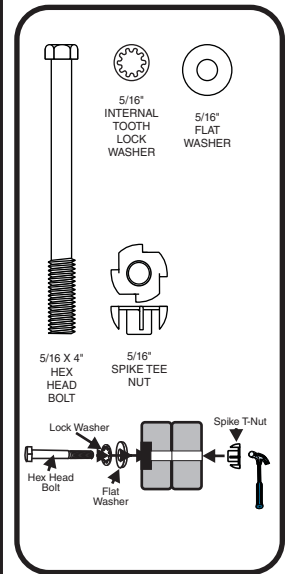
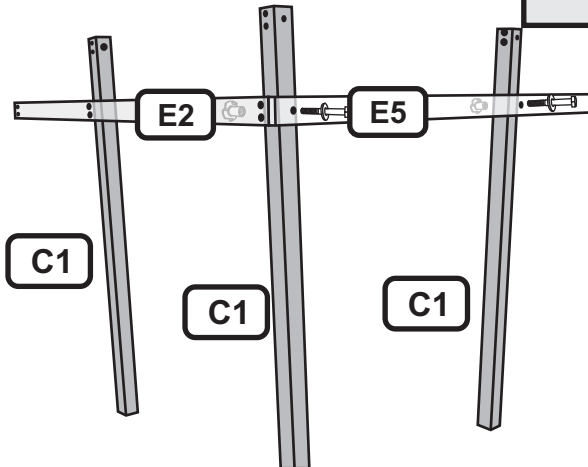
Note: Clean any debri from holes in posts by inserting the bolt into hole before inserting Spike T-Nuts.

Note: Parts have been stamped for easy reference. Stamps have been placed where they will be either hidden by other parts or will need to be turned when installed to hide.



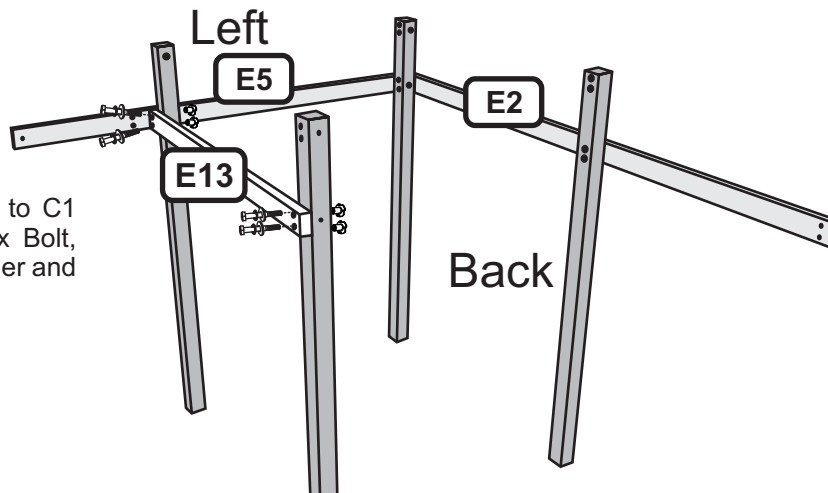
Step 2

This step will take 2 people. Stand E2 and C1 assembly up and attach **E5 Floor Rail** to C1 Tower Leg with 4" Hex Bolt, Lock Washer, Flat Washer and Spike T-Nut. Then stand another C1 Tower Leg and attach using 4" Hex Bolt, Lock Washer, Flat Washer and Spike T-Nut.



Step 3

Attach **E13 Floor Rail** to C1 Tower Leg with 4" Hex Bolt, Lock Washer Flat Washer and Spike T-Nut.



E6 * Floor Rail * 8 Holes * 1 Req
 1-3/8 x 3-3/8 x 74-1/2 [3.49 x 8.57 x 189.23]

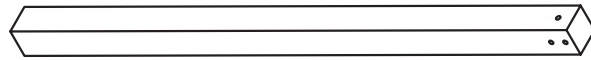


E15 * Floor Rail * 3 Holes * 1 Req
 1-3/8 x 3-3/8 x 35-1/2 [3.49 x 8.57 x 90.17]



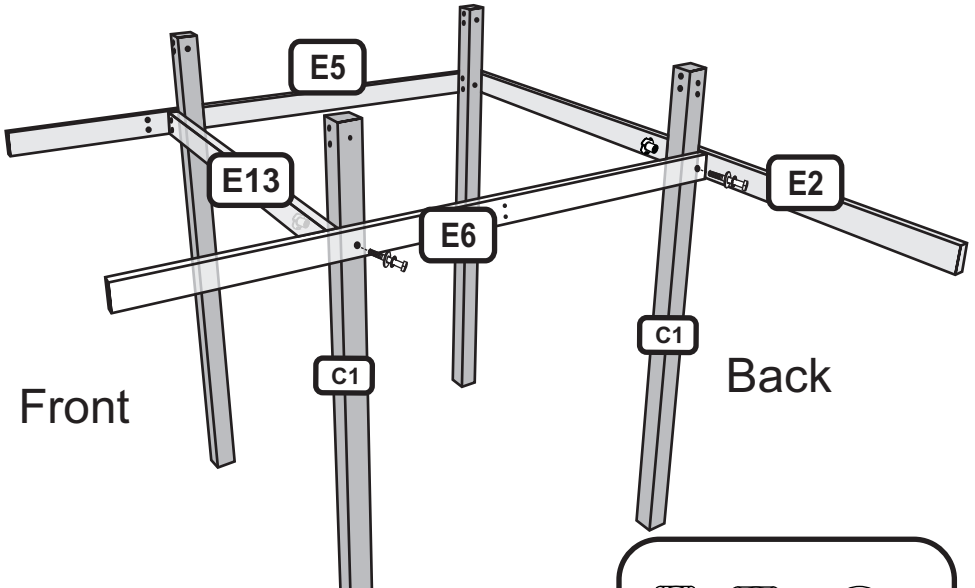
2" x2" METAL BRACKET
6 REQUIRED

1 Req **C2 * Tower Leg * 3 Holes * 3**
 3 x 3 x 59 [7.62 x 7.62 x 149.86]



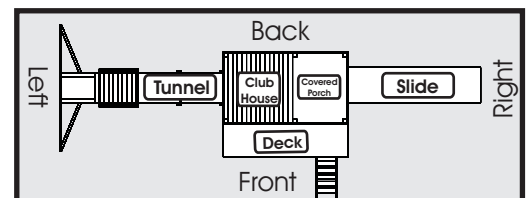
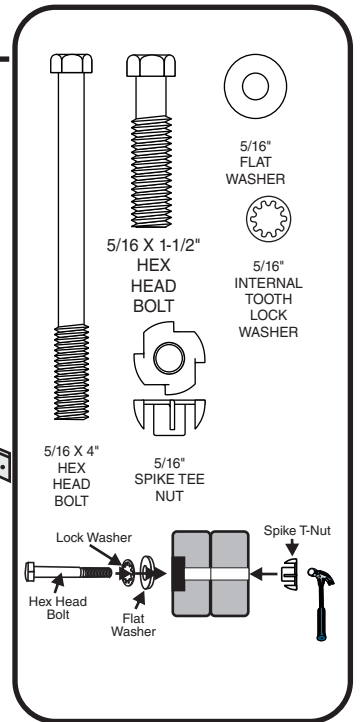
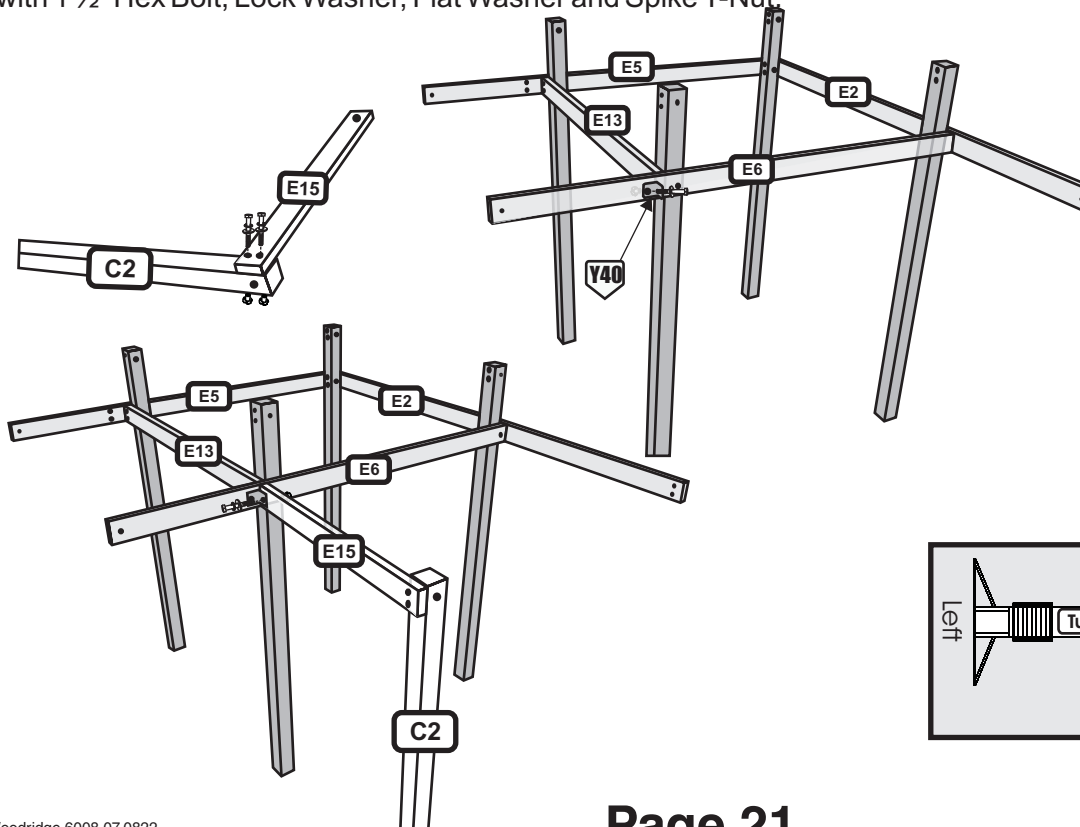
Step 4

Attach **E6 Floor Rail** to opposite **C1 Tower Legs** using 4" Hex Bolt, Lock Washer, Flat Washer and Spike T-Nut.

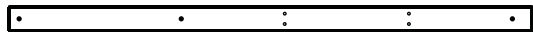


Step 5

Attach **Y40 L Bracket** to **E6 Floor Rail** with 1 1/2" Hex Bolt, Lock Washer, Flat Washer and Spike T-Nut. Attach **E15 Floor Rail** to **C2 Tower Leg** with 4" Hex Bolt, Lock Washer, Flat Washer and Spike T-Nut. Stand assembly up and attach to **Y40** on **E6** with 1 1/2" Hex Bolt, Lock Washer, Flat Washer and Spike T-Nut.



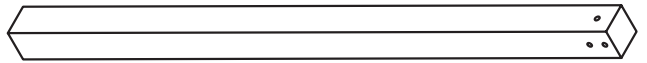
E4 * Floor Rail * 7 Holes * 1 Req
 1-3/8 x 3-3/8 x 75-7/8 [3.49 x 8.57 x 192.72]



G19 * Back Rail Corner * 5 Holes * 1 Req
 1 x 5-1/2 x 32 [2.54 x 13.97 x 81.28]



C2 * Tower Leg * 3 Holes * 1 Req
 3 x 3 x 59 [7.62 x 7.62 x 149.86]

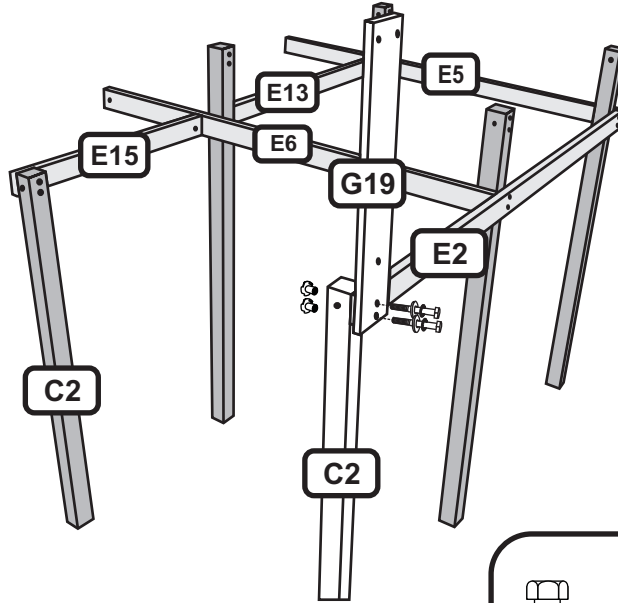


G14 * Right Porch Support * 5 Holes * 1 Req
 1 x 5-1/2 x 43-1/2 [2.54 x 13.97 x 110.49]



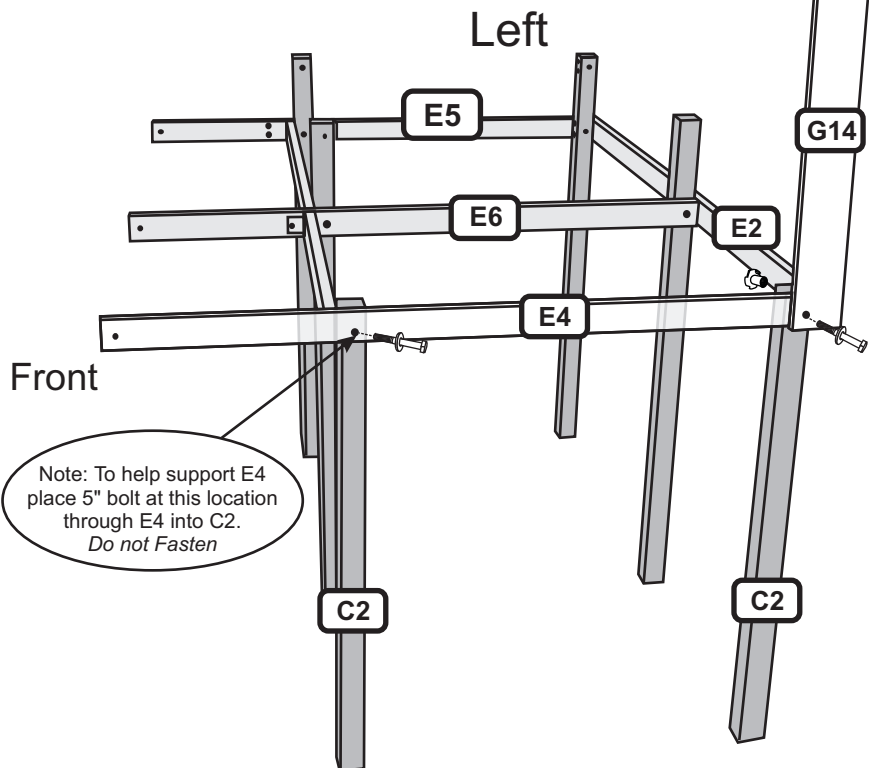
Step 6

Attach **G19 Back Rail Corner** with 5" Hex Bolt, Lock Washer, Flat Washer and Spike T-Nut through E2 rail into C2 Tower Leg.

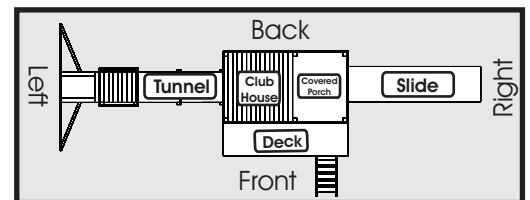
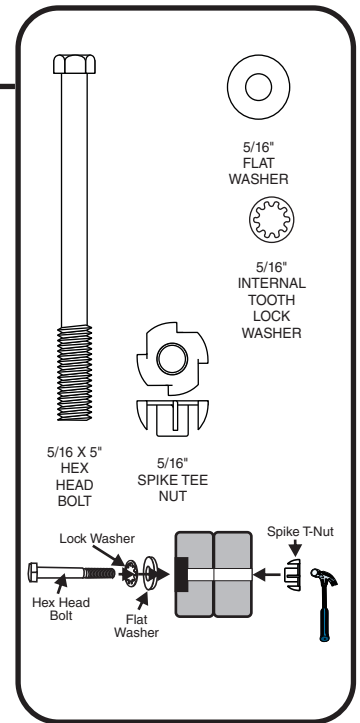


Step 7

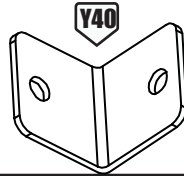
Attach **G14 Right Porch Support** and **E4 Floor Rail** using 5" Hex Bolt, Lock Washer, Flat Washer and Spike T-Nut. The Bolt will go thru G14, E4 Floor Rail and fasten to C2 Tower Leg.



Note: To help support E4 place 5" bolt at this location through E4 into C2. Do not Fasten



G13 * Left Porch Support * 6 Holes * 1 Req
 1 x 5-1/2 x 43-1/2 [2.54 x 13.97 x 110.49]



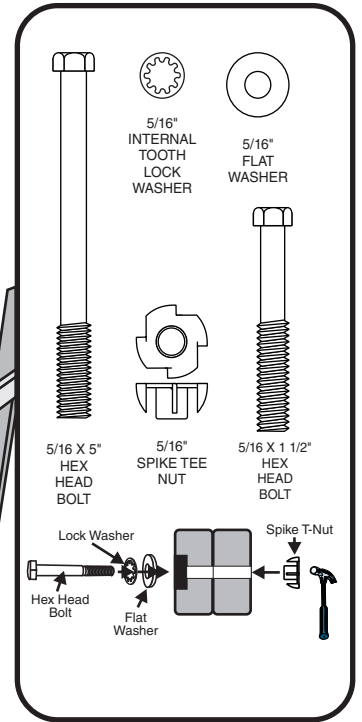
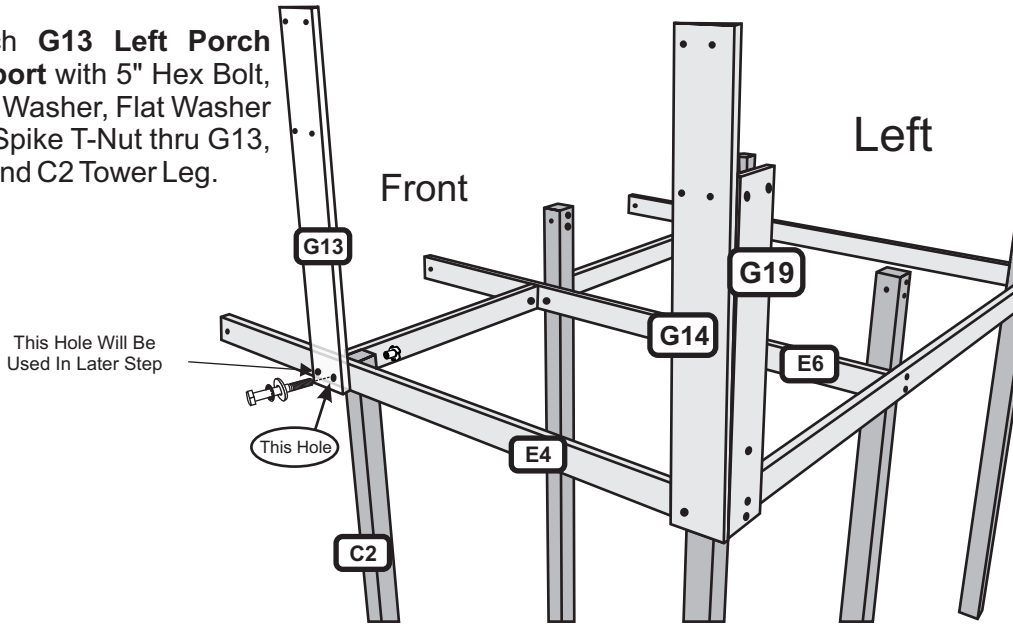
2" x 2" METAL BRACKET
6 REQUIRED

E1 * Floor Rail * 9 Holes * 1 Req
 1-3/8 x 3-3/8 x 92-1/2 [3.49 x 8.57 x 234.95]



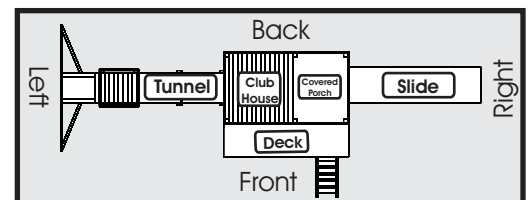
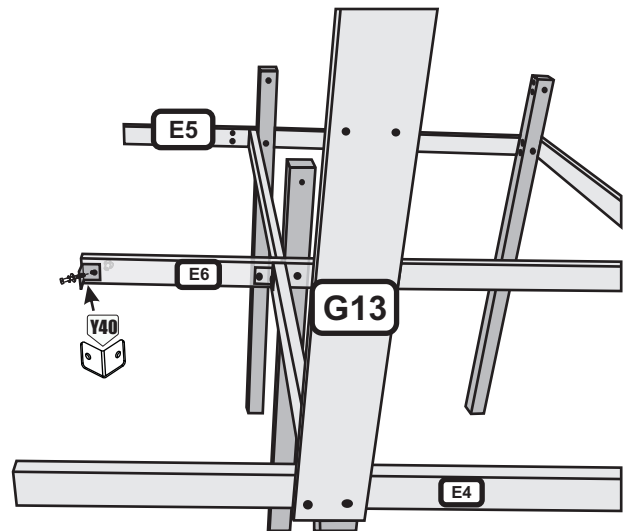
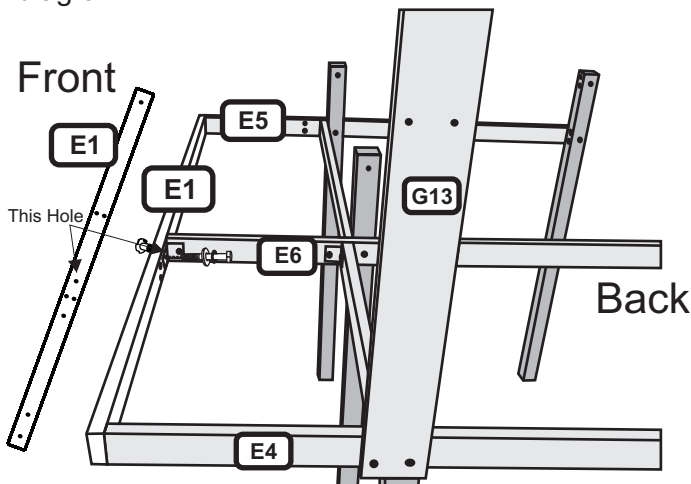
Step 8

Attach **G13 Left Porch Support** with 5" Hex Bolt, Lock Washer, Flat Washer and Spike T-Nut thru G13, E4, and C2 Tower Leg.



Step 9

Attach Y40 Metal Bracket to E6 Floor Rail using 1 1/2" Hex Bolt, Lock Washer, Flat Washer and Spike T-Nut. Attach **E1 Floor Rail** to Y40 Metal Bracket using 1 1/2" Hex Bolt, Lock Washer, Flat Washer and Spike T-Nut per diagram.



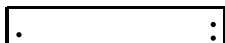
G16 * Front Right Rail Corner * 5 Holes * 1 Req
 1 x 5-1/2 x 32 [2.54 x 13.97 x 81.28]



G18 * Left Rail Corner * 4 Holes * 1 Req
 1 x 5-1/2 x 32 [2.54 x 13.97 x 81.28]



G17 * Right Rail Corner * 3 Holes * 1 Req
 1 x 5-1/2 x 32 [2.54 x 13.97 x 81.28]



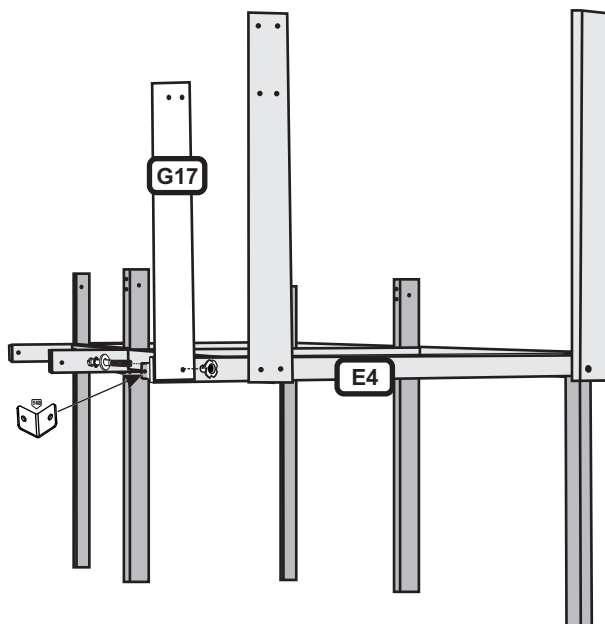
G15 * Front Left Rail Corner * 5 Holes * 1 Req
 1 x 5-1/2 x 32 [2.54 x 13.97 x 81.28]



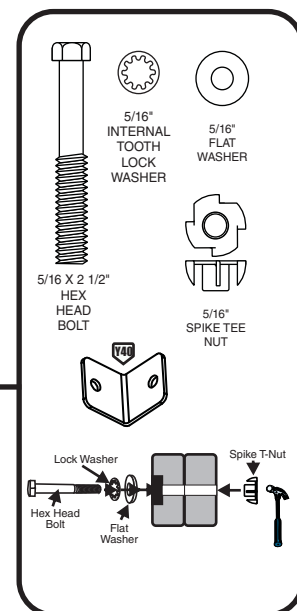
2" x 2" METAL BRACKET
6 REQUIRED

Step 10

Put 5/16 Spike T-Nut in bottom hole of **G17 Right Rail Corner**. Attach G17 with 2 1/2" Hex Bolt, Lock Washer and Flat Washer thru Y40 L-Bracket and E4 Floor Rail.

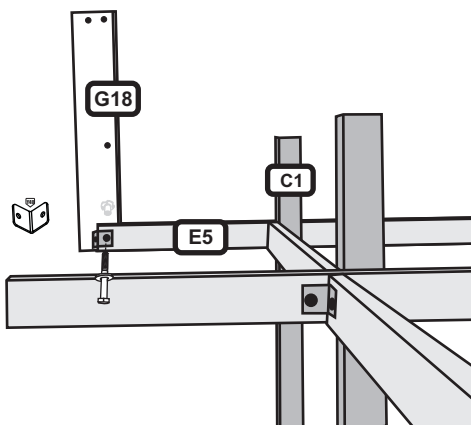


Note: E1 Floor Rail is not shown to help clarify the G17 & G18 assembly.



Step 11

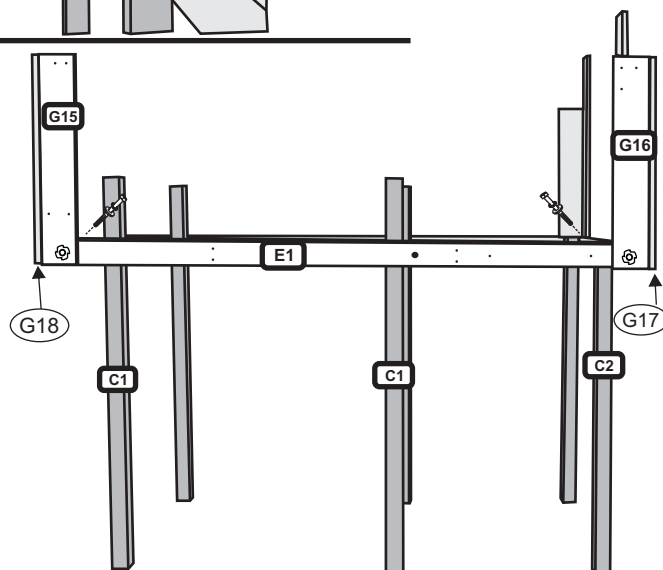
Place 5/16 Spike T-Nut in **G18 Left Rail Corner** (4 hole). Use 2 1/2" Hex Bolt, Lock Washer and Flat Washer thru Y40 L-Bracket. Attach G18 Left Rail Corner to E5 Floor Rail.



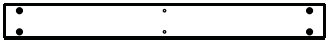
Step 12

Attach **G15 Front Left Corner Rail** using 2 1/2" Hex Bolt, Lock Washer, Flat Washer and Spike T-Nut to E1 Floor Rail and Y40 Bracket.

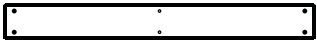
Attach **G16 Front Right Rail Corner** to E1 Floor Rail and Y40 Bracket using 2 1/2" Hex Bolt, Lock Washer, Flat washer and Spike T-Nut.



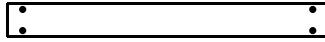
G9 * Base Board * 6 Holes * 1 Req
 1 x 5-1/2 x 53 [2.54 x 13.97 x 134.62]



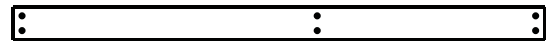
G11 * Bottom Floor Rail * 6 Holes * 1 Req
 1 x 5-1/2 x 51 [2.54 x 13.97 x 129.54]



G10 * Base Board * 4 Holes * 1 Req
 1 x 5-1/2 x 53 [2.54 x 13.97 x 134.62]



G3 * Base Board * 6 Holes * 2 Req
 1 x 5-1/2 x 90 [2.54 x 13.97 x 228.60]



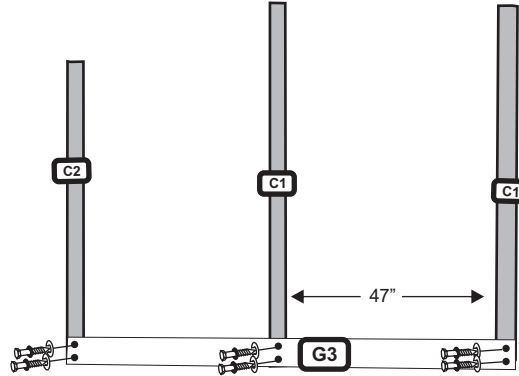
G12 * Bottom Floor Joist * No Holes * 1 Req
 1 x 5-1/2 x 49 [2.54 x 13.97 x 124.46]



Step 13

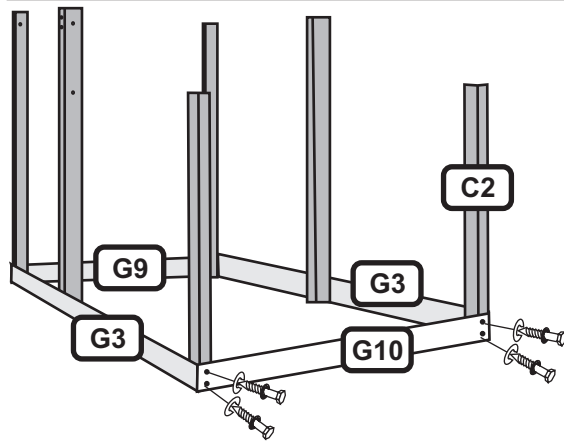
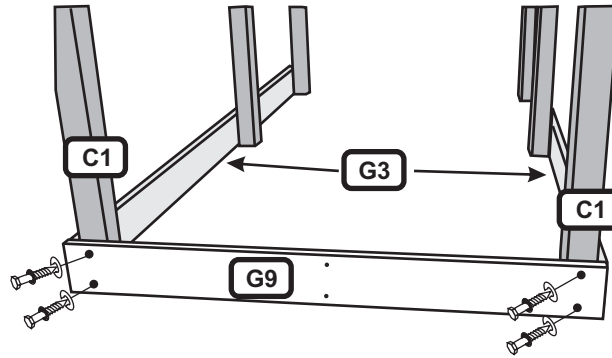
Position the **G3 Base Board** flush to the outside of C1 and C2 Tower Leg. Make sure that the center C1 Tower Leg is 47" from the inside of the outer C1 Tower Leg as shown. Using the holes in the G3 Base Board as a guide, pilot drill the post using a 3/16" drill bit. Attach the G3 Base Board using 2 1/2" Lag Screws, Lock Washers and Flat Washers.

Repeat on opposite side.



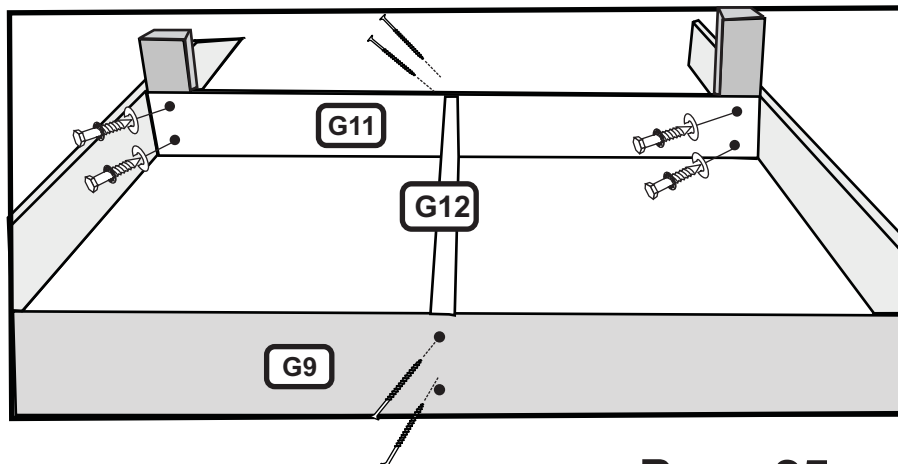
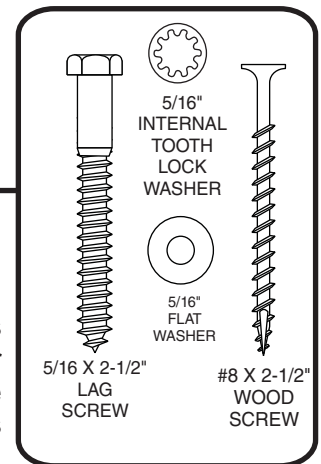
Step 14

Attach **G9** (6 hole) **Baseboard**, flush with G3 Baseboard on both sides, using 2 1/2" Lag Screw, Lock Washer and Flat Washer. Pilot drill using 3/16" bit, using holes in Base Board as guide.



Step 15

Attach **G10 Baseboard** to C2 Tower Legs right side with 2 1/2" Lag Screw, Lock Washer and Flat Washer flushing with G3 Base Boards. Pilot drill using 3/16" bit (use holes in Base Boards as guide).

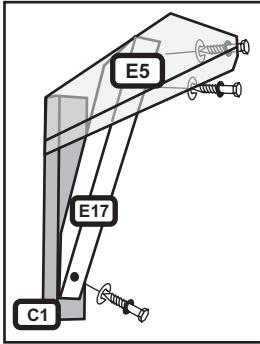


Step 16

Attach **G11 Bottom Floor Rail** to C1 Tower Leg using 2 1/2" Lag Screw, Lock Washer and Flat Washer. Use hole in G11 to drill 3/16" pilot holes.

Attach **G12 Bottom Floor Joist** using 2 1/2" Wood Screws through pre-drilled pilot holes in G11 and G9, making sure to level the tops of each board.

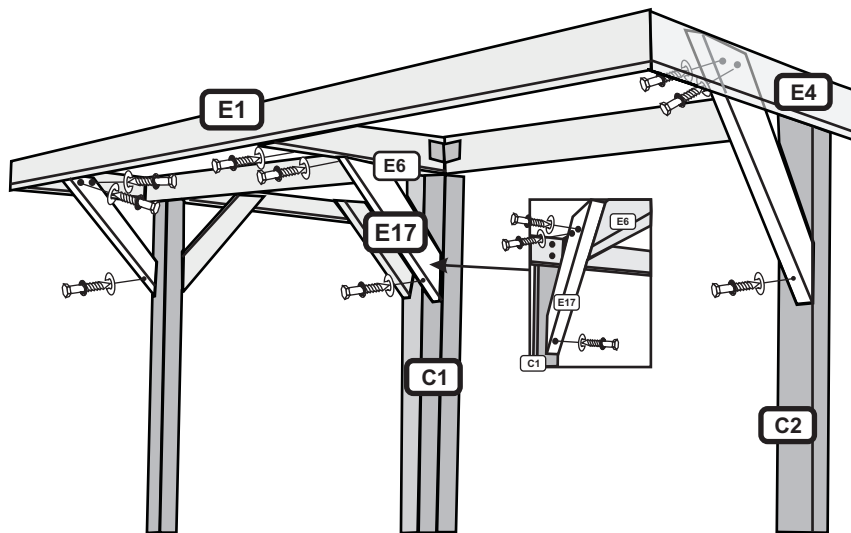
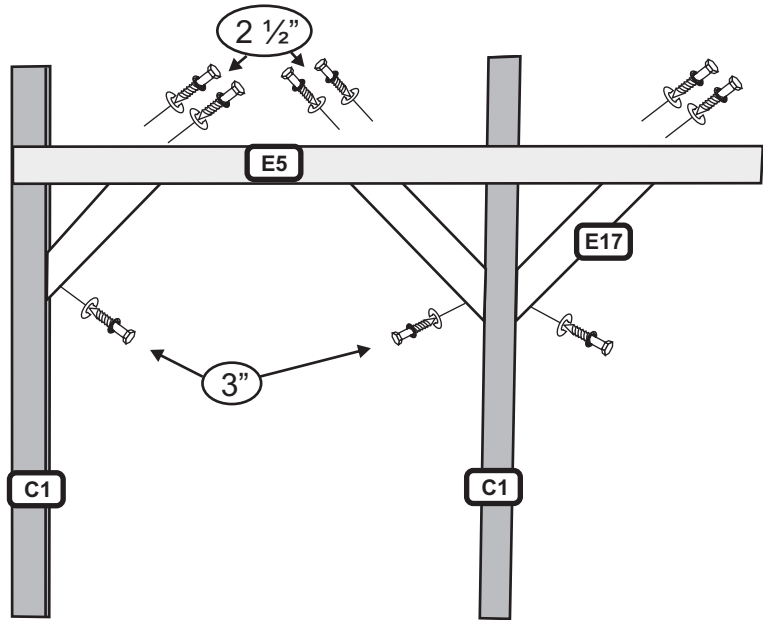
E17 * Short Angle Brace * 3 Holes * 5 Req
1-3/8 x 3-3/8 x 22 [3.49 x 8.57 x 55.88]



Step 17

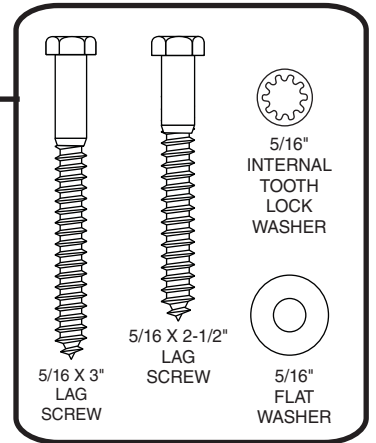
With corners squared and plumb, attach three **E17 Angle Braces** to Floor Rail E5 left side with 2 1/2" Lag Screws, Lock Washers and Flat Washers and 3" Lag Screws, Lock Washers and Flat Washers to C1 Tower Leg. Pilot drill using 3/16" bit.

Note: Angle Brace E17 does not stick up above Floor Rail).



Step 18

Attach another E17 Short Angle Brace to right Floor Rail E4 and C2 Tower Leg using 2 1/2" Lag Screw, Lock Washer and Flat Washer on Floor Rail and 3" Lag Screw, Lock Washer and Flat Washer into C2 Tower Leg. Make sure Short Angle Braces do not stick up above the Floor Rails. Attach last E17 Short Angle Brace to center Floor Rail E6 and center C1 Tower Leg using 2 1/2" Lag Screw, Lock Washer and Flat Washer at rail and a 3" Lag Screw and washers on Tower Leg; again making sure Angle Brace does not stick up above Floor Rail. At this point, the unit should be level. Double check lengthwise with level.



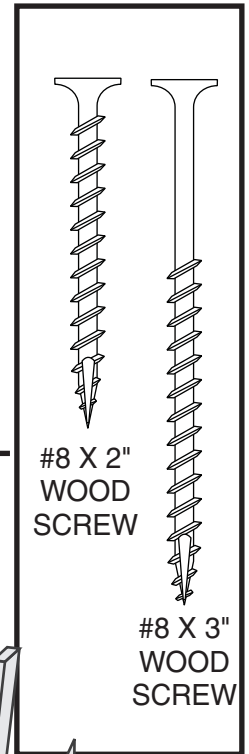
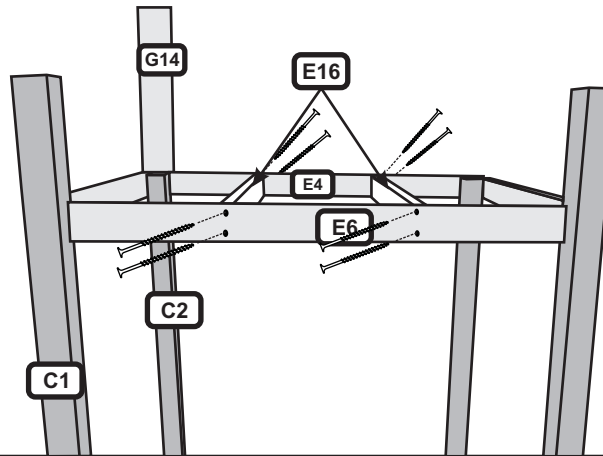
M20 * Floor Board * 4 Holes * 16 Req
11/16 x 3-3/8 x 25 [1.74 x 8.57 x 63.50]

E16 * Floor Joist * No Holes * 2 Req
1-3/8 x 3-3/8 x 35-1/2 [3.49 x 8.57 x 90.17]

M3 * Upper Floor Board * 8 Holes * 11 Req
11/16 x 3-3/8 x 77-1/4 [1.74 x 8.57 x 196.22]

Step 19

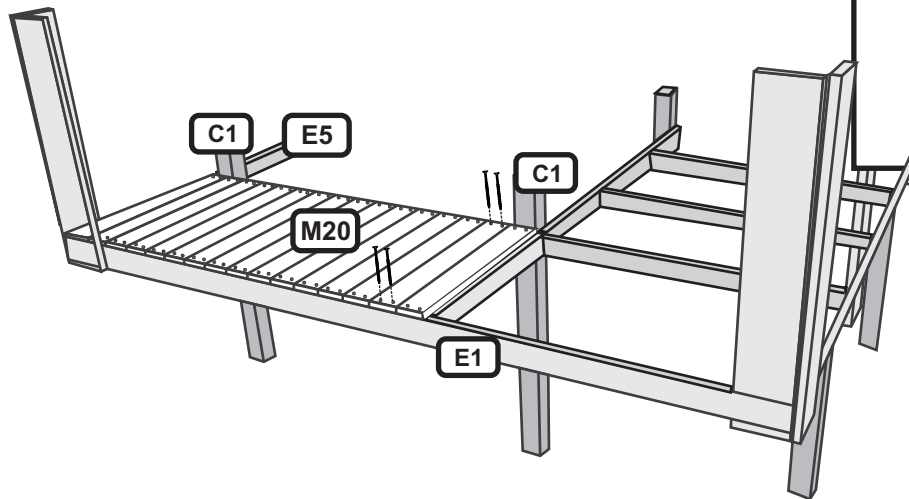
Now attach two **E16 Floor Joist** to E4 right Floor Rail and center Floor Rail E6 using 3" wood screws.



Step 20

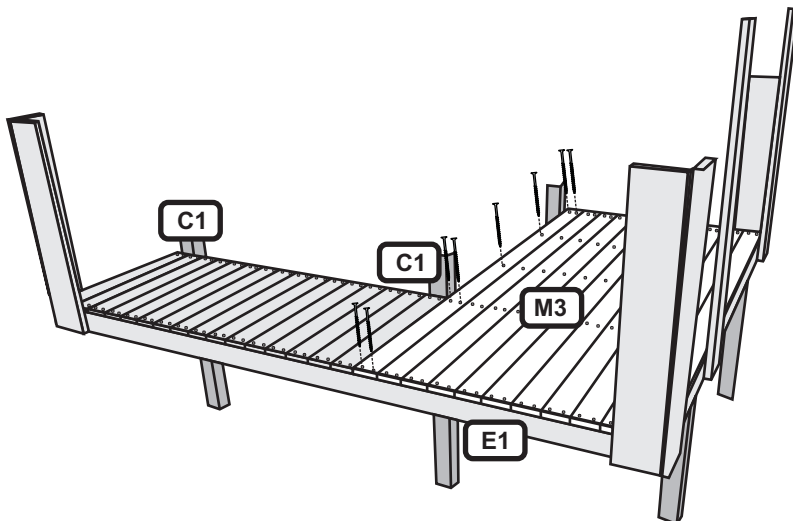
Place one **M20 Floor Board** flush with E5 Floor Rail and screw down with 2" Wood Screws. Place another M20 Floor Board flush with C1 center Tower Leg and screw down with 2" Wood Screws. Space the remaining Floor Boards **evenly** and attach with 2" Wood Screws.

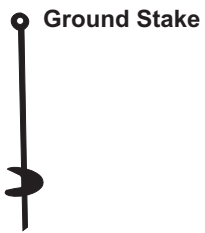
The deck should not be stood on until entry ladder is installed in step. 24



Step 21

Attach **M3 Upper Floor Boards**, making sure the double set of holes line up with short Floor Boards. Floor Board will only align with Floor Joists E16 placed as so. Attach two outside Floor Boards towards corner and post with 2" Wood Screws. Then evenly spread the remaining boards and attach with 2" Wood Screws. Make sure Floor Boards are flush with E1 front Floor Rail.





Ground Stake

K8 * Entry Ladder Back * 4 Holes * 1 Req
11/16 x 5-1/2 x 19-3/8 [1.74 x 13.97 x 49.21]



H10 * Entry Ladder Step * No Holes * 5 Req
1 x 3-1/2 x 17-1/2 [2.54 x 8.89 x 44.45]



E8 * Entry Ladder Rail * No Holes * 1 Set Left & Right Req
1-3/8 x 3-3/8 x 65 [3.49 x 8.57 x 165.07]



Y32

**24-3/4" METAL GRIP
2 REQUIRED**

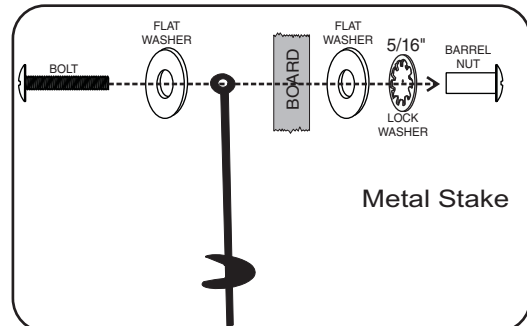
STEP 22

Now is the time to position playset in permanent location and secure to ground. Measure in 4" from Tower Legs and 4" from inside of G9 Base board and mark ground. Now measure in 4" from Tower Legs and 4" from outside G10 Base Board and mark ground. This should allow enough space to twist Stakes into ground using screwdriver for leverage.

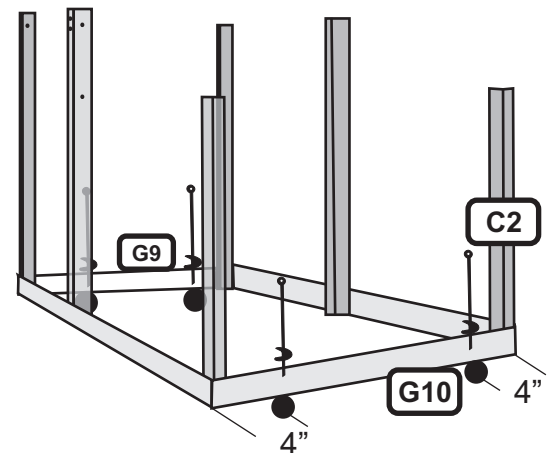
Twist Stakes until eye is approximately 3" from ground surface.

At this point you will need at least two people to slide the set into position next to the Stakes. Using eye in Stake as guide drill thru Base Boards with 3/8" drill bit and attach Stakes with 1" Phillips Truss Head Bolts 5/16" Lock Washers, Flat Washers and 1/4" Barrel Nuts as shown.

Note: If your ground is loose, sandy or rocky you may need to dig holes and secure Stakes with concrete.



Metal Stake



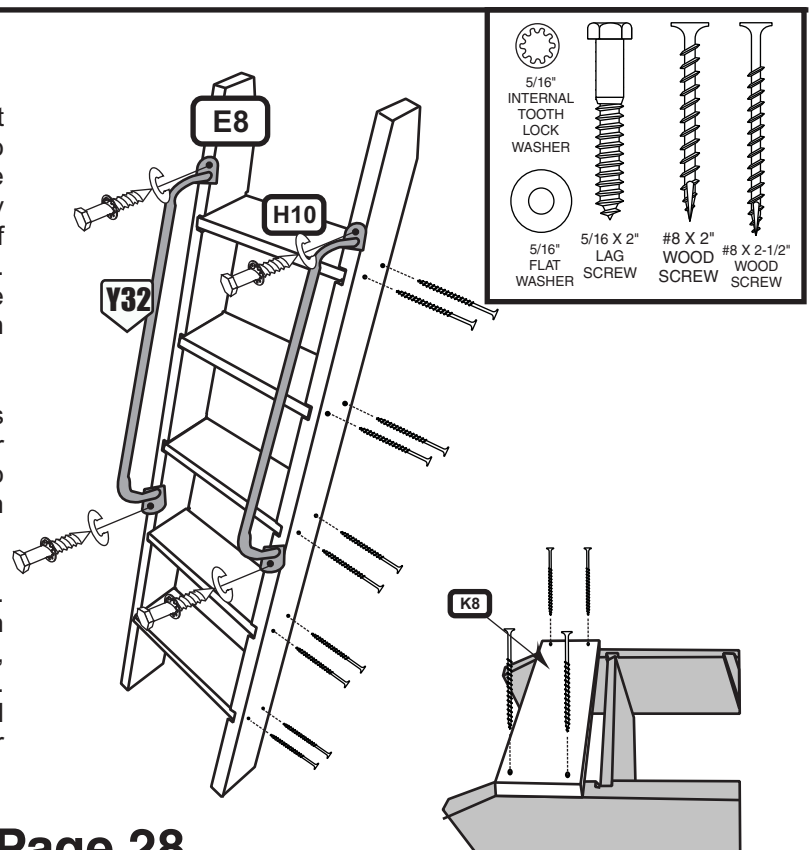
Now open and inventory Box 3

STEP 23

Start the **E8 Entry Ladder** assembly by drilling 1/8" pilot holes in the slots of both the Entry Ladder rails E8, two pilot holes per slot, each hole at least 1" in from the edge of the board. Loosely assemble the Entry Ladder by inserting the **H10 Entry Ladder Steps** in the slots of one Entry Ladder Rail, then place the other Rail on top. Make sure the steps sit evenly with the front side of the Rails. Use two 2 1/2" Self Tapping Wood Screws on each step. Tighten securely but do not over tighten.

Position the **K8 Entry Ladder Back** as shown with its edge aligned to the break in the angle of the Ladder Rails on back side of assembly. Secure ladder back to Rails with four 2" Self Tapping Wood Screws, two on each side. Tighten securely, but do not over tighten.

At this point, attach **Y32 Metal Grip** to Ladder Rails. Measure down 4" from top edge and pilot drill Rails in center with 3/16" drill bit. Attach handles at these points, Using 2" Lag Screw, Lock Washer and Flat Washer. Now use hole in bottom of handle as guide to pilot drill and Finish attaching with 2" Lag Screw, Lock Washer and Flat Washer.



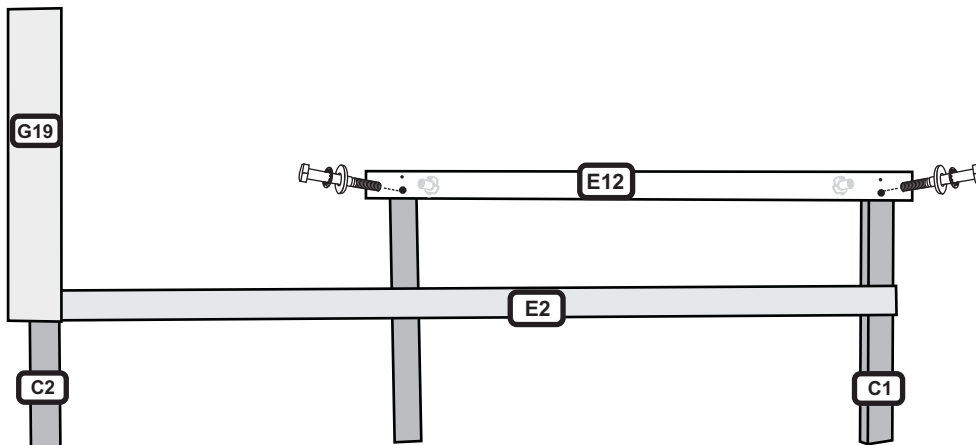
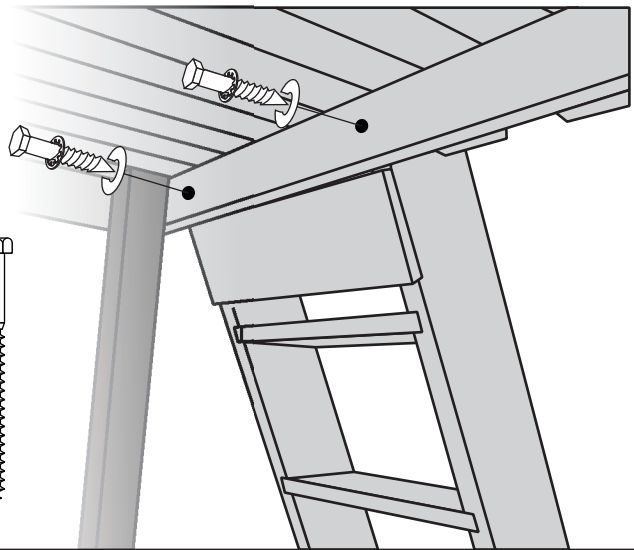
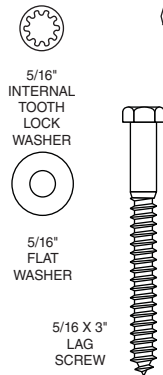
E11 * Front Floor Rail * 6 Holes * 1 Req
 1-3/8 x 3-3/8 x 53 [3.49 x 8.57 x 134.62]

E12 * Back Floor Rail * 4 Holes * 1 Req
 1-3/8 x 3-3/8 x 53 [3.49 x 8.57 x 134.62]



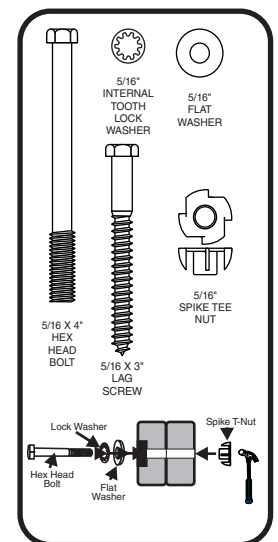
Step 24

Position Entry Ladder assembly as shown on front of unit at right end. Center Entry Ladder rail on the two pre-drilled holes in E1 Front Floor Rail. Drill 3/16" pilot holes into Entry Ladder Rails. Use two 3" Lag Screws, Lock Washers and Flat Washers to secure Entry Ladder to unit. Tighten Lag Screws securely, but do not over tighten.



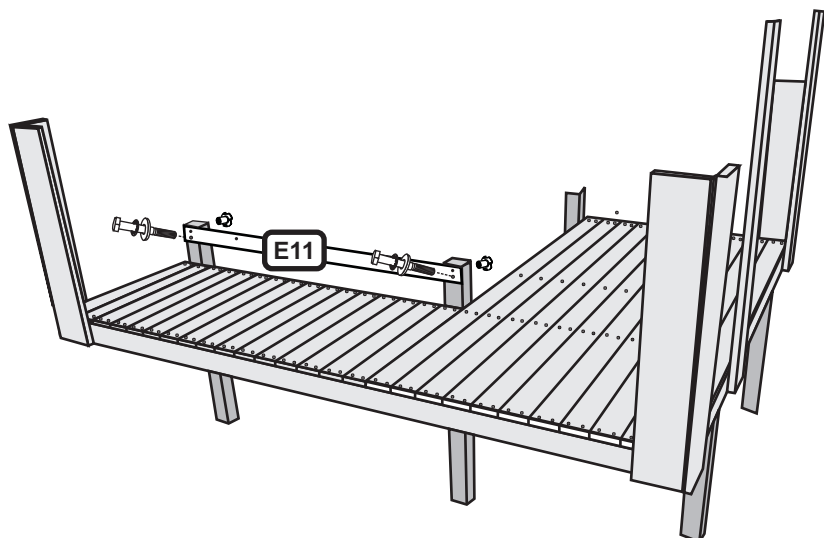
Step 25

Attach **E12 Back Floor Rail** with 4" Hex Bolt, Lock Washer, Flat Washer and Spike T-Nut, through countersunk holes only.



Step 26

Attach **E11 Front Floor Rail**, (paying attention that inside holes are up) with 4" Hex Bolt, Lock Washer, Flat Washer and Spike T-Nut, through bottom counter sunk holes only.



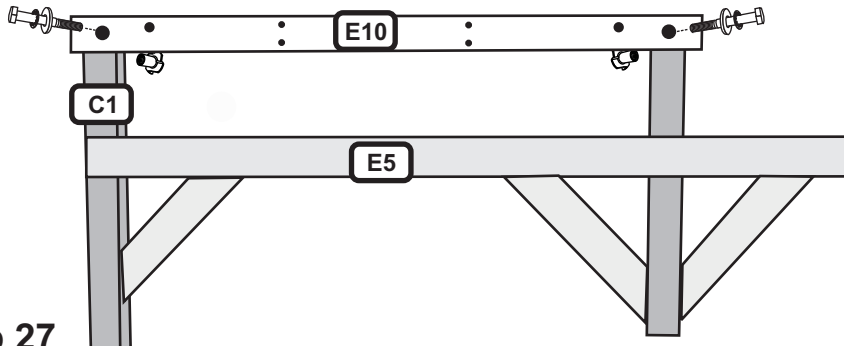
E9 * Right Floor Rail * 10 Holes * 1 Req
1-3/8 x 3-3/8 x 53-3/4 [3.49 x 8.57 x 136.53]



E10 * Left Floor Rail * 8 Holes * 1 Req
1-3/8 x 3-3/8 x 53-3/4 [3.49 x 8.57 x 136.53]

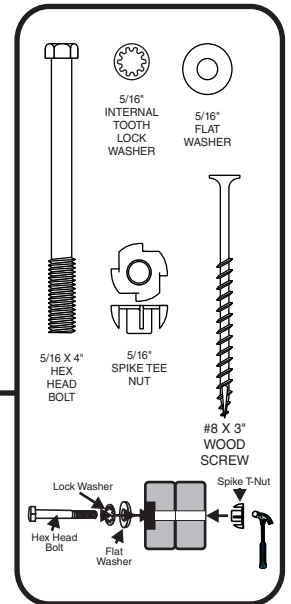


E14 * Floor Joist * No Holes * 2 Req
1-3/8 x 3-3/8 x 53 [3.49 x 8.57 x 134.62]



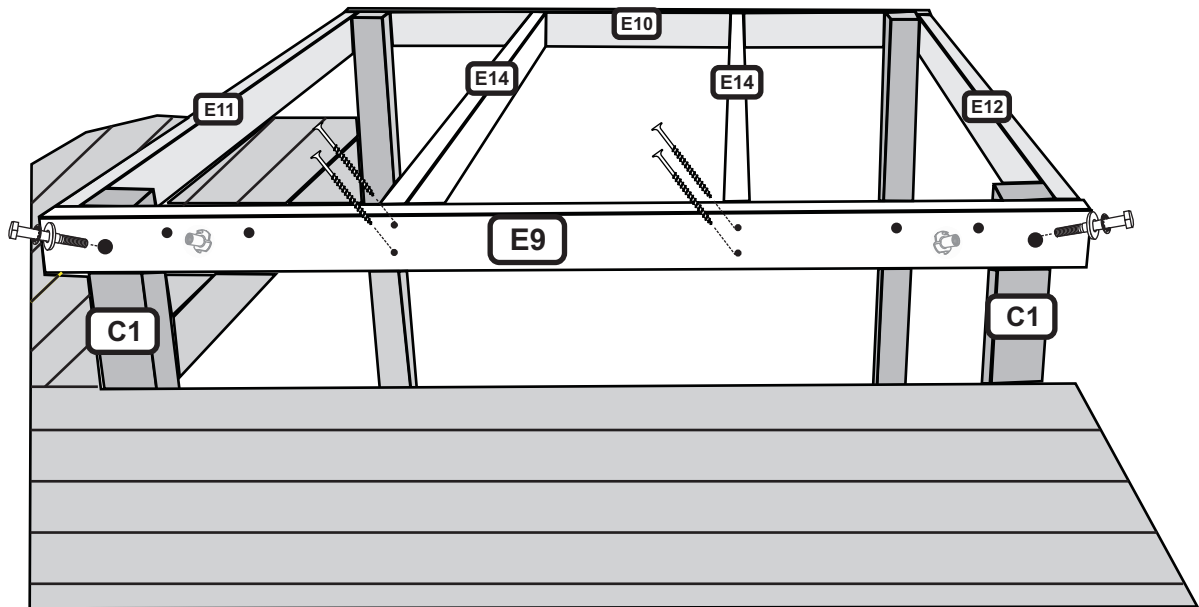
Step 27

Attach **E10 Left Floor Rail** with 4" Hex Bolt, Lock Washer, Flat Washer and Spike T-Nut thru countersunk holes, noting holes towards top



Step 28

Attach **E9 Right Floor Rail** with 4" Hex Bolt, Lock Washer, Flat Washer and Spike T-Nut thru countersunk holes. Note holes are towards top.



Step 29

Attach **E14 Floor Joist** to E9 and E10 Floor Rails using 3" Wood Screws.

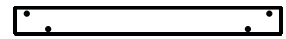
G5 * Back Club House Rail * 4 Holes * 1 Req
1 x 5-1/2 x 56 [2.54 x 13.97 x 142.24]



G23 * Front Right Club House Rail * 3 Holes * 1 Req
1 x 5-1/2 x 13 [2.54 x 13.97 x 33.02]

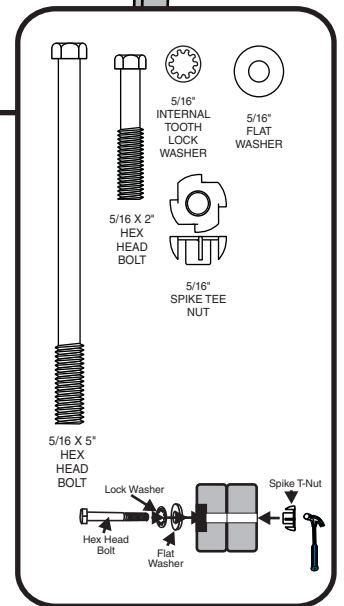
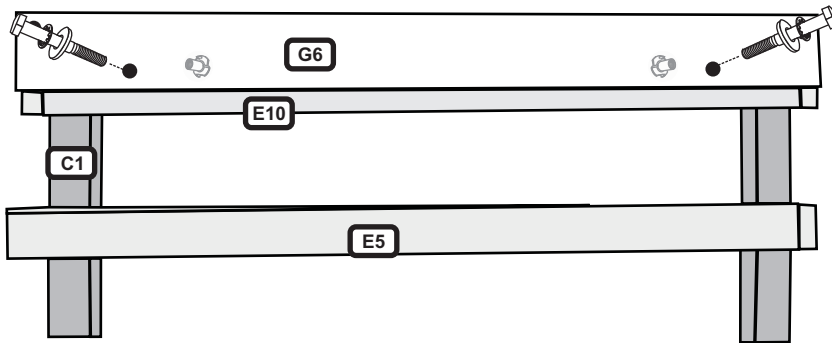
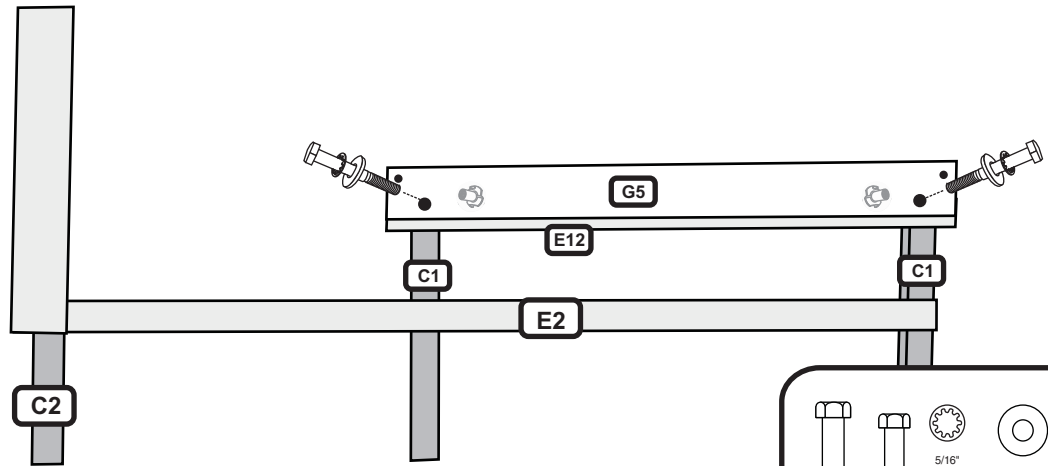


G6 * Left Club House Rail * 4 Holes * 1 Req
1 x 5-1/2 x 56 [2.54 x 13.97 x 142.24]



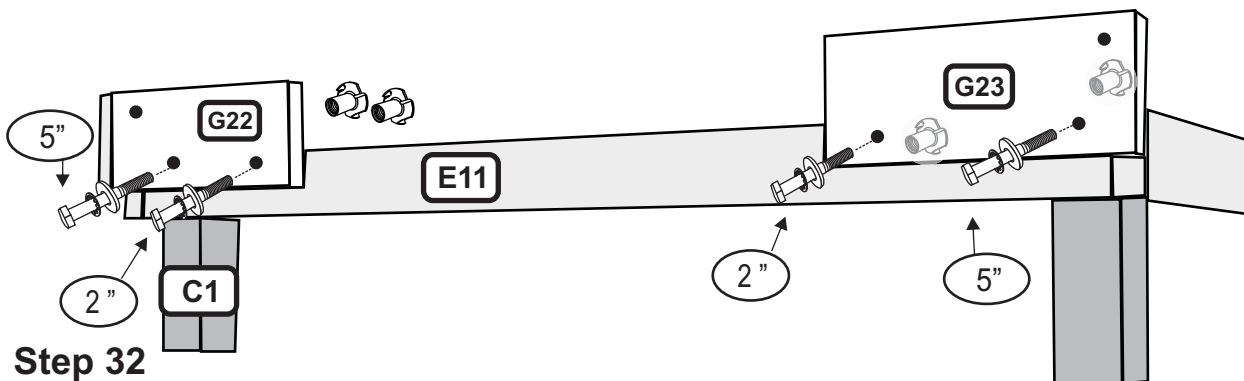
Step 30

Attach **G5 Back Club House Rail** to E12 and C1 using 5" Hex Bolt, Lock Washer, Flat Washer and Spike T-Nut.



Step 31

Attach **G6 Left Club House Rail** to E10 Floor Rail using 2" Hex Bolt, Lock Washer, Flat Washer and Spike T-Nut.



Step 32

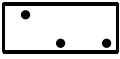
Attach **G22 Front Left Club House Rail** using 5" Hex Bolt, Flat Washer, Lock Washer and Spike T-Nut through G22 and E11 Floor Rail and C1 Tower Leg, and 2" Hex Bolt, Lock Washer, Flat Washer and Spike T-Nut through G22 and E11 Front Floor Rail.

Step 33

Attach **G23 Front Right Club House Rail** using 5" Hex Bolt, Lock Washer, Flat Washer and Spike T-Nut through E11 rail and C1 Tower Leg. And a 2" Hex Bolt with Lock Washer, Flat Washer and Spike T-Nut through E11 Floor Rail.

G24 * Right Club House Rail - Left * 3 Holes * 1 Req
 1 x 5-1/2 x 13 [2.54 x 13.97 x 33.02]

G25 * Right Club House Rail - Right * 3 Holes * 1 Req
 1 x 5-1/2 x 13 [2.54 x 13.97 x 33.02]

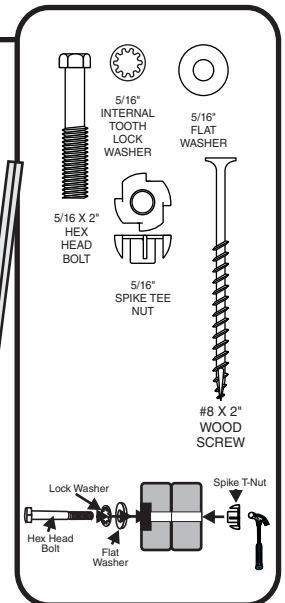
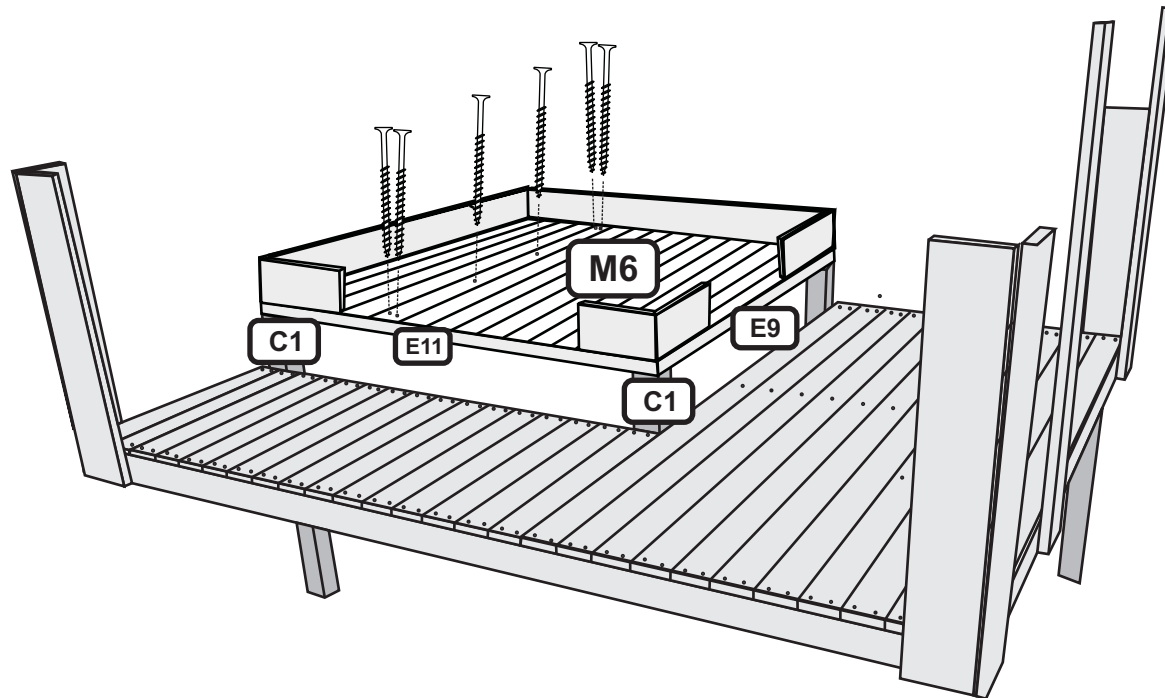
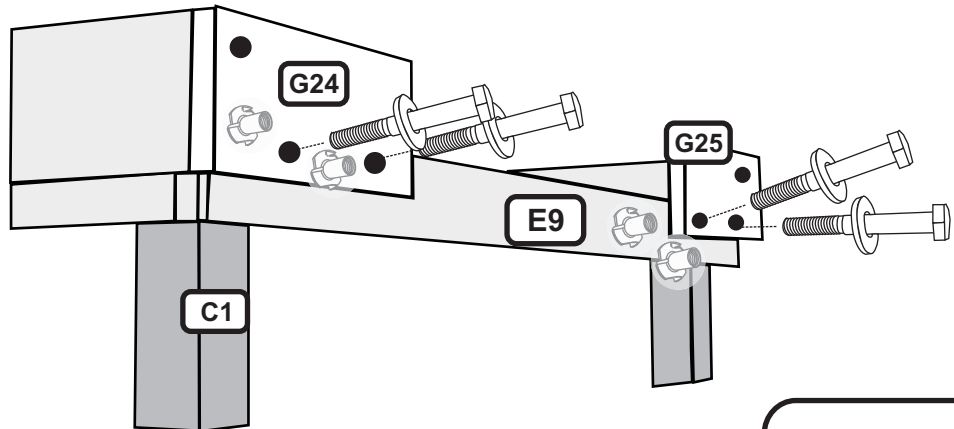


M6 * Upper Floor Board * 6 Holes * 16 Req
 11/16 x 3-3/8 x 53-3/4 [1.74 x 8.57 x 136.53]



Step 34

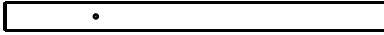
Attach **G24 Right Club House Rail** on left side of **E9** and **G25 Right Club House Rail** on right side of **E9** using 2" Hex Bolt, Lock Washer, Flat Washer and Spike T-Nut.



Step 35

Attach the **M6 Upper Floor Boards** with 2" Wood Screws to upper deck placing outside corners first and spacing remaining boards evenly.

C3 * Club House Post * 1 Holes * 2 Req
 3 x 3 x 41 [7.62 x 7.62 x 104.14]



G4 * Sculptured Rail * 4 Holes * 2 Req
 1 x 5-1/2 x 56 [2.54 x 13.97 x 142.24]



C4 * Club House Post * No Holes * 2 Req
 3 x 3 x 41 [7.62 x 7.62 x 104.14]

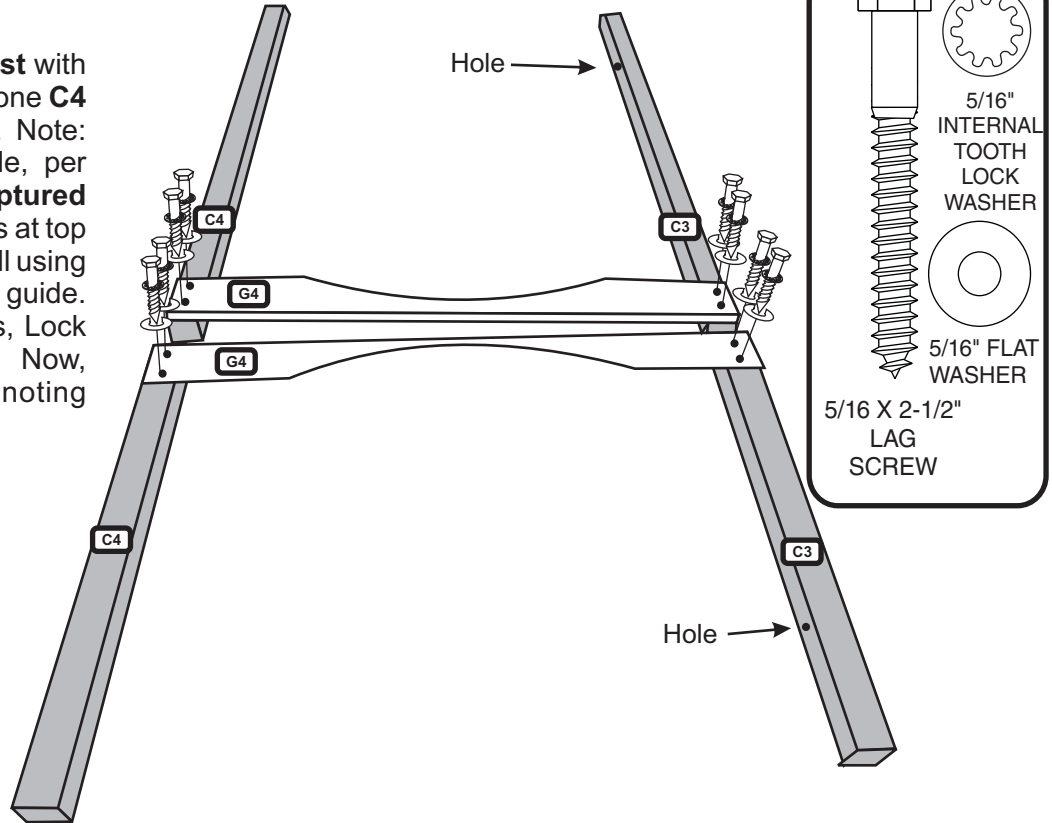


G8 * Tunnel Sculpture * 4 Holes * 1 Req
 1 x 5-1/2 x 56 [2.54 x 13.97 x 142.24]



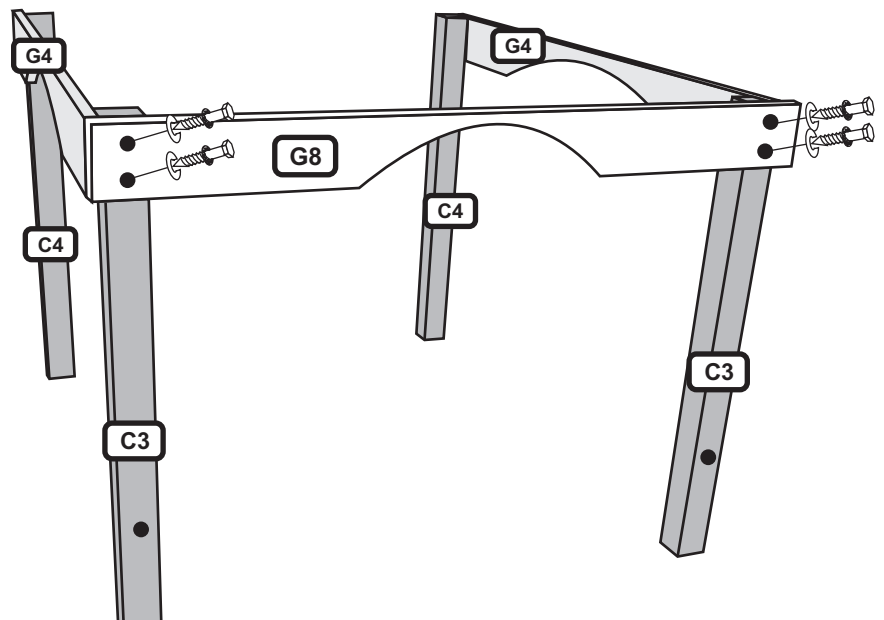
Step 36

Place one **C3 Club House Post** with one hole on ground and place one **C4 Club House Post** as shown. Note: hole in C3 Post down to side, per diagram. Position **G4 Sculptured Rail** flush with C3 and C4 Posts at top and sides per diagram. Pilot drill using 3/16" bit using holes in G4 as guide. Attach using 2 1/2" Lag Screws, Lock Washers and Flat Washers. Now, repeat on opposite side noting position of hole in C3.

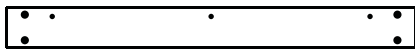


Step 37

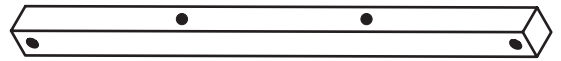
Stand up G4 and post assemblies. Attach **G8 Sculptured Rail** flushing with top of C3 Post and outside of G4 Rails. Pilot drill with 3/16" bit using holes in G8 as guide and attach using 2 1/2" Lag Screw, Lock Washer and Flat Washer.



G7 * Right Club House Rail * 7 Holes * 1 Req
 1 x 5-1/2 x 56 [2.54 x 13.97 x 142.24]



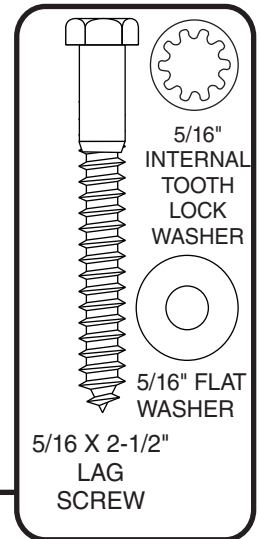
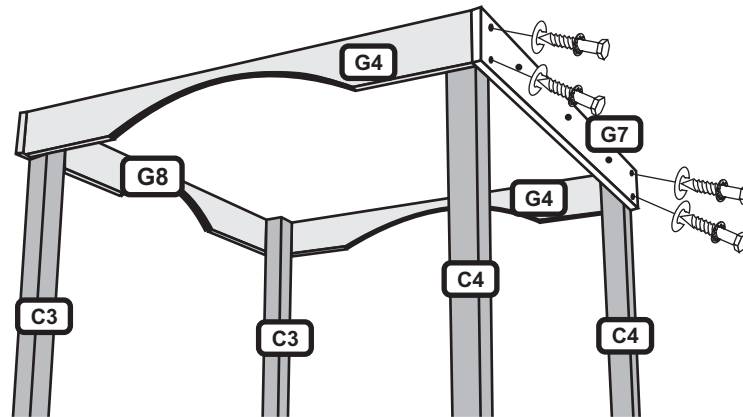
B3 * Tunnel Mounting Post * 4 Holes * 1 Req
 3 x 3 x 54 [7.62 x 7.62 x 137.16]



Step 38

Attach **G7 Right Club House Rail** to **C4 Posts** flushing with **G4 Sculptured Rails** and top of posts using **2 1/2" Lag Screws**, **Lock Washers** and **Flat Washers**. Using holes in **G7** as guides, pilot drill **3/16"** holes.

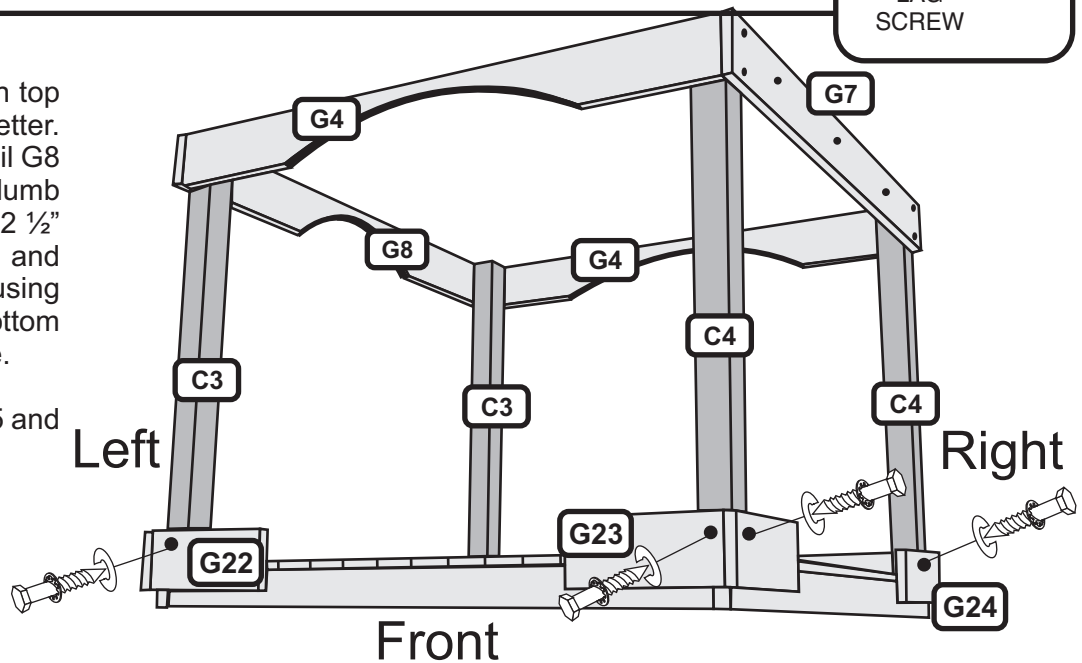
Note: Holes in **G7** toward top.



Step 39

Set Club House Structure on top floor, the more people the better. Note: Tunnel Sculptured Rail **G8** will be towards left. Now, plumb each corner post and insert **2 1/2" Lag Screws**, **Lock Washers** and **Flat Washers**. Pilot drill using **3/16"** bit at Club House Bottom Base Rails, one post at a time.

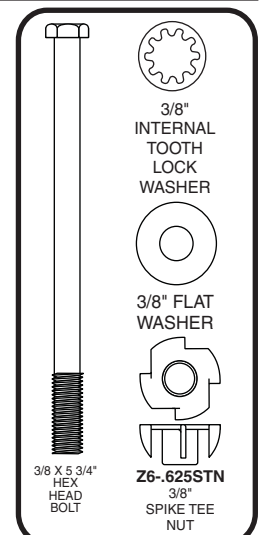
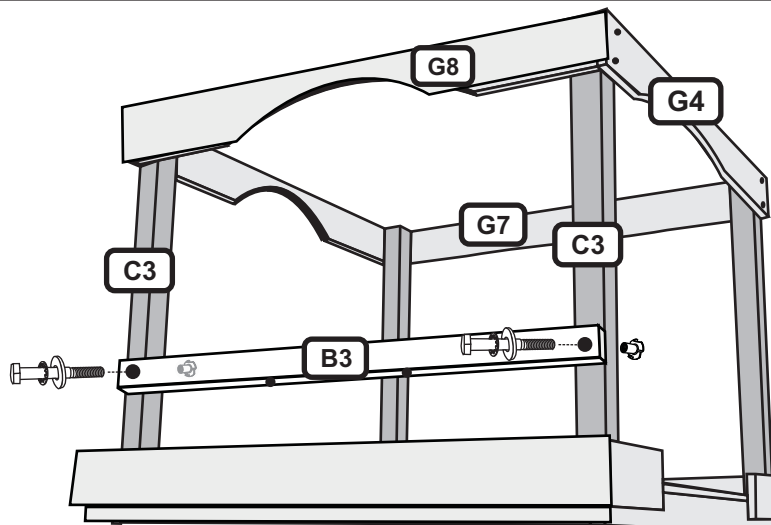
Note: Bottom Base Rails **G5** and **G6** not shown



Step 40

Attach **B3 Tunnel Mounting Post** to **C3** using **3/8 x 5 3/4" Hex Bolt**, **3/8" Lock Washer**, **3/8" Flat Washer** and **3/8" Spike T-Nut**.

Note: Two counter sink hole of **B3** must be down.



K3 * Club House Wall Board * 4 Holes * 4 Req
11/16 x 5-1/2 x 41 [1.74 x 13.97 x 104.14]

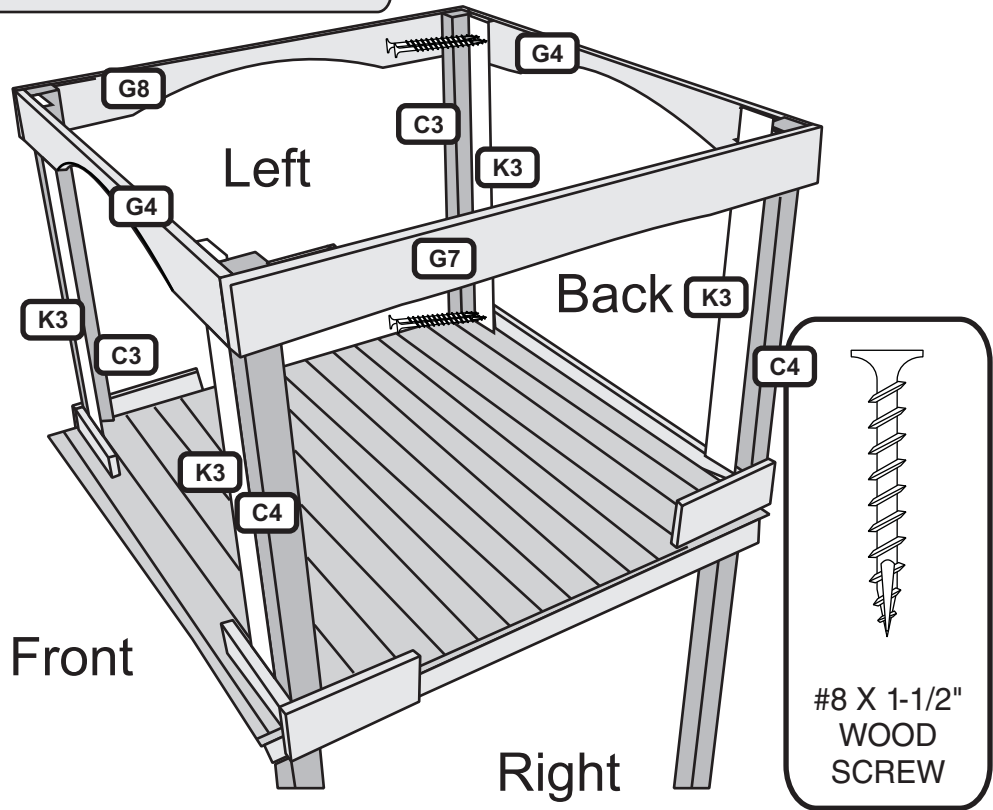
L4 * Club House Wall Board * 4 Holes * 12 Req
11/16 x 4-1/2 x 41 [1.74 x 11.43 x 104.14]



Now open and inventory Box 4
K3 & L4 Wall Boards are in this box.

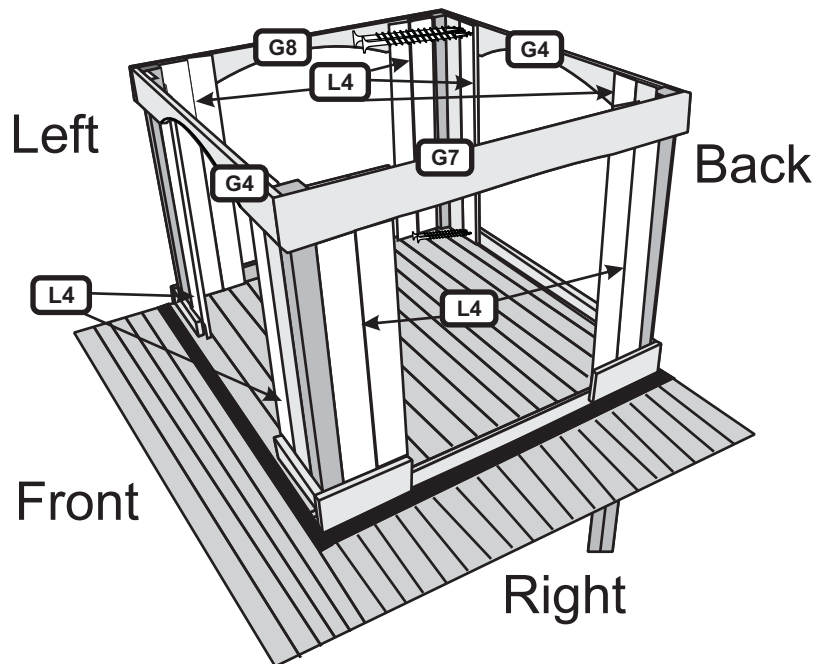
Step 41

Place four **K3 Club House Wall Boards** in four corners at front and back, attaching to G4 sides only, keep them tight against C3 and C4 Posts. Screw them in using 1 1/2" Wood Screws at top and bottom.

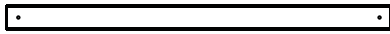


Step 42

Attach twelve **L4 Club House Wall Boards** per diagram, using 1 1/2" Wood Screws at top and bottom.



N2 * Club House Wall Board * 2 Holes * 2 Req
 11/16 x 2-1/2 x 41 [1.74 x 6.35 x 104.14]



M14 * Club House Wall Board * 4 Holes * 2 Req
 11/16 x 3-3/8 x 41 [1.74 x 8.57 x 104.14]

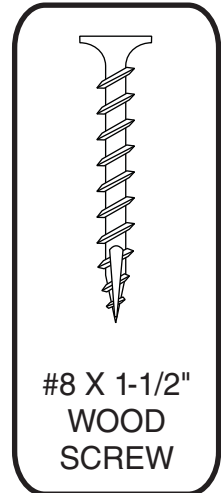
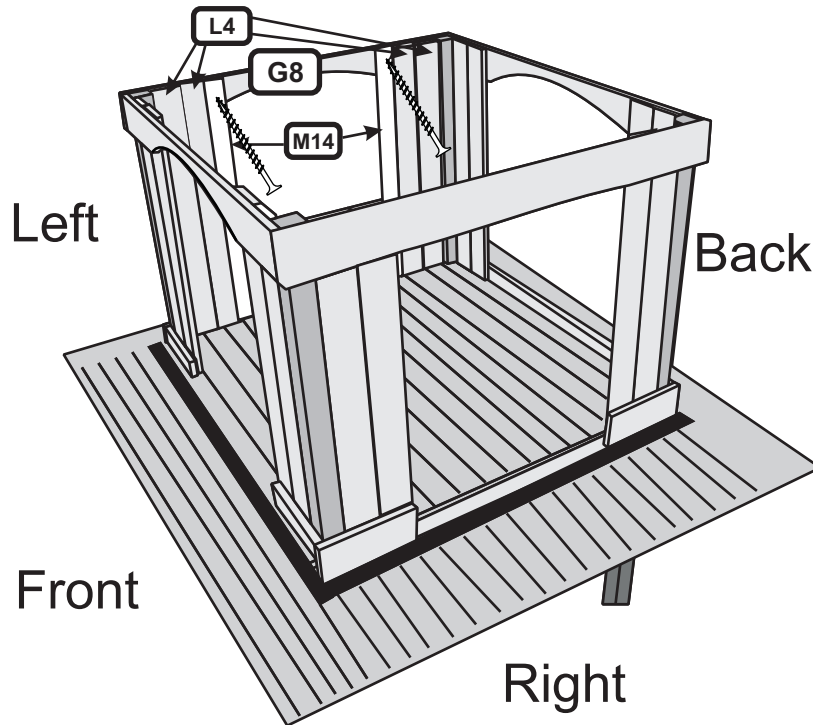


L9 * Club House Wall Board * 4 Holes * 4 Req
 11/16 x 4-1/2 x 14-1/4 [1.74 x 11.43 x 36.20]



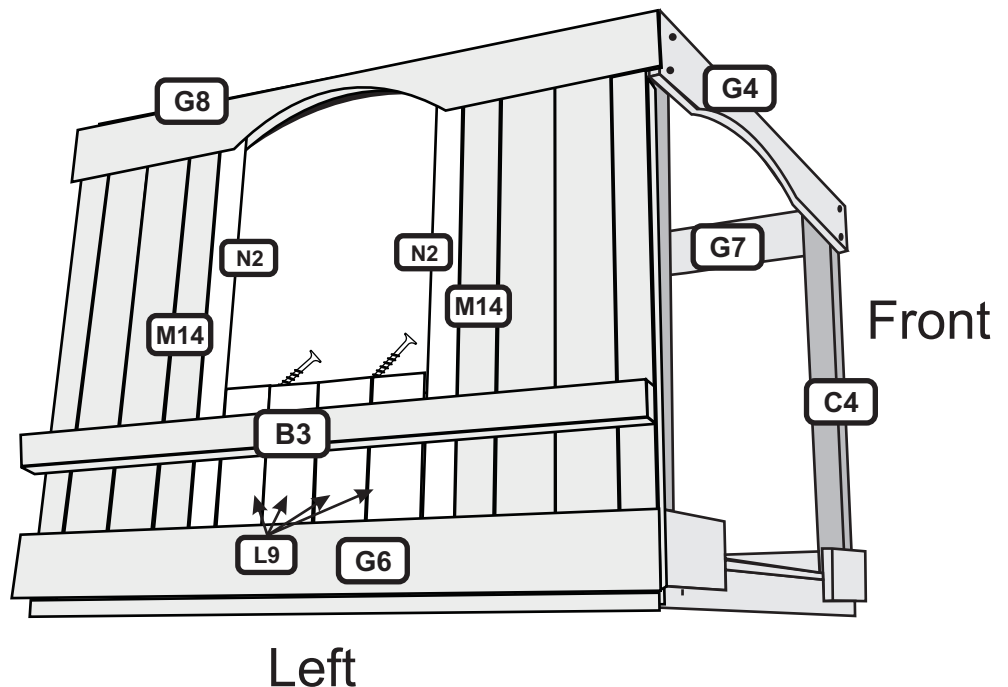
Step 43

Attach two **M14 Club House Wall Board** on each side against L4's on left side of club house using 1 1/2" Wood Screws at top and bottom.



Step 44

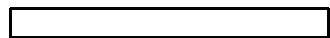
Place two **N2 Club House Wall Boards** against M14 on left side of club house structure using 1 1/2" Wood Screws at top and bottom. Evenly space four **L9 Club House Wall Boards** between N2 boards on left side of club house structure, paying attention that holes closet to edge are at club house floor, attach to B3 and G6 using 1 1/2" Wood Screws.



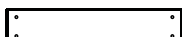
M23 * Wall Board * 4 Holes * 2 Req
 11/16 x 3-3/8 x 23 [1.74 x 8.57 x 58.42]



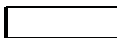
M16 * Window Trim * No Holes * 1 Req
 11/16 x 3-3/8 x 37 [1.74 x 8.57 x 93.98]



L6 * Club House Wall Board * 4 Holes * 5 Req
 11/16 x 4-1/2 x 23 [1.74 x 11.43 x 58.42]

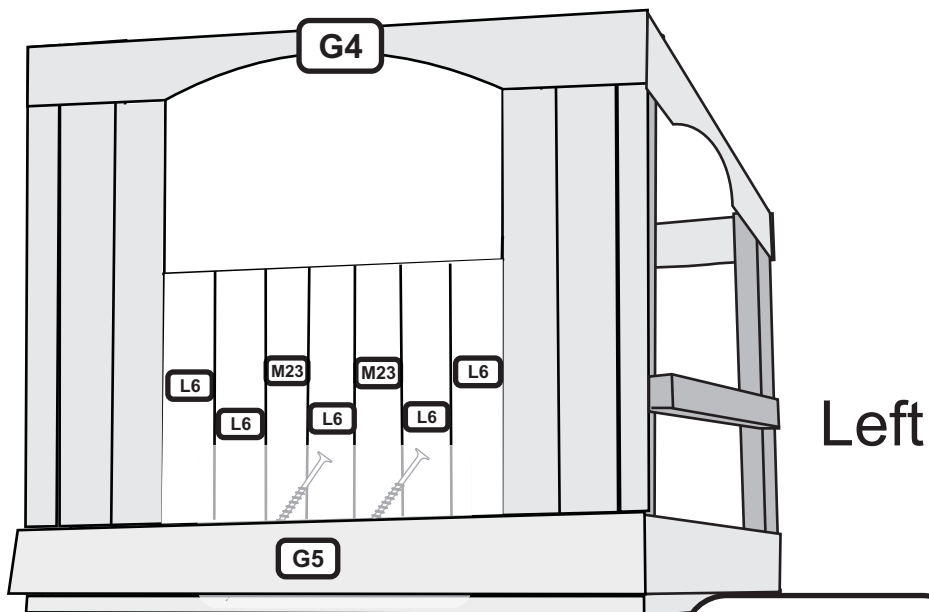


M30 * Window Trim * No Holes * 2 Req
 11/16 x 3-3/8 x 12-1/2 [1.74 x 8.57 x 31.75]



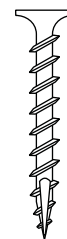
Step 45

Lay out five **L6 Club House Wall Boards** and two **M23 Wall Boards** per diagram, spacing evenly, and attach to **G5 Base Rail** using 1 1/2" Wood Screws.

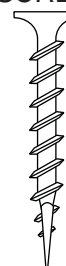


Back

#8 X 1-1/4"
WOOD
SCREW

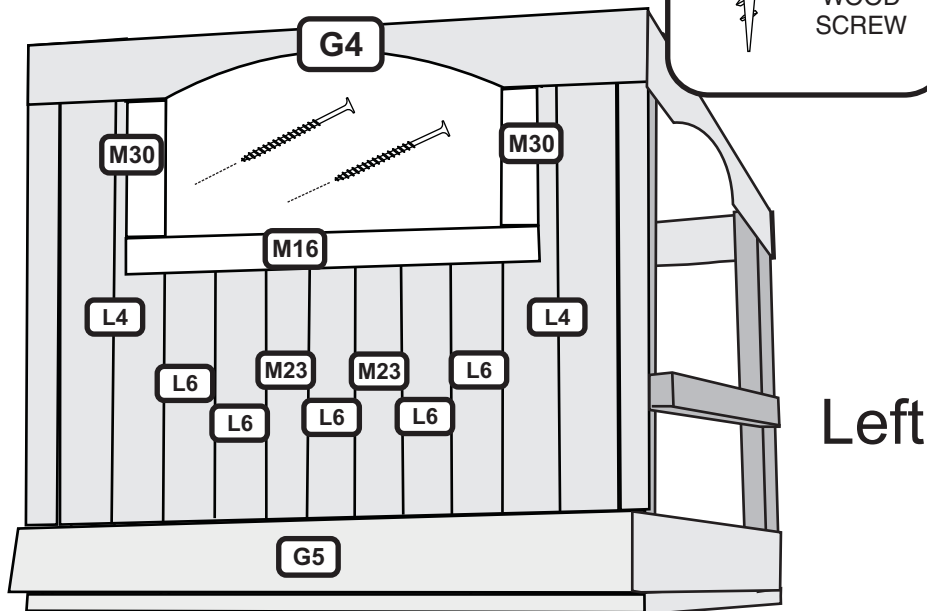


#8 X 1-1/2"
WOOD
SCREW



Step 46

Place two **M30 Window Trim Boards** on backside of club house structure pushing against arch and flush with **L4 Wall Boards**, attach with two 1 1/4" Wood Screws on each side from inside of club house structure. Place **M16 Window Trim Board** against each Window Side Trim Boards and install using two 1 1/4" Wood Screws per side, through inside of **L4 Wall Boards**. Finish attaching by placing 1 1/4" Wood Screws in each of small Wall Boards to Window Trim.



Back

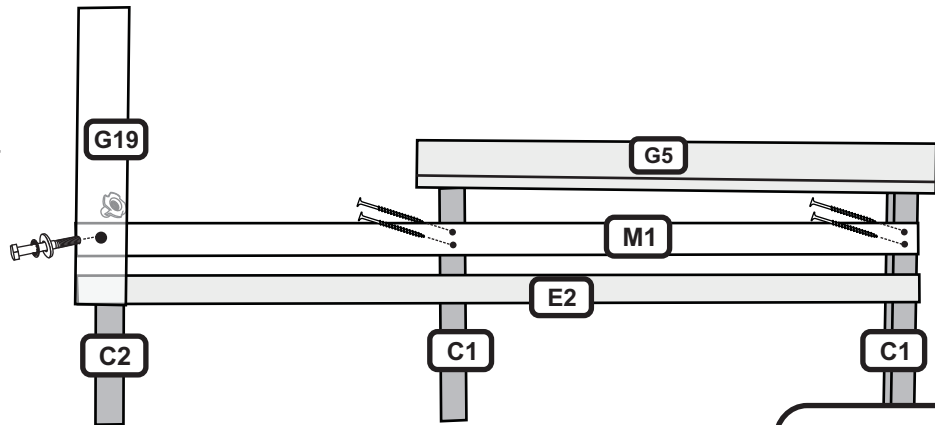
M1 * Wall Rail * 5 Holes * 1 Req
 11/16 x 3-3/8 x 91-1/2 [1.74 x 8.57 x 232.41]

M9 * Floor Spacer * 4 Holes * 1 Req
 11/16 x 3-3/8 x 52-1/2 [1.74 x 8.57 x 133.35]

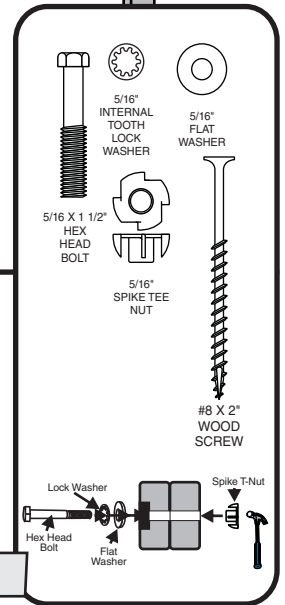


Step 47

To attach **M1 Wall Rail**, drive 5/16" Spike T-Nut into 3/8" pre-drilled hole. Now attach M1 Rail to backside of G19 back Rail Corner using 1 1/2" Hex Bolt, Lock Washer and Flat Washer. Finish attaching M1 Wall Rail using level to plumb rail and attach to C1 Tower Legs using 2" Wood Screws.

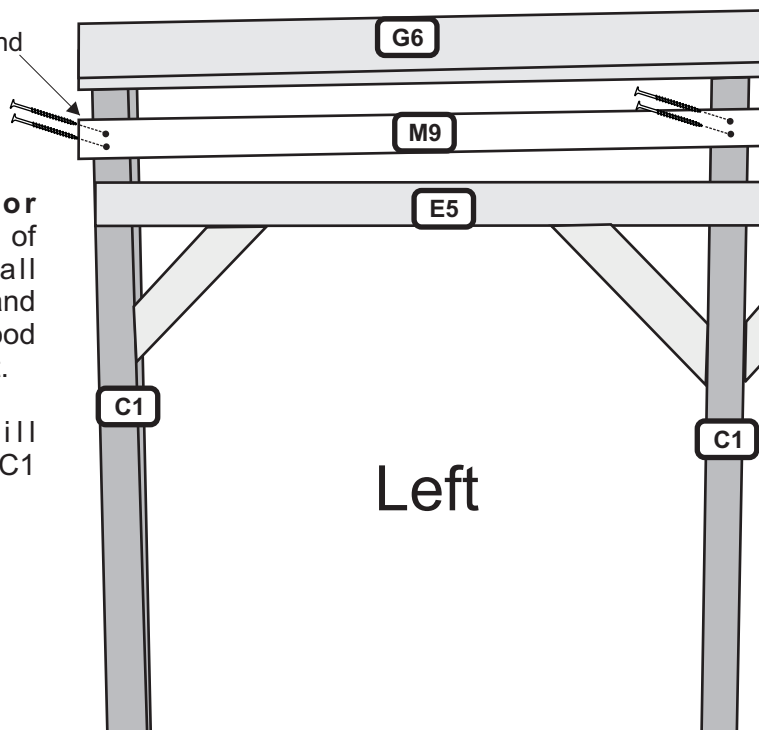


Back



Step 48

Flush this end with M1




Left

Attach **M9 Floor Spacer** to left side of Club House Wall leveling with M1 and attach with 2" Wood Screws into C1 Post.

Note: M9 will overhang on right C1 Tower Leg.


M8 * Floor Spacer * 4 Holes * 1 Req
 11/16 x 3-3/8 x 53 [1.74 x 8.57 x 134.62]

 (In box 4)

H2 * Wall Rail * 6 Holes * 1 Req
 1 x 3-1/2 x 79-1/2 [2.54 x 8.89 x 201.93]

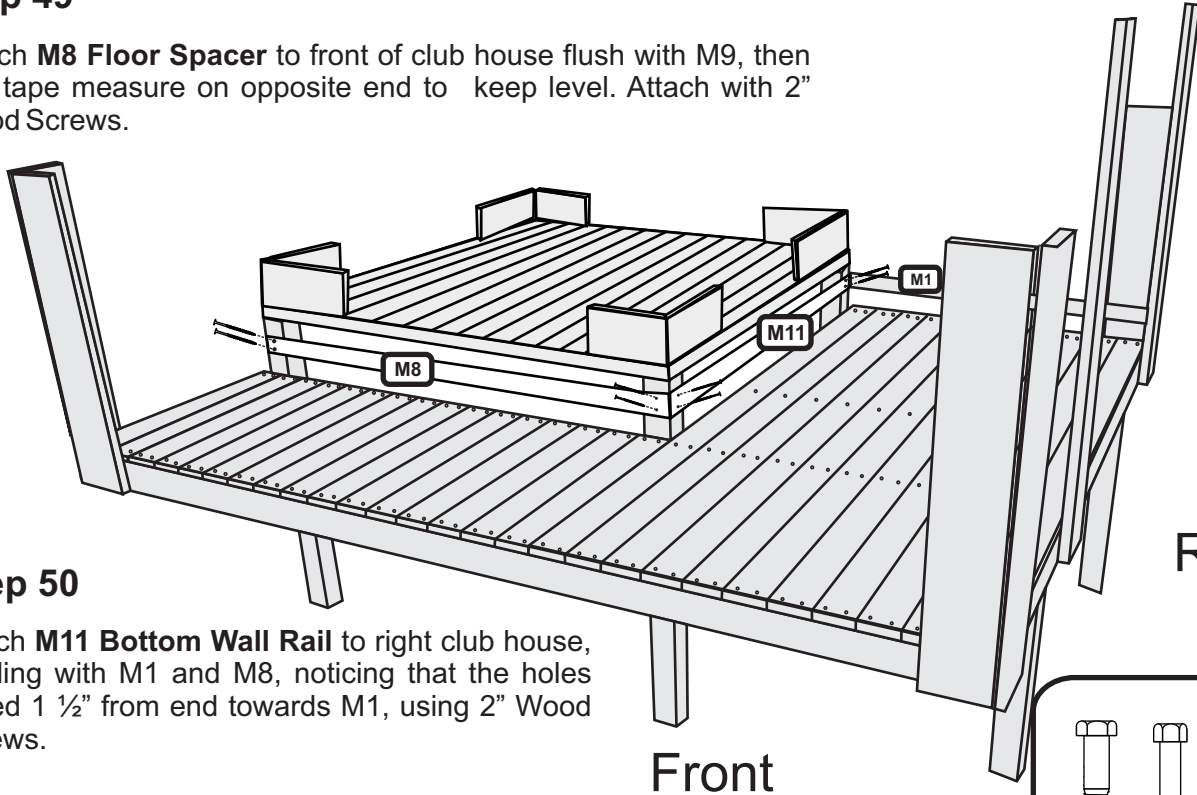


M11 * Bottom Wall Rail * 4 Holes * 5 Req
 11/16 x 3-3/8 x 51-3/4 [1.74 x 8.57 x 131.45]

 (In box 4)

Step 49

Attach **M8 Floor Spacer** to front of club house flush with M9, then use tape measure on opposite end to keep level. Attach with 2" Wood Screws.



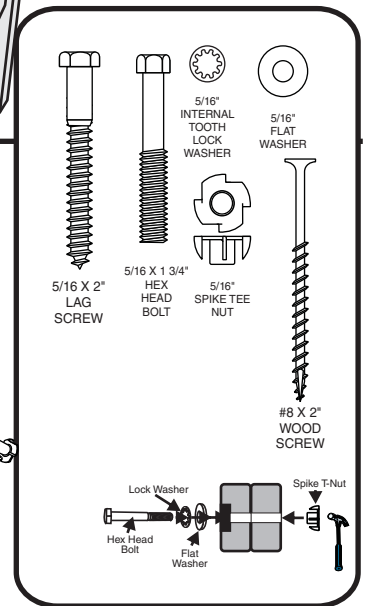
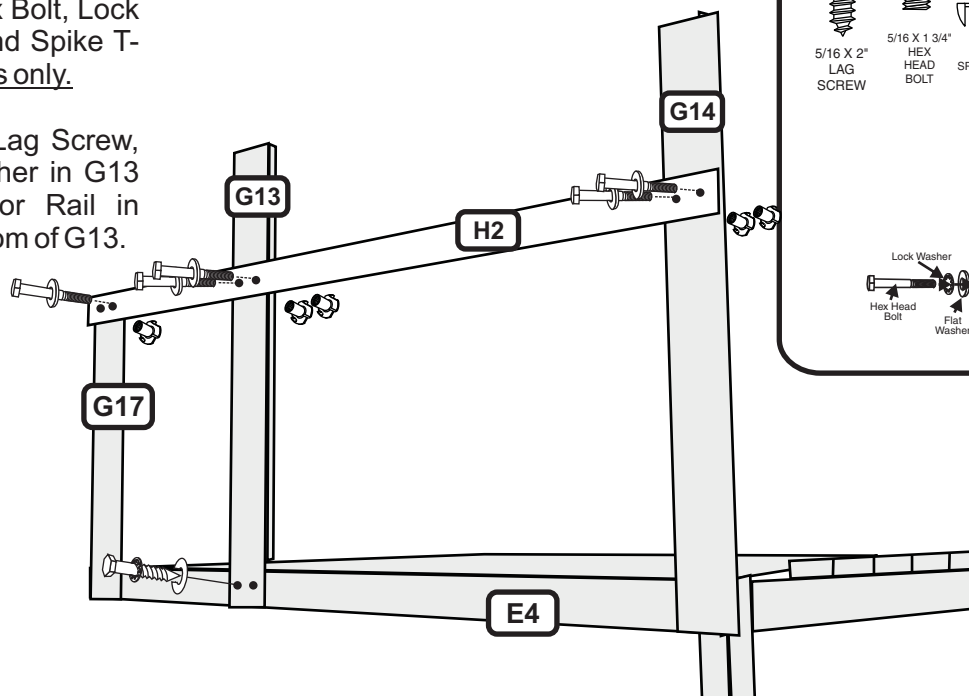
Step 50

Attach **M11 Bottom Wall Rail** to right club house, leveling with M1 and M8, noticing that the holes drilled 1 1/2" from end towards M1, using 2" Wood Screws.

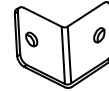
Step 51

Attach **H2 Wall Rail** to G14, G13 and G17 using 1 3/4" Hex Bolt, Lock Washer, Flat Washer and Spike T-Nut, in countersunk holes only.

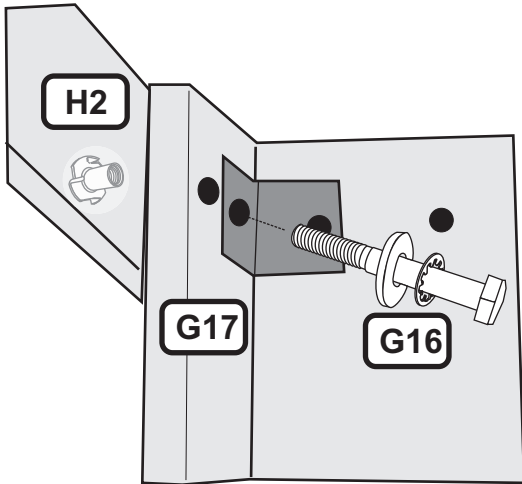
At this point, use a 2" Lag Screw, Lock Washer, Flat Washer in G13 and fasten to E4 Floor Rail in countersunk hole in bottom of G13.



H1 * Wall Rail * 6 Holes * 1 Req
 1 x 3-1/2 x 92.5 [2.54 x 8.89 x 234.95]

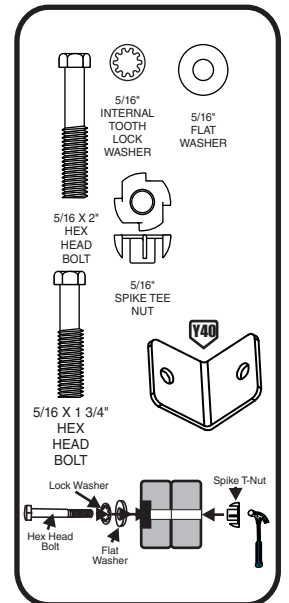


2" x2" METAL
 BRACKET
 6 REQUIRED



Step 52

Attach one Y40 L-Bracket to inside of G17 Right Rail corner using 2" Hex Bolt, Lock Washer, Flat Washer and Spike T-Nut through right porch corner into H2 Wall Rail.



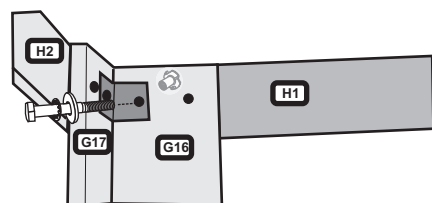
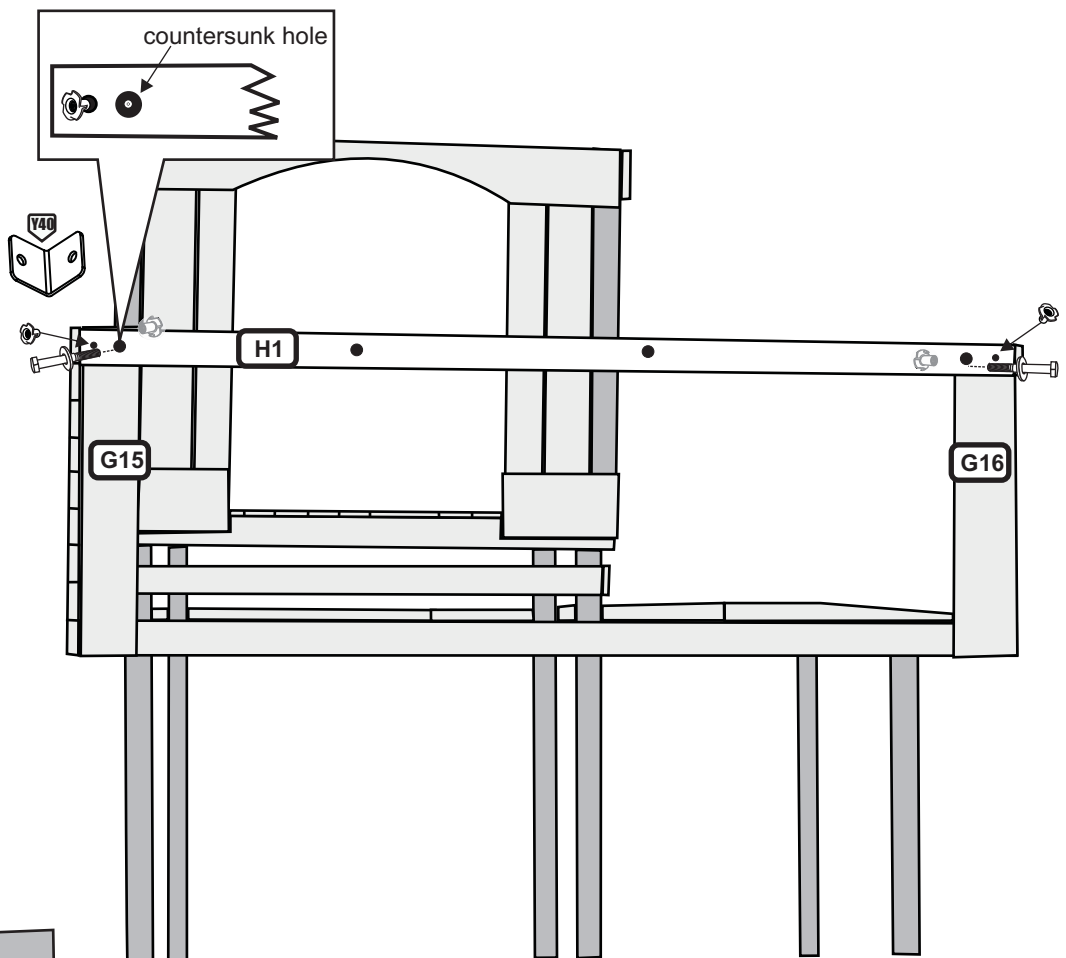
Step 53

Insert two Spike T-Nuts in each end of **H1 Wall Rail** in non countersunk holes on same side as countersunk holes.

Attach H1 Wall Rail to G15 and G16 using 1 3/4" Hex Bolt, Lock Washer, Flat Washer and Spike T-Nut in countersunk holes.

Now use 2" Hex Bolt, Lock Washer and Flat Washer thru Y40 on G16 on right side.

Now install Y40 L-Bracket on inside of G15 left side using 2" Hex Bolt, Lock Washer and Flat Washer into Spike T-Nut.



H9 * Top Wall Rail * 4 Holes * 1 Req
1 x 3-1/2 x 23-1/2 [2.54 x 8.89 x 59.69]



H7 * Wall Board * 4 Holes * 1 Req
1 x 3-1/2 x 32 [2.54 x 8.89 x 81.28]



M26 * Top Wall Rail * 2 Holes * 1 Req
11/16 x 3-3/8 x 22-1/2 [1.74 x 8.57 x 57.15]



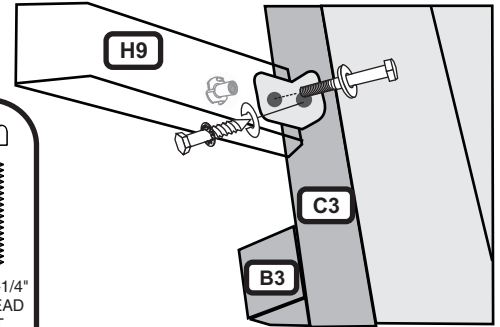
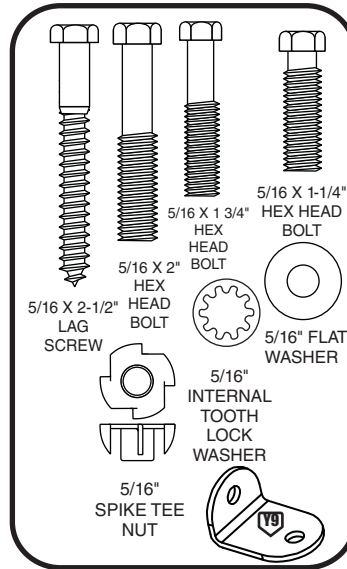
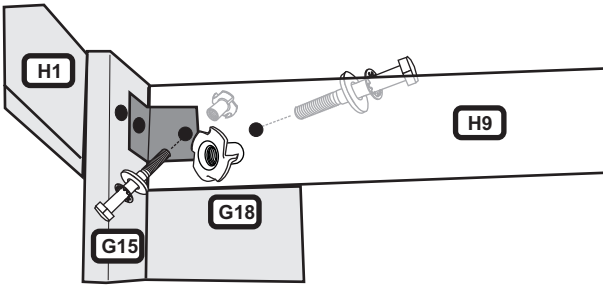
2" x 1" METAL BRACKET
2 REQUIRED

Step 54

Attach **H9 Top Wall Rail** to **G18 Left Corner Rail** using 2" Hex Bolt, Lock Washer, Flat Washer and Spike T-Nut thru **Y40 L-Bracket** and **H9 Rail**.

Now use 1 3/4" Hex Bolt, Lock Washer and Flat Washer thru countersunk hole in **G18** using Spike T-Nut in back of **H9**.

Attach **Y9 L-Bracket** to inside of **H9** using 1 1/4" Hex Bolt, Lock Washer, Flat Washer and Spike T-Nut level **H9 Rail** and fasten to **C3 Post** using 2 1/2" Lag Screw, Lock Washer and Flat Washer.



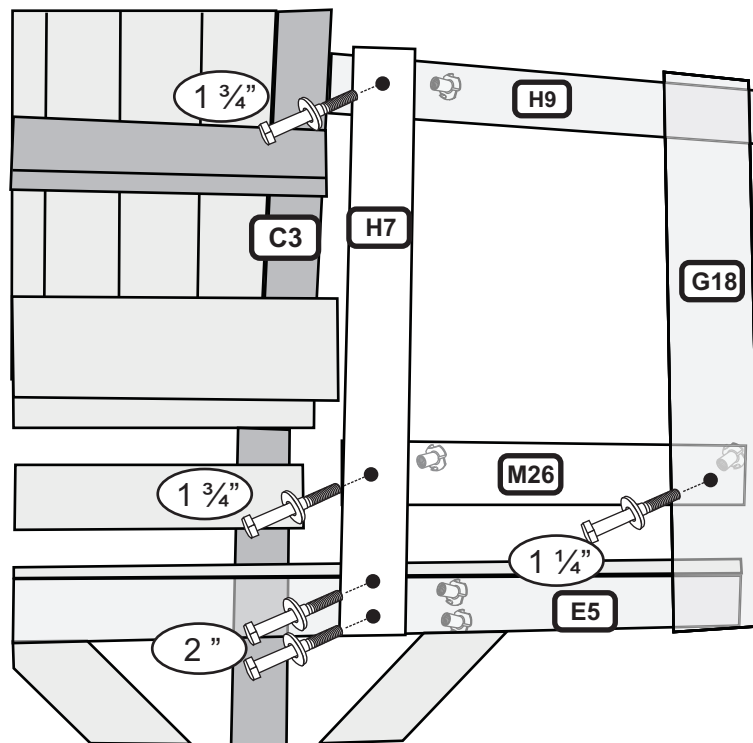
Step 55

Attach **H7 Wall Board**, countersinks out, to **H9** using 1 3/4" Hex Bolt, Lock Washer, Flat washer and Spike T-Nut and 2" Hex Bolts, Lock Washer, Flat Washer and Spike T-Nut to **E5 Floor Rail**.

Step 56

Attach **M26 Top Wall Rail** to inside of **H7** and **G18**, using 1 1/4" Hex Bolt, Lock Washer, Flat Washer and Spike T-Nut.

Note: before installing **M26**, you will need to install 2 Spike T-Nuts into back of **G15 Front Left Corner Rail**.



H5 * Wall Board * 6 Holes * 1 Req
1 x 3-1/2 x 32 [2.54 x 8.89 x 81.28]



H3 * Wall Rail * 4 Holes * 1 Req
1 x 3-1/2 x 63-1/2 [2.54 x 8.89 x 161.29] (In box 4)



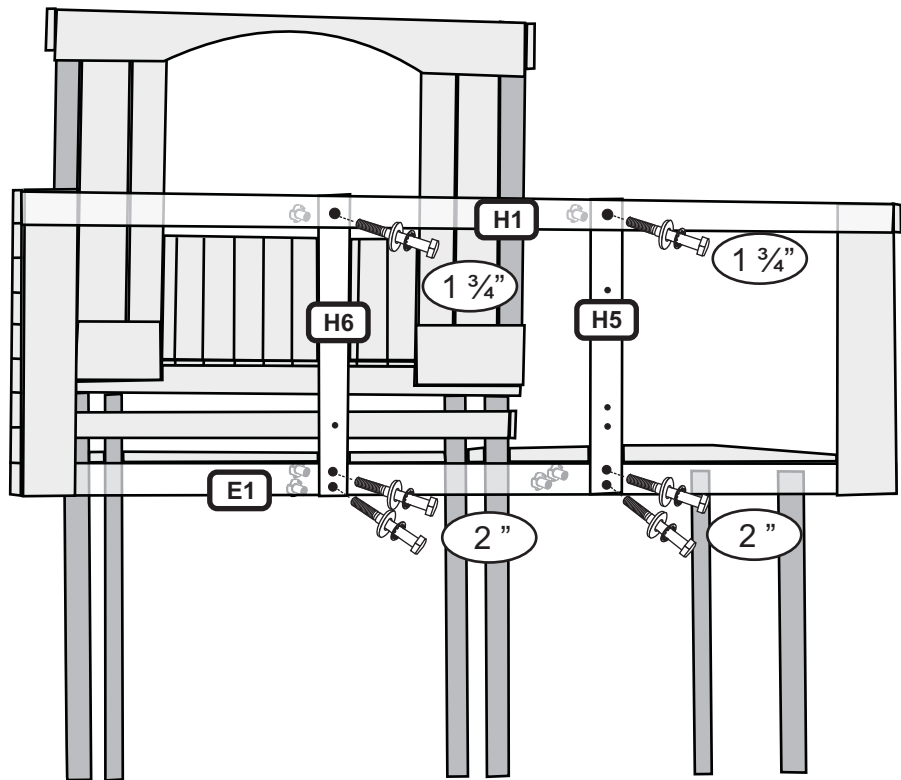
H6 * Wall Board * 4 Holes * 1 Req
1 x 3-1/2 x 32 [2.54 x 8.89 x 81.28]



Step 57

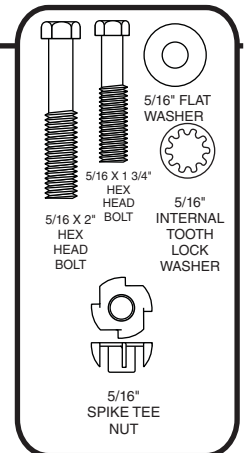
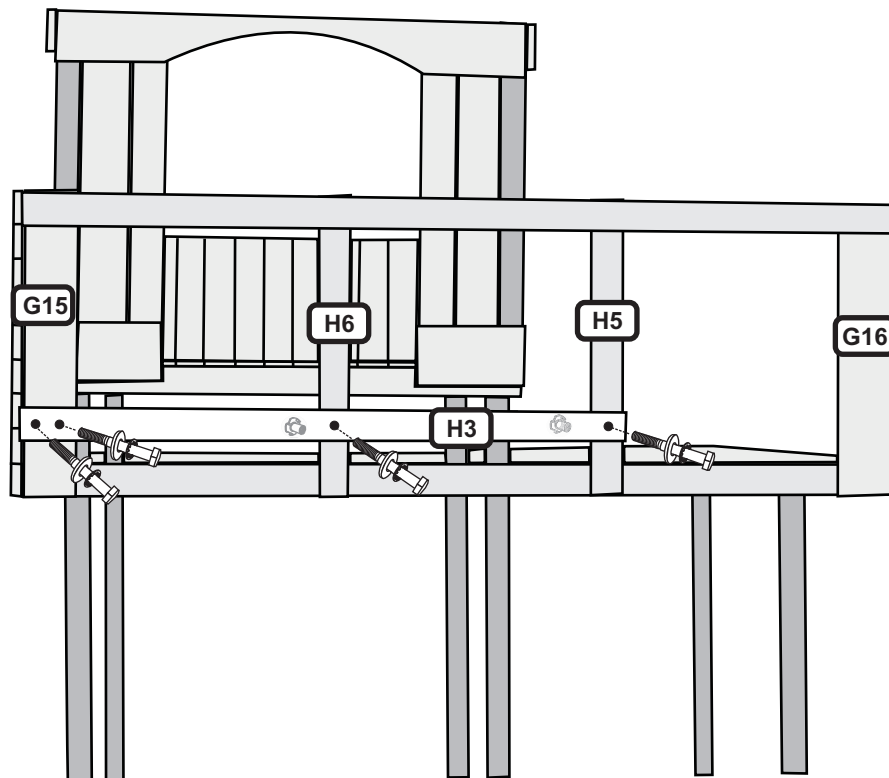
Attach **H6 Wall Board** to back of **H1** using 1 3/4" Hex Bolt, Lock Washer, Flat Washer and Spike T-Nut. Attach H6 to **E1 Floor Rail** using 2" Hex Bolt, Lock Washer, Flat Washer and Spike T-Nut.

Now attach **H5 Wall Board** to the back of **H1** using 1 3/4" Hex Bolt, Lock Washer, Flat Washer and Spike T-Nut. Attach **H5** to **E1** using 2" Hex Bolt, Lock Washer, Flat Washer and Spike T-Nut to **E1 Floor Rail**.



Step 58

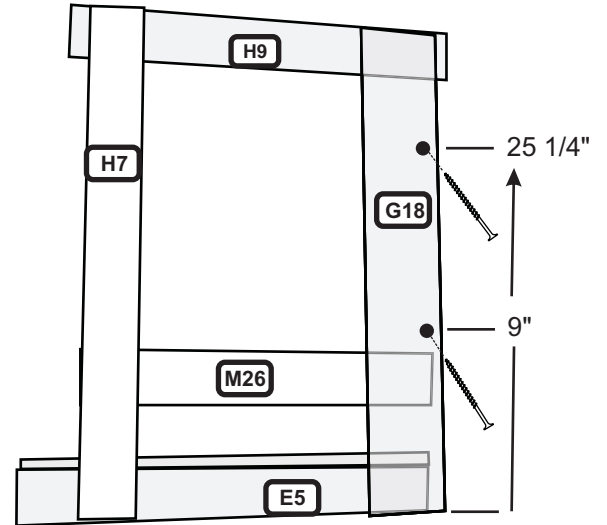
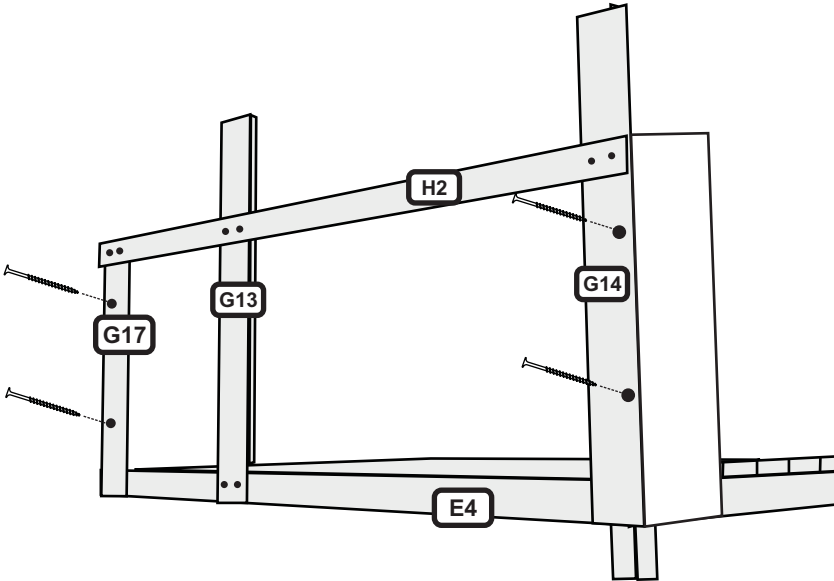
Attach **H3 Wall Rail** to **G15**, **H6** and **H5** using 1 3/4" Hex Bolt, Lock Washer, Flat Washer and Spike T-Nut.



M17 * Wall Board * 4 Holes * 2 Req
11/16 x 3-3/8 x 32 [1.74 x 8.57 x 81.28]



M29 * Wall Rail * 4 Holes * 1 Req
11/16 x 3-3/8 x 16 [1.74 x 8.57 x 40.64]



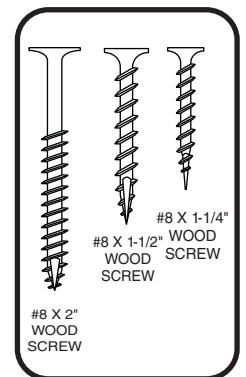
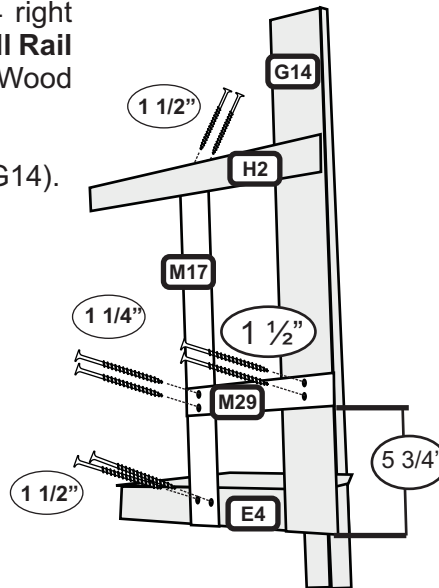
Step 59

Measure up 9" and 25 1/4" from bottom of Floor Rails on each Corner Rail G17, G18 and G14, using 1/8" drill bit, pilot drill 1/2" from edge and insert 2" Wood Screws as shown.

Step 60

Measure up 5 3/4" from bottom of G14 right Porch Support and mark. Place **M29 Wall Rail** at mark and level. Attach using two 1 1/2" Wood Screws.

Note: Holes further from edge, attach at G14).



Step 61

Attach **M17 Wall Board** making sure it is flush at E4 Bottom Floor Rail and H2 Top Wall Rail, using 1 1/2" Wood Screws and then level M29 and attach to M17 using 1 1/4" Wood Screws.

M15 * Wall Rail * 6 Holes * 1 Req
 11/16 x 3-3/8 x 39-1/2 [1.74 x 8.57 x 100.33]

M22 * Wall Board * 4 Holes * 20 Req
 11/16 x 3-3/8 x 24 [1.74 x 8.57 x 60.96]



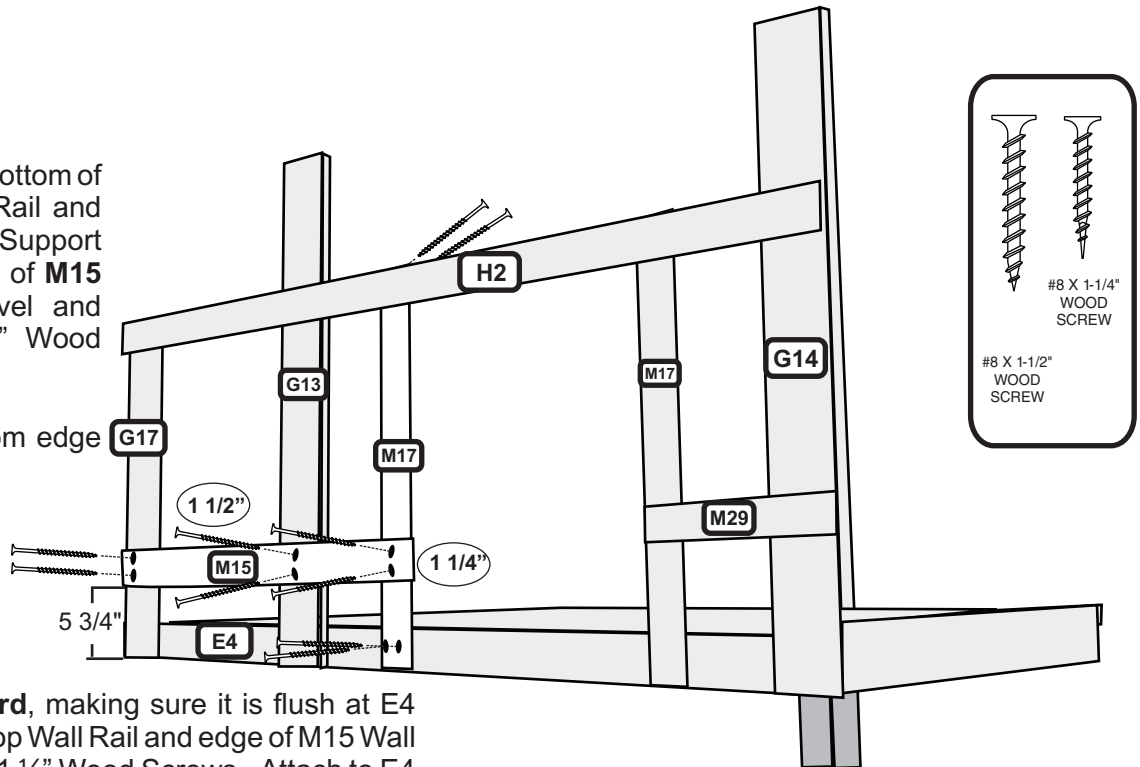
M17 * Wall Board * 4 Holes * 2 Req
 11/16 x 3-3/8 x 32 [1.74 x 8.57 x 81.28]



Step 62

Measure up 5 3/4" from bottom of both G17 right Corner Rail and G13 Wall Rail Left Porch Support and mark. Place bottom of **M15 Wall Rail** at mark, level and attach using four 1 1/2" Wood Screws.

Note: holes at 2 3/4" from edge towards G17.



Step 63

Position **M17 Wall Board**, making sure it is flush at E4 Bottom Floor Rail, H2 Top Wall Rail and edge of M15 Wall Rail. Attach to H2 using 1 1/2" Wood Screws. Attach to E4 Bottom Floor Rail using 1 1/2" Wood Screws. Then insert two 1 1/4" Wood Screws and finish attaching M15 to M17.

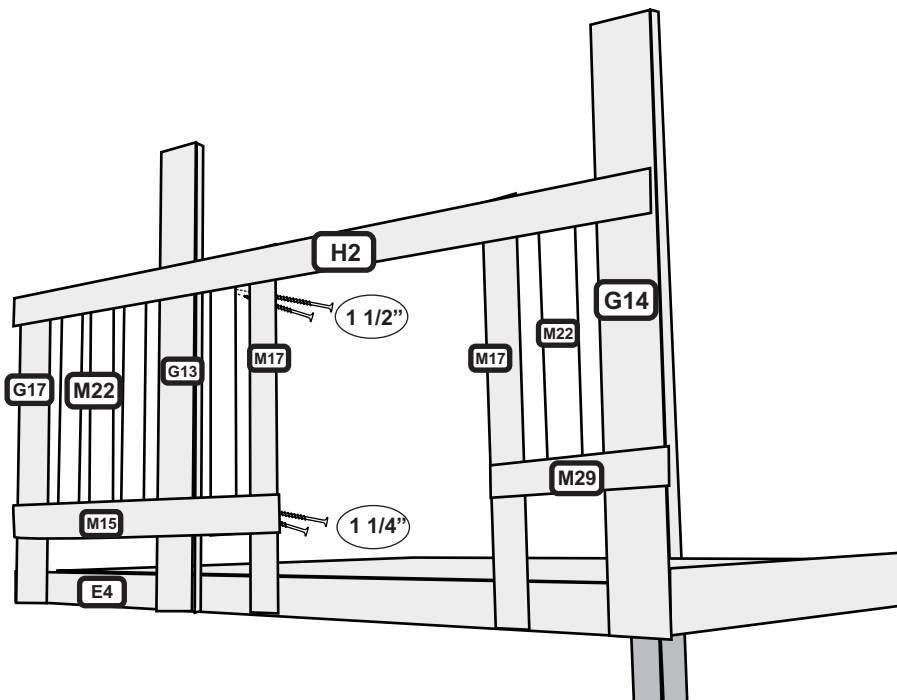
Step 64

Attach **M22 Wall Board**, spacing approximately 1 7/8" from G14 with 1 1/2" Wood Screw at H2 and 1 1/4" Wood Screw at M29.

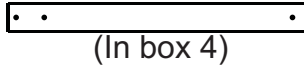
Step 65

Attach one M22 Wall Board to H2 top Rail with 1 1/2" Wood Screw and attach to M15 Bottom Rail with 1 1/4" Wood Screw, approximately 2" from M17 and G13.

Attach 3 more M22 between G17 and G13, approximately 2" apart using 1 1/2" Wood Screw at H2 and 1 1/4" Wood Screw at M15.



H4 * Wall Rail * 3 Holes * 1 Req
 1 x 3-1/2 x 37 [2.54 x 8.89 x 93.98]



(In box 4)



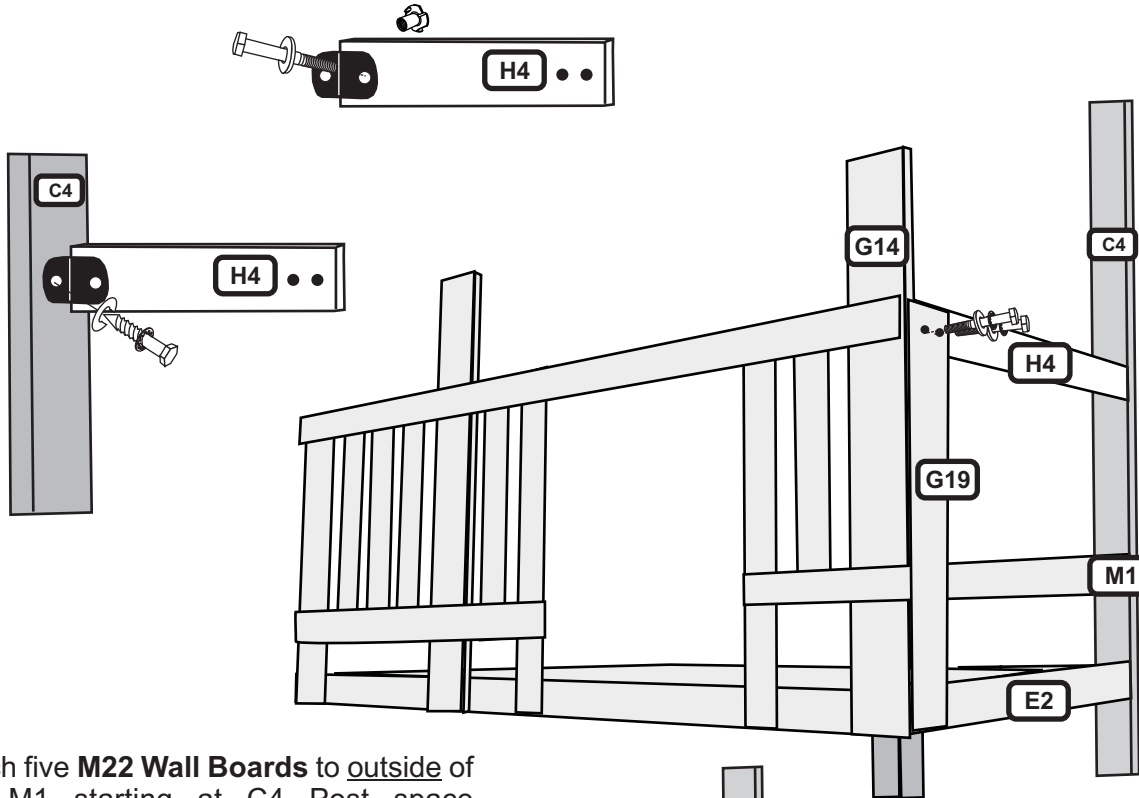
2" x 1" METAL
 BRACKET
 2 REQUIRED

M22 * Wall Board * 4 Holes * 20 Req
 11/16 x 3-3/8 x 24 [1.74 x 8.57 x 60.96]

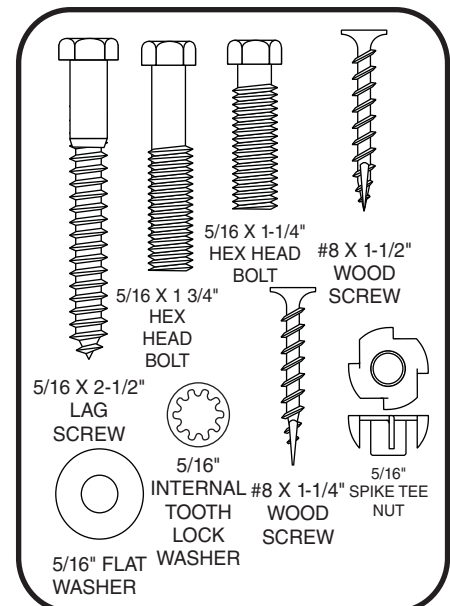
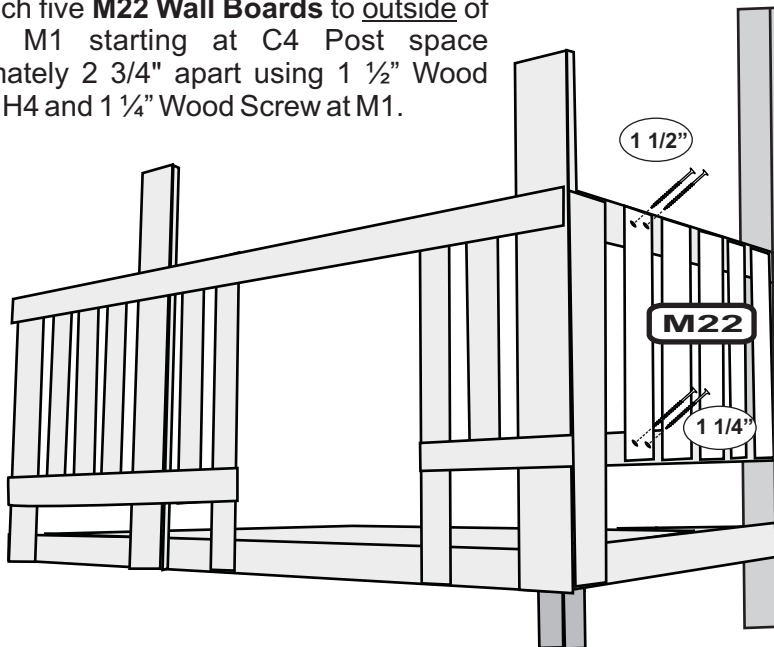


Step 66

Attach **Y9 L-Bracket** to **H4 Wall Rail** per diagram, using 1 1/4" Hex Bolt, Lock Washer, Flat Washer and Spike T-Nut. Then attach H4 to G19 using 1 3/4" Hex Bolts, Lock Washers, Flat Washers and Spike T-Tuts. Level and attach H4, Y9 to C4 Post using 2 1/2" Lag Screw, Lock Washer and Flat Washer.



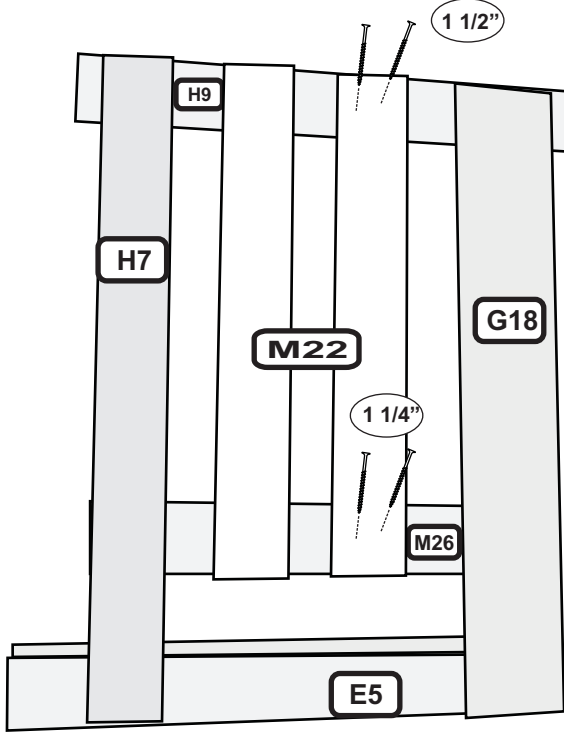
Now attach five **M22 Wall Boards** to outside of H4 and M1 starting at C4 Post space approximately 2 3/4" apart using 1 1/2" Wood Screw at H4 and 1 1/4" Wood Screw at M1.



16 1/2"
METAL GRIP
4 REQUIRED

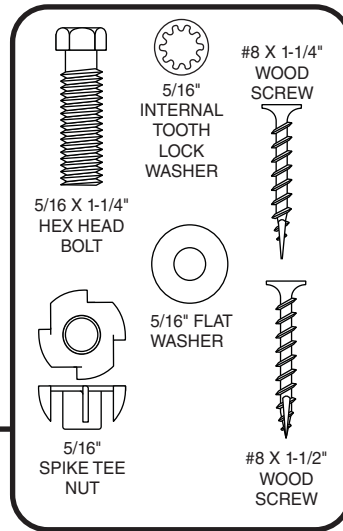


M22 * Wall Board * 4 Holes * 20 Req
11/16 x 3-3/8 x 24 [1.74 x 8.57 x 60.96]



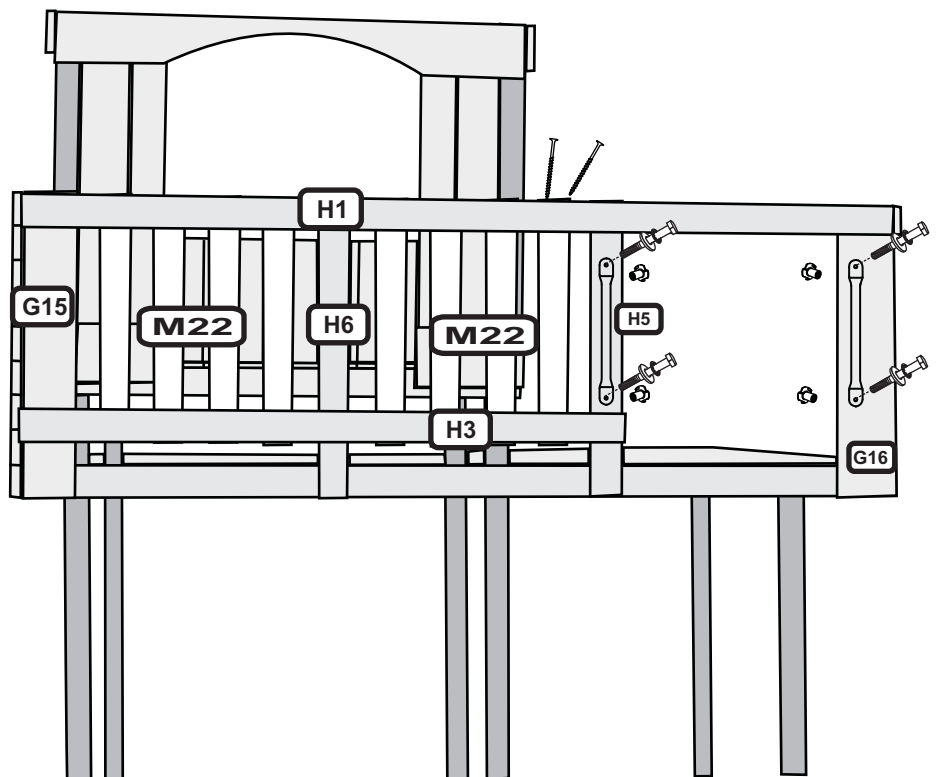
Step 67

Attach two M22 Wall Boards to outside of H9 and M26 on left side of tower approximately 2 5/8" apart using 1 1/2" Wood Screw at H9 and 1 1/4" Wood Screw at M26.



Step 68

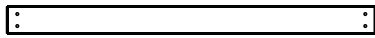
Install four M22 Wall Boards on front of playset. Starting from left, on inside of H1 and H3 Wall Rails, approximately 2 3/8" from uprights, flush to bottom of Wall Rail, attach using 1 1/2" Wood Screws. Finish front of playset Wall Structure with four M22 Wall Boards approximately 2 1/2" apart flushing Wall Board with bottom Wall Rail. Attach using 1 1/2" Wood Screws.



Step 69

Attach Y30 Short Hand Grips to H5 and G16 using 1 1/4" Hex Bolts, Lock Washers, Flat Washers and Spike T-Nuts.

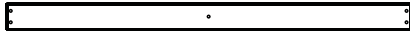
M13 * Bottom Wall Board * 4 Holes * 2 Req
 11/16 x 3-3/8 x 46 [1.74 x 8.57 x 116.84]



N1 * Bottom Floor Board * 3 Holes * 1 Req
 11/16 x 2-1/2 x 53 [1.74 x 6.35 x 134.62]



M7 * Bottom Floor Board * 5 Holes * 13 Req
 11/16 x 3-3/8 x 53 [1.74 x 8.57 x 134.62]



G2 * Sculptured Rail * 6 Holes * 1 Req
 1 x 5-1/2 x 90 [2.54 x 13.97 x 228.60]



L3 * Bottom Floor Board * 4 Holes * 1 Req
 11/16 x 4-1/2 x 45 [1.74 x 11.43 x 114.30]

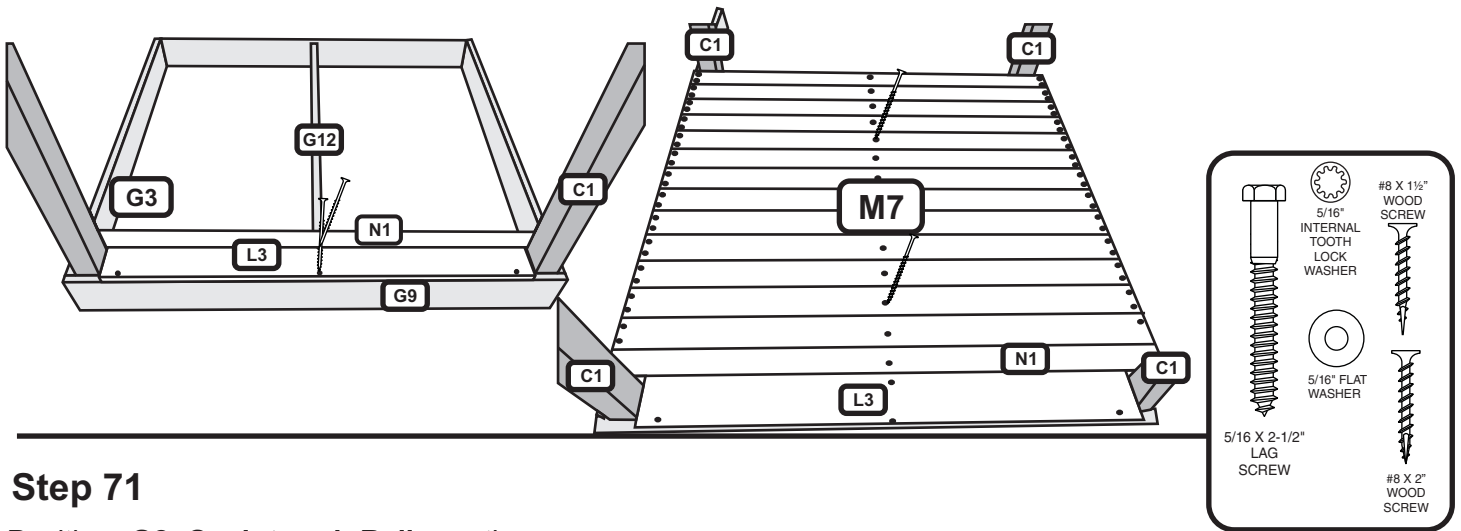


J1 * Bottom Wall Rail * 1 Holes * 2 Req 11/16 x 4-1/2 x 46 [1.74 x 11.43 x 116.84]
 1 x 2-1/2 x 11 [2.54 x 6.35 x 27.94]



Step 70

Position one **L3 Bottom Floor Board** between C1 Tower Legs at left side of unit. Flush with outside of G9 Base Board and attach using 2" Wood Screws. Then install one **N1 Bottom Floor Board** tight against L3 Floor Board using 2" Wood Screws. Finish floor using thirteen **M7 Bottom Floor Boards**, spacing evenly, using 2" Wood Screws.

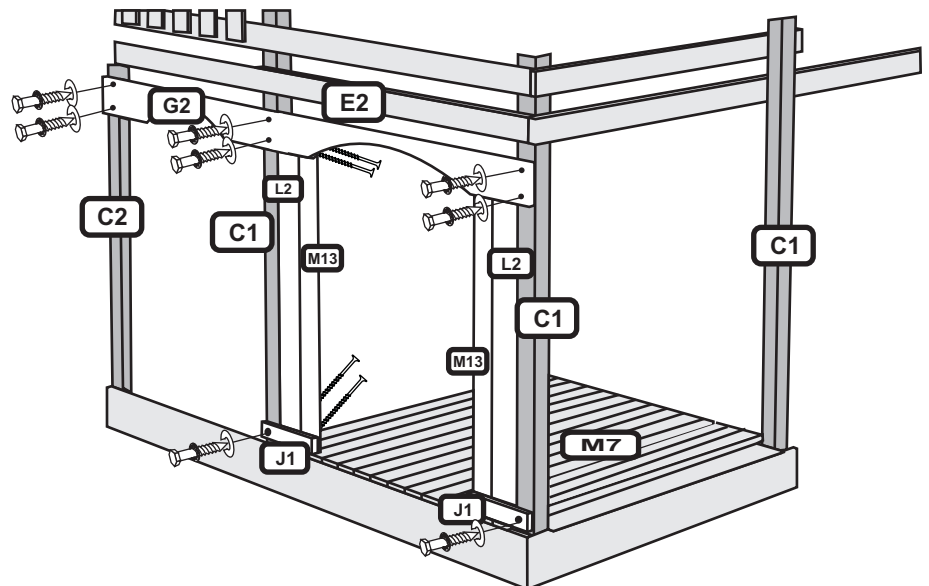


Step 71

Position **G2 Sculptured Rail** on the backside of the playset approximately 2 1/2" down from E2 Back Floor Rail. Attach using 2 1/2" Lag Screws, Lock Washers and Flat Washers. Be sure to level board. Pilot drill with 3/16" drill bit using holes in G2 as guide.

Step 72

Attach one **J1 Bottom Wall Rail** to each C1 Tower Leg on back side of unit flushing with outside of C1 Tower Legs and laying flat against Bottom Floor Boards (use J1 as guide to pilot drill using 3/16" bit). Attach using 2 1/2" Lag Screws, Lock Washers, Flat Washers.



Step 73

Attach **L2 Bottom Wall Boards** and **M13 Bottom Wall Boards** on the inside of G2 Sculptured Rail and J1 bottom Wall Rail, tight against C1 Tower Legs, using 1 1/2" Wood Screws per diagram.

M12 * Bottom Wall Board * 4 Holes * 2 Req
 11/16 x 3-3/8 x 50 [1.74 x 8.57 x 127.00]



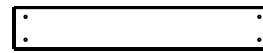
L1 * Bottom Wall Board * 4 Holes * 2 Req
 11/16 x 4-1/2 x 50 [1.74 x 11.43 x 127.00]



M21 * Window Trim * No Holes * 1 Req
 11/16 x 3-3/8 x 25 [1.74 x 8.57 x 63.50]



L5 * Bottom Wall Board * 4 Holes * 4 Req
 11/16 x 4-1/2 x 28 [1.74 x 11.43 x 71.12]

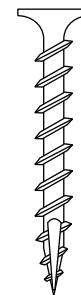
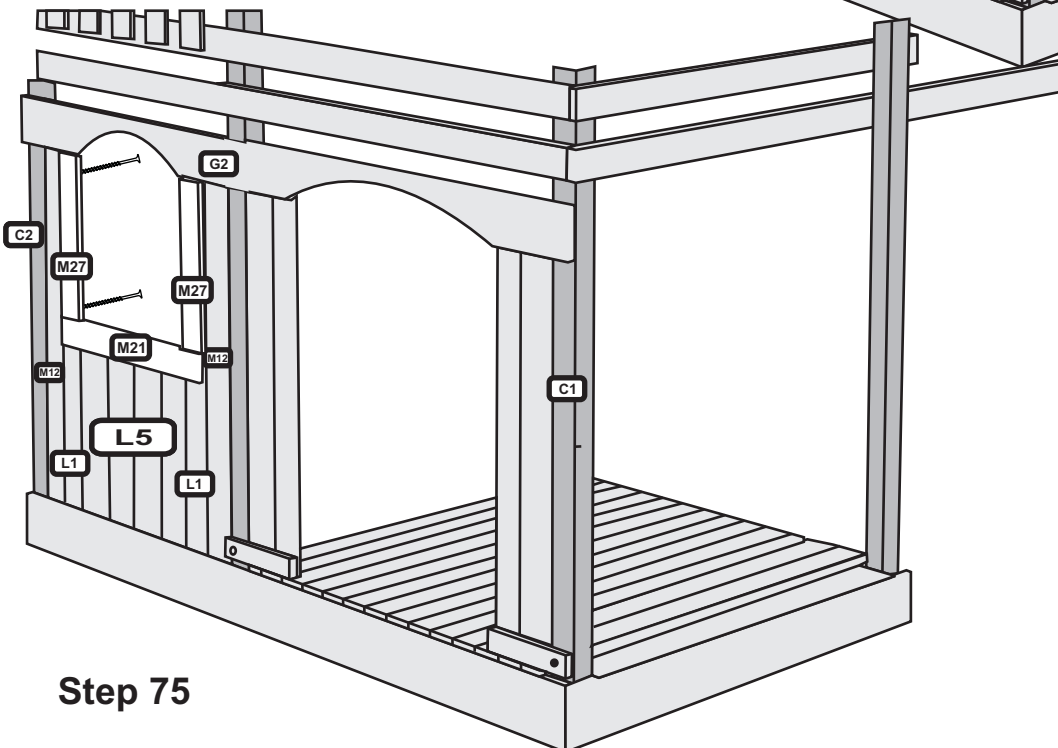
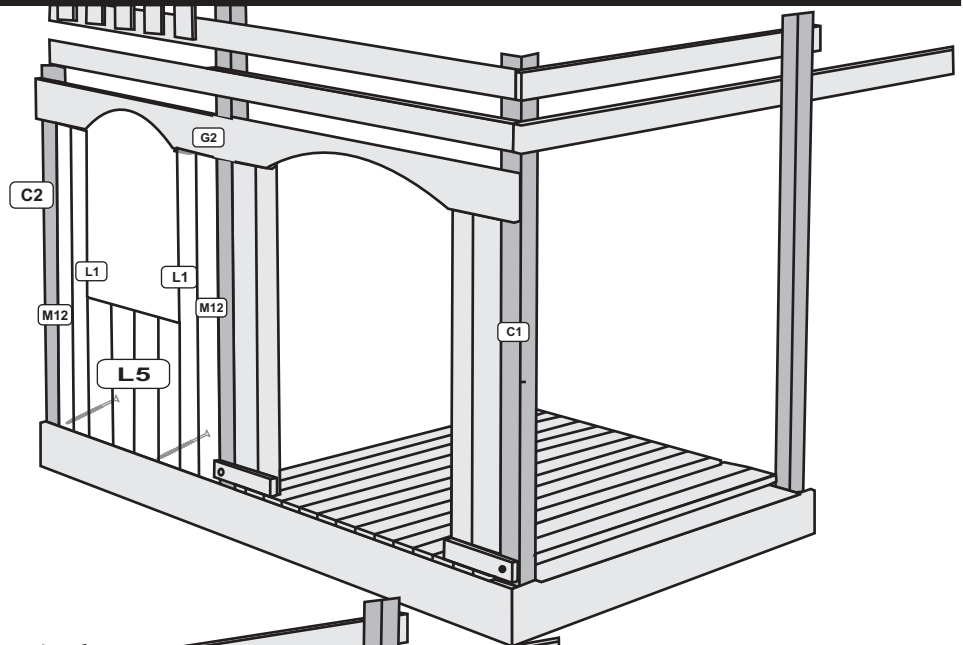


M27 * Window Trim * No Holes * 2 Req
 11/16 x 3-3/8 x 19-1/2 [1.74 x 8.57 x 49.53]

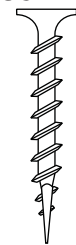


Step 74

Place the **M12 Bottom Wall Boards** tightly against the C1 and C2 Tower Legs as shown. Attach using 1 1/2" Wood Screws to the Inside of G2 Sculptured Rail and G3 Base Board. Now install two **L1 Bottom Wall Boards** against each M12 Wall Board using 1 1/2" Wood Screws. Attach four **L5 Bottom Wall Boards** spacing evenly between L1 Bottom Wall Boards using 1 1/2" Wood Screws, attach to G3 Base Board.



#8 X 1-1/4"
WOOD
SCREW



#8 X 1-1/2"
WOOD
SCREW

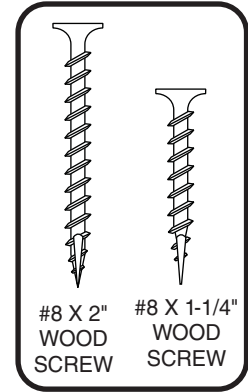
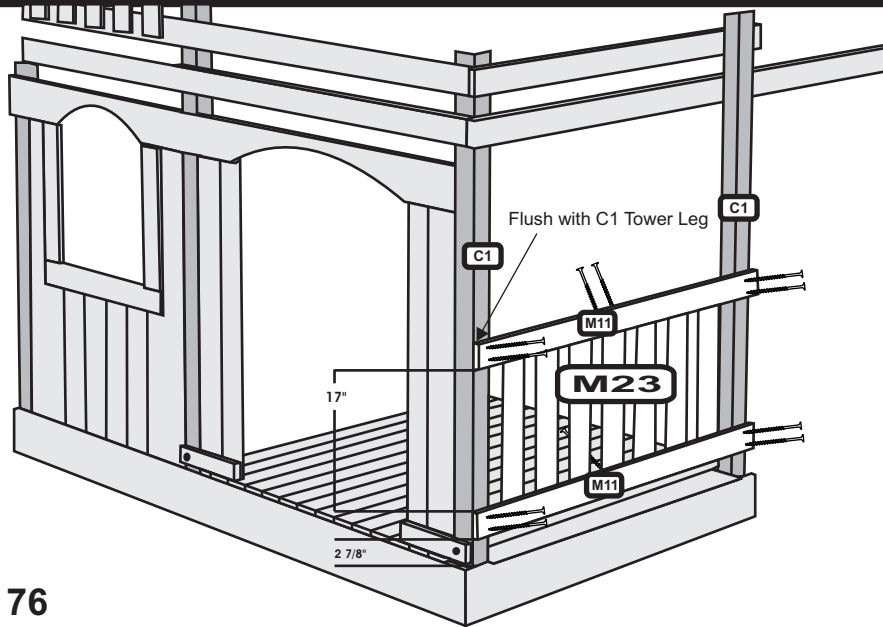
Step 75

Attach one **M27 Window Trim** on each side of window, flushing with L1 Wall Boards tight and against G2, using two 1 1/4" Wood Screws on inside of L1 Wall Board. Attach one **M21 Bottom Window Trim** using two 1 1/4" Wood Screws through inside of L1 Wall Board on each side flushing with M27 side Window Trim. Finish attaching L5 Wall Boards to M21 Bottom Window Trim with 1 1/4" Wood Screws.

M11 * Bottom Wall Rail * 4 Holes * 5 Req
11/16 x 3-3/8 x 51-3/4 [1.74 x 8.57 x 131.45]

M23 * Wall Board * 4 Holes * 28 Req
11/16 x 3-3/8 x 23 [1.74 x 8.57 x 58.42]

M2 * Bottom Wall Rail * 6 Holes * 2 Req
11/16 x 3-3/8 x 90 [1.74 x 8.57 x 228.60]



Step 76

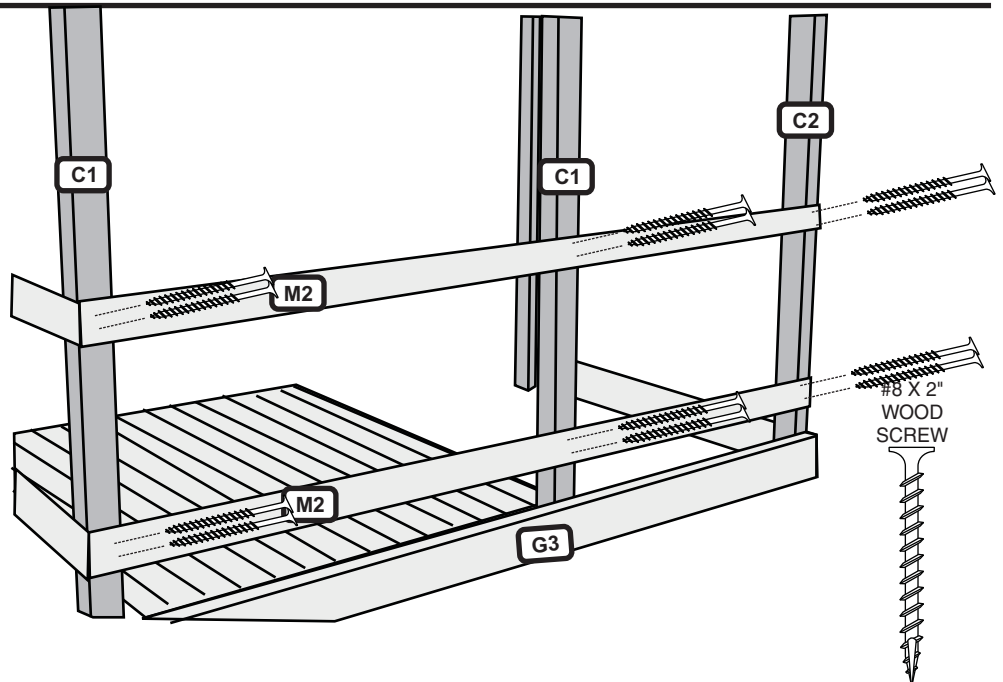
Attach one **M11 Bottom Wall Rail** on left side of playset to C1 Tower Legs, measuring up 2-7/8" from bottom Floor Boards. M11 drilled at **1-1/2"** from edge goes towards left back C1 Tower Leg flush to outside of leg. M11 will hang over on the right side. Attach using 2" Wood Screws.

Now install top M11 Wall Rail 17" up from top of M11 bottom Wall Rail using 2" Wood Screws.

Attach seven **M23 Bottom Wall Boards** to inside of M11 Wall Rails on left side of tower approximately 2-5/8" apart. Flush the M23s to the bottom of M11 Wall Rails, and attach using 1-1/4" Wood Screws.

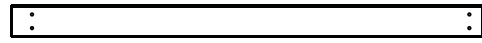
Step 77

Install **M2 Bottom Wall Rail** to front of set. Line up left side with M11 Wall Rail on left side of tower. Pay attention that predrilled holes in M2 Wall Rails line up with C1s and C2 Tower Legs. Use 2" Wood Screws to attach. You may need to level rail from end to end. Now repeat with M2 upper Wall Rail.



M11 * Bottom Wall Rail * 4 Holes * 5 Req
11/16 x 3-3/8 x 51-3/4 [1.74 x 8.57 x 131.45]

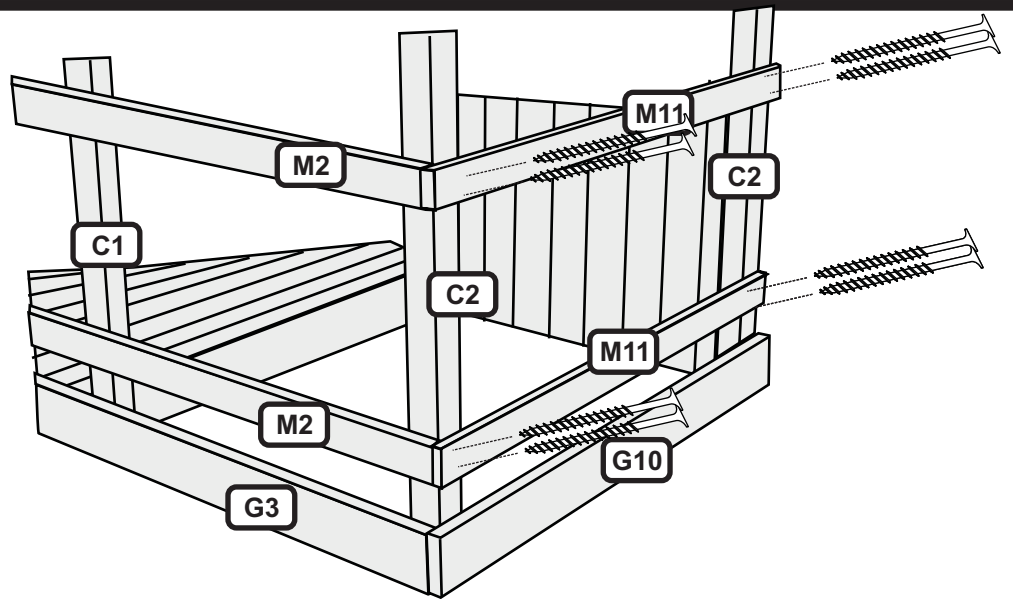
M23 * Wall Board * 4 Holes * 28 Req
11/16 x 3-3/8 x 23 [1.74 x 8.57 x 58.42]



Step 78

Install two more M11 Wall Rails flushing to outside of M2 long front Wall Rails to C2 Tower Legs on right side of playset. You may need to level. Use 2" Wood Screws to install.

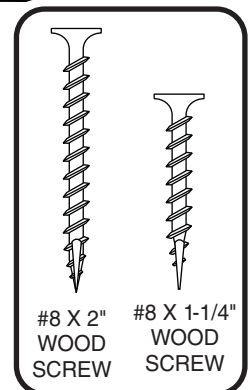
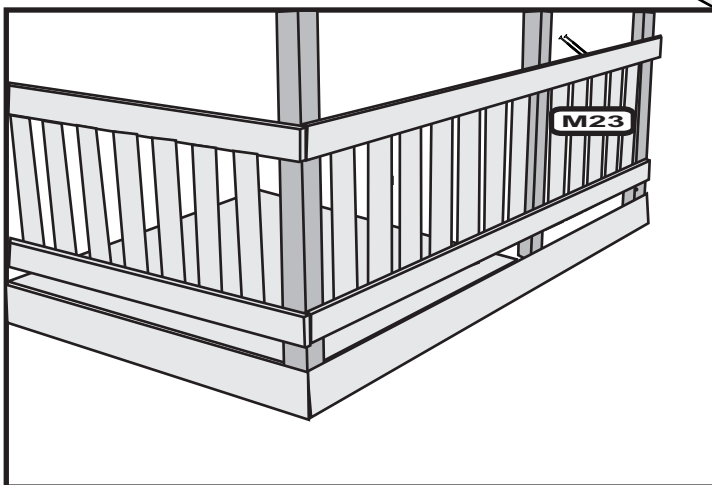
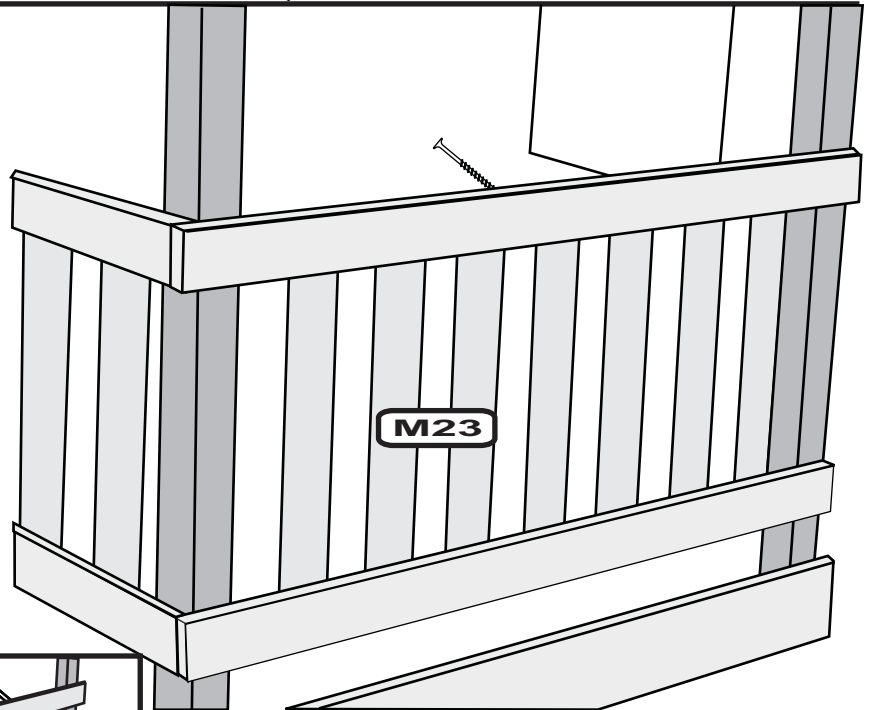
Note: M11 drills 1 1/2" from edge toward right back C2 Tower Leg.



Step 79

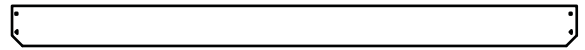
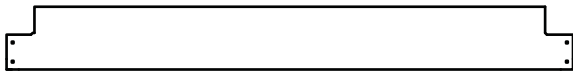
Now at right side of tower, install seven more M23 bottom Wall Boards to inside of M11 Wall Rails approximately 2 5/8" apart flushing with bottom of M11 Wall Rail using 1 1/4" Wood Screws.

On front of tower install seven M23 bottom Wall Rail using 1 1/4" Wood Screws spacing them 2-7/8" apart. Now install remaining five M23 bottom Wall Boards to inside of front bottom Wall Rails 2 7/8" apart, using 1 1/4" Wood Screws, flushing M23's at bottom Wall Rail.



G27 * Bench Seat * 4 Holes * 1 Req
 1 x 5-1/2 x 49-3/4 [2.54 x 13.97 x 126.37]

H11 * Bench Seat * 4 Holes * 1 Req
 1 x 3-1/2 x 49-3/4 [2.54 x 8.89 x 126.37]

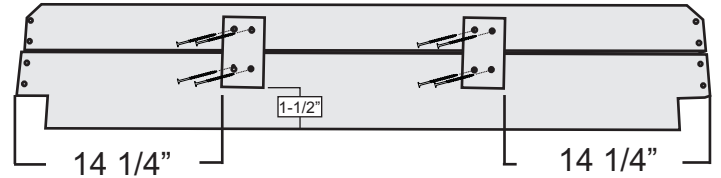


H12 * Bench Seat Support * No Holes * 4 Req
 1 x 3-1/2 x 6 [2.54 x 8.89 x 15.24]



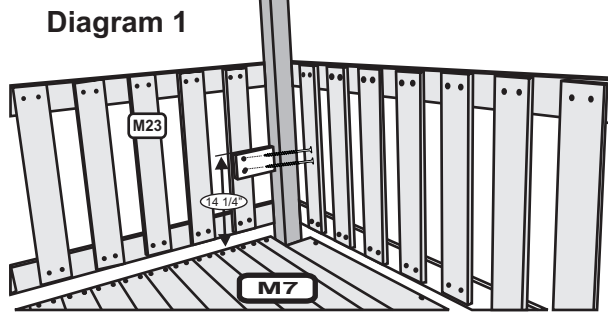
Step 80

Place **G27 Bench Seat** and **H11 Bench Seat** side by side, then place two **H12 Bench Seat Supports** on Bench Seat Boards per diagram #1. Pilot drill with 1/8" drill bit and attach using eight 1-1/2" Wood Screws.

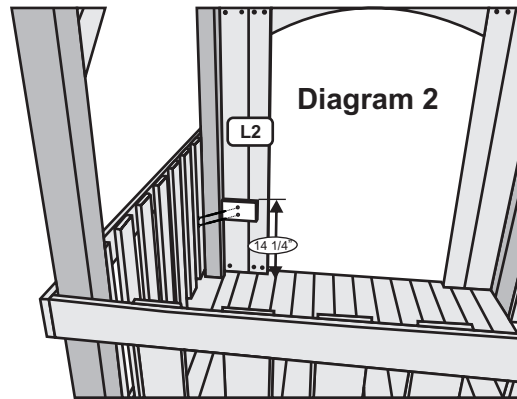


Step 81

Measure up 14-1/4" from the M7 Floor Board and mark the M23 Wall Board as shown. Position the **H12 Bench Seat Support** with the mark at the top of the board. Pilot drill using a 1/8" drill bit and attach using two 1-1/2" Wood Screws as shown in **Diagram 1**.

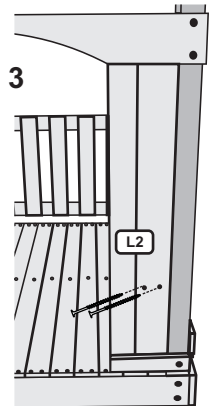


Repeat this procedure on the opposite side, measuring and marking the L2 Wall Board at 14-1/4". Position the H12 Bench Seat Support with the mark at the top of the board. Pilot drill using a 1/8" drill bit and attach using two 1-1/2" Wood Screws as shown in **Diagram 2**.



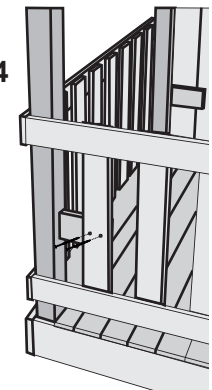
Moving around to the outside of the wall, Measure up 12-1/2" from the M7 Floor Board and mark the L2 Wall Board as shown. Pilot drill and insert two 1-1/2" Wood Screws through the L2 Wall Board into the H12 Bench Seat Support as shown in **Diagram 3**.

Diagram 3



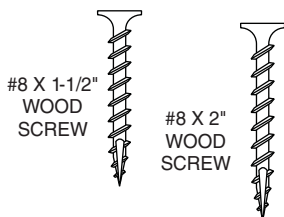
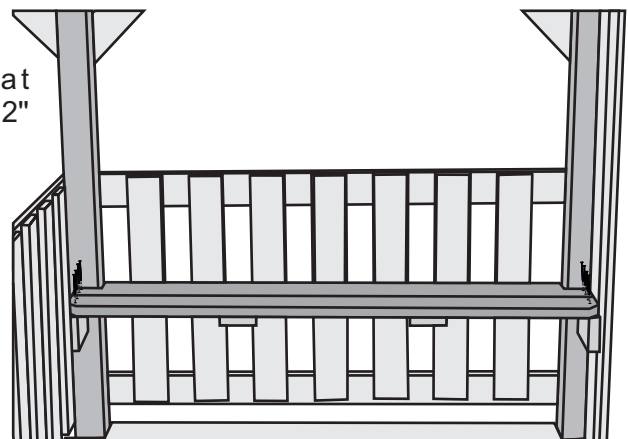
Repeat this procedure on the opposite side of the unit, measuring and marking the outside of the M23 Wall Board, pilot drill and insert two 1-1/2" Wood Screws through the M23 Wall Board into the H12 Bench Seat Support as Shown in **Diagram 4**.

Diagram 4



Step 82

Attach Bench Seat assembly to H12 using 2" Wood Screws



F2 * Rafter * No Holes * 8 Req
 1-3/8 x 2-3/8 x 40-3/4 [3.49 x 6.03 x 103.51]

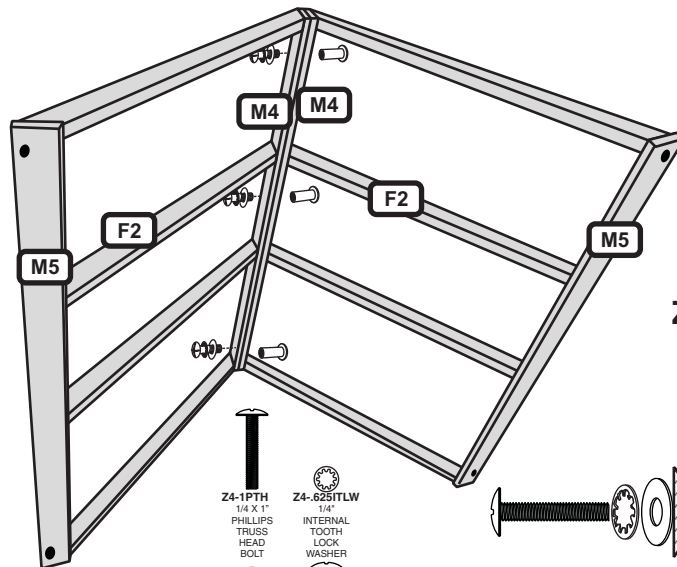
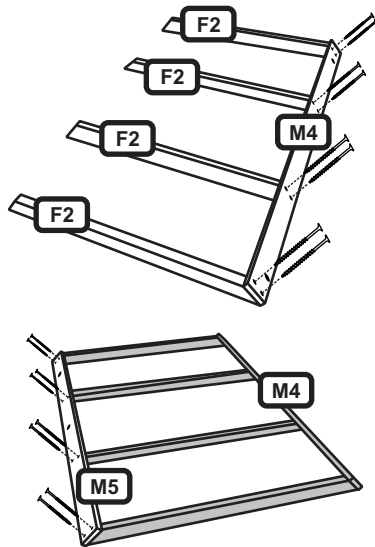
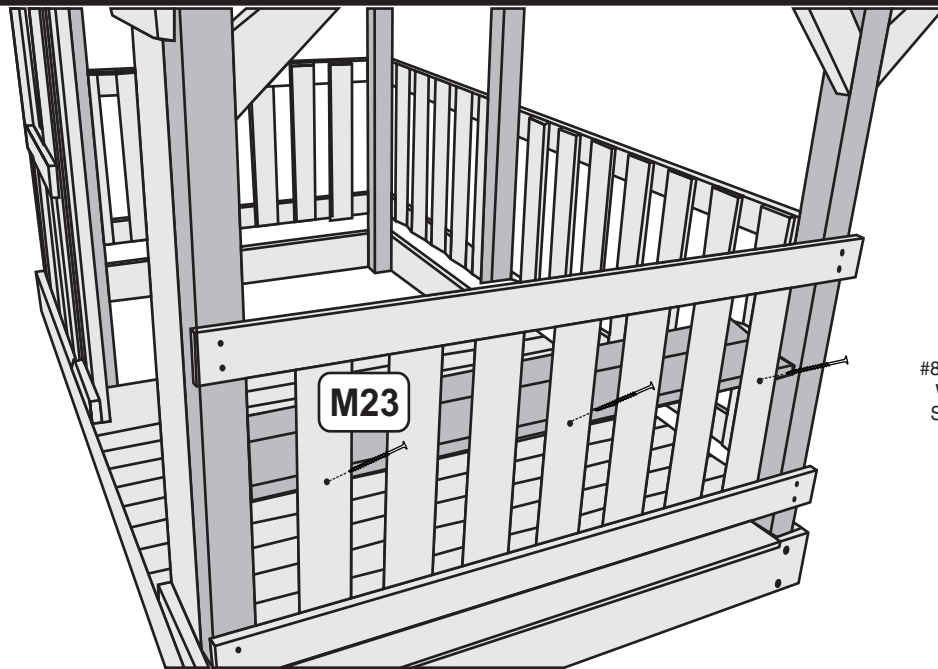
M5 * Roof Cap * 8 Holes * 2 Req
 11/16 x 3-3/8 x 57 [1.74 x 8.57 x 144.78]

M4 * Ridge Support * 11 Holes * 2 Req
 11/16 x 3-3/8 x 57 [1.74 x 8.57 x 144.78]



Step 83

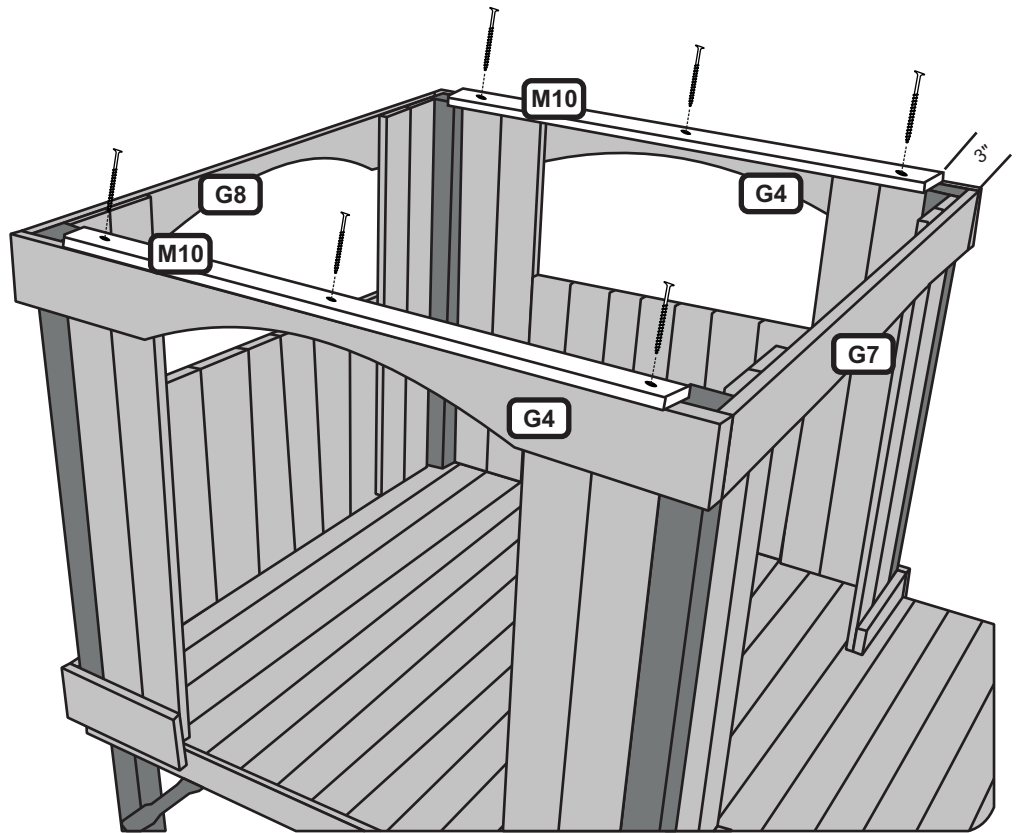
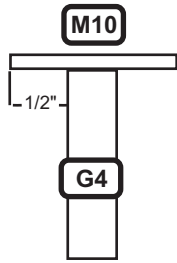
Pilot drill using a 1/8" drill bit and insert three 1 1/2" Wood Screws thru M23 Wall Boards into edge of bench.



Step 84

Position one **M4 Ridge Support** to **F2 Rafters** flushing M4 Ridge Support with outside of F2 Rafters. Attach with 1 1/2" Wood Screws through predrilled holes in M4's, on each end. Now attach remaining F2 Rafters to M4. Next, attach **M5 Roof Caps** to F2's using 1 1/2" Wood Screws. Repeat for opposite side. Join Roof Panels together at M4 Ridge Supports using 1/4" x 1" Phillips Truss Head Bolt with a 1/4" Lock Washer, 5/16" Flat Washer and 1/4" Barrel Nut.

M10 * Wall Cap * No Holes * 2 Req
11/16 x 3-3/8 x 52 [1.74 x 8.57 x 132.08]

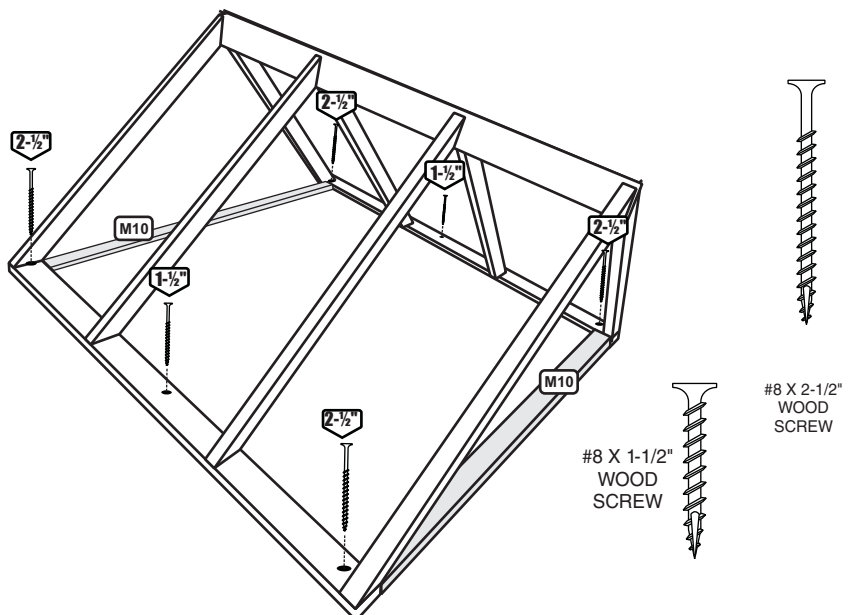


Step 85

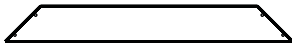
Attach M10 Wall Caps on top of both (front and back) G4 Sculptured Rails. Place 3" from edge of G8 and G7 on both left and right sides. Wall Cap hanging over 1/2" from front of each G4 Sculptured Rail. Pilot drill with 1/8" bit, attach using three 1 1/2" Wood Screws thru each M10 into G4's.

Step 86

At this point, the more people the better. With someone standing inside the Club House, have one or two people hand the roof assembly up to that person. Pull up onto Club House making sure M5's are flush with M10's just installed. Attach to Green Posts at all four corners using 2 1/2" Wood Screws. Use 1 1/2" Wood Screws in center of M5 attaching to G7 & G8.



K2 * Gable Board * 4 Holes * 2 Req
11/16 x 5-1/2 x 45 [1.74 x 13.97 x 114.30]



K7 * Gable Board * 4 Holes * 2 Req
11/16 x 5-1/2 x 23 [1.74 x 13.97 x 58.42]



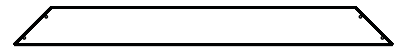
K4 * Gable Board * 4 Holes * 2 Req
11/16 x 5-1/2 x 34 [1.74 x 13.97 x 86.36]



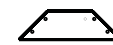
M28 * Gable Trim * 4 Holes * 4 Req
11/16 x 3-3/8 x 18 [1.74 x 8.57 x 45.72]



K1 * Gable Board * 4 Holes * 2 Req
11/16 x 5-1/2 x 56 [1.74 x 13.97 x 142.24]



M31 * Gable Board * 4 Holes * 2 Req
11/16 x 3-3/8 x 12 [1.74 x 8.57 x 30.48]



Step 87

Starting at back gable inside Roof Assembly Structure, attach **K1 Gable Board** on top of M10 Wall Cap and attach to F2 Rafter using 2" Wood Screws.

Then place **K2 Gable Board** on top using 2" Wood Screws.

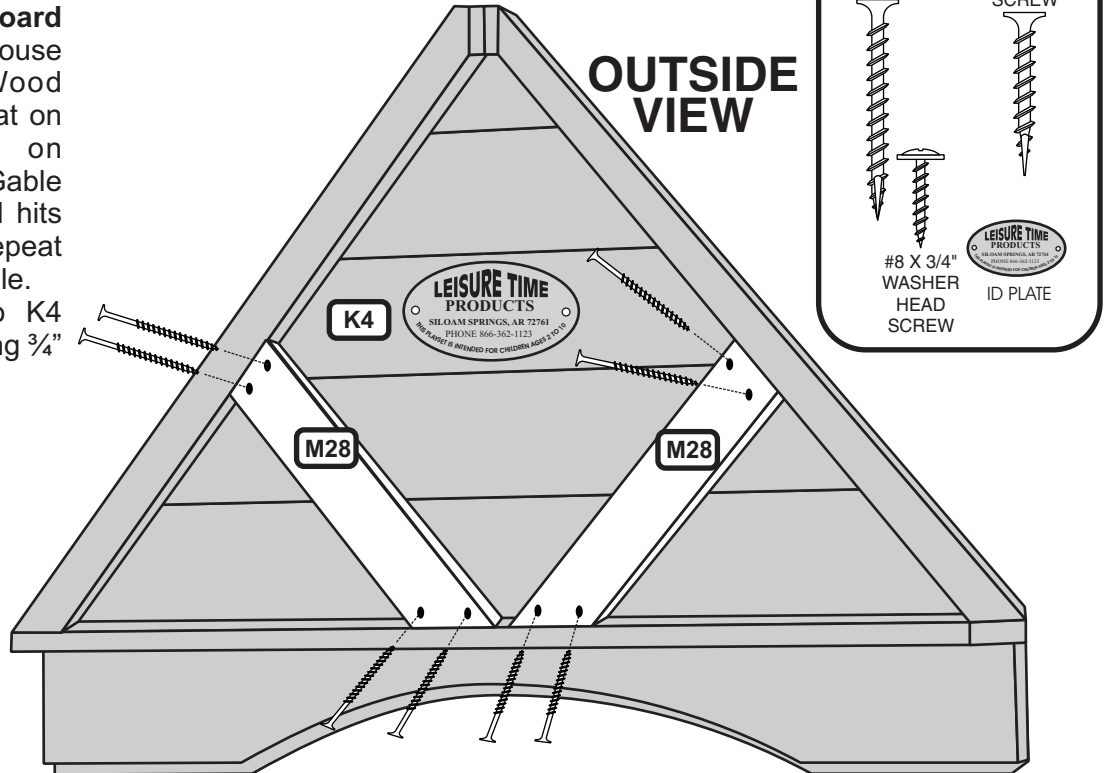
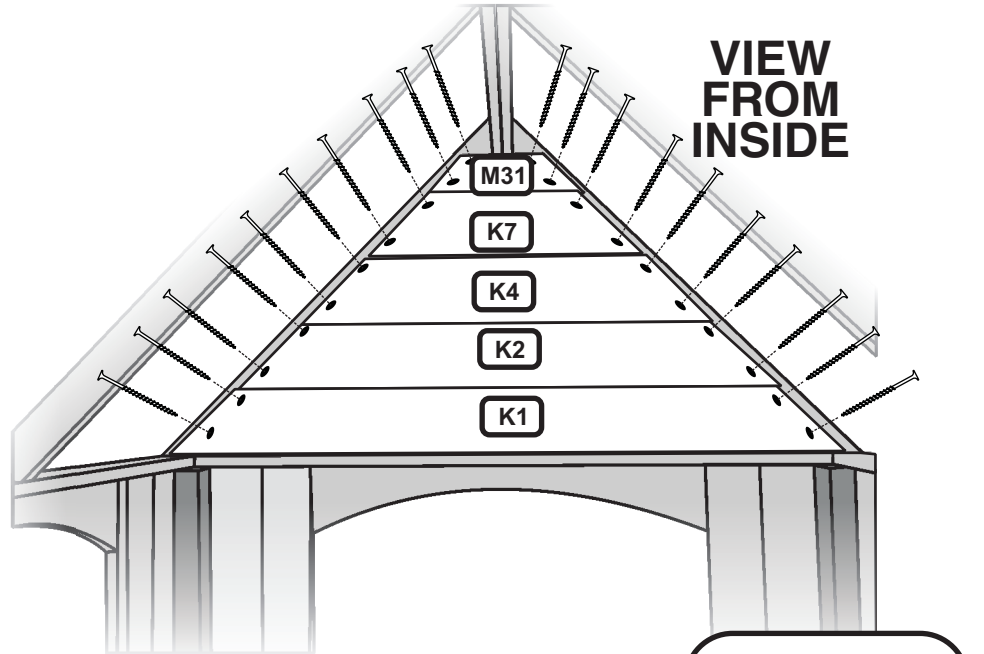
Then **K4 Gable Board** with 2" Wood Screws.

Then **K7 Gable Board** with 2" Wood Screws.

Then attach the **M31 Gable Board** with 2" Wood Screws at top of gable. Repeat on front side of Club House Structure.

Attach **M28 Gable Trim Board** to the outside of the Club House Gable using 1 1/4" Wood Screws. Lay angle end flat on M10 Wall Cap Board on backside of Club House, Gable end. Push so square end hits flush to F2 Rafter. Then repeat on front of Club House Gable.

Now attach **ID Plate** to K4 Gable Board in center using 3/4" Washer Head Screws.

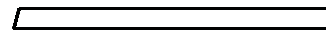


G26 * Porch Support Rail * 8 Holes * 1 Req
1 x 4-1/2 x 56 [2.54 x 11.43 x 142.24]

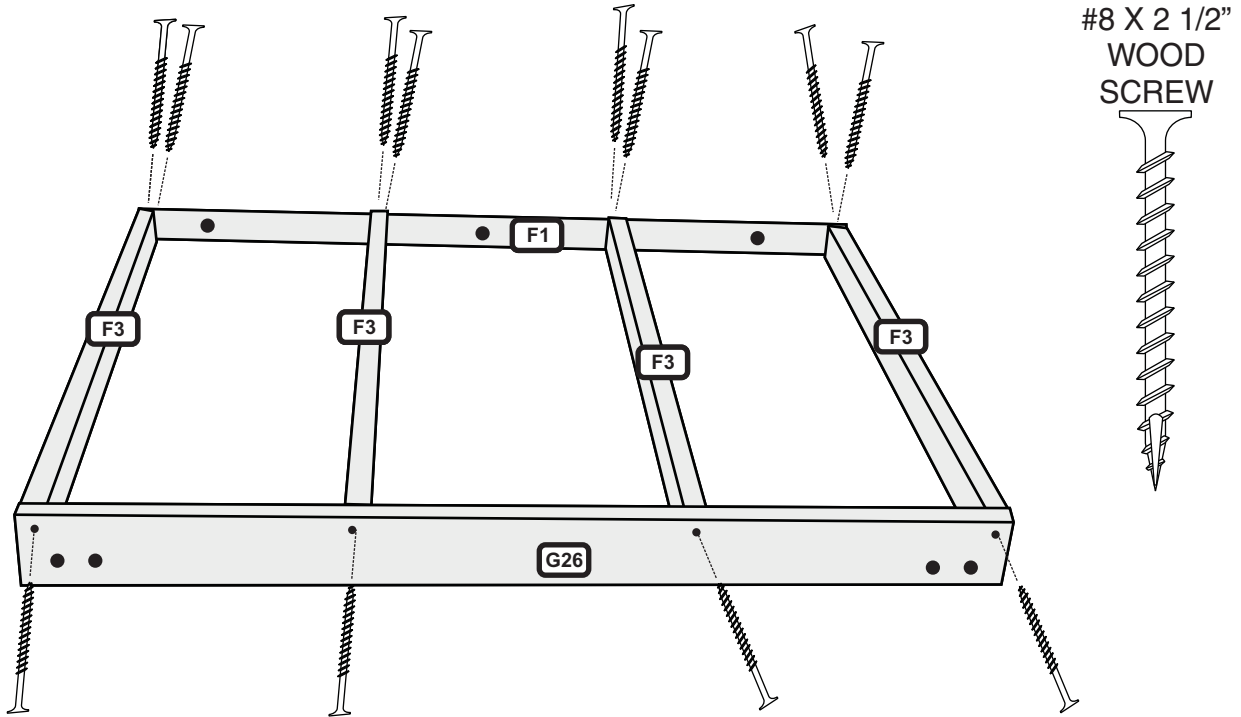


Note: 15° Bevel on this edge of board

F3 * Porch Rafter * No Holes * 4 Req
1-3/8 x 2-3/8 x 37-1/4 [3.49 x 6.03 x 94.62]



F1 * Roof Support * 11 Holes * 1 Req
1-3/8 x 2-3/8 x 56 [3.49 x 6.03 x 142.24]



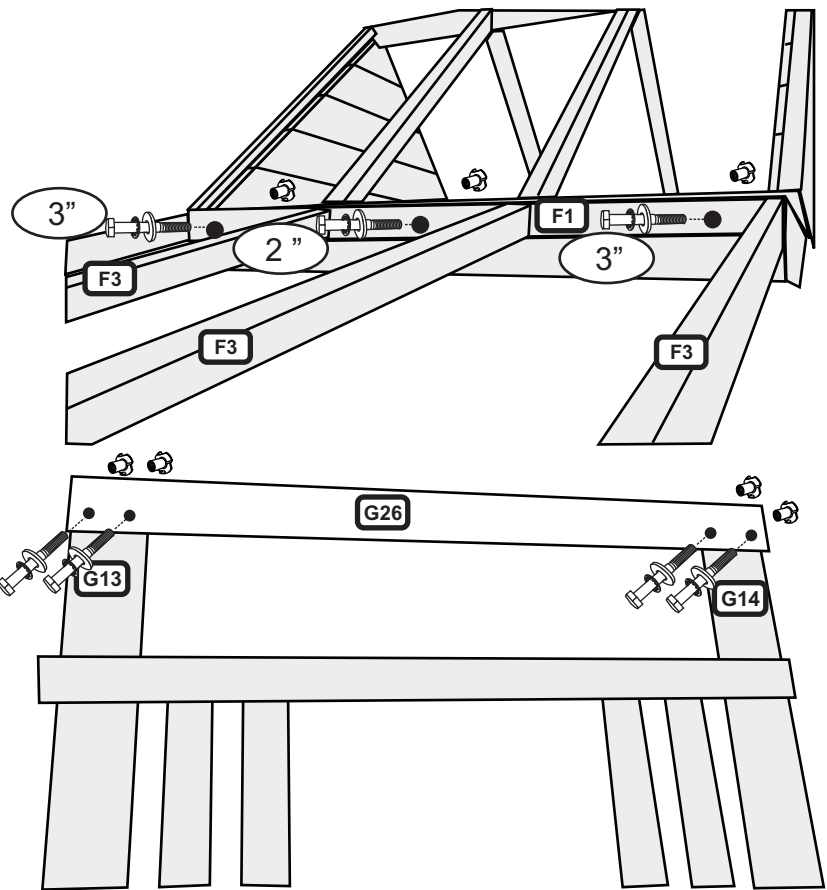
Step 88

Attach F3 Rafters to F1 Roof Support (note: countersunk holes towards F3 per diagram using 2 1/2" Wood Screws.
Attach G26 Porch Support Rail to F3, per diagram, using 2 1/2" Wood Screws.

Step 89

Position the Porch roof frame against the club house. Using a 3/8" drill bit, drill through the G7 Right Club House Rail using the holes in the F1 Roof Support as a guide. Attach the F1 to the G7 using 3" Hex Bolts, Lock Washers, Flat Washers and Spike T-Nuts on outside holes. Use a 2" Hex Bolt, Lock Washer, Flat Washer and Spike T-Nut in the center hole.

Attach the G26 to both the G13 and G14 Porch Supports using 1-3/4" Hex Bolts, Lock Washers, Flat Washers and Spike T-Nuts.

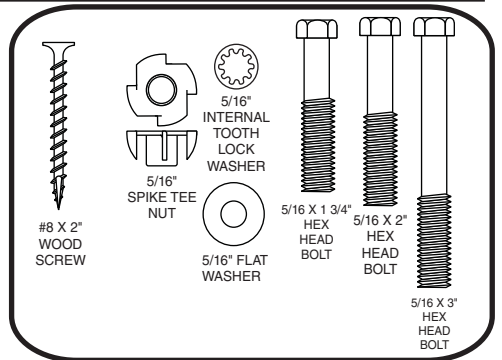


**Open and inventory
Box 5**

Step 90

This next step will require two people. Position two **R1 Roof Slats** at the top of the peak as shown in Diagram #2. The roof slats will overhang 1 1/2" on each side of the outer F2 Rafters. Pilot drill the slats with a 1/8" drill bit in line with the center of the F2 Rafters at 2" and 4" from the top edge as illustrated in diagram #1. Attach using 2" Wood Screws leaving the bottom two screws loose until the next slat is installed underneath it.

Continue adding the R1 Roof Slats. The Club House will take nine Roof Slats per side.



R1 – Roof Slat – 18 pcs – for Club House Roof

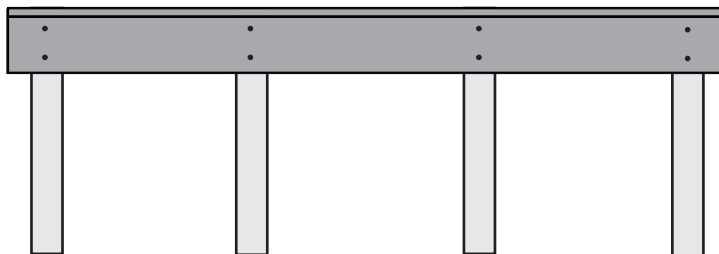


DIAGRAM 1

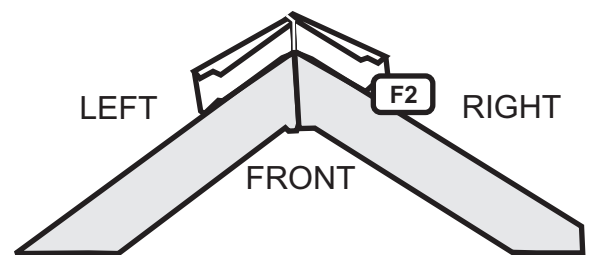


DIAGRAM 2

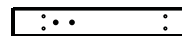
M32 * End Ladder Step * 4 Holes * 1 Req
 11/16 x 3-3/8 x 16-1/2 [1.74 x 8.57 x 41.91]



M25 * End Ladder Step * 4 Holes * 1 Req
 11/16 x 3-3/8 x 22-1/2 [1.74 x 8.57 x 57.15]



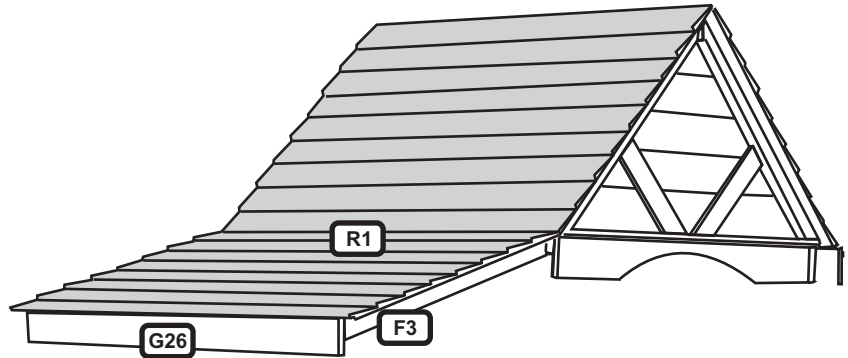
M24 * End Ladder Step * 6 Holes * 11 Req
 11/16 x 3-3/8 x 22-1/2 [1.74 x 8.57 x 57.15]



E3 * End Ladder Rail * 3 Holes * 2 Req
 1-3/8 x 3-3/8 x 89 [3.49 x 8.57 x 226.06]

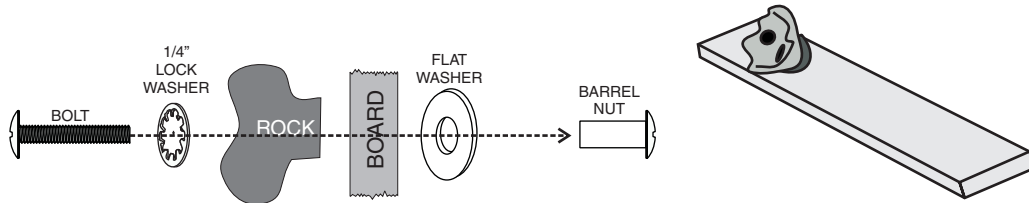


#8 X 2"
WOOD
SCREW



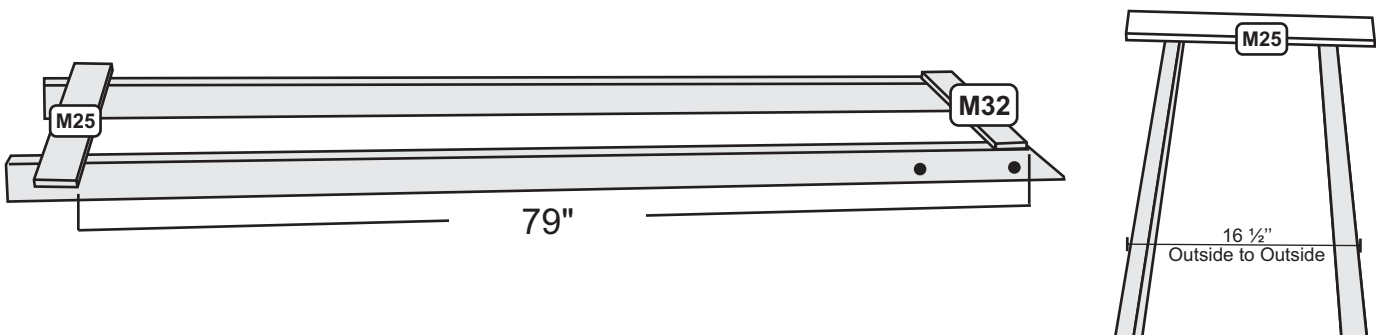
Step 91

Attach one R1 Roof Slat to the porch. Push the first slat tight against bottom of slat on Club House Roof. It will not go under groove. Attach using 2" Wood Screws in center of Rafter, pilot drilling with 1/8" bit. Proceed to install the last seven roof slats to porch area roof. You will need a ladder when you get towards the end.



Step 92

To build the Rock Wall and Ladder Assembly, start by putting the Rocks on the **M24 End Ladder Step**. Use 1/4" x 1" Phillips Truss Head Bolt with 1/4" Lock Washer. Then place 5/16" Flat Washer on Barrel Nut and attach Rock to each board.



Lay two **E3 End Ladder Rails** flat on ground. Install one **M32 End Ladder Step** flush with outside of E3 Rails at angled end of board, (per diagram). Attach flush with angle and with outside of rails using 2" Wood Screws. Measure down from top of M32, down E3 Rails and mark each Rail at 79". Now place the **M25 End Ladder Step** with no rock on top of board E3 at your 79" mark. Make sure outside to outside of E3 Rails is 16 1/2" and attach M25 with 2" Wood Screws. M24's and M25's will over hang approximately 3" over E3 Rails on each side.

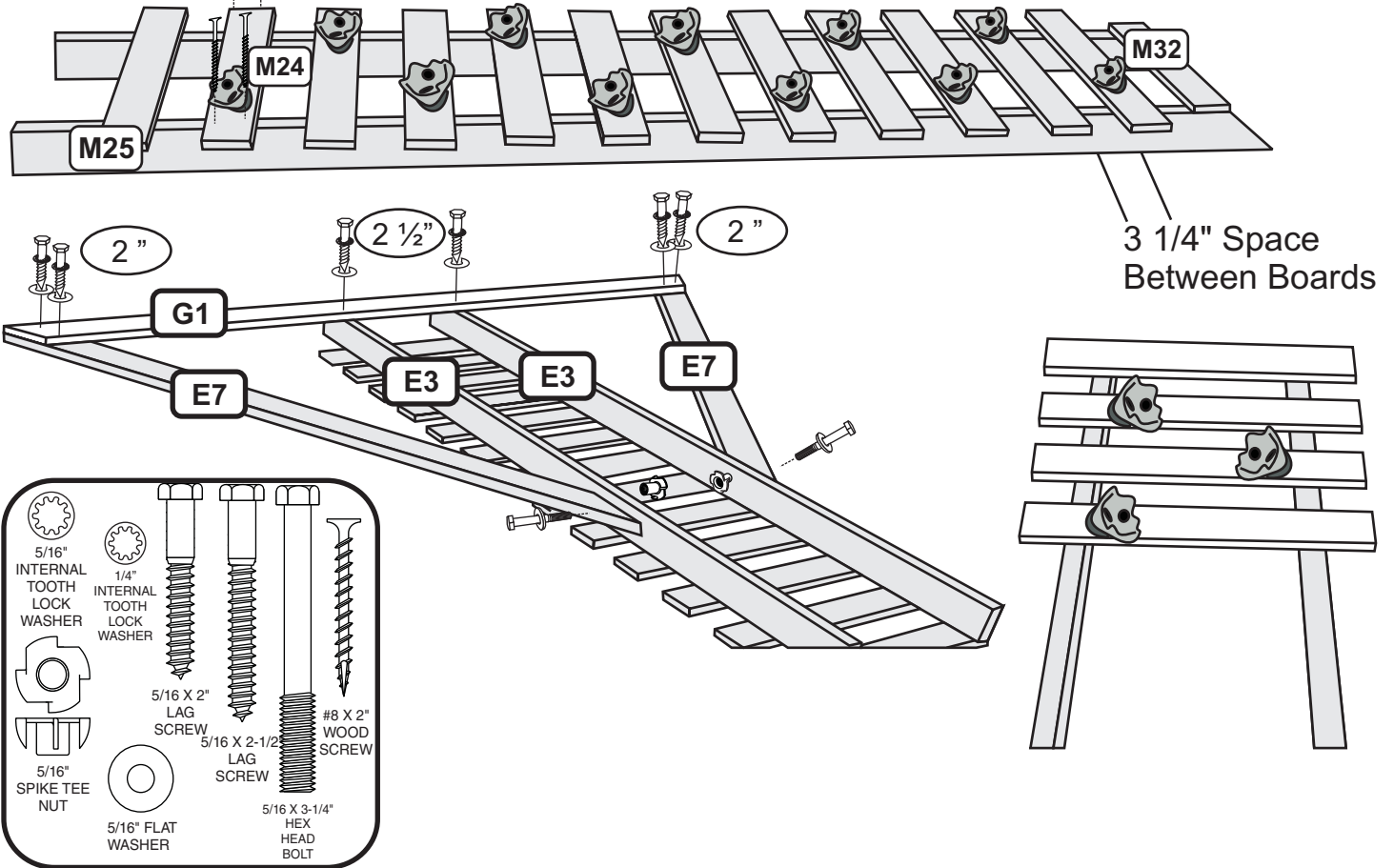
M24 * End Ladder Step * 6 Holes * 11 Req
 11/16 x 3-3/8 x 22-1/2 [1.74 x 8.57 x 57.15]



G1 * Ground Board * 6 Holes * 1 Req
 1 x 5-1/2 x 93 [2.54 x 13.97 x 236.22]



E7 * Long Angle Brace * 1 Holes * 2 Req
 1-3/8 x 3-3/8 x 74-1/2 [3.49 x 8.57 x 189.23]



Step 93

Starting at the bottom edge of the M32, position the M24 End Ladder Steps along the E3 rails, gapping them 3-1/4" apart and alternating the rocks from left to right as shown. Attach using 2" Wood Screws.

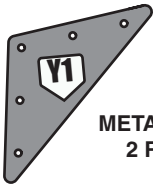
At this point, flip the end ladder assembly over and insert two 5/16" Spike T-Nuts into the center holes of the E3 End Ladder Rails. Attach the **E7 Long Angle Braces** to the E3 rails using 3-1/4" Hex Bolts, Lock Washer, and Flat Washer into the Spiked T-Nuts you just inserted.

Position the **G1 Ground Board** on the bottom edge of the E3 rails as shown. Using the holes in the G1 as a guide, pilot drill with a 3/16" drill bit and attach using 2-1/2" Lag Screws, Lock Washers and Flat Washers.

Using the holes in the G1 as a guide, pilot drill both of the E7 Long Angle Braces with a 3/16" drill bit and attach using 2" Lag Screws, Lock Washers and Flat Washers.

B1 * Tunnel Support Beam * 11 Holes * 1 Req
 3 x 3 x 92-1/2 [7.62 x 7.62 x 233.95]

B2 * Tunnel Support Beam * 7 Holes * 1 Req
 3 x 3 x 92-1/2 [7.62 x 7.62 x 234.95]



METAL TRIANGLE
 2 REQUIRED

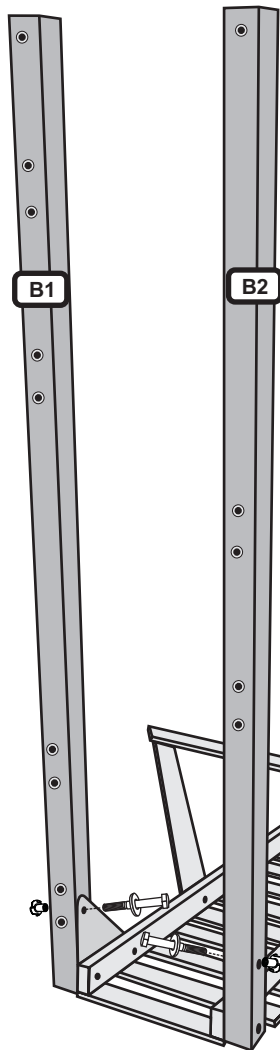
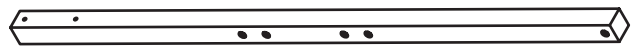
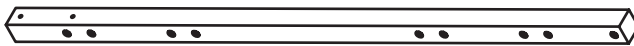
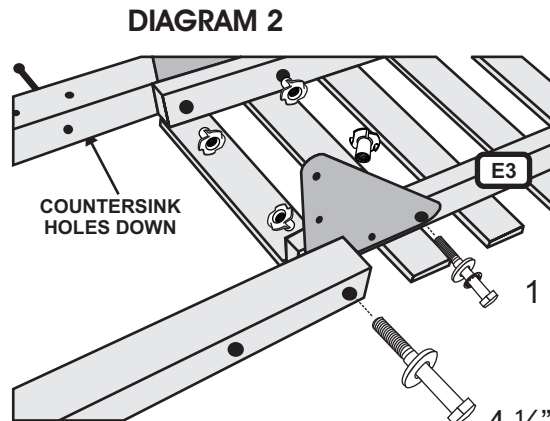


DIAGRAM 3



COUNTERSINK
 HOLES DOWN

1 1/2"

4 1/2"

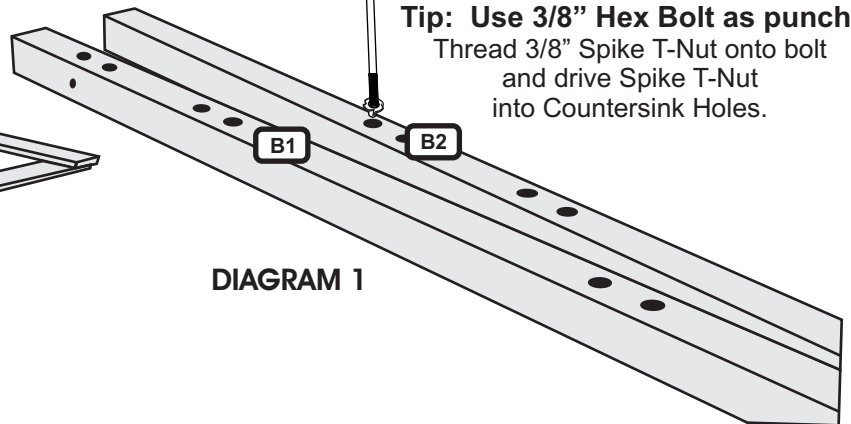
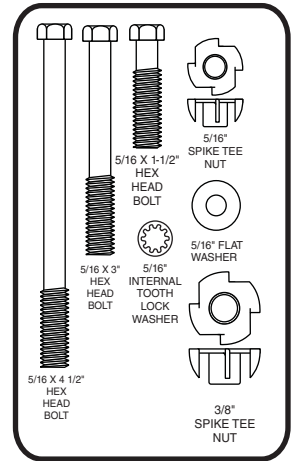


DIAGRAM 1



Tip: Use 3/8" Hex Bolt as punch.
 Thread 3/8" Spike T-Nut onto bolt
 and drive Spike T-Nut
 into Countersink Holes.

Step 94

Begin Tunnel Support Beam Assembly by driving 3/8" Spike T-Nuts into B1 and B2 Support Beams, per diagram #1, in countersunk holes. Now turn Spike T-Nuts down and attach Y1 Metal Triangle to B1, B2 and Rock Wall End Ladder Assembly using 5/16 x 4 1/2" Hex Bolt, Lock Washer, Flat Washer and Spike T-Nut per diagram #2 and use a 1 1/2" Hex Bolt, Lock Washer, Flat Washer and Spike T-Nut to attach the Y1 and E3 Rails. Now stand up B1 and B2 beam and line up holes with Y1 Metal Triangle and attach using 3" Hex Bolt, Lock Washer, Flat Washer and Spike T-Nut per diagram #3.

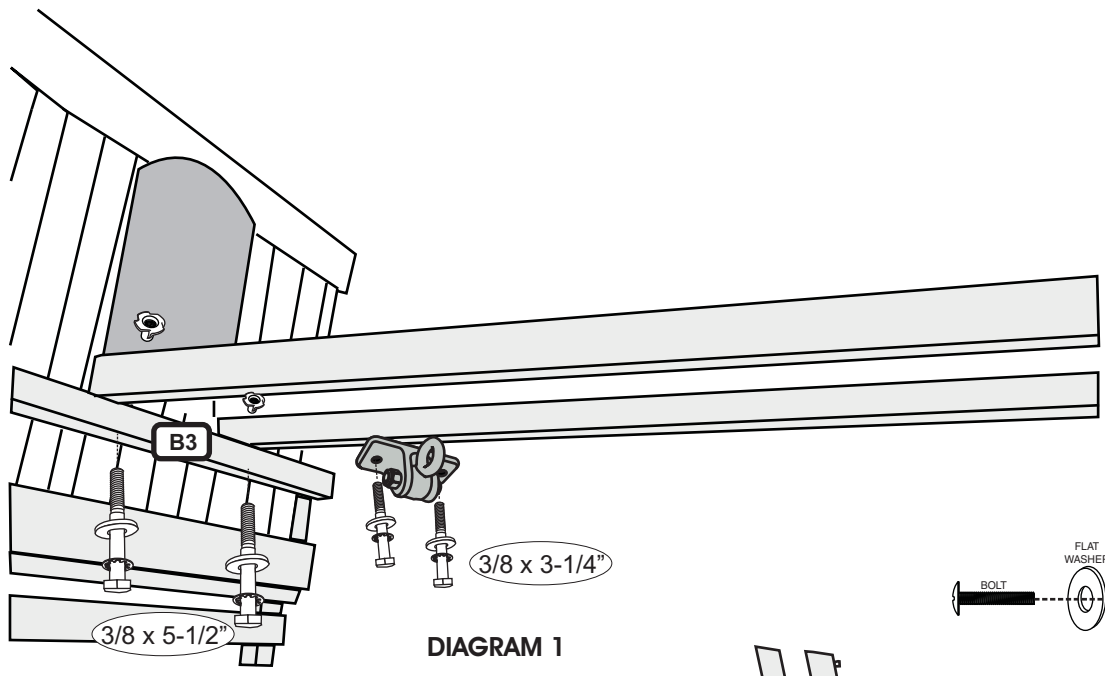


DIAGRAM 1

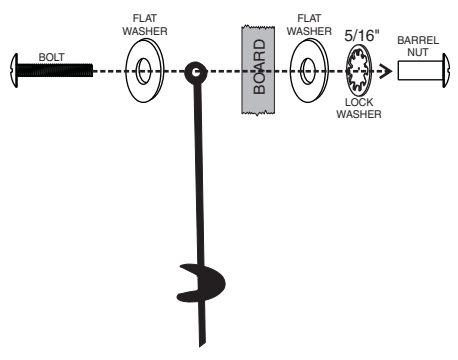


DIAGRAM 3

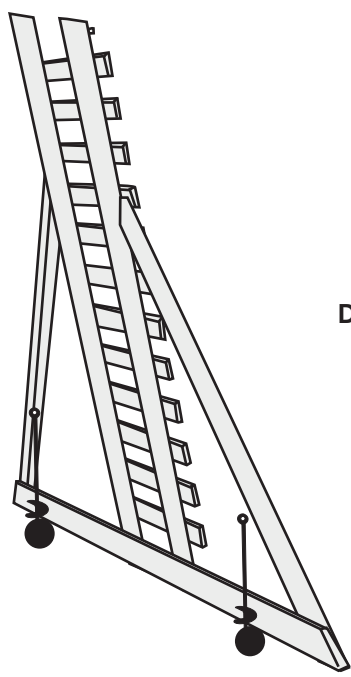
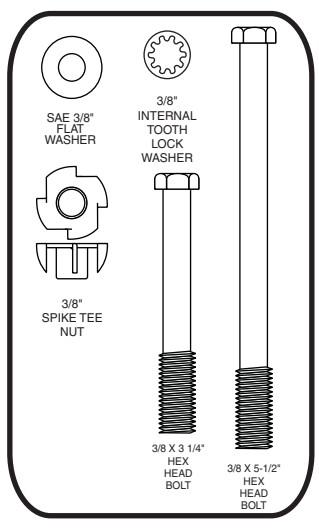


DIAGRAM 2

Step 95

At this time, have someone support B1 and B2 Beams, turn assemblies over and set ends of B1 and B2 on top of B3 Beam Support Mount on club house, making sure B1 and B2 are level per diagram #1. Determine Ground Stake position by marking ground (per diagram #2) and remove End Ladder Beam Structure and insert Stakes. Now reposition beam and End Ladder Structure on Club House and attach B1 and B2, to B3 mount using 3/8 x 5 1/2" Hex Bolt, 3/8" Lock Washer, 3/8" Flat Washer and Spike T-Nut per diagram #1. Using the holes in Ground Stakes, drill through the G1 Ground Board using a 3/8" drill bit. Attach Stakes to G1 Ground Board using 1" Phillips Truss Head Bolt, Lock Washer, Flat Washer and Barrel Nut per diagram #3.

Now attach the **Swing Hangers**, to B1 and B2 Beams using 3/8" x 3-1/4" Hex Bolt, 3/8" Lock Washer and Flat Washer.

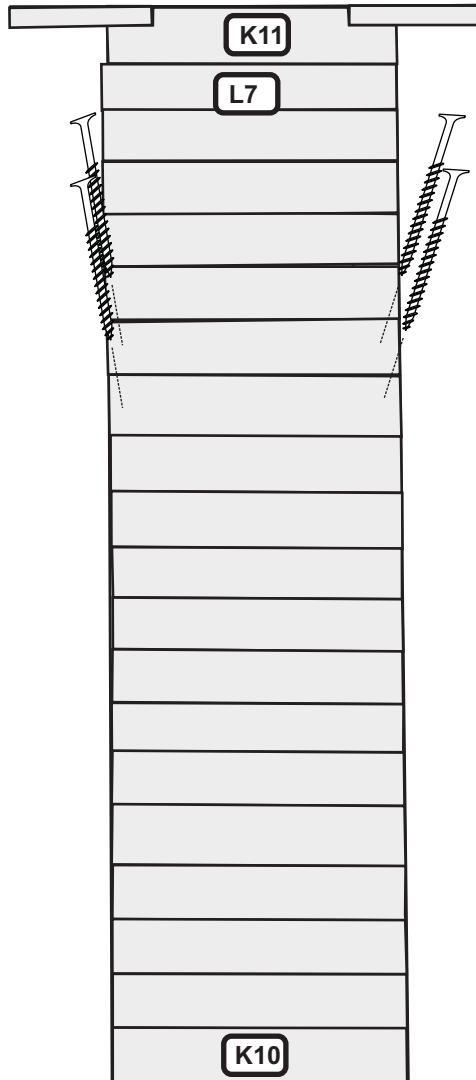
L7 * Tunnel Floor Board * 4 Holes * 18 Req
11/16 x 4-1/2 x 22-1/2 [1.74 x 11.43 x 57.15]



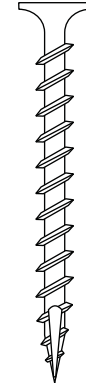
K11 * Tunnel Floor Board * 4 Holes * 1 Req
11/16 x 4-1/2 x 22-1/2 [1.74 x 11.43 x 57.15]



K10 * Tunnel Floor Board * 4 Holes * 1 Req
11/16 x 5-1/2 x 22-1/2 [1.74 x 13.97 x 57.15]



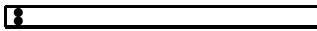
#8 X 2"
WOOD
SCREW



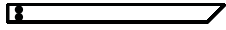
Step 96

Attach **K10 Tunnel Floor Board** starting at Rock Wall End Ladder Assembly, making sure to flush with the end of B1 and B2 Tunnel Beam Supports and attach using 2" Wood Screws. Now attach **K11 Tunnel Floor Board** on B1 and B2 to Club House. Then position the eighteen **L7 Tunnel Floor Boards**, spacing evenly, making sure they are flush with outside of B1 and B2 Tunnel Beam Supports and attach using 2" Wood Screws.

F4 * Tunnel Rail Support * 2 Holes * 4 Req
1-3/8 x 2-3/8 x 37 [3.49 x 6.03 x 93.98]



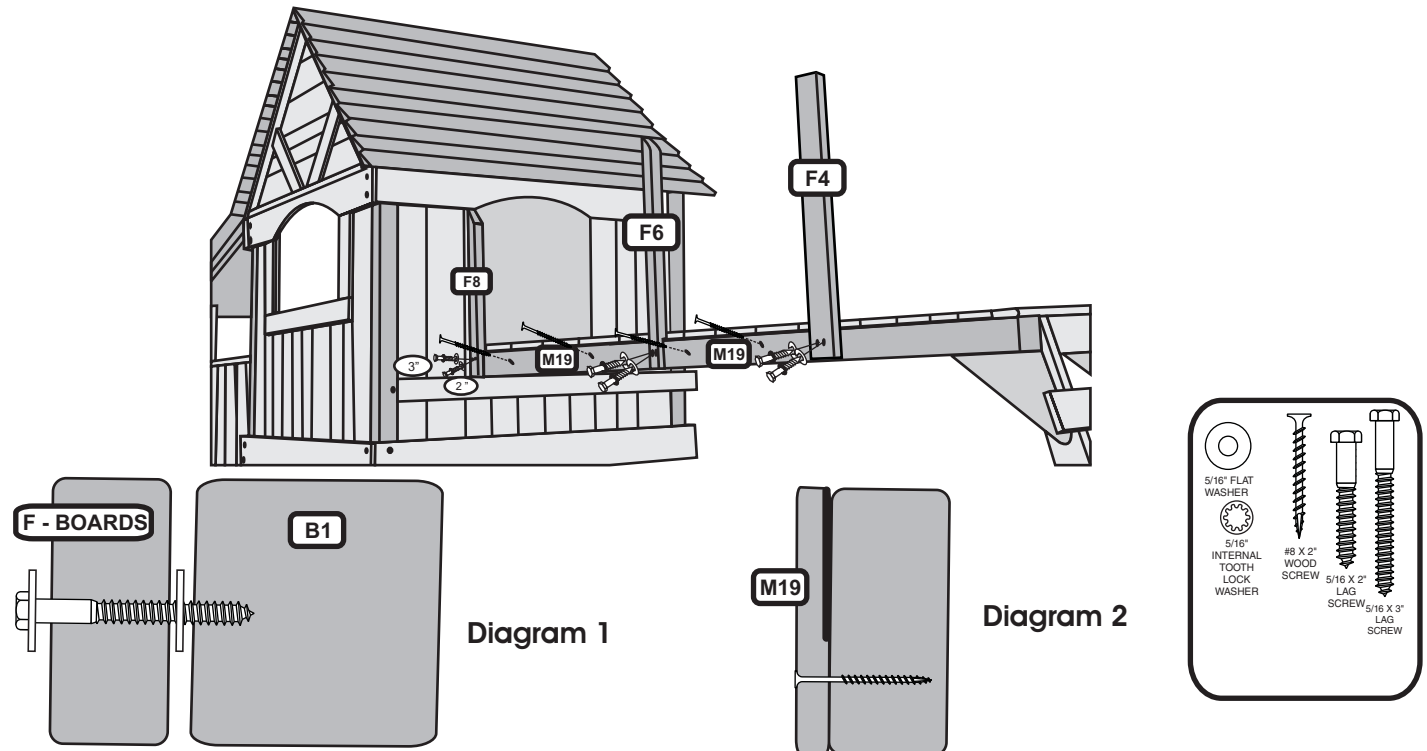
F6 * Back Tunnel Rail * 2 Holes * 1 Req
1-3/8 x 2-3/8 x 29 [3.49 x 6.03 x 73.66]



M19 * Tunnel Support Board * 3 Holes * 4 Req
11/16 x 3-3/8 x 29-1/8 [1.74 x 8.57 x 73.98]



F8 * Back Tunnel Rail * 2 Holes * 1 Req
1-3/8 x 2-3/8 x 24-1/4 [3.49 x 6.03 x 61.60]



Step 97

Place **F8 Back Tunnel Rail** against the Tunnel Support Beam and tight against the Club House Wall Board. Using countersunk holes in F8, pilot drill with 3/16" drill bit into Tunnel Support Beam. Insert 3" Lag Screw, Lock Washer and Flat Washer at inside hole toward Club House and 2" Lag Screw, Lock Washer and Flat Washer in the outside hole pushing Lag Screw through hole in back Tunnel Rail. Then place 5/16" Flat Washer on end of Lag Screws, per diagram #1, and attach to back Tunnel Support Beam. Leave loose to allow Plastic Tunnel to slide between Rail and Beam Support at a later time.

Step 98

Place **M19 Tunnel Support Board** tight against F8 back Tunnel Rail and attach to Tunnel Beam Support with 2" Wood Screws, per diagram #2. Do not tighten all the way down at this time, again to allow Plastic Tunnel to slide between board and beam.

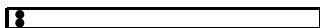
Step 99

Place **F6 Back Tunnel Rail** against M19 Tunnel Support Board making sure bottom of Tunnel Rail is flush with bottom of Tunnel Beam Support. Pilot drill using 3/16" drill bit. Now insert 3" Lag Screws, Lock Washers and Flat Washers. Push through countersink holes in Tunnel Rail. Again, on backside, place 5/16" Flat Washer on Lag Screw and screw into pilot holes leaving loose to allow tunnel to slip between rail and beam at later point. Now attach another M19 behind Tunnel Rail just installed and attach to beam using 2" Wood Screws, again leaving loose to allow Plastic Tunnel to slide between M19 and Beam.

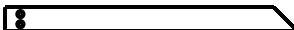
Step 100

Attach **F4 Tunnel Rail Support** placing tight against M19, just installed. Using countersunk holes, pilot drill beam with 3/16" drill bit. Then insert 3" Lag Screws, Lock Washers and Flat Washers through countersinks. Then place 5/16" Flat Washer on Lag Screw and screw into beam, leaving loose to allow tunnel to be place between rail and beam at later point.

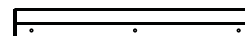
F4 * Tunnel Rail Support * 2 Holes * 4 Req
1-3/8 x 2-3/8 x 37 [3.49 x 6.03 x 93.98]



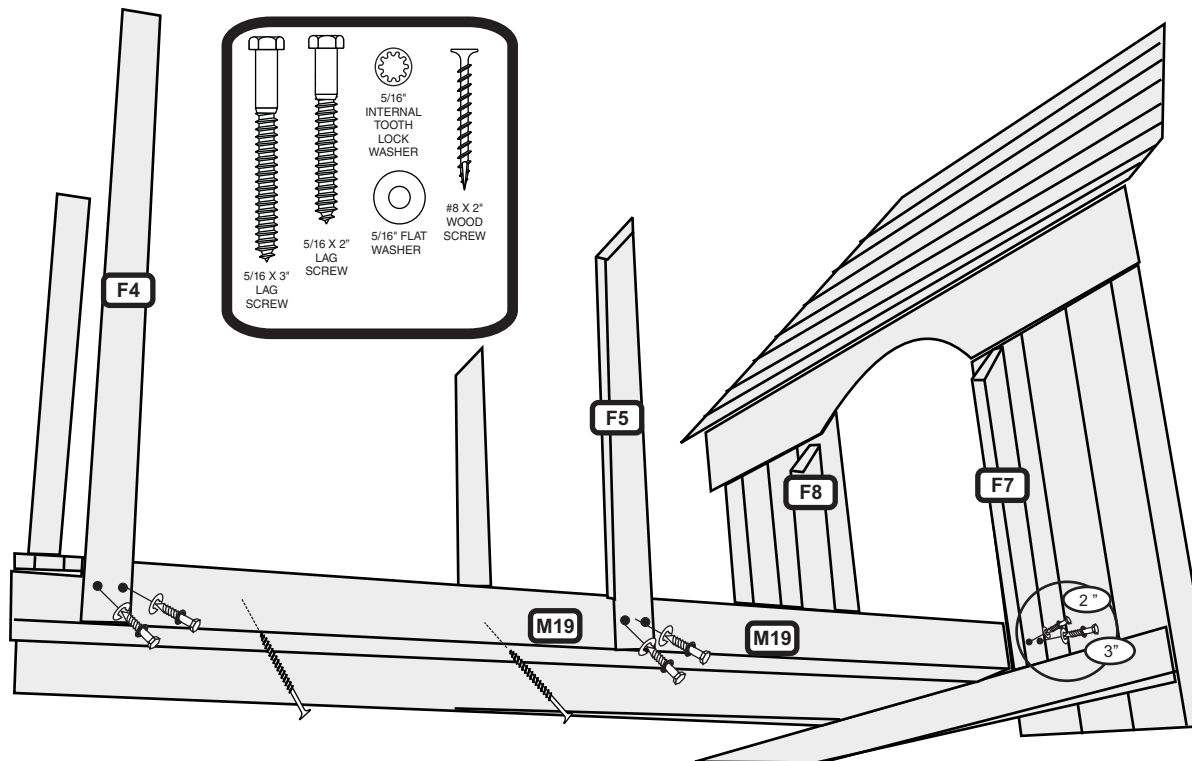
F5 * Front Tunnel Rail * 2 Holes * 1 Req
1-3/8 x 2-3/8 x 29 [3.49 x 6.03 x 73.66]



M19 * Tunnel Support Board * 3 Holes * 4 Req
11/16 x 3-3/8 x 29-1/8 [1.74 x 8.57 x 73.98]



F7 * Front Tunnel Rail * 2 Holes * 1 Req
1-3/8 x 2-3/8 x 24-1/4 [3.49 x 6.03 x 61.60]



Step 101

Place **F7 Front Tunnel Rail** against Club House Wall Board flush at front Tunnel Beam Support, using countersinks and pilot drill beam. Insert 3" Lag Screws, Lock Washers and Flat Washers at Club House side and 2" Lag Screw, Lock Washers and Flat Washers in hole going towards end of beam. Push through countersink holes and Tunnel Rail and place 5/16" Flat Washer onto Lag Screw and attach front Tunnel Support Beam. Leave loose, again to allow tunnel to slide between beam and rail.

Step 102

Position **M19 Tunnel Support Board** tight against F7 Tunnel Rail and attach using 2" Wood Screws. Again, leave loose to allow tunnel to slide between beam and support board. Now place **F5 Front Tunnel Rail** against M19 using countersink holes in rail, pilot drill using 3/16" bit into beam. Insert 3" Lag Screws, Lock Washers and Flat Washers, through rail. Again, place 5/16" Flat Washer to Lag Screws and attach F5 to beam leaving loose to allow tunnel to slide between beam and rail.

Place M19 against F5 Tunnel Rail and attach with 2" Wood Screws to beam. Leave loose to allow for tunnel to slide between support board and beam. Now position F4 against M19 flush at bottom of beam. Using countersink holes, pilot drill with 3/16" drill bit into beam. Insert 3" Lag Screws, Lock Washers and Flat Washers through countersunk holes. Then place 5/16" Flat Washer on Lag Screw and attach to front beam support. Leave loose to allow Plastic Tunnel to slide between rail and beam.

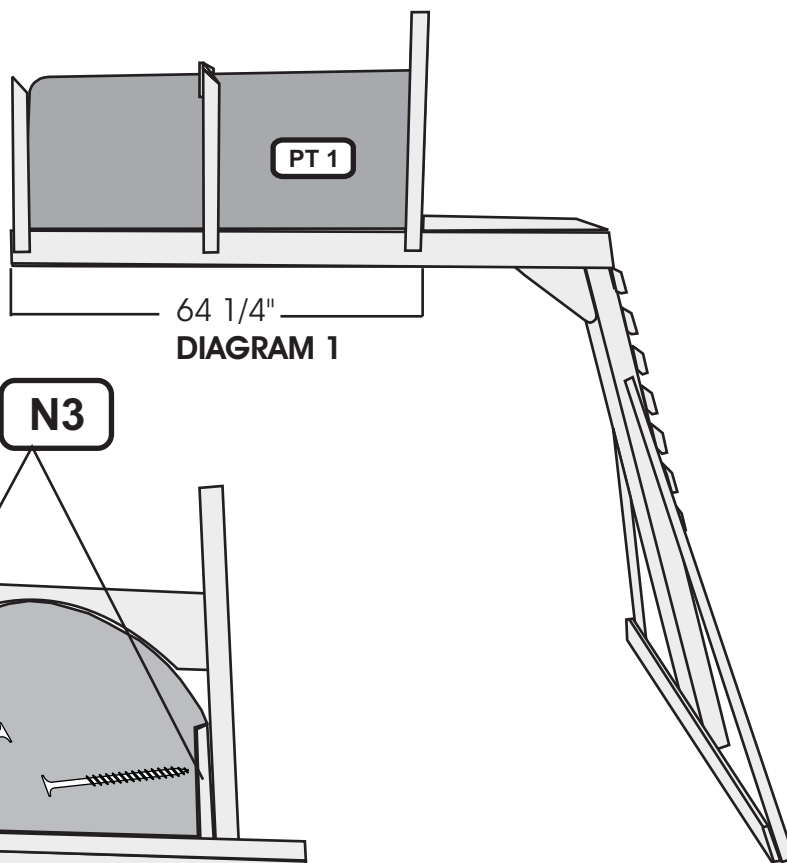
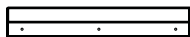


DIAGRAM 1

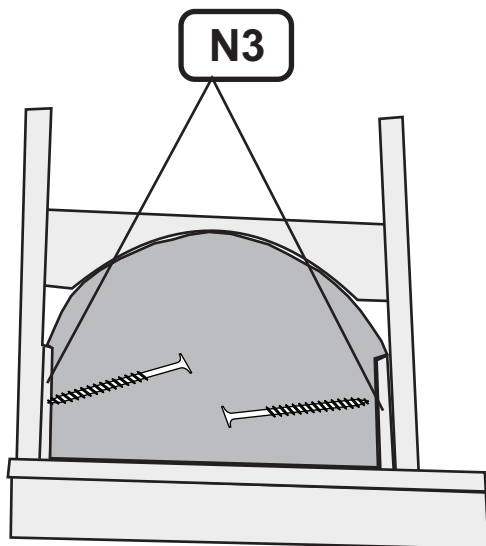
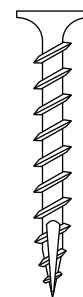


DIAGRAM 2

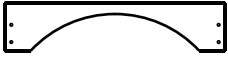


#8 X 1-1/2"
WOOD
SCREW

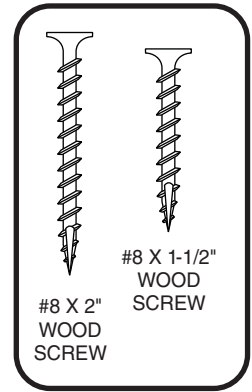
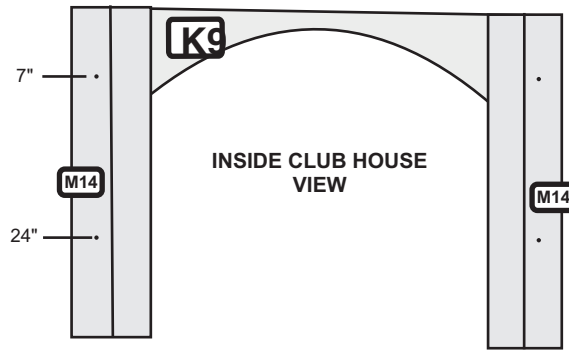
Step 103

To install **PT1 Plastic Tunnel**, you will need a minimum of two people; the more people the better. Make sure the 64 1/4" runs lengthwise with Tunnel Beam Supports). Using ladder, slide green plastic onto front side between M19 Support Rails and Upright Support Rails. Then bend in, folding over and push into opposite side between Support Rails and Beam. Push snug against Club House Wall Boards making sure top of Tunnel goes underneath Club House Archway. Now tighten M19 Supports to Beam. Attach **N3 Tunnel Support Board** on inside of the F4 Tunnel Rail Supports making sure notch slides over Tunnel and attach using three 1 1/2" Wood Screws on each side of Tunnel, per diagram #2.

K5 * Tunnel Arch * 4 Holes * 2 Req
11/16 x 5-1/2 x 25-1/2 [1.74 x 13.97 x 64.77]

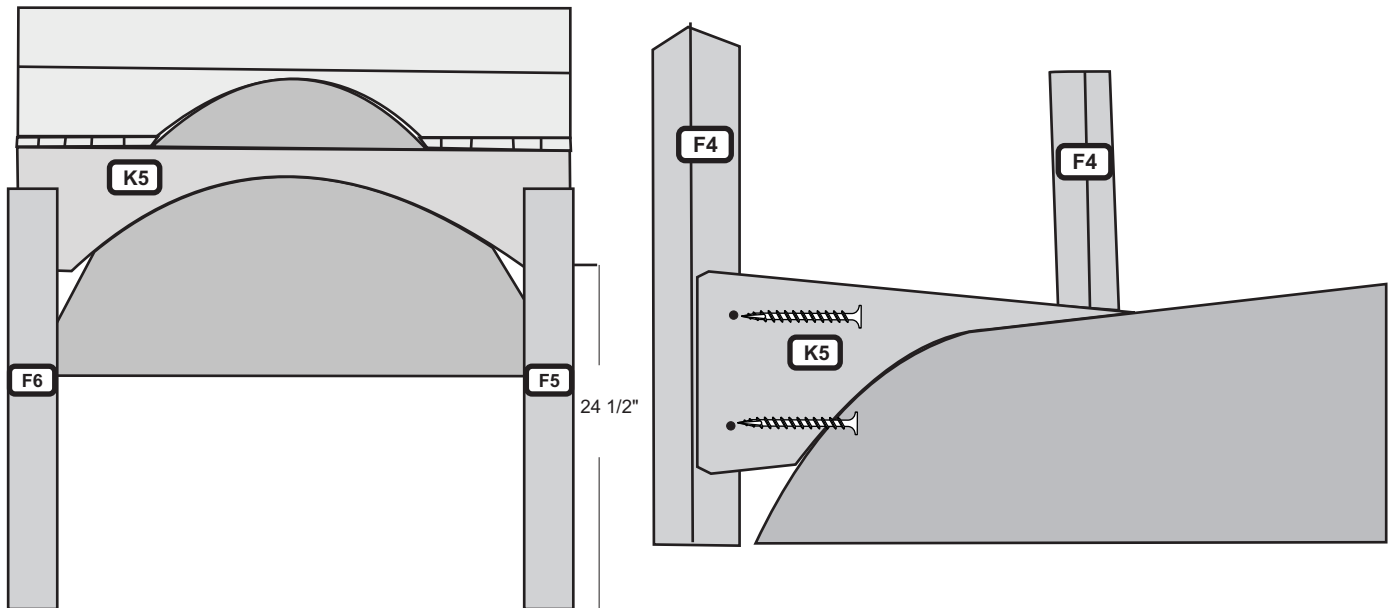


K9 * Tunnel Entrance Arch * 4 Holes * 1 Req
11/16 x 5-1/2 x 18 [1.74 x 13.97 x 45.72]



Step 104

On the inside of the Club House, measure $\frac{1}{2}$ " from edge and 7" and 24" down from top of **M14 Wall Boards** and pilot drill with $\frac{1}{8}$ " bit. With someone outside at F8 plumb up and down and use 2" Wood Screws thru holes. Install screws thru M14 into F8 then repeat on opposite side on F7. Attach **K9 Tunnel Entrance Arch** between Wall Boards above Tunnel. Attach using $1 \frac{1}{2}$ " Wood Screws. Pull down on top of Tunnel; it should fit tight between Roof Cap and Tunnel.

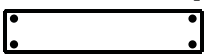


Step 105

Install **K5 Tunnel Arches** using 2" Wood Screws to F-Tunnel Rails. Measure $24 \frac{1}{2}$ " from bottom of Rails and mark all four F-Boards front and back. Place K5 Tunnel Arch Boards and attach bottom of board to mark on backside of both F-Rails. Move to front of Tunnel and pull K5 Arch to F-Rails at $24 \frac{1}{2}$ " mark pulling flush to outside using 2" Wood Screws.

Now securely tighten all the Lag Screws in F-Rails.

G21 * Crows Nest Rail * 4 Holes * 2 Req
 1 x 5-1/2 x 26-3/4 [2.54 x 13.97 x 67.95]



G20 * Crows Nest Rail * 4 Holes * 2 Req
 1 x 5-1/2 x 27-1/2 [2.54 x 13.97 x 69.85]



F4 * Tunnel Rail Support * 2 Holes * 4 Req
 1-3/8 x 2-3/8 x 37 [3.49 x 6.03 x 93.98]



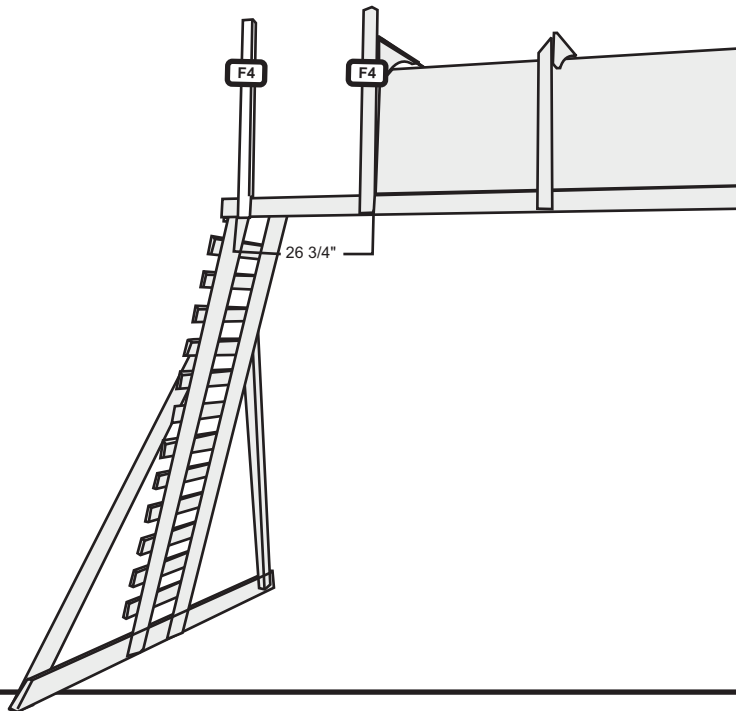
K6 * Crows Nest Arch * 4 Holes * 1 Req
 11/16 x 5-1/2 x 25-1/2 [1.74 x 13.97 x 64.77]



Step 106

Measure back from **F4 Tunnel Rail Support** and mark Tunnel Beam Support at 26 3/4". Place F4 at mark and use countersunk holes as guide to pilot drill with 3/16" drill bit.

Then with 3" lag screws, lock washers and flat washers, attach at front and back to B Supports.

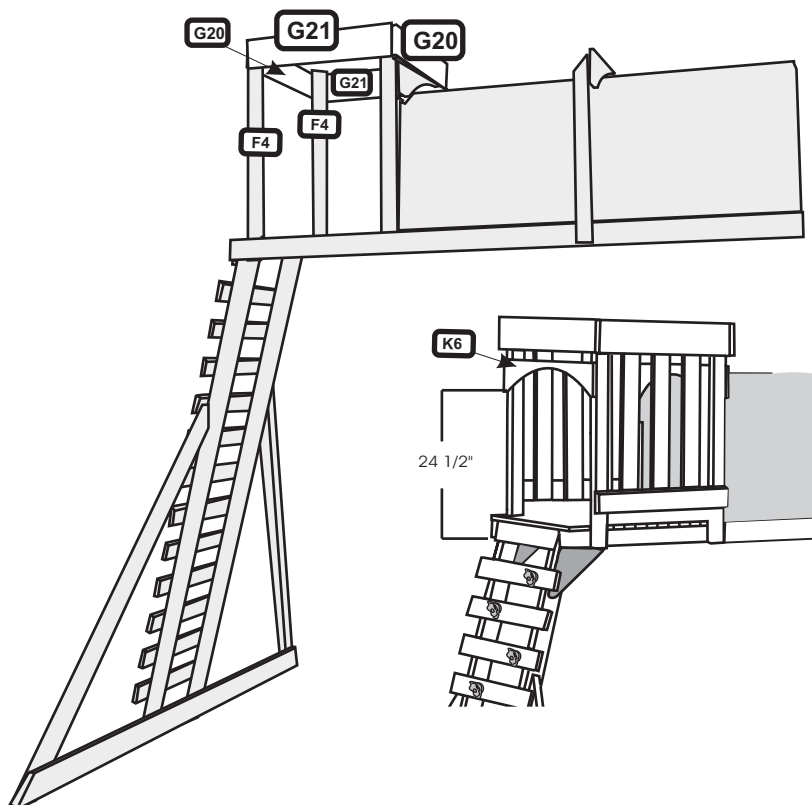


Step 107

Position **G21 Crows Nest Rails** to F4's, front and back. Pilot drill with 3/16" bit (using counter sinks as guides) into F4's, flush with outside and top of F4's. Attach using 2" Lag Screws, Lock Washers and Flat Washers.

Position **G20 Crows Nest Rail** flushing at top of F4's on both left and right side. They will flush up with outsides of G21 Rails. Again, pilot drill using 3/16" drill bit and attach using 2" Lag Screws, Lock Washers and Flat Washers.

Position **K6 Crows Nest Arch** measuring up 24 1/2" from F4 's supports. Mark both Rails at front and back and install K6 flush with outside of F4's using 2" Wood Screws.



H8 * Tunnel Wall Rail * 4 Holes * 2 Req
 1 x 3-1/2 x 26-3/4 [2.54 x 8.89 x 67.95]

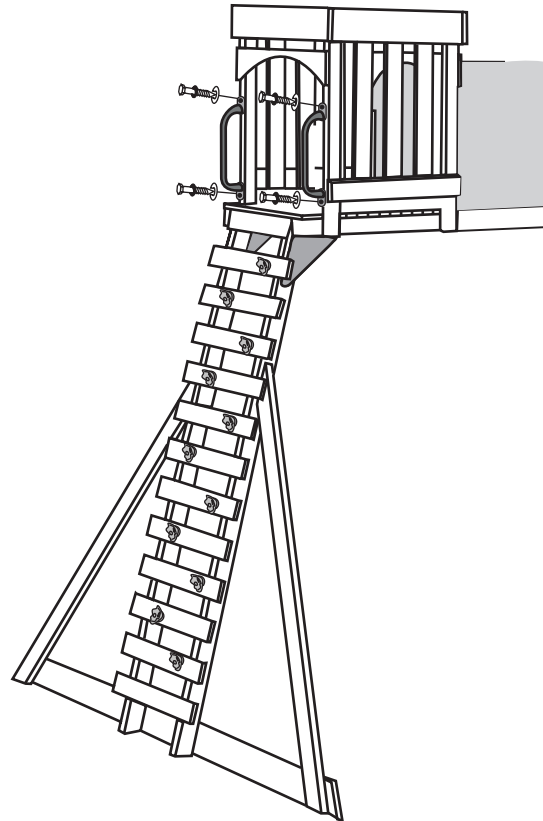


M18 * Crows Nest Wall Board * 4 Holes * 6 Req
 11/16 x 3-3/8 x 30-1/2 [1.74 x 8.57 x 77.47]



Step 108

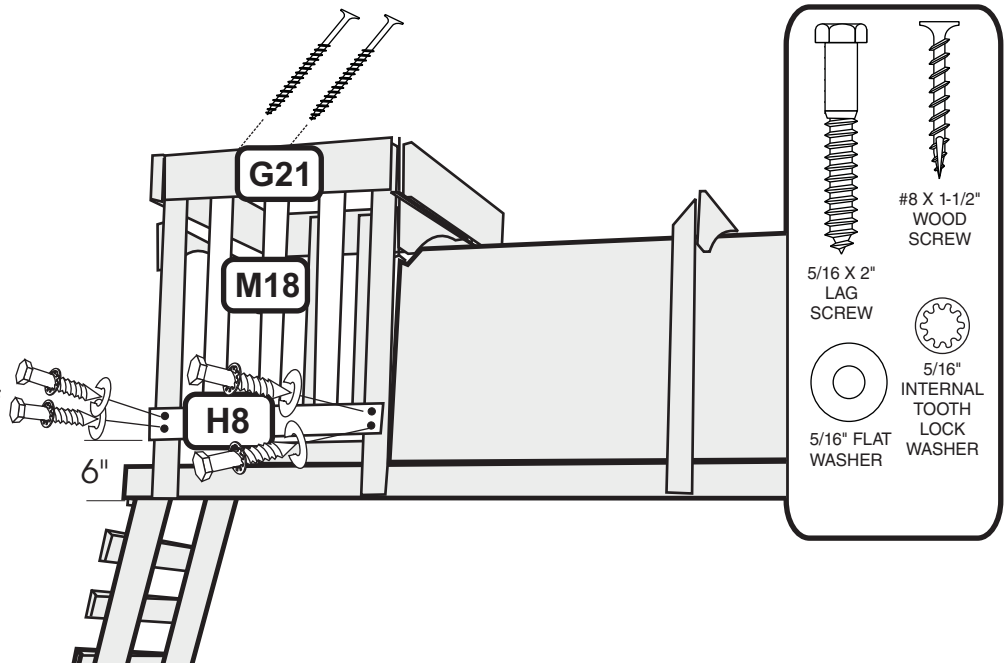
Measure down 4" from bottom of K6 on both F4 Rails mark the center board. Pilot drill using 3/16" drill bit and attach **Y30 Small Hand Grip** to F4's using 2" Lag Screw, Lock Washers and Flat Washers. Center bottom of Hand Grip on F4's using bottom hole as guide, pilot drill using 3/16" drill bit and finish attaching with 2" Lag Screws, Lock Washers and Flat Washers.



Step 109

Measure up from the bottom of all four F4's and mark all four corners, front and back at 6". Position **H8 Tunnel Wall Rail** and pilot drill using the 3/16" bit through countersinks, with the 6" mark being at bottom of H8. Attach using 2" Lag Screws, Lock Washers and Flat Washers at front and back of Tunnel Crows Nest.

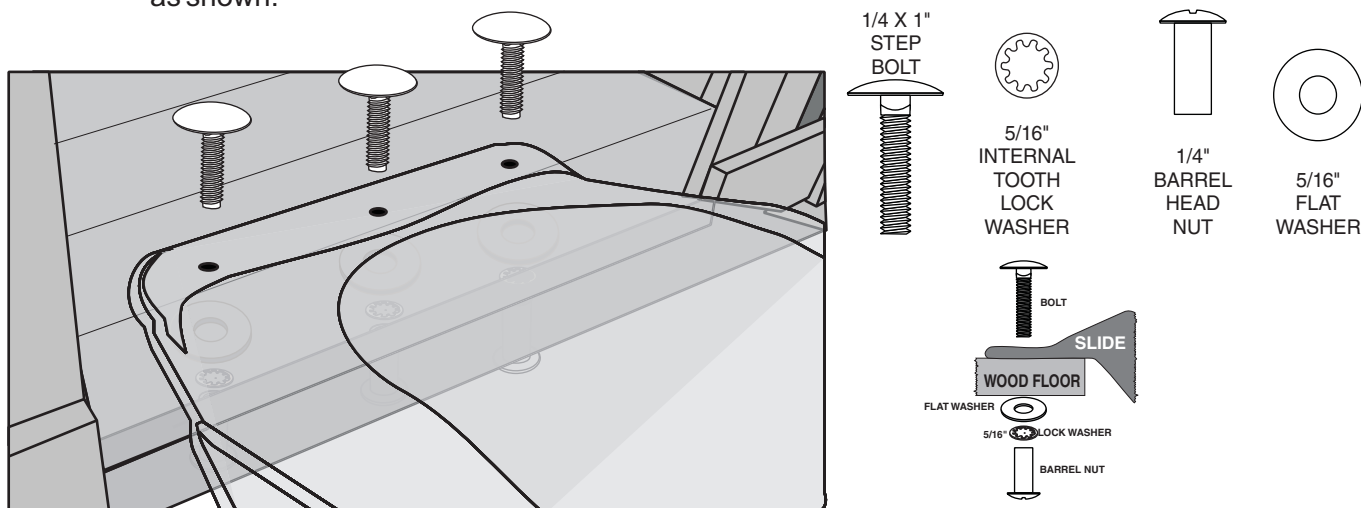
Place the board **M18 Crows Nest Wall Boards** to inside of H8 flushing with bottom of the board approximately 3" apart. Use 1 1/2" Wood Screws and attach to H8 and Crows Nest Rail G21.



Step 110 Position Slide on the right side of porch and use the holes to mark bolt locations.

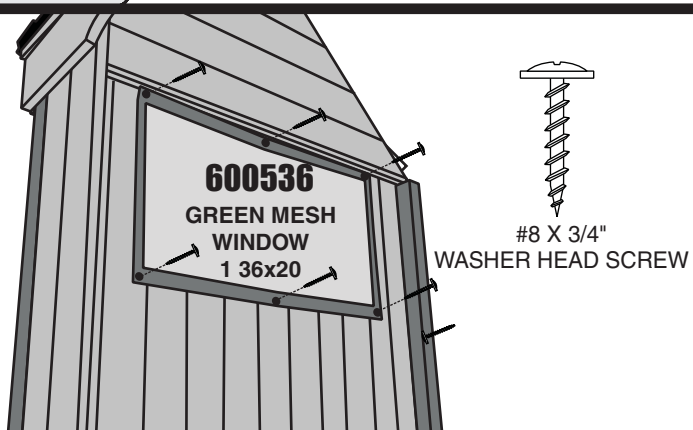
Move Slide a side and drill three 3/8" holes through floor boards.

Attach Slide using 1" Step bolts, Lock Washers, Flat Washers and Barrel Nuts as shown.

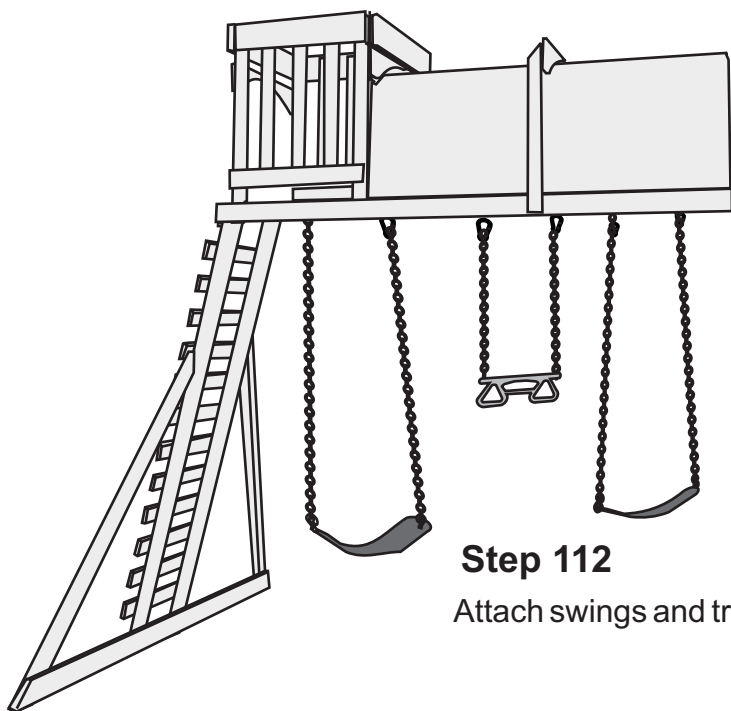


Step 111

Install window mesh in back clubhouse window using six 3/4" washer head screws.

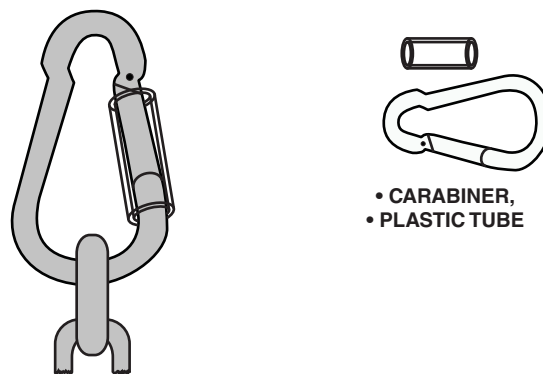


- Slip the Plastic Safety **Tubes** on the Carabiner.



Step 112

Attach swings and trapeze as shown in diagram.



MAINTENANCE

REQUIRED PERIODIC MAINTENANCE

All outdoor wooden products, including Leisure Time Products, Inc products, require routine inspection and regular maintenance. After installation, a follow-up inspection should take place after one week and twice a month thereafter for the remaining life of your play products. Maintenance should be performed at any time it is deemed necessary. As a general rule, major maintenance (wood refinishing) should be performed at twelve month intervals from the date of installation. Inspect and perform maintenance based on the following checklist.

Major wood parts: inspect for splintering and structural defects. If necessary, lightly sand and refinish with an exterior water repellent stain.

Hardware: inspect for tightness. Be certain that hardware is firmly against, but not crushing the wood. Over-tightening hardware crushes wood fibers and splits wooden components and could result in the bolt threads extending beyond the wood and presenting a severe safety hazard. If splintering has occurred from over tightening, larger washers can be purchased at your local hardware store and installed under the bolt head. Be sure to reuse or replace your lock washers.

If over-tightening has caused the bolt threads to protrude beyond the wood surface, replace the bolt with a shorter one that will not protrude. These bolts are standard items and can be purchased at your local hardware store.

Swing hangers: check to insure correct installation. Make sure that the bend of the swing hanger is positioned tightly against the stop washer and the ladder or swing beam. The axis of the swing hanger bushing must be perpendicular to the swing motion. If squeaking occurs, the nylon bushings can be sprayed with WD-40 or other household lubricant. Oil all metallic moving parts monthly during the usage period.

Check swings seats, ropes, cables, and chains monthly during usage season for evidence of deterioration. Replacement should be made in accordance with manufacturer's instructions.

Metal components: sand rusted areas on painted components and repaint using a non-lead based paint meeting the requirements of Title 16 CFR Part 1303.

Winterizing Your Play Set: remove plastic swing seats, trapeze bar, slide, and other plastic components and take indoors or do not use when the temperature drops below 20° F.

In the event that your set needs to be dismantled and disposed of due to storm damage, age, or other cause, make sure that you check your local city and state regulations or with your sanitation department for the proper method and means of disposal. Please dispose of the unit in such a way that no unreasonable hazards will exist (sharp edges, broken parts, and exposed screws) at the time it is discarded.

COMMONLY ASKED QUESTIONS AND ANSWERS

This section addresses some specific issues sometimes encountered during and after the assembly. Most are re-emphasis of items covered in detail elsewhere in this manual.

Question: *Now that my playset product is assembled and installed, will I have to do anything to it?*

Answer: Yes. You must provide routine inspections and regular maintenance. These procedures are covered in the "required periodic maintenance" section.

Question: *How often should my assembled playset product be inspected?*

Answer: An initial inspection should take place one week after installation and twice a month thereafter for the remaining life of your playset product.

Question: *When should the necessary maintenance be performed?*

Answer: Generally speaking, at the beginning of each season or as often as may be deemed necessary from an inspection. Major maintenance (primarily a thorough inspection and re-staining) should be performed at twelve-month intervals from the date of installation.

Question: *How do I know when my playset product needs refinishing?*

Answer: If water is absorbed into the wood, it's time to refinish your product. If, however, water beads and rolls off the wood, surfaces are protected.

Question: *Why does it seem that my playset product is developing cracks?*

Answer: The correct terminology for what appears to be cracks is "wood checks". A check is the radial separation of wood fibers running with the grain of wood caused by varying temperatures and moisture conditions. These checks will develop on the surface and end grains of the wood as an unavoidable aspect of the natural weathering process of all wood exposed to the elements. Checks occur after the wood has been wet, and outside surfaces dry faster than inside surfaces. Checks mainly affect the aesthetics of your play products and not its strength or durability. An exterior water repellent stain slows down the checking process because it reduces the amount of water that penetrates the wood.

Question: *Why is there so much movement in my play product, especially the top supports? It looks as if the wood will break?*

Answer: Because the structure is wooden rather than concrete or steel, movement is not only natural, but required. We have a saying... "if the branch doesn't bend, it will break." your play product has been designed to accommodate as many children as there are play positions. We recommend a maximum of 150 lbs. per child for play activities designed for individual use, and 120 lbs for multiple use activities. Please remember that your play product has been engineered for children 2 to 10 years old.

Question: *Why is my play product rocking?*

Answer: Rocking is caused by uneven ground under the base pieces. After a short period of time, your play product should settle into place and the ground stakes will provide proper stability. However, if rocks or roots surface under the base support pieces, these protrusions must be removed or the play product relocated to another area in order to eliminate rocking.

Question: ***Why is my play product leaning (racking)?***

Answer: Leaning occurs in play products installed on uneven ground. Realignment will be necessary and is covered in the "required periodic maintenance" section of this manual

Question: ***What can I do about squeaking swing connector hangers?***

Answer: To eliminate the squeak, spray the nylon bushings with WD-40 or other household lubricant. Some families like the squeaking as it allows them to hear where the children are playing.

Question: ***Why is the wood splintering under the bolts when I tighten the hardware?***

Answer: Wood will splinter when compressed. The compression caused by over-tightening fractures wood fibers and is an indication that you are cranking down too hard on the hardware. If splintering has occurred, we recommend that you purchase larger diameter flat washers to install under the head of the bolts.

Question: ***Why does my play product have mold growing on it? What can I do to remove it and keep it clean of mold and mildew?***

Answer: Because the structure is wooden rather than concrete or steel, in areas of high humidity mold and/or mildew may occur. A solution of 1 part bleach, 2 parts water applied with a sponge should clean the problem areas. Once the solution is dry, a water sealant should be applied to the entire swingset.

Question: ***What if my ground stakes won't go in the ground?***

Answer: If your ground is too hard, you can dig and cement the metal anchors in the ground.

Question: ***What if my ground stakes won't stay in the ground?***

Answer: This is probably caused by your ground being too soft. The ground stakes can be concreted or cemented into the ground. Do not concrete or cement the playset itself, only the ground stakes.

Question: ***Who can I hire to assemble my playset?***

Answer: We do not suggest assemblers. Please refer to your yellow pages or ask for a recommendation from where you purchased your playset.

FOR YOUR RECORDS

WHERE PURCHASED: _____

PURCHASE DATE: _____ INSTALLATION DATE: _____

MODEL NAME & NUMBER _____

PLEASE READ THIS BOOKLET COMPLETELY BEFORE BEGINNING THE ASSEMBLY PROCESS.

THIS MANUAL HAS BEEN PREPARED TO HELP YOU AND YOUR FAMILY ACHIEVE FULL BENEFIT FROM YOUR *LEISURE TIME PRODUCTS INC.* BACKYARD PLAYSET. IT CONTAINS HELPFUL INFORMATION CONCERNING ASSEMBLY PREPARATION, INSTALLATION PROCEDURE, REQUIRED MAINTENANCE, REPLACEMENT PARTS, AND SHOULD THE SITUATION OCCUR, THE PROCEDURE FOR FILING A WARRANTY CLAIM.

PLEASE VALIDATE YOUR WARRANTY BY COMPLETING THE WARRANTY INFORMATION CARD AND RETURN IT TO US WITHIN 30 DAYS OF INSTALLATION. THIS INFORMATION IS USED EXCLUSIVELY FOR INTERNAL PURPOSES AND AS A VERIFICATION IF NECESSARY.

THE WARRANTY ON *LEISURE TIME PRODUCTS INC.* PLAY PRODUCTS IS VALID TO THE ORIGINAL PURCHASER AND IS NOT TRANSFERABLE. IT SHOULD BE NOTED THAT *LEISURE TIME PRODUCTS INC.* CANNOT ASSUME ANY RESPONSIBILITY FOR MODIFICATION, OR ACCESSORIES ADDED TO THIS PRODUCT OTHER THAN THOSE MANUFACTURED AND SOLD BY *LEISURE TIME PRODUCTS INC.*

THIS PRODUCT HAS BEEN DESIGNED FOR RESIDENTIAL USE ONLY. THE WARRANTY BECOMES VOID WHEN USED IN A DAYCARE, PRESCHOOL, NURSERY SCHOOL, RECREATIONAL PARK OR ANY OTHER SIMILAR COMMERCIAL APPLICATION.

FOR WARRANTY CLAIM PURPOSES, YOU MUST RETAIN YOUR SALES RECEIPT OR OTHER MEANS OF PROOF-OF-PURCHASE. YOU SHOULD ALSO KEEP THIS BOOKLET FOR FUTURE REFERENCE. PLEASE ATTACH THE SALES RECEIPT TO THE INSIDE COVER OF THIS BOOKLET FOR FUTURE REFERENCE.

5 YEAR PRO-RATE WARRANTY

Subject to normal use, *LEISURE TIME PRODUCTS, INC.* warrants, to the original purchaser, all products to be free from workmanship defects for a period of one year from the date of original purchase.

The lumber in all *LEISURE TIME PRODUCTS, INC.* Ready-to Assemble sets is covered by a 5 year pro-rated warranty against wood rot and termite damage.

Non-wooden parts such as hardware, roped or chained accessories, slides, metal or plastic components, and canopies carry a one year warranty.

It is the customer's responsibility to perform regular inspections and maintenance to insure that the product is not prematurely aging. These inspections would include an evaluation of the stained finish, all ropes, chains, hardware, plastic and wooden components. A complete listing of replacement parts is available through your *LEISURE TIME PRODUCTS, INC.* Customer Service Department.

This Limited Warranty does not cover the labor or cost of labor for replacement of the defective item; the cost of freight after the initial 30 day period; any incidental or consequential damages, cosmetic defects which do not affect the structural integrity of the unit; items damaged due to vandalism, acts of God, improper usage, improper installation or other abnormal conditions. Seasonal checks and surface cracks are natural characteristics of all outdoor wooden play equipment, and are not considered defects nor covered under this warranty. *LEISURE TIME PRODUCTS, INC.* cannot assume any responsibility for modification to, or accessories added to this product, other than those sold by *LEISURE TIME PRODUCTS, INC.*

This warranty covers residential installations only as the product has not been designed for, nor will perform safely, in any commercial application. This warranty gives you specific legal rights and you may also have other rights which vary from state to state. This warranty excludes all consequential damages. Some states do not allow the limitation or exclusion of consequential damages so the above limitation may not apply to you.

Special Note: We reserve the right to make changes in material and design without notice.

PRO-RATED IN WARRANTY REPLACEMENT PART COST TO CUSTOMER

AGE	CUSTOMER PAYS
0-1	0% + S & H (After first 30 days)
2.....	20% + S & H
3.....	40% + S & H
4.....	60% + S & H
5.....	80% + S & H
Over 5	100% + S & H



Sand Box Cover*
#999263



Picnic Table Add-on Kit*
#937430



Sub-Floor Add-on Kit*
#999270



Steering Wheel
#937437



Two Seat Glider
#937465



Infant Swing
#937444



Toddler Swing
#937451



Telescope
#937472



Tic-Tac-Toe
Play Activity
Add-On
#937416

These accessories are
Available at samsclub.com



Replacement Parts

937479 Yellow Plastic Hand Grips

937486 Belt Swing

937493 Trapeze Bar

***FOR MODEL 6007 AND 6008 ONLY**