



MONTEREY

Wooden Swing Set

Model: #6012

D I S C O V E R Y



- *Owner's Manual*
- *Frequently Asked Questions*
- *Assembly Instructions*
- *Warranty Information*

*Manufacturer: Backyard Discovery
3001 North Rouse
Pittsburg, KS 66762
1-800-856-4445*

*Register your new swing set on-line @ www.swingsetsonline.com
(you will also find any updates on assembly instructions and
information to order replacement parts)*

*Features the **SAFE-T-FUSE** fastening system.*

Patent Pending

*Save this assembly manual for future reference in the event that
you need to order replacement parts.*

RELEASE "A"

STOP PARE

Missing A Part?

CALL US BEFORE GOING
BACK TO THE STORE!

The store where you made your purchase
does not stock parts for this item.

If you have assembly questions or if you need parts,
whether they are missing or damaged

Call Toll-Free Help Line or visit www.swingsetsonline.com

¡LLÁMENOS ANTES DE REGRESAR A LA TIENDA!

La tienda donde realizó la compra no almacena piezas de este producto.

Si tiene preguntas sobre el ensamblaje o si necesita piezas debido a que
faltan o están dañadas

llame gratis a la línea de ayuda

1-800-765-4138

PLEASE READ THIS BEFORE STARTING ASSEMBLY POR FAVOR LEA ESTAS INSTRUCCIONES ANTES DE COMENZAR EL ENSAMBLAJE

- READ THE ASSEMBLY MANUAL COMPLETELY, PAYING SPECIAL ATTENTION TO THE IMPORTANT TIPS AND SAFETY INFORMATION.
- AFTER YOU HAVE READ THE ASSEMBLY MANUAL, YOU WILL BE ABLE TO DECIDE IF YOU NEED PROFESSIONAL HELP TO COMPLETE THE ASSEMBLY OF THE PLAYSET.
- SEPARATE AND IDENTIFY ALL PARTS TO MAKE SURE THAT YOU HAVE ALL OF THE PARTS LISTED.
- IF YOU CAN'T FIND ALL OF THE PARTS, CHECK THE PACKING MATERIAL. SMALL PARTS MAY HAVE FALLEN INTO IT DURING SHIPMENT.
- IF YOU HAVE PROBLEMS WITH THE ASSEMBLY OR IF ANY PART IS MISSING OR DAMAGED, PLEASE CALL THE HELP LINE **1-800-765-4138** OR VISIT www.swingsetsonline.com.
- LEA EL MANUAL DE ENSAMBLAJE COMPLETAMENTE, PRESTANDO ESPECIAL ATENCIÓN A LOS CONSEJOS ÚTILES IMPORTANTES Y A LA INFORMACIÓN SOBRE SEGURIDAD.
- DESPUÉS DE QUE HAYA LEÍDO EL MANUAL DE ENSAMBLAJE, PODRÁ DECIDIR SI NECESITA AYUDA PROFESIONAL PARA EFECTUAR EL ENSAMBLAJE DE LA UNIDAD DE JUEGOS.
- SEPARE E IDENTIFIQUE TODAS LAS PIEZAS PARA COMPROBAR QUE DISPONE DE TODAS LAS PARTES INDICADAS.
- SI NO PUEDE ENCONTRAR TODAS LAS PIEZAS, REVISE EL MATERIAL DE EMPAQUE. ES POSIBLE QUE ALGUNAS PIEZAS PEQUEÑAS PUEDAN HABERSE CAÍDO ALLÍ DURANTE EL ENVÍO.
- SI TIENE PROBLEMAS CON EL ENSAMBLAJE O SI ALGUNA PIEZA FALTA O ESTÁ DAÑADA, LLAME A LA LÍNEA DE AYUDA AL **1-800-765-4138** O VISITE www.swingsetsonline.com.

PLEASE HAVE THE FOLLOWING INFORMATION WHEN YOU MAKE YOUR CALL:

- 1 – MODEL NUMBER OF THE PRODUCT LOCATED ON THE FRONT OF THE ASSEMBLY MANUAL
- 2 – DESCRIPTION OF THE PART FROM THE PARTS LIST

POR FAVOR TENGA VISIBLE LA SIGUIENTE INFORMACIÓN CUANDO LLAME:

- 1 - NÚMERO DE MODELO DEL PRODUCTO QUE SE ENCUENTRA UBICADO AL FRENTE DEL MANUAL DE ENSAMBLAJE
- 2 - DESCRIPCIÓN DE LA PIEZA QUE SE ENCUENTRA EN LA LISTA DE PIEZAS

Owner's Manual Play Set

Dear Customer:

Please read entire booklet completely before beginning the assembly process.

Equipment is recommended for use by **children 3 to 10 years of age**. Structures are **not intended for public use**. **The Company does not warranty any of its residential structures subjected to commercial use such as: Daycare, Preschool, Nursery School, Recreational Park, or any similar Commercial Application.**



WARNING: This Symbol points out important safety instructions which, if not followed, could endanger the personal safety of yourself and your children and/or damage your property. You **MUST** read and follow all instructions in this manual before attempting to use this playcenter.



WARNING: Children must **NOT** use this playcenter until unit has been completely assembled and inspected by an adult to insure set has been properly installed and anchored.

Please follow all recommendations below. **Failure to do so may result in the warranty being void and/or safety violations that could result in serious injury.** This manual contains helpful information concerning Assembly Preparation, Installation Procedure, and Required Maintenance. Always keep the safety of your children in mind as your play structure is being built and as your children play on the set. Before your children play on the set please review the Operation Instructions with them to help ensure their safety.

PLEASE RETAIN THESE INSTRUCTIONS FOR FUTURE REFERENCE. KEEP THEM IN A SAFE PLACE WHERE YOU CAN REFER TO THEM AS NEEDED. IN ORDER TO PROVIDE YOU WITH THE MOST EFFICIENT SERVICE, IT IS REQUIRED THAT YOU PROVIDE US WITH THE PART NUMBERS WHEN ORDERING PARTS.

For Your Records:

Please take time and fill out the information below. This information will be needed for warranty issues.

Where Purchased: _____

Date of Purchase: _____

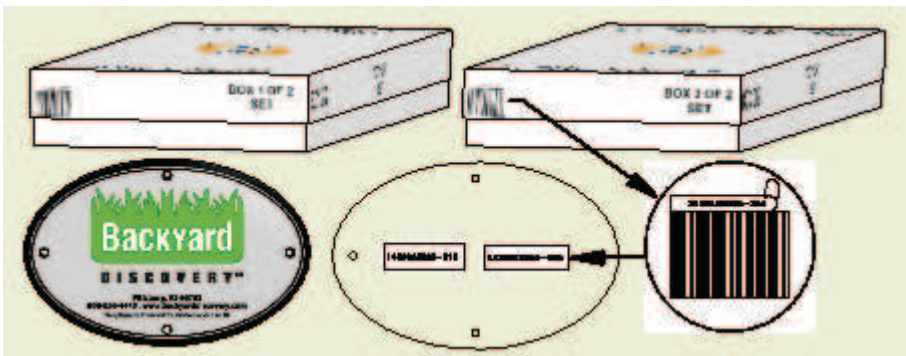
Installation Date: _____

Installed by: _____

Staple Receipt Here

Sales Receipt		
Store Name		
Main Street		
Hometown, USA		
110032	BYO Playset	\$555
220033	BYO Playhouse	\$55
330034	BYO Garden	\$55
440035	BYO Outdoor Product	\$55
Total		\$555

Thank You For Shopping With Us.



Tracking Number Reference Label

Remove label sticker from each carton and stick on the back side of ID plate. In the event of warranty claim this will help identify your unit.

Owner's Manual Play Set

Please refer to the Assembly section of the Assembly Manual for Maximum Fall Height.

Positioning Your Playcenter

1. The Playcenter is designed to be installed on a level surface **by an Adult with an Adult helper**. Place in a flat area of your yard to minimize ground preparation.
2. Choose a level location for the equipment. This can reduce the likelihood of the play set tipping over and loose-fill surfacing material washing away during heavy rains.
3. Place the equipment not less than **6 ft** from any structure or obstruction such as a fence, garage, house, overhanging branches, laundry lines, or electrical wires.
4. Provide enough room so that the children can use the equipment safely. For example, for structures with multiple play activities, a slide should not exit in front of a swing.
5. It is a good idea to place your Playcenter in an area that is convenient for adults to watch children at play.
6. Create a site free of obstacles that could cause injuries – such as low overhanging tree branches, overhead wires, tree stumps and/or roots, large rocks, bricks and concrete. Additional suggestions in the Suggested Playground Surfacing Section.
7. Do not build your playset on top of surfacing material.
8. Locate bare metal platforms and slides out of direct sunlight to reduce the likelihood of serious burns. A slide that faces north will receive the least direct sunlight.
9. Separate active and quiet activities from each other. For example, locate sandboxes away from swings or use a guardrail or barrier to separate the sandbox from the movement of the swings.

Suggested Playground Surfacing

- ❑ Playground equipment should never be placed on hard surfaces such as concrete or asphalt.
- ❑ Do not install loose fill surfacing over hard surfaces such as concrete or asphalt.
- ❑ Shredded bark mulch, wood chips, fine sand and fine gravel, are added as shock absorbing materials after assembly. If used properly these materials can absorb some of the impact of a child's fall.
- ❑ All surface material should extend a minimum of 6 feet in all directions around the play area.
- ❑ Do not apply playground surfacing until after the unit is completely constructed. Playset should not be built on top of surfacing.
- ❑ Use containment, such as digging out around the perimeter and/or lining the perimeter with landscape edging.
- ❑ Installations of rubber tiles or poured-in-place surfaces (other than loose-fill materials) generally require a professional and are not "do-it-yourself" projects.
- ❑ Shall use Playground Surfacing Materials (other than loose-fill material) which comply with the safety standard ASTM F1292 Standard Specification of Impact Attenuation of Surfacing Materials within the Use Zone of Playground Equipment.

Owner's Manual Play Set

The following chart explains the fall height in feet from which a life threatening head injury would not be expected

Critical Heights in feet (m) of Tested Materials

Material	Uncompressed Depth			Compressed Depth
	6" (152mm)	9" (228mm)	12" (304mm)	to 9" (228mm)
Wood Chips	7' (2.13m)	10' (3.05m)	11' (3.35m)	10' (3.05m)
Double-Shredded bark mulch	6' (1.83m)	10' (3.05m)	11' (3.35m)	7' (2.13m)
Engineered Wood Fibers	6' (1.83m)	7' (2.13m)	>12' (3.66m)	6' (1.83m)
Fine Sand	5' (1.52m)	5' (1.52m)	9' (2.74m)	5' (1.52m)
Coarse Sand	5' (1.52m)	5' (1.52m)	6' (1.83m)	4' (1.22m)
Fine Gravel	5' (1.52m)	7' (2.13m)	10' (3.05m)	6' (1.83m)
Medium Gravel	5' (1.52m)	5' (1.52m)	6' (1.83m)	5' (1.52m)
Shredded Tires*	10-12' (3.0-3.6m)	N/A	N/A	N/A

*This data is from tests conducted by independent testing laboratories on a 6-inch depth of uncompressed shredded tire samples produced by four manufacturers. The tests reported critical heights, which varied from 10 feet to greater than 12 feet. It is recommended that persons seeking to install shredded tires as a protective surface request test data from the supplier showing the critical height of the material when it was tested in accordance with ASTM F1292.

Operating Instructions:



NOTE: Your children's safety is our #1 concern. Observing the following statements and warnings reduces the likelihood of serious or fatal injury. Please review these safety rules regularly with your children.

1. This Playcenter is designed for specific number of occupants whose combined weight **should not exceed** a designated weight on the elevated floor or the swing area, the total Unit capacity is outlined in the Basic Setup Dimensions section of instruction manual. The maximum fall height and recommended play area is also available in the Basic Setup Dimensions section of the manual for the specific unit.
2. On-site adult supervision is **required**.
3. Instruct children **not** to walk close to, in front of, behind, or between moving swings or other moving playground equipment.
4. Instruct children to sit in and **never** stand on swings
5. Instruct children **not** to twist the chains and ropes and not to loop them over the top support bar, since this may reduce the strength of the chain or rope.
6. Instruct children **not** to jump from swings or other playground equipment in motion.
7. Instruct children to **not to push** empty seats. The seat may hit them and cause serious injury.
8. Instruct and teach children to sit in the center of the swings with their full weight on the seats.
9. Instruct children **not** to use the equipment in a manner other than intended.
10. Instruct children to **always** go down slides feet first. Never slide head first.
11. Instruct children to **look** before they slide to make sure no one is at the bottom.
12. Instruct children to **never** run up a slide, as this increases their chances of falling.
13. The parents should have the children **dress appropriately** with well-fitting shoes. Loose clothing such as scarves and ponchos should not be worn. Always take off, tie up or tuck in cords and drawstrings on children's clothing. These things can get caught on playground equipment and strangle a child.
14. Instruct children **not** to climb when the equipment is wet.
15. Instruct children to **never** jump from a fort deck. They should always use the ladder, ramp or slide.
16. Instruct children to **never** crawl or walk across the top of monkey bars.

Owner's Manual Play Set

17. Instruct children to **never** crawl on top of a fort roof.
18. Verify that any suspended climbing ropes, chain, or cable are secured at both ends and that they cannot be looped back on it.
19. Instruct children **not** to attach items to the playground equipment that are not specifically designed for use with the equipment, such as, but not limited to, jump ropes, clothesline, pet leashes, cables and chain as they may cause a strangulation hazard.
20. Instruct children to **never** wrap their legs around swing chain.
21. Instruct children to **never** slide down the swing chain.
22. Instruct children to remove their bike or other sports helmet before playing on playground equipment.

Maintenance Instructions:

1. Check all nuts and bolts twice monthly during the usage season and tighten as required. (But not so tight that you crack the wood) We recommend you check the swing beam and hardware every two weeks due to wood expansion and contraction. It is particularly important that this procedure be followed at the beginning of each season.
2. Remove plastic swing seats and take indoors or do not use when the temperature drops below 32 °F.
3. Reinstall any plastic parts, such as swing seats or any other items that were removed for the cold season.
4. Oil all metallic moving parts monthly during the usage period.
5. Check all coverings for bolts and sharp edges twice monthly during usage season to be certain they are in place. Replace when necessary. It is especially important to do this at the beginning of each new season.
6. Check swing seats, ropes, cables and chains monthly during usage season for evidence of deterioration. Replacement should be made of any swing seat that has developed cracks in the plastic seats or has exposed metal in the edges of the swing seat. If there are already exposed metal inserts on the edge of the seat, immediately remove the seats and chains to prevent serious injury. Ropes, cables and chains should be removed and replaced if excessive wear is found.
7. For rusted areas on metallic members such as monkey bars, hand supports, brackets, etc. Sand and repaint, using a non lead-based paint meeting the requirements of Title 16 CRF Part 1303.
8. Inspect wood parts monthly. The grain of the wood sometimes will lift in the dry season causing splinters to appear. Light sanding may be necessary to maintain a safe playing environment. If you are treating your Playcenter with stain regularly, it will help prevent severe checking/splitting and other weather damage.
9. We have applied a waterborne transparent stain to your unit. This is done for color only. Once or twice a year, depending on your climate conditions, you must apply some type of protection (sealant) to the wood of your unit. Prior to the application of sealant, lightly sand any "rough" spots on your set. Please note this is a requirement of your warranty.
10. Creating and maintaining the Playcenter on a level location is very important. As your children play, your Playcenter will slowly dig its way into the soil, and it is very important that it settles evenly. Make sure the play set is level and true once each year or at the beginning of each play season.
11. Rake and check depth of loose fill protective surfacing materials to prevent compaction and to maintain appropriate depth. Replace as necessary (once a month during play season).

Owner's Manual Play Set

Disposal Instructions:

When the Playcenter use is no longer desired, it should be disassembled and disposed of in such a way that no unreasonable hazards will exist at the time the unit is discarded.

Third Party Assembly:

Customer may, in their sole discretion, elect to use a third party person or service to assemble this product. Backyard Discovery assumes no responsibility or liability for any charge incurred by the Customer for any assembly services'.

Please see our warranty for more information about damaged and missing part replacement coverage. Backyard Discovery will not reimburse Customer for the price of parts purchased.

APPENDIX A

Information on Playground Surfacing Materials:

*The following information is from the **United States Consumer Product Safety Commission's Information Sheet for playground surfacing material**; also see the following website for additional information: www.cpsc.gov/cpsc/pub/pubs/323.html.*

X3. CONSUMER INFORMATION SHEET FOR PLAYGROUND SURFACING MATERIALS¹¹

X3.1 The U.S. Consumer Product Safety Commission (CPSC) estimates that about 100,000 playground equipment-related injuries resulting from falls to the ground surface are treated annually in U.S. hospital emergency rooms. Injuries involving this hazard pattern tend to be among the most serious of all playground injuries, and have the potential to be fatal, particularly when the injury is to the head. The surface under and around playground equipment can be a major factor in determining the injury-causing potential of a fall. It is self evident that a fall onto a shock-absorbing surface is less likely to cause a serious injury than a fall onto a hard surface. Playground equipment should never be placed on hard surfaces such as concrete or asphalt and while grass may appear to be acceptable it may quickly turn to hard packed earth in areas of high traffic. Shredded bark mulch, wood chips, fine sand or fine gravel are considered to be acceptable shock absorbing surfaces when installed and maintained at a sufficient depth under and around playground equipment.

X3.2 Table X3.1 lists the maximum height from which a child would not be expected to sustain a life-threatening head injury in a fall onto four different loose-fill surfacing materials if they are installed and maintained at depths of 6, 9, and 12 in. However, it should be recognized that all injuries due to falls cannot be prevented no matter what surfacing material is used.

X3.3 It is recommended that a shock absorbing material should extend a minimum of 6 ft in all directions from the perimeter of stationary equipment such as climbers and slides. However, because children may deliberately jump from a moving swing, the shock absorbing material should extend in the front and rear of a swing a minimum distance of 2 times the height of the pivot point measured from a point directly beneath the pivot on the supporting structure.

X3.4 This information is intended to assist in comparing the relative shock-absorbing properties of various materials. No particular material is recommended over another. However, each material is only effective when properly maintained. Materials should be checked periodically and replenished to maintain correct depth as determined necessary for your equipment. The choice of a material depends on the type and height of the playground equipment, the availability of the material in your area, and its cost.

¹¹This information has been extracted from the CPSC publications "Playground Surfacing — Technical Information Guide" and "Handbook for Public Playground Safety." Copies of these reports can be obtained by sending a postcard to: Office of Public Affairs, U.S. Consumer Product Safety Commission, Washington, D.C., 20207 or call the toll-free hotline: 1-800-638-2772.

The American Society for Testing and Materials takes no position respecting the validity of any parent right asserted in connection with any item mentioned in this standard. Users of this standard are expressly advised that determination of the validity of any such parent rights, and the risk of infringement of such rights, are entirely their own responsibility.

The standard is subject to revision at any time by the responsible technical committee and must be reviewed every five years and if not revised, either approved or withdrawn. Your comments are invited either for revision of this standard or for additional standards and should be addressed to ASTM Headquarters. Your comments will receive careful consideration at a meeting of the responsible technical committee, which you may attend. If you feel that your comments have not received a fair hearing you should make your views known to the ASTM Committee on Standards, 100 Barr Harbor Drive, West Conshohocken, PA 19428.

Play Set Assembly Manual FAQs:

1. Does the area for the playset need to be level?

Yes. Backyard Discovery recommends the playset be positioned on a flat level area for maximum safety and durability. The stakes provided should be used to secure it firmly to the ground.

2. What size area is recommended for the playset?

Backyard Discovery recommends at least a 6' (six foot) perimeter around and above the playset for maximum safety.

3. What age range is appropriate for the playsets?

Backyard Discovery playsets are recommended for children ages 3 – 10 years.

4. Is the wood treated with chemicals?

Backyard Discovery uses 100% Chinese Cedar wood which is naturally bug resistant, decay and rot resistant. To help ensure your child's safety, our wood is completely chemical free and we do not use pressure-treated wood. The stain we use is a top coat using a water-based product that is for appearance only.

5. How often should the playset be stained?

Backyard Discovery recommends the playset be stained once each year. A water or oil based stain can be used at the customer's discretion.

6. Why does it seem that my swing set is developing cracks?

Wood is a natural material; no two pieces are exactly alike. Each piece has its own characteristics and personality and reacts differently to climate changes. When any wood product is exposed to the elements, it develops "wood checks". A check is the radial separation of the wood fibers running with the grain of the wood. These are caused by the varying temperature and moisture conditions. A check is not a crack – it does not affect the strength or durability of the wood or structural integrity of the play set.

7. Do Backyard Discovery playsets come with a warranty?

Yes. All Backyard Discovery products carry a 1-year replacement warranty on all parts for manufacturer's defect. Our wood carries a 5 year warranty on rot and decay as well. Please see warranty details for more information.

8. What is the best way to get started assembling the playset?

Backyard Discovery recommends taking all the parts out of the boxes and arranging them by part number before you begin any assembly. This will not only allow faster assembly, but will also identify any parts that may be missing or damaged so they can be replaced before assembly. If parts are missing or need replacement, go to

www.swingsetonline.com/support.aspx and follow the prompts to order them. Next, read the assembly manual and get the tools ready for the job as recommended in the manual. If the assembly manual is lost or misplaced a new one can be printed from Backyard Discovery's website: www.swingsetonline.com.

9. The playset seems to rock or sway too much. What's wrong?

Rocking is caused by uneven ground or obstructions such as rocks, roots, etc. under the ground rails. These should be removed and the ground underneath re-leveled to prevent rocking. Also ensure the playset is securely staked to the ground using the stakes provided.

10. The 2"x4" boards do not measure 2"x 4". Why not?

In the U.S. it is common practice to describe lumber dimensions using the rough cut sizes from the sawmill and not the finished dimensions. Retailers, home stores, etc. all use this accepted practice for describing lumber dimensions. However, Backyard Discovery playsets are designed and constructed using the actual dimensions so everything fits properly and remains so during the life of the playset.

11. The end beam is not straight up and down. Why not?

This is normal. Backyard Discovery designs playsets this way to ensure the strongest structure possible. The slight angle adds strength and reduces rocking and twisting.

12. The S-hooks for the swings won't close. What is wrong?

Backyard Discovery recommends placing them on a hard surface such as concrete (don't do this on anything that will dent such as metal or finished wood or glass which will break!). It will take quite a few strokes, but the hooks will close.

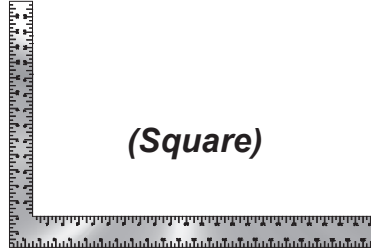
For more information and frequently asked questions, please refer to our website at www.swingsetonline.com.

Tools Required for Installation:

(These are the tools that are generally required for assembly of our outdoor products. These tools are not included with the outdoor product purchase.)



(Level 24")



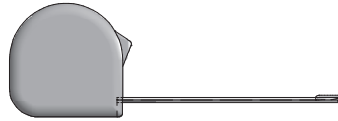
(Square)



(Open End Wrenches 1/2")



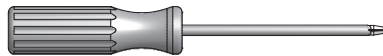
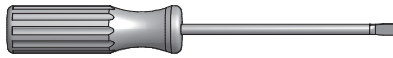
(Ladder)



(Tape Measure)



(Rubber Mallet - Optional)



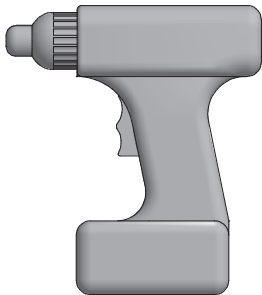
(Phillips & Straight Blade Screw Drivers)



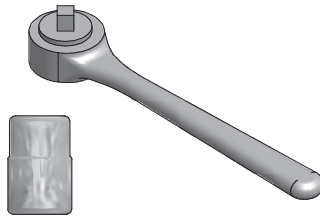
(Claw Hammer)



(Drill Attachments: Phillips Head & Socket Driver)



(Cordless Drill or Electric Drill)



(3/8" Drive Ratchet, 1/2" STD Sockets 1/2" Deep Sockets)



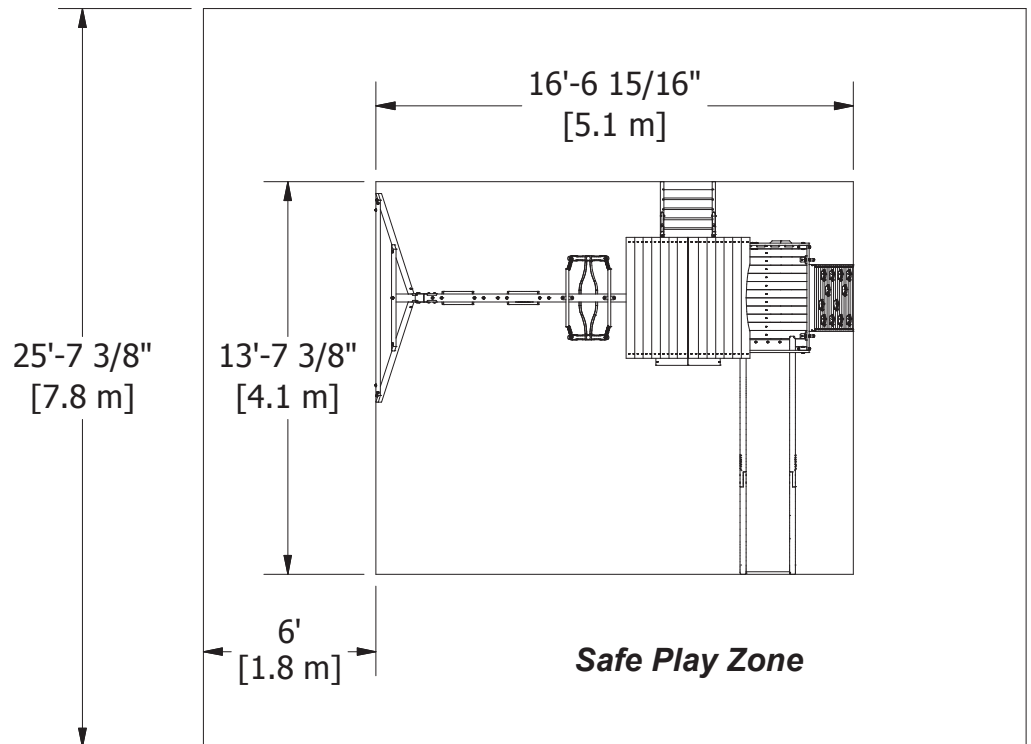
(An Adult w/ an Adult Helper)



(1/8" & 3/8" Drill Bits)

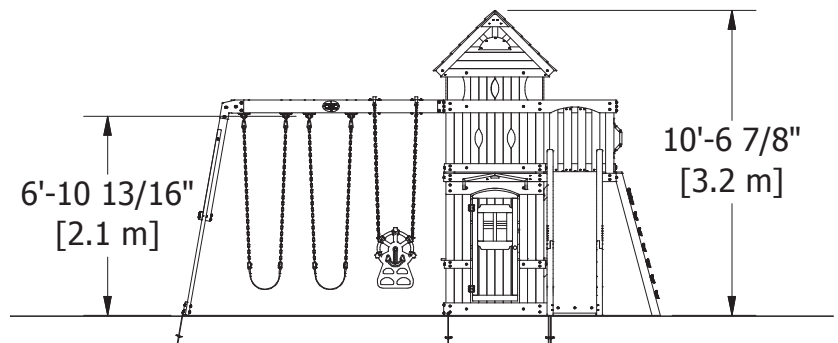
Basic Setup Dimensions

Place the set on level ground, not less than 6 ft [2 m] from any structure or obstruction such as a fence, garage, house, overhanging branches, laundry lines, or electrical wires.



General Information:

Your set has been designed and engineered for children only and for residential use only. A maximum of 150 lbs. per child is recommended for play activities designed for individual use. A maximum of 120 lbs. per child is recommended for play activities designed for multiple child use. A maximum of 9 children is recommended for this swing set.



Safe play height: 16'-6 1/8" [3.2 m]
Maximum fall height: 6'-10 13/16" [2.1 m]

Important Assembly Notes

- 1) While assembling unit, take time before and after each phase to make sure fort is level. If fort is not level, assembly will be difficult and improper assembly may result. Extra care must be taken to insure the fort is square.
- 2) Tighten bolts securely, tighten nuts on bolts flush to the tube or member, and place caps over exposed bolts snug to the nut.
- 3) Pay close attention to the **ITEMS NEEDED FOR EACH PHASE**. They can be a valuable aid when sorting your wood and hardware. Assembly will be made easier if items are sorted by phase.
- 4) Pay close attention to make sure you are using the correct hardware in the correct phases. Using incorrect hardware may result in improper assembly.
- 5) Whenever a T-nut is used, follow these directions. Place T-nut in pre-drilled hole. Tap in with hammer. Place bolt with washers in the opposite side. Hand tighten to make sure the bolt is in the T-nut. **DO NOT** over tighten.
- 6) Read the steps of each phase thoroughly. The written steps may include important information not shown in the illustrations.

Parts Identification

Wood Components

(NOT TO SCALE)



- (1) **A50 - SWING BEAM - W102416**
3 3/8"x5 1/4"x89 1/2" (86x134x2274)



- (2) **E1 - FORT UPRIGHT - W102432**
1 3/8"x3 3/8"x89 5/8" (36x86x2275)



- (2) **E2 - FORT UPRIGHT - W102433**
1 3/8"x3 3/8"x89 5/8" (36x86x2275)



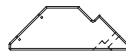
- (4) **E3 - DOUBLE ANGLE GUSSET - W102437**
1 3/8"x3 3/8"x15 7/8" (36x86x403)



- (1) **E4 - SUNDECK UPRIGHT - W102497**
1 3/8"x3 3/8"x33 7/8" (36x86x861)



- (1) **E5 - SUNDECK UPRIGHT - W102498**
1 3/8"x3 3/8"x33 7/8" (36x86x861)



- (2) **E6 - TABLE TOP GUSSET - W102511**
1 3/8"x3 3/8"x9 3/8" (36x86x237.5)



- (1) **E7 - LEFT LADDER RAIL - W102584**
1 3/8"x3 3/8"x64 3/8" (36x86x1634)



- (1) **E8 - RIGHT LADDER RAIL - W102585**
1 3/8"x3 3/8"x64 3/8" (36x86x1634)



- (1) **E50 - END SUPPORT - W100949**
1 3/8"x3 3/8"x44 1/8" (36x86x1120)



- (2) **E51 - ANGLE BRACE - W100948**
1 3/8"x3 3/8"x88 3/4" (36x86x2254)



- (1) **E72 - LEFT RAIL - W100036**
1 3/8"x3 3/8"x61 3/4" (36x86x1570)



- (1) **E73 - RIGHT RAIL - W100037**
1 3/8"x3 3/8"x61 3/4" (36x86x1570)

Parts Identification

Wood Components

(NOT TO SCALE)



- (1) **G1 - SIDE ARCH WALL RAIL - W102436**
1"x5 1/4"x71 7/8" (24x134x1825)



- (2) **G2 - GROUND BOARD - W102438**
1"x5 1/4"x43 3/4" (24x134x1110)



- (1) **G3 - WALL RAIL - W102441**
1"x5 1/4"x43 3/4" (24x134x1110)



- (1) **G4 - GROUND BOARD - W102450**
1"x5 1/4"x63 3/8" (24x134x1609)



- (1) **G5 - SIDE ARCH WALL RAIL - W102452**
1"x5 1/4"x71 7/8" (24x134x1825)



- (1) **G6 - GROUND BOARD - W102453**
1"x5 1/4"x63 3/8" (24x134x1609)



- (1) **G7 - CENTER ARCH WALL RAIL - W102456**
1"x5 1/4"x40 7/8" (24x134x1037)



- (1) **G8 - CENTER ARCH WALL RAIL - W102504**
1"x5 1/4"x43 3/4" (24x134x1110)



- (1) **G9 - TABLE TOP BOARD - W102508**
1"x5 1/4"x43 3/4" (24x134x1110)



- (1) **G10 - TABLE TOP BOARD - W102509**
1"x5 1/4"x43 3/4" (24x134x1110)



- (2) **G11 - WALL RAIL - W102542**
1"x5 1/4"x11 5/8" (24x134x296)

Parts Identification

Wood Components

(NOT TO SCALE)



- (1) **G12 - OVERHANG BOARD - W102586**
1"x5 1/4"x13 3/4" (24x134x350)



- (1) **G13 - OVERHANG BOARD - W102587**
1"x5 1/4"x13 3/4" (24x134x350)



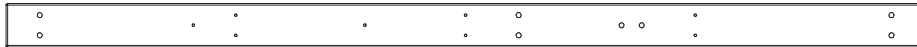
- (1) **G14 - OVERHANG BOARD - W102588**
1"x5 1/4"x3 1/2" (24x134x90)



- (1) **G15 - OVERHANG BOARD - W102589**
1"x5 1/4"x3 1/2" (24x134x90)



- (1) **G50 - GROUND BOARD - W100947**
1"x5 1/4"x86 3/4" (24x134x2202)



- (1) **H1 - FLOOR SUPPORT - W102434**
1"x3 3/8"x71 7/8" (24x86x1825)



- (1) **H2 - FLOOR SUPPORT - W102439**
1"x3 3/8"x43 3/4" (24x86x1110)



- (3) **H3 - FLOOR JOIST - W102448**
1"x3 3/8"x43 5/8" (24x86x1108)



- (1) **H4 - FLOOR SUPPORT - W102451**
1"x3 3/8"x71 7/8" (24x86x1825)



- (1) **H5 - WALL SLAT - W102454**
1"x3 3/8"x55 5/8" (24x86x1414)



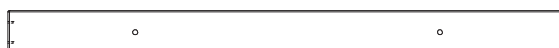
- (2) **H6 - BENCH SUPPORT - W102500**
1"x3 3/8"x14 1/8" (24x86x360)



- (2) **H7 - BENCH SUPPORT - W102501**
1"x3 3/8"x8 5/8" (24x86x220)



- (1) **H8 - WALL RAIL - W102507**
1"x3 3/8"x43 3/4" (24x86x1110)



- (1) **H9 - ROOF SUPPORT - W102543**
1"x3 3/8"x43 3/4" (24x86x1110)

Parts Identification

Wood Components

(NOT TO SCALE)



- (2) **H10 - ROOF SUPPORT - W102545**
1"x3 3/8"x45 1/2" (24x86x1157)



- (4) **H11 - ROOF TRUSS - W102546**
1"x3 3/8"x35" (24x86x890)



- (1) **H12 - WALL RAIL - W102558**
1"x3 3/8"x43 3/4" (24x86x1110)



- (5) **H13 - LADDER RUNG - W102583**
1"x3 3/8"x21 1/8" (24x86x536)



- (1) **H14 - DOOR STOP - W102590**
1"x3 3/8"x4 7/8" (24x86x125)



- (1) **H15 - OVERHANG CLEAT - W102627**
1"x3 3/8"x5 1/4" (24x86x134)



- (1) **H16 - WALL SLAT - W102628**
1"x3 3/8"x55 5/8" (24x86x1414)



- (2) **K1 - MENDING PLATE - W102556**
5/8"x5 1/4"x11 3/8" (16x134x290)



- (2) **K2 - SUNBURST CENTER PIECE - W102557**
5/8"x5 1/4"x13 3/8" (16x134x340)



- (1) **M1 - WALL RAIL - W102435**
5/8"x3 3/8"x42 1/8" (16x86x1069)



- (1) **M2 - WALL RAIL - W102440**
5/8"x3 3/8"x43 3/4" (16x86x1110)



- (2) **M3 - WALL RAIL - W102442**
5/8"x3 3/8"x10 7/8" (16x86x276)



- (1) **M4 - WALL RAIL - W102443**
5/8"x3 3/8"x43 3/4" (16x86x1110)



- (32) **M5 - LOWER ENCLOSURE SLAT - W102444**
5/8"x3 3/8"x23" (16x86x583)



- (12) **M6 - FLOOR BOARD - W102445**
5/8"x3 3/8"x71 7/8" (16x86x1825)



- (1) **M7 - WALL RAIL - W102449**
5/8"x3 3/8"x42 1/8" (16x86x1069)

Parts Identification

Wood Components

(NOT TO SCALE)



- (2) **M8 - WALL SLAT - W102455**
5/8"x3 3/8"x55 5/8" (16x86x1414)



- (1) **M9 - WALL RAIL - W102457**
5/8"x3 3/8"x40" (16x86x1016)



- (4) **M10 - ARCH WALL SLAT - W102458**
5/8"x3 3/8"x42 7/8" (16x86x1090)



- (4) **M11 - ARCH WALL SLAT - W102459**
5/8"x3 3/8"x42 7/8" (16x86x1090)



- (6) **M12 - ARCH WALL SLAT - W102460**
5/8"x3 3/8"x42 7/8" (16x86x1090)



- (16) **M13 - WALL SLAT - W102461**
5/8"x3 3/8"x27" (16x86x685)



- (2) **M14 - WALL SLAT - W102499**
5/8"x3 3/8"x42 7/8" (16x86x1090)



- (1) **M15 - BENCH CLEAT - W102503**
5/8"x3 3/8"x7 7/8" (16x86x200)



- (2) **M16 - WALL SLAT - W102505**
5/8"x3 3/8"x28 1/8" (16x86x715)



- (2) **M17 - WALL RAIL - W102506**
5/8"x3 3/8"x7 5/8" (16x86x195)



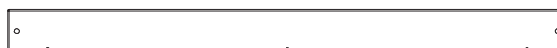
- (1) **M18 - TABLE TOP CLEAT - W102510**
5/8"x3 3/8"x6 1/4" (16x86x160)



- (1) **M19 - LADDER WALL CAP - W102512**
5/8"x3 3/8"x34" (16x86x863)



- (1) **M20 - SWING WALL CAP - W102513**
5/8"x3 3/8"x40 7/8" (16x86x1038)



- (1) **M21 - WALL RAIL - W102514**
5/8"x3 3/8"x43 3/4" (16x86x1110)

Parts Identification

Wood Components

(NOT TO SCALE)



- (2) **M22 - LOWER ENCLOSURE SLAT - W102515**
5/8"x3 3/8"x23" (16x86x583)



- (2) **M23 - ARCH WALL SLAT - W102625**
5/8"x3 3/8"x42 7/8" (16x86x1090)



- (1) **M24 - WALL RAIL - W102626**
5/8"x3 3/8"x10 7/8" (16x86x276)



- (4) **M25 - UPPER SLAT - W102518**
5/8"x3 3/8"x15" (16x86x380)



- (2) **M26 - UPPER ARCHED SLAT - W102519**
5/8"x3 3/8"x15" (16x86x380)



- (2) **M27 - WALL RAIL - W102520**
5/8"x3 3/8"x11 5/8" (16x86x296)



- (2) **M28 - DOUBLE ARCH WALL SLAT - W102541**
5/8"x3 3/8"x42 7/8" (16x86x1090)



- (2) **M29 - GABLE BOARD - W102551**
5/8"x3 3/8"x45 1/2" (16x86x1157)



- (2) **M30 - GABLE BOARD - W102552**
5/8"x3 3/8"x38 3/4" (16x86x985)



- (1) **M31 - REAR SUPPORT - W102582**
5/8"x3 3/8"x22 7/8" (16x86x582)



- (1) **M70 - SLIDE BED SUPPORT - W100935**
5/8"x3 3/8"x19 7/8" (16x86x505)



- (10) **M74 - ROCK WALL BOARD - W100987**
5/8"x3 3/8"x26 5/8" (16x86x675)



- (4) **M75 - ROCK WALL BOARD - W100988**
5/8"x3 3/8"x26 5/8" (16x86x675)



- (4) **M76 - ROCK WALL BOARD - W100989**
5/8"x3 3/8"x26 5/8" (16x86x675)

Parts Identification

Wood Components

(NOT TO SCALE)



- (2) **N1 - FLOOR BOARD - W102446**
5/8"x2 3/8"x34" (16x60x864)



- (2) **N2 - FLOOR BOARD - W102447**
5/8"x2 3/8"x25 3/4" (16x60x653)



- (1) **N3 - ROOF BRACE - W102549**
5/8"x2 3/8"x32 5/8" (16x60x830)



- (1) **N4 - ROOF BRACE - W102550**
5/8"x2 3/8"x34 1/4" (16x60x870)



- (2) **N5 - GABLE BOARD - W102553**
5/8"x2 3/8"x32" (16x60x813)



- (4) **N6 - SUNBURST BOARD - W102554**
5/8"x2 3/8"x7 1/2" (16x60x190)



- (2) **N7 - VERTICAL SUNBURST BOARD - W102555**
5/8"x2 3/8"x12 1/4" (16x60x310)



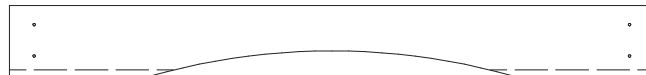
- (1) **N71 - ROCK WALL END BOARD - W100490**
5/8"x2 3/8"x27 7/8" (16x60x707)



- (2) **Q1 - BENCH BOARD - W102502**
1"x4 3/8"x47 1/2" (24x112x1205)



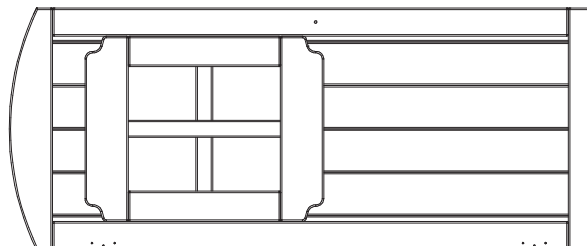
- (13) **R1 - ROOF SLAT - W102547**
3/4"x5 1/2"x50 3/8" (18x140x1280)



- (1) **R2 - ARCHED ROOF SLAT - W102548**
3/4"x5 1/2"x50 3/8" (18x140x1280)



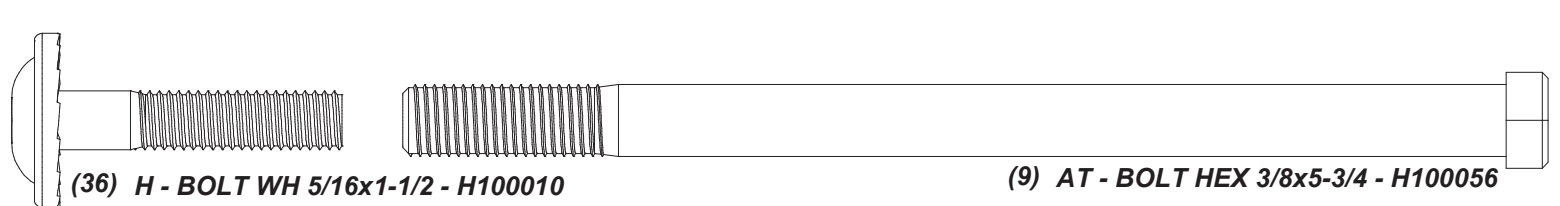
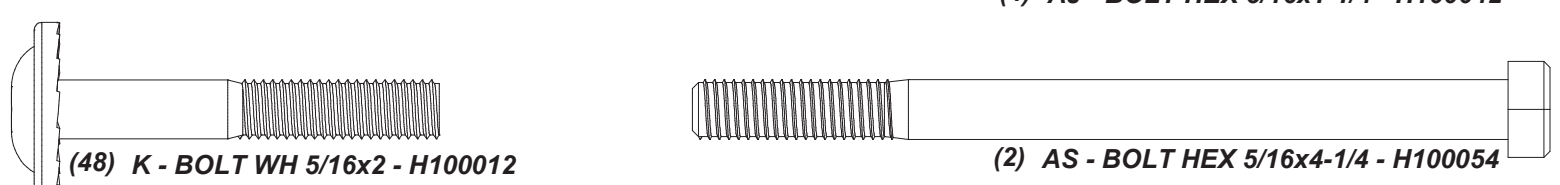
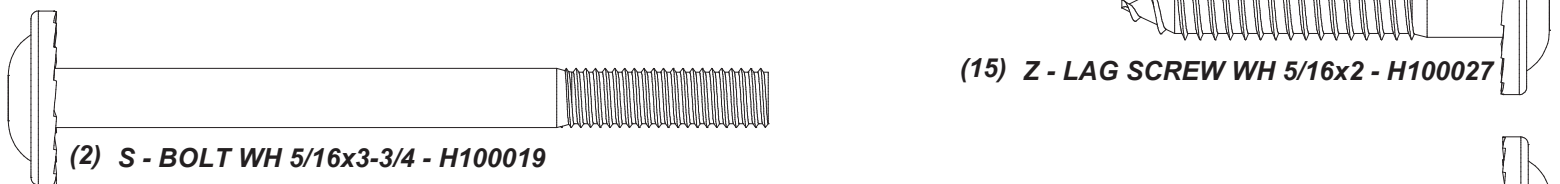
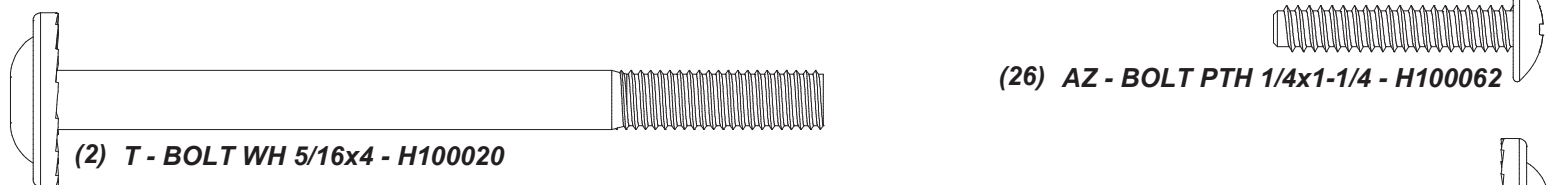
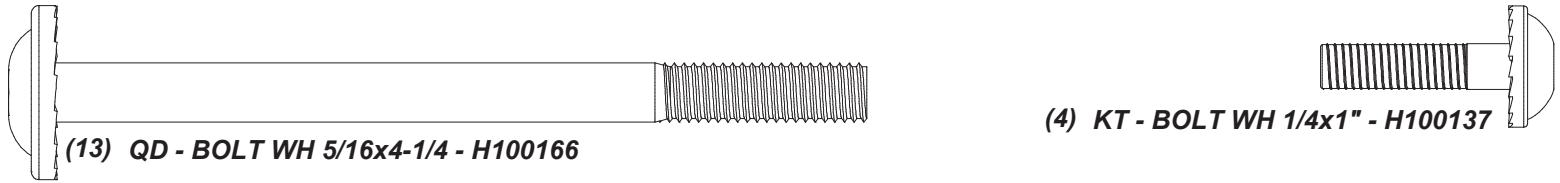
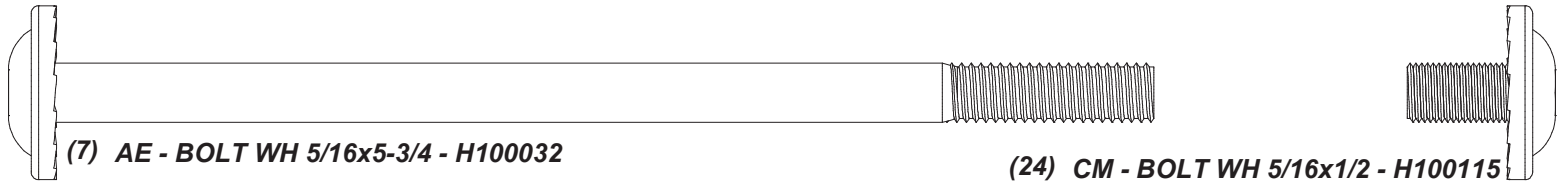
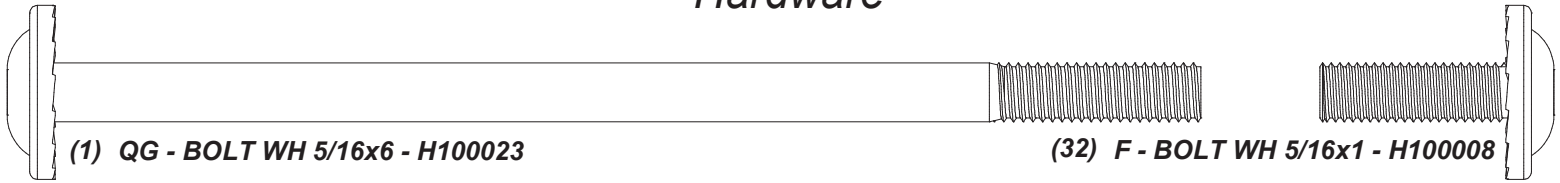
- (1) **SP50 - SWING BEAM SUPPORT - W102417**
3 3/8"x3 3/8"x49 3/8" (86x86x1254)



- (1) **WP1 - CABIN DOOR - W102580**

Parts Identification

Hardware



Parts Identification

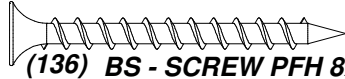
Hardware



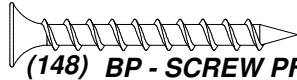
(44) **BW - SCREW PFH 8x3 - H100092**



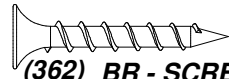
(48) **CK - SCREW PFH 8x2 - H100111**



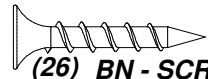
(136) **BS - SCREW PFH 8x1-3/4" - H100089**



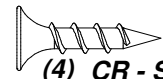
(148) **BP - SCREW PFH 8x1-1/2" - H100086**



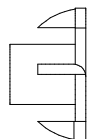
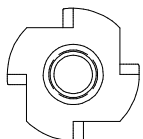
(362) **BR - SCREW PFH 8x1-1/8" - H100088**



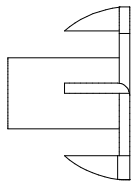
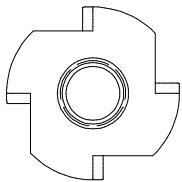
(26) **BN - SCREW PFH 8x1" - H100085**



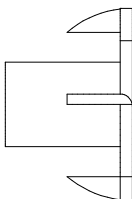
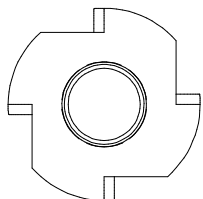
(4) **CR - SCREW PFH 8x3/4 - H100121**



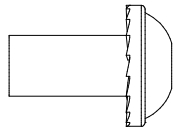
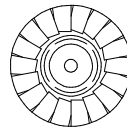
(26) **BE - T-NUT 1/4 - H100072**



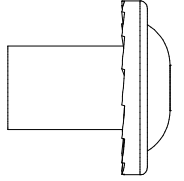
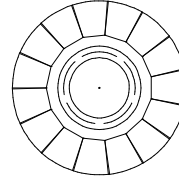
(22) **BG - T-NUT 5/16 - H100074**



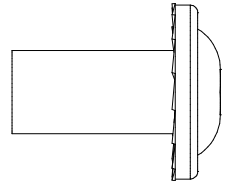
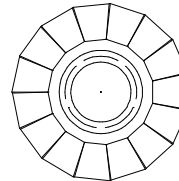
(9) **BF - T-NUT 3/8 - H100073**



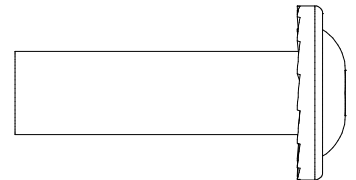
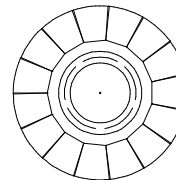
(4) **KS - NUT BARREL WH 1/4x5/8" - H100136**



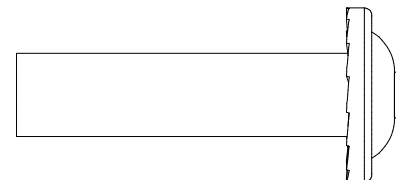
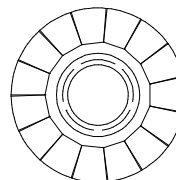
(22) **B - NUT BARREL WH 5/16x5/8 - H100004**



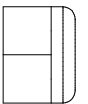
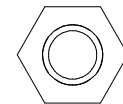
(115) **D - NUT BARREL WH 5/16x7/8 - H100005**



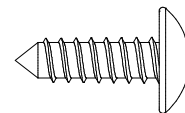
(11) **C - NUT BARREL WH 5/16x1-1/2 - H100006**



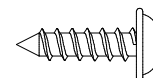
(13) **E - NUT BARREL WH 5/16x1-3/4 - H100007**



(13) **CJ - NUT LOCK 5/16 - H100110**



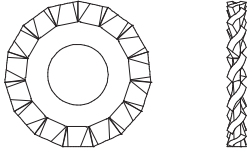
(7) **BL - SCREW TAPPING 14x3/4 - H100083**



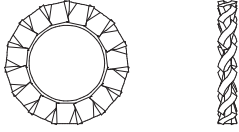
(2) **CY - SCREW PWH 8x5/8 - H100128**

Parts Identification

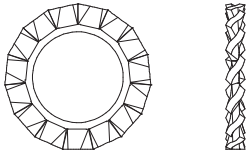
Hardware



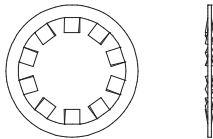
(179) AC - WASHER LOCK EXT 8x19 - H100030



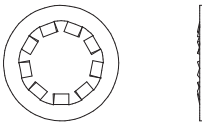
(4) KW - WASHER LOCK EXT 8x15 - H100139



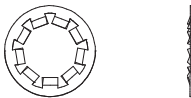
(149) AD - WASHER LOCK EXT 12x19 - H100031



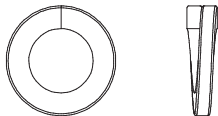
(9) CF - WASHER LOCK INT 10x18 - H100107



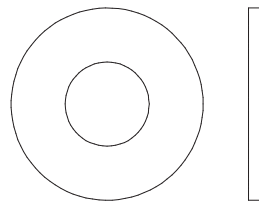
(26) CG - WASHER LOCK INT 8x15 - H100108



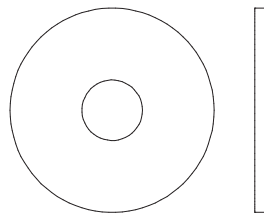
(2) MC - WASHER LOCK INT 7x12 - H100157



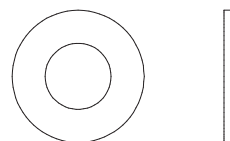
(7) BX - WASHER SPLIT 5/16 - H100095



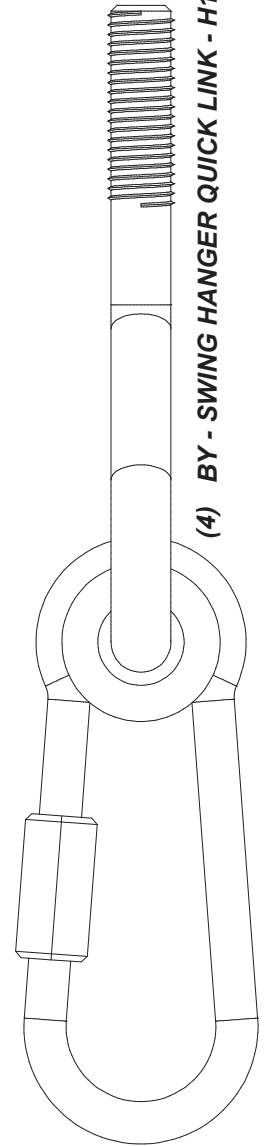
(9) CA - WASHER FLAT 11x25 - H100102



(22) CD - WASHER FLAT 8x27 - H100105



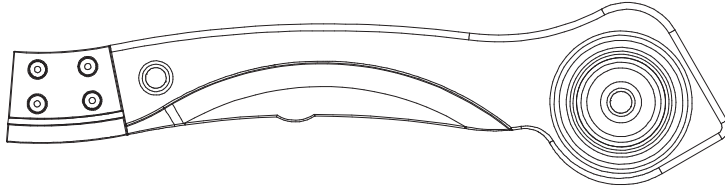
(7) CE - WASHER FLAT 9x18 - H100106



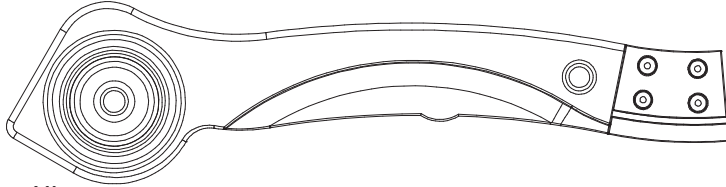
(4) BY - SWING HANGER QUICK LINK - H100097

Parts Identification

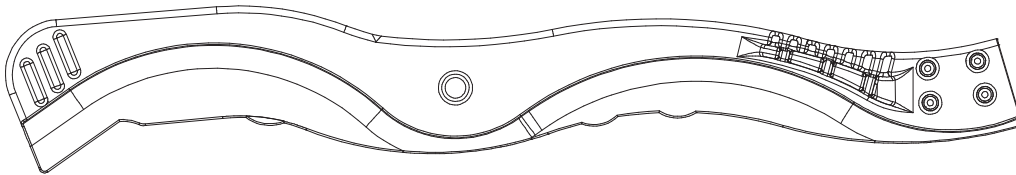
Accessories (NOT TO SCALE)



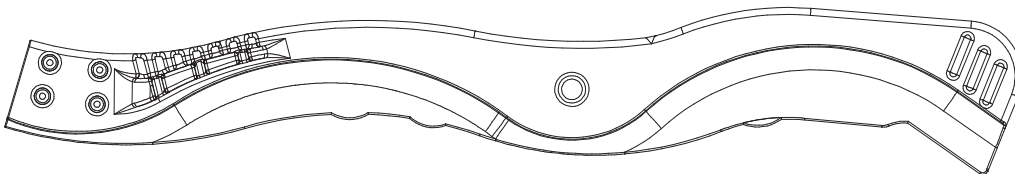
(1) DR - SLIDE RAIL 10' BOTTOM LEFT GREEN - A100030



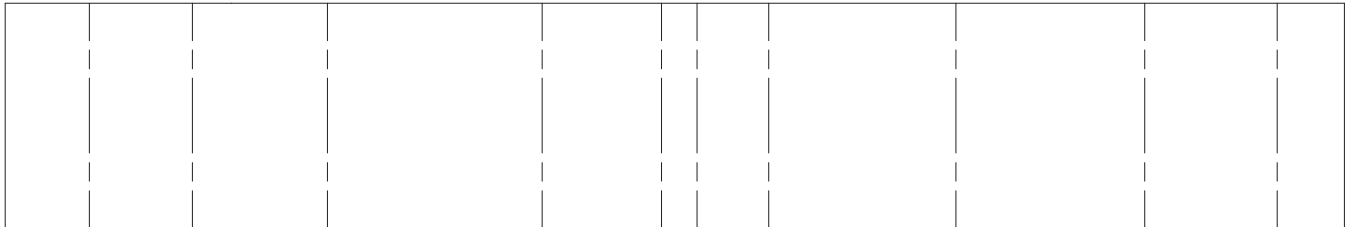
(1) DS - SLIDE RAIL 10' BOTTOM RIGHT GREEN - A100031



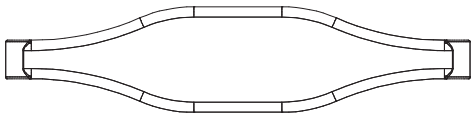
(1) DT - SLIDE RAIL 10' TOP LEFT GREEN - A100032



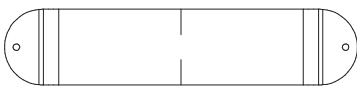
(1) TR - SLIDE RAIL 10' TOP RIGHT GREEN - A100033



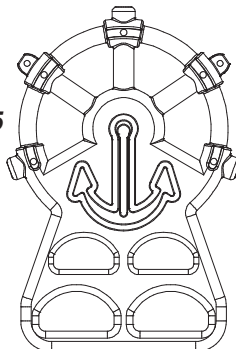
(1) DX - SLIDE BED 10' LIGHT GREEN - A100035



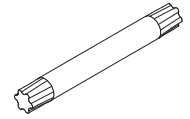
(1) DN - GLIDER SEAT DARK GREEN - A100025



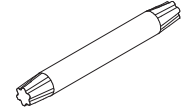
(2) DP - SWING SEAT GREEN - A100027



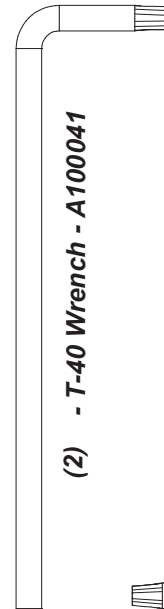
(2) DO - CAPTAINS GLIDER ARM YELLOW - A100026



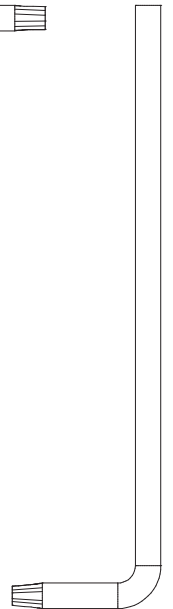
(2) - T-40 Torx Driver - A100042



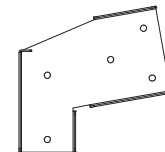
(2) - T-30 Torx Driver - A100147



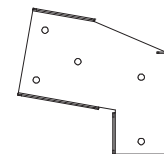
(2) - T-40 Wrench - A100041



(2) - T-30 Wrench - H100114



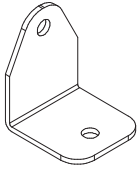
(1) TB - SWING BEAM EXTENSION BRACKET - A100325



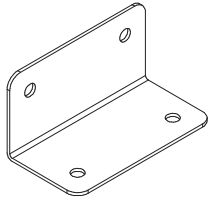
(1) TC - SWING BEAM EXTENSION BRACKET - A100326

Parts Identification

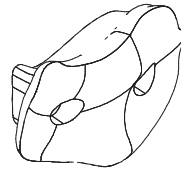
Accessories (NOT TO SCALE)



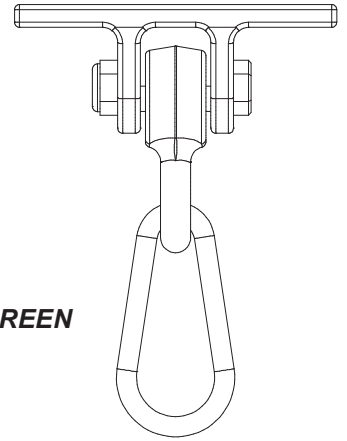
(5) EJ - L BRACKET 54x67
-A100053



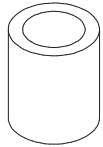
(2) GD - L BRACKET 66x66x127
-A100140



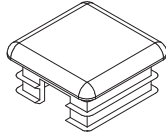
(12) EV - CLIMBING ROCK - GREEN
-A100064



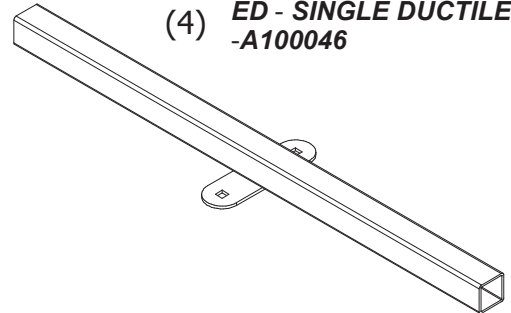
(4) ED - SINGLE DUCTILE HANGER
-A100046



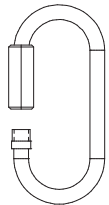
(4) EX - GLIDER BUSHING BYD GREEN
-A100066



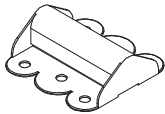
(4) EY - TUBING CAP GLIDER SUPPORT
-A100067



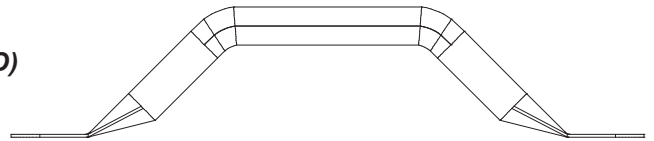
(2) EW - GLIDER SUPPORT BYD GREEN - A100065



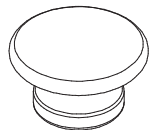
(8) FA - QUICK LINK - A100069



(2) TD - HINGE (DOOR, SPRING LOADED)
-A100327



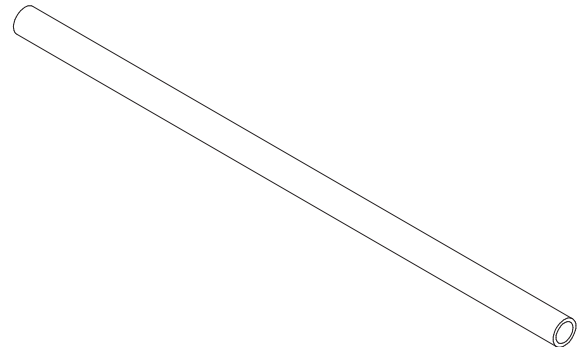
(4) FX - HAND GRIP METAL GREEN 381 c/c - A100118



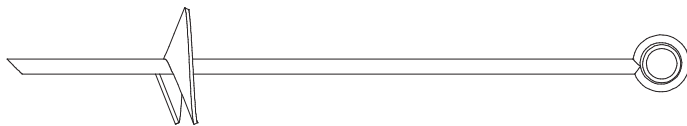
(1) HZ - KNOB - A100071



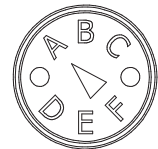
(1) EH - LTP ID TAG - A100051



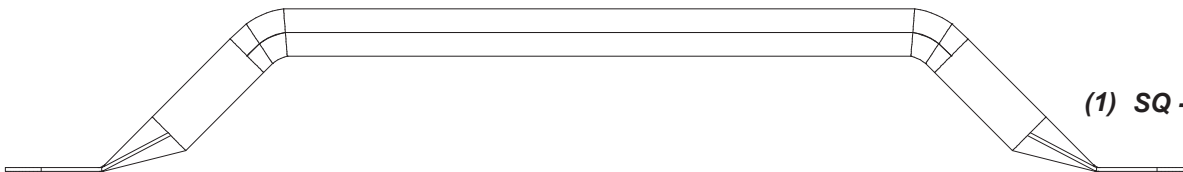
(4) DW - SLIDE SUPPORT TUBE 21.34x505 - A100034



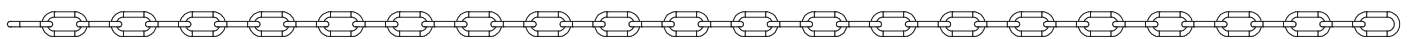
(6) KC - METAL GROUND STAKE BROWN - A100178



(1) SQ - "A" REVISION TAG - A100314



(2) TA - METAL LADDER RAIL - Y35-24.75G - A100324



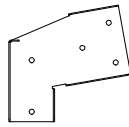
(4) EZ - CHAIN GREEN 51.25" - A100068



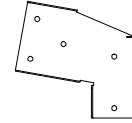
(4) EF - CHAIN GREEN 57" - A100047



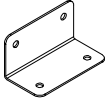
(1) **A50 - SWING BEAM - W102416**
 3 3/8"x5 1/4"x89 1/2" (86x134x2274)



(1) **TB - SWING BEAM EXTENSION BRACKET - A100325**



(1) **TC - SWING BEAM EXTENSION BRACKET - A100326**



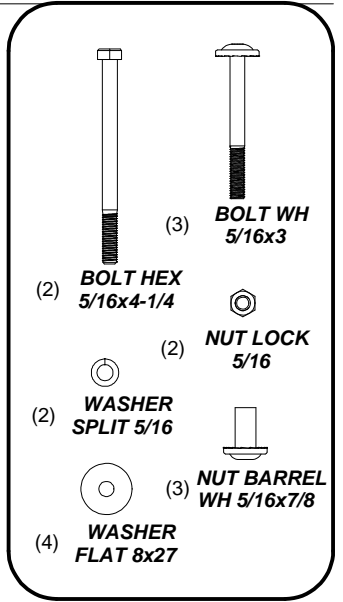
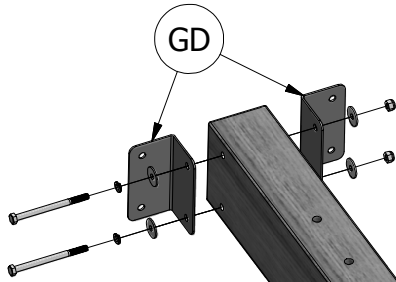
(2) **GD - L BRACKET 66x66x127 - A100140**

5 FT SWING BEAM EXTENDED

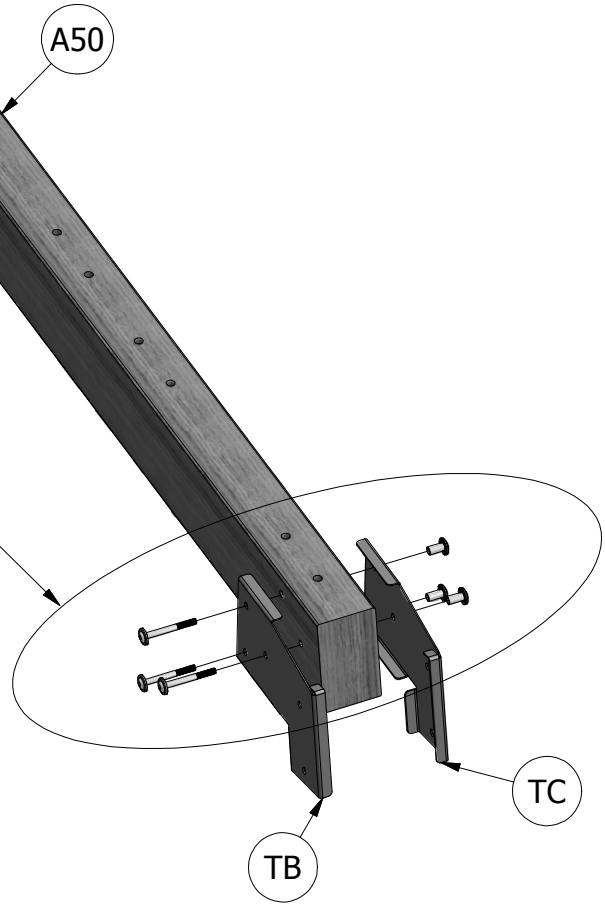
STEP 1

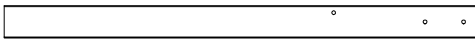
ATTACH L BRACKETS GD TO A50 SWING BEAM USING 4-1/4" BOLTS, SPLIT WASHERS, FLAT WASHERS AND 5/16" LOCK NUTS.

ATTACH EXTENSION BRACKETS TB AND TC TO A50 SWING BEAM USING 3" BOLTS AND 7/8" BARREL NUTS, AS SHOWN.

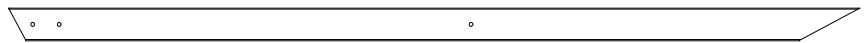


FINGER TIGHTEN ONLY AT THIS TIME.

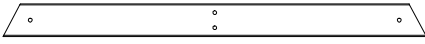




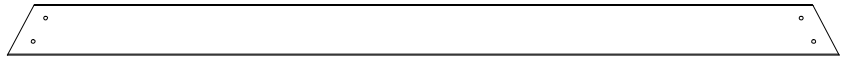
(1) **SP50 - SWING BEAM SUPPORT - W102417**
 3 3/8"x3 3/8"x49 3/8" (86x86x1254)



(2) **E51 - ANGLE BRACE - W100948**
 1 3/8"x3 3/8"x88 3/4" (36x86x2254)



(1) **E50 - END SUPPORT - W100949**
 1 3/8"x3 3/8"x44 1/8" (36x86x1120)



(1) **G50 - GROUND BOARD - W100947**
 1"x5 1/4"x86 3/4" (24x134x2202)

STEP 2

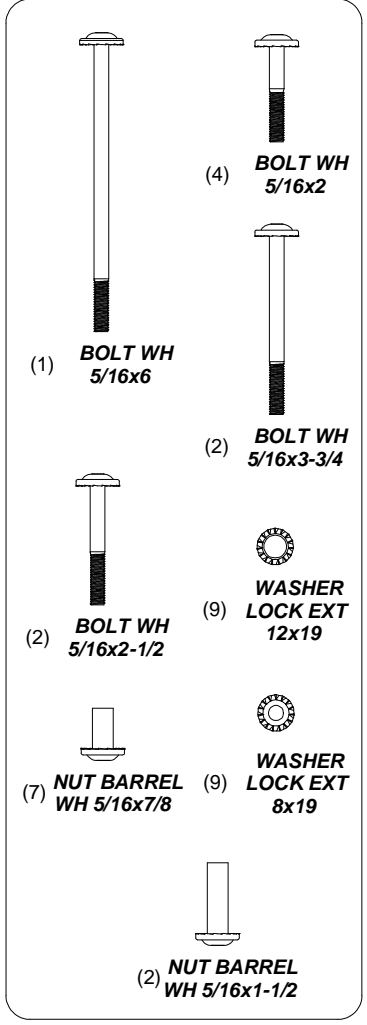
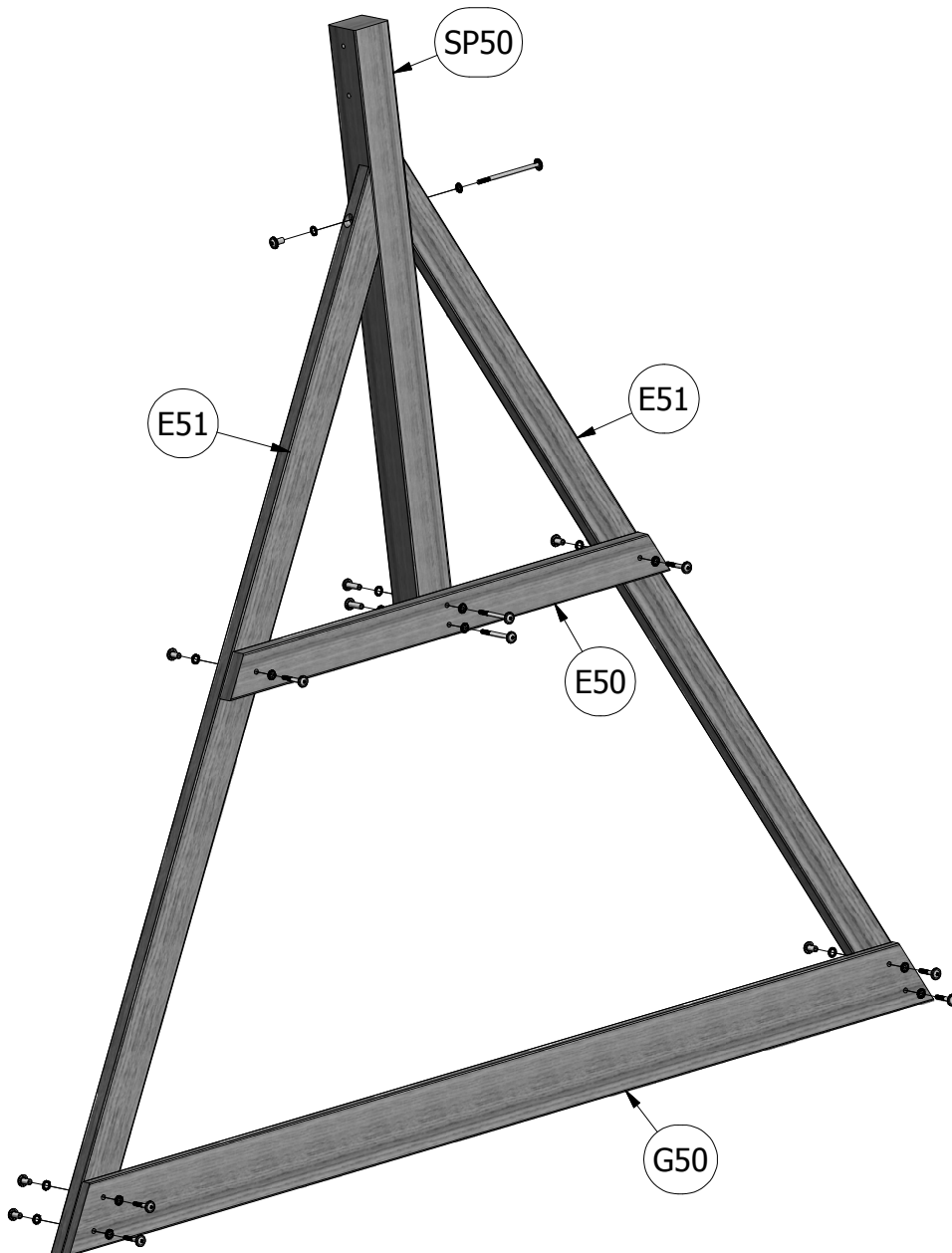
5 FT SWING BEAM EXTENDED

ATTACH G50 BOARD TO E51 BOARDS USING 2" BOLTS, LOCK WASHERS AND 7/8" BARREL NUTS.

ATTACH E51 BOARDS TO SP50 SUPPORT USING 6" BOLTS, LOCK WASHERS AND 7/8" BARREL NUTS.

ATTACH E50 BOARD TO E51 BOARDS USING 2-1/2" BOLTS, LOCK WASHERS AND 7/8" BARREL NUTS.

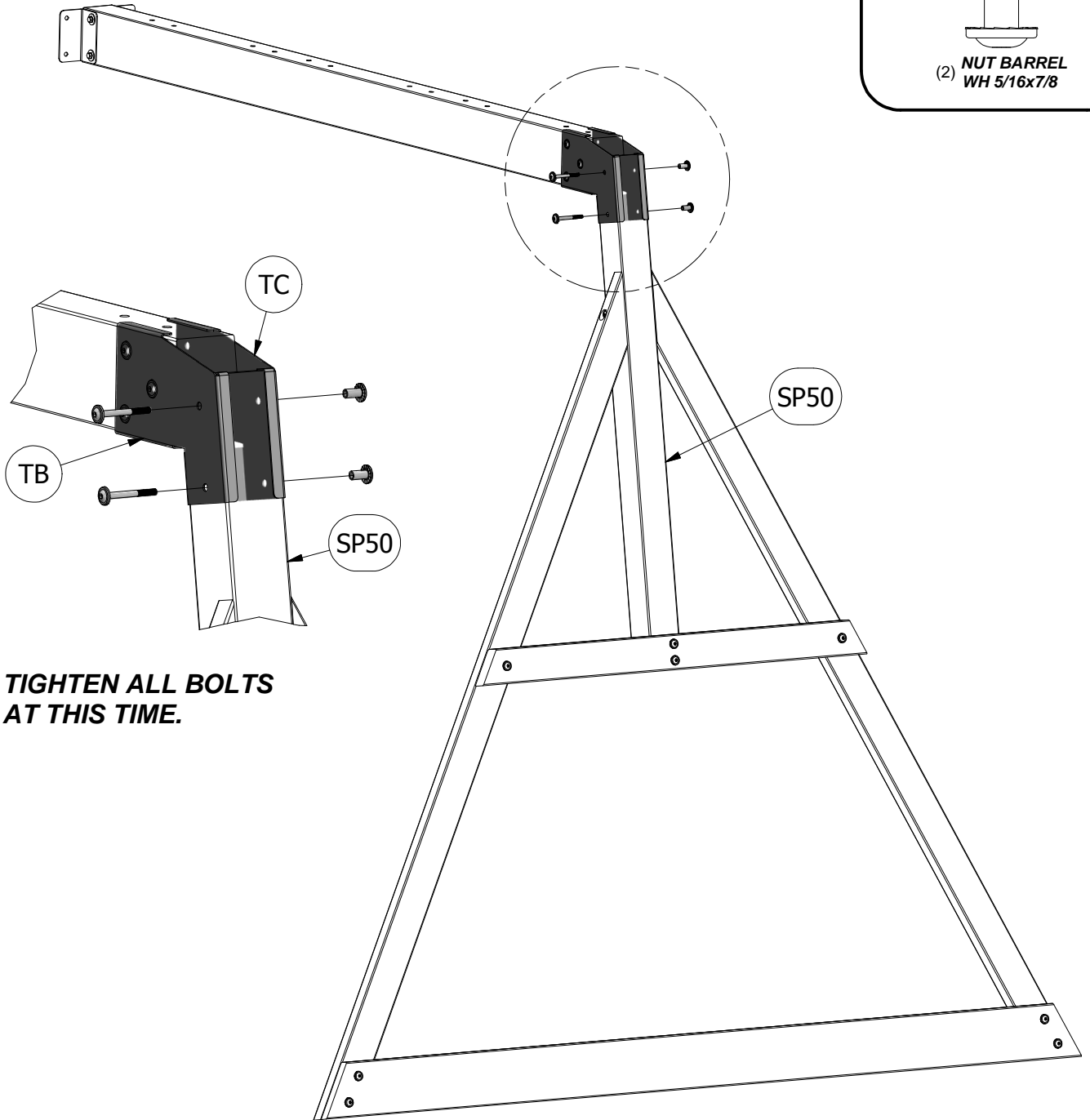
ATTACH E50 BOARD TO SP50 SUPPORT USING 3-3/4" BOLTS, LOCK WASHERS AND 1-1/2" BARREL NUTS.



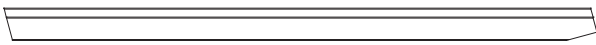
5 FT SWING BEAM EXTENDED

STEP 3

ATTACH SP50 TO TB AND TC EXTENSION BRACKETS USING 3" BOLTS AND 7/8" BARREL NUTS, AS SHOWN.



**TIGHTEN ALL BOLTS
AT THIS TIME.**



(1) E72 - LEFT RAIL - W100036
1 3/8"x3 3/8"x61 3/4" (36x86x1570)



(1) E73 - RIGHT RAIL - W100037
1 3/8"x3 3/8"x61 3/4" (36x86x1570)



(10) M74 - ROCK WALL BOARD - W100987
5/8"x3 3/8"x26 5/8" (16x86x675)



(4) M75 - ROCK WALL BOARD - W100988
5/8"x3 3/8"x26 5/8" (16x86x675)



(4) M76 - ROCK WALL BOARD - W100989
5/8"x3 3/8"x26 5/8" (16x86x675)

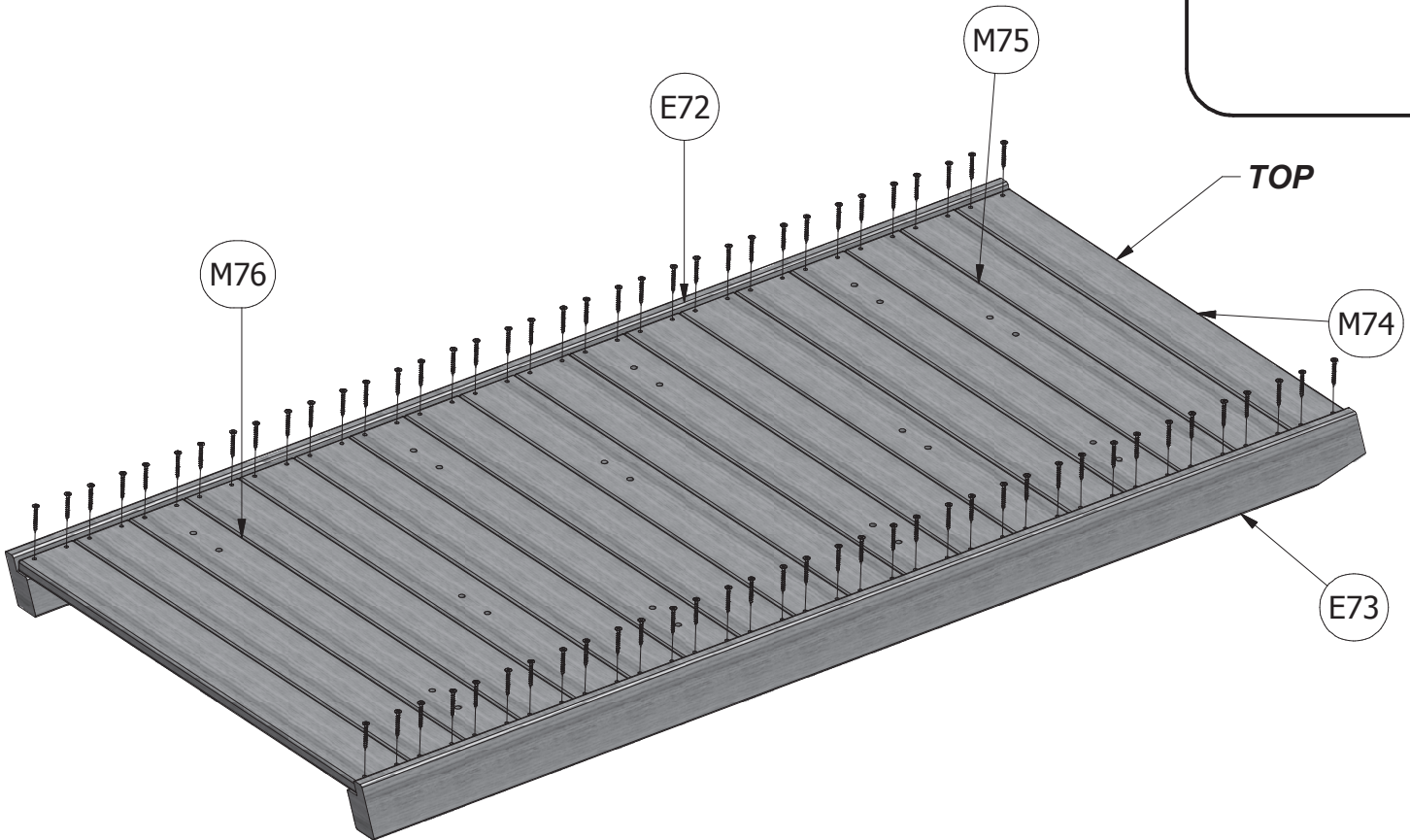
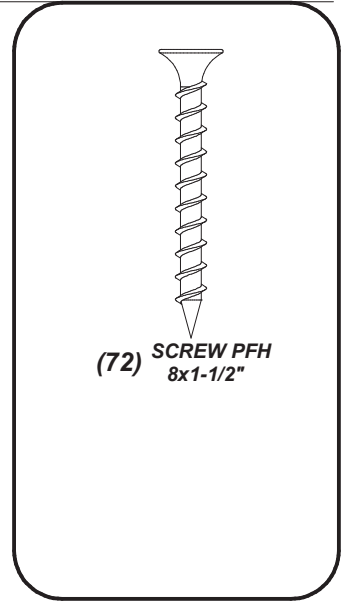
STEP 1

PLACE E72 & E73 RAILS ON THEIR SIDES SO THAT THE GROOVES FACE EACH OTHER.

NOTE ORIENTATION OF M74, M75, & M76 BOARDS IN DIAGRAM, PLACING THEM AS SHOWN ON E72 & E73 RAILS.

USING BOARDS AS A TEMPLATE, PRE-DRILL EDGES OF RAILS USING 1/8" DRILL BIT. FAILURE TO PRE-DRILL MAY RESULT IN BOARD SPLITTING.

ATTACH TOP M74 BOARD FIRST AND WORK DOWN USING 1 1/2" SCREWS.



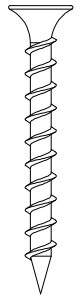


- (1) **N71 - ROCK WALL END BOARD - W100490**
5/8"x2 3/8"x27 7/8" (16x60x707)

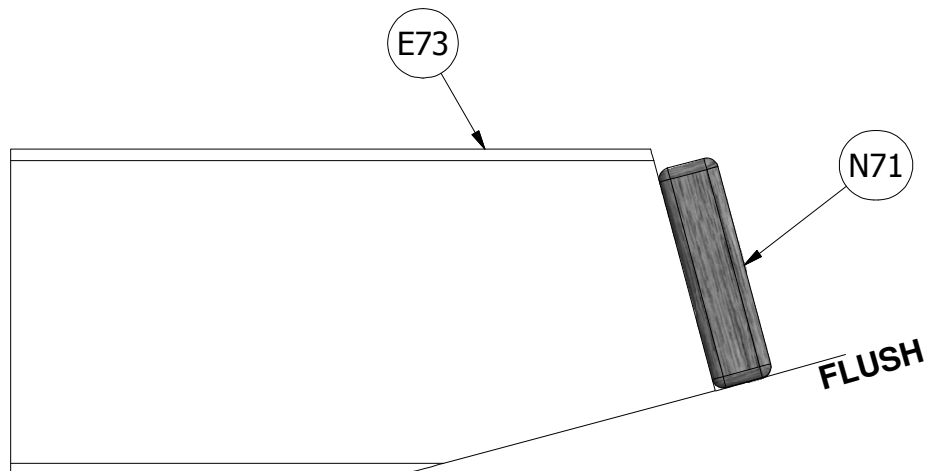
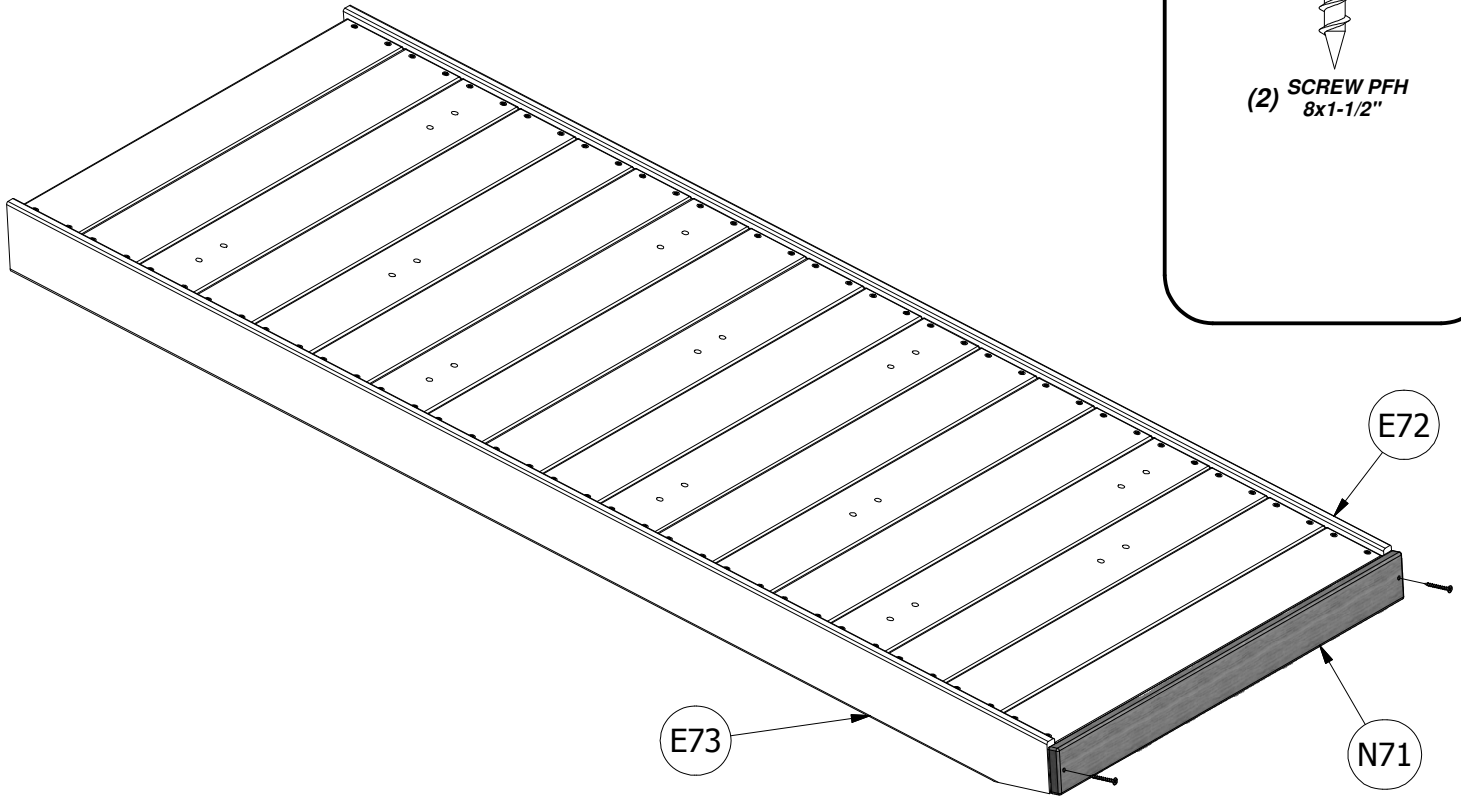
STEP 2

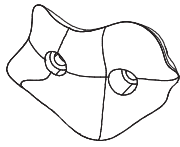
USING N71 AS A GUIDE, PRE-DRILL TOP EDGE OF RAILS WITH 1/8" DRILL BIT. FAILURE TO PRE-DRILL MAY RESULT IN BOARD SPLITTING.

ATTACH N71 ROCK WALL END BOARD TO E72 & E73 RAILS USING 1 1/2" SCREWS.



- (2) **SCREW PFH**
8x1-1/2"





(12) EV - CLIMBING ROCK - GREEN - A100064

STEP 3

ATTACH EV ROCKS TO BOARDS USING 1/4"X1 1/4" BOLTS, LOCK WASHERS, AND 1/4" T-NUTS.



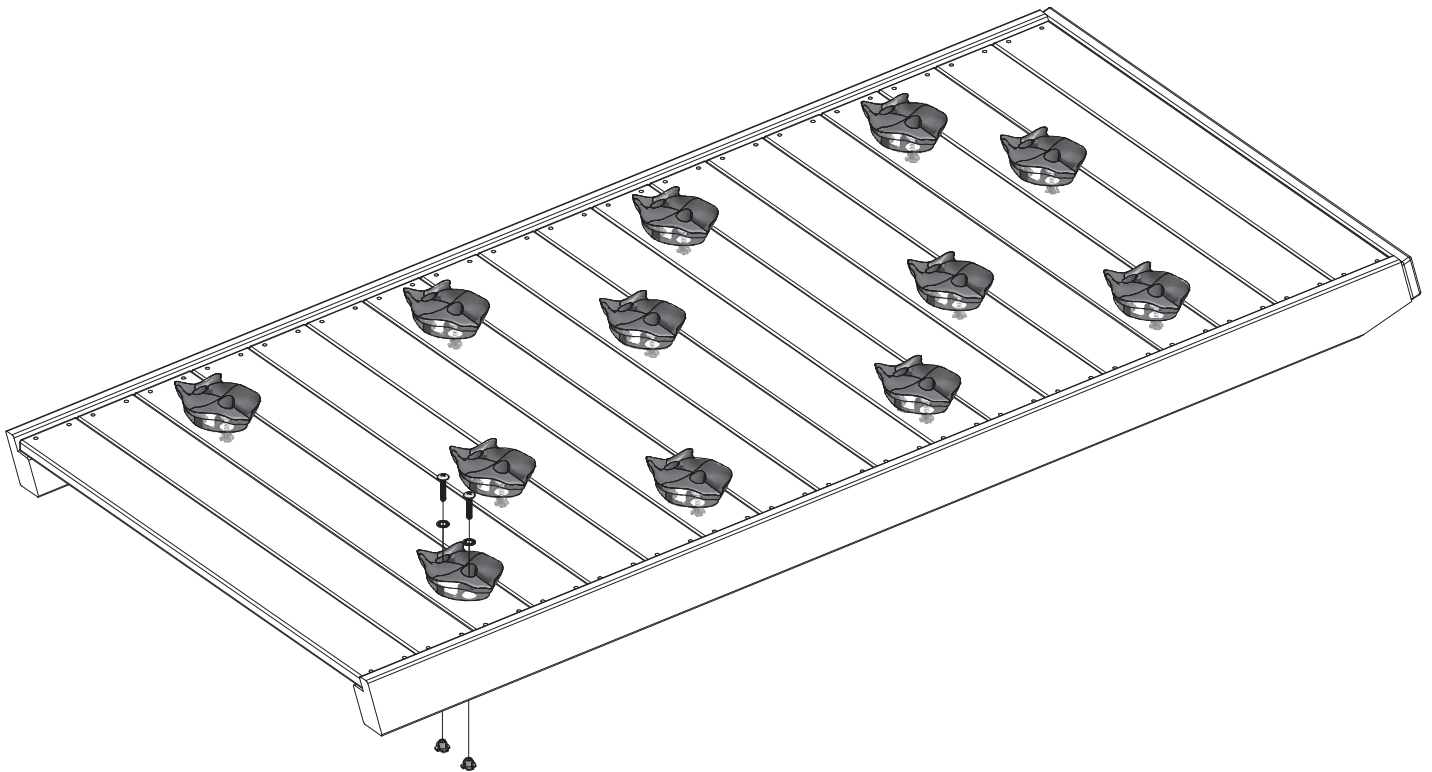
(24) BOLT PTH
1/4x1-1/4



(24) WASHER
LOCK INT
8x15



(24) T-NUT 1/4

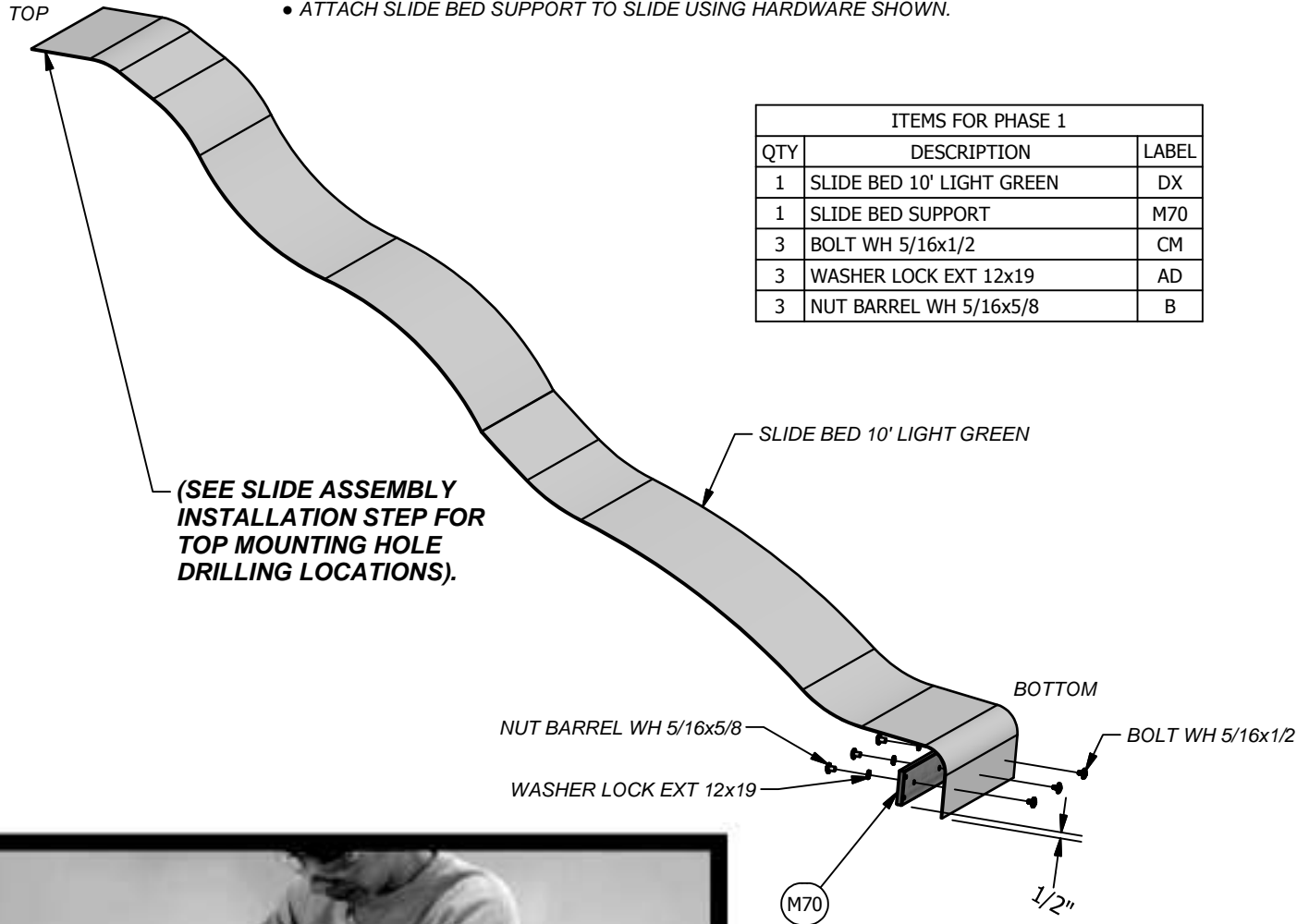


10 FOOT SLIDE ASSEMBLY

PHASE 1

STEP 1

- **PLACE SLIDE BED SUPPORT CENTERED ON THE BOTTOM 1/2" FROM THE EDGE. TRANSFER HOLES ON THE BOARD THROUGH THE SLIDE BED AS SHOWN BELOW. USE A 3/8" DRILL BIT.**
- **ATTACH SLIDE BED SUPPORT TO SLIDE USING HARDWARE SHOWN.**



USE M70 SLIDE BRACE AS A TEMPLATE FOR DRILLING BOTTOM HOLE PATTERN IN SLIDE BED. BE SURE TO PLACE SLIDE BRACE UP 1/2" FROM BOTTOM EDGE OF SLIDE BED BEFORE MARKING HOLE PATTERN.

TIP: PREBENDING THE ENDS WILL EASE ASSEMBLY.

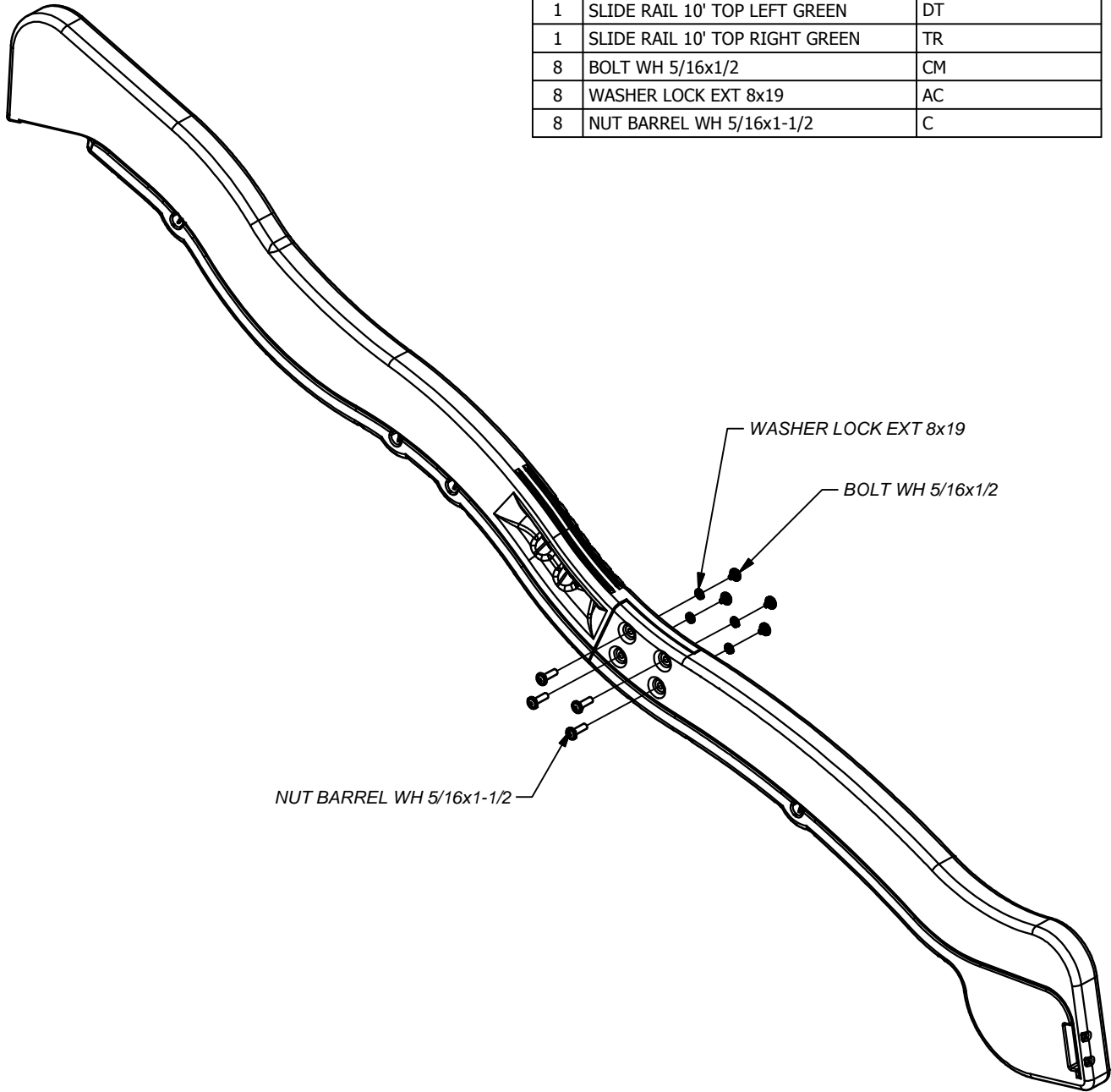
10 FOOT SLIDE ASSEMBLY

PHASE 2

STEP 2

- ASSEMBLE WITH HARDWARE AS SHOWN.
- REPEAT ON OTHER SIDE, MAKING A LEFT AND RIGHT ASSEMBLY.

ITEMS FOR PHASE 2		
QTY	DESCRIPTION	STOCK NUMBER
1	SLIDE RAIL 10' BOTTOM LEFT GREEN	DR
1	SLIDE RAIL 10' BOTTOM RIGHT GREEN	DS
1	SLIDE RAIL 10' TOP LEFT GREEN	DT
1	SLIDE RAIL 10' TOP RIGHT GREEN	TR
8	BOLT WH 5/16x1/2	CM
8	WASHER LOCK EXT 8x19	AC
8	NUT BARREL WH 5/16x1-1/2	C



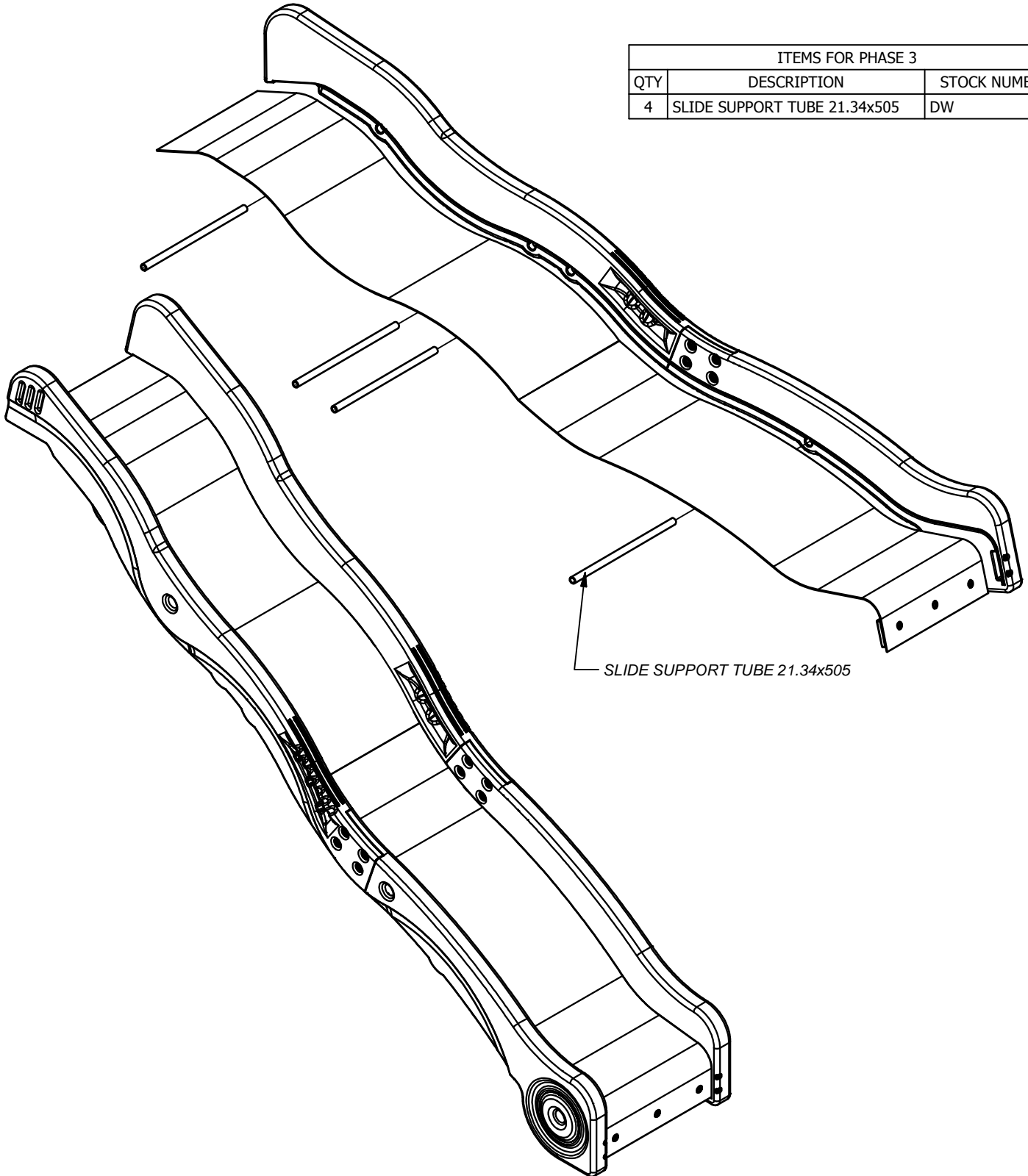
10 FOOT SLIDE ASSEMBLY

PHASE 3

STEP 3

- PLACE (1) SLIDE RAIL ASSEMBLY ON A FLAT SURFACE AND BEGIN INSERTING SLIDE BED AT THE BOTTOM OF THE SLIDE RAIL (FIG. 1). PUT SLIDE BED SUPPORT INTO THE SUPPORT POCKET AT THE BOTTOM OF THE RAIL AND HAVE A HELPER BEND THE SLIDE BED TOWARDS THE TOP OF THE SLIDE AND INSERT THE BED INTO THE SLIDE CAVITY. MAKE SURE SLIDE BED IS COMPLETELY DOWN IN THE SLIDE CAVITY.
- INSTALL THE (4) SLIDE SUPPORT TUBES INTO THEIR RESPECTIVE PILOT LOCATIONS (FIG. 1).
- PLACE THE OTHER SLIDE RAIL ASSEMBLY ON A FLAT SURFACE WITH THE SLIDE CAVITY UP. HAVE A HELPER HOLD THE TOP END OF THE SLIDE BED AND BEGIN INSERTING THE SLIDE BED, SUPPORT TUBES, AND SUPPORT BOARD INTO THE CAVITY AND SUPPORT POCKETS STARTING AT THE BOTTOM OF THE SLIDE AND WORKING UP TO THE TOP (FIG. 2).

ITEMS FOR PHASE 3		
QTY	DESCRIPTION	STOCK NUMBER
4	SLIDE SUPPORT TUBE 21.34x505	DW

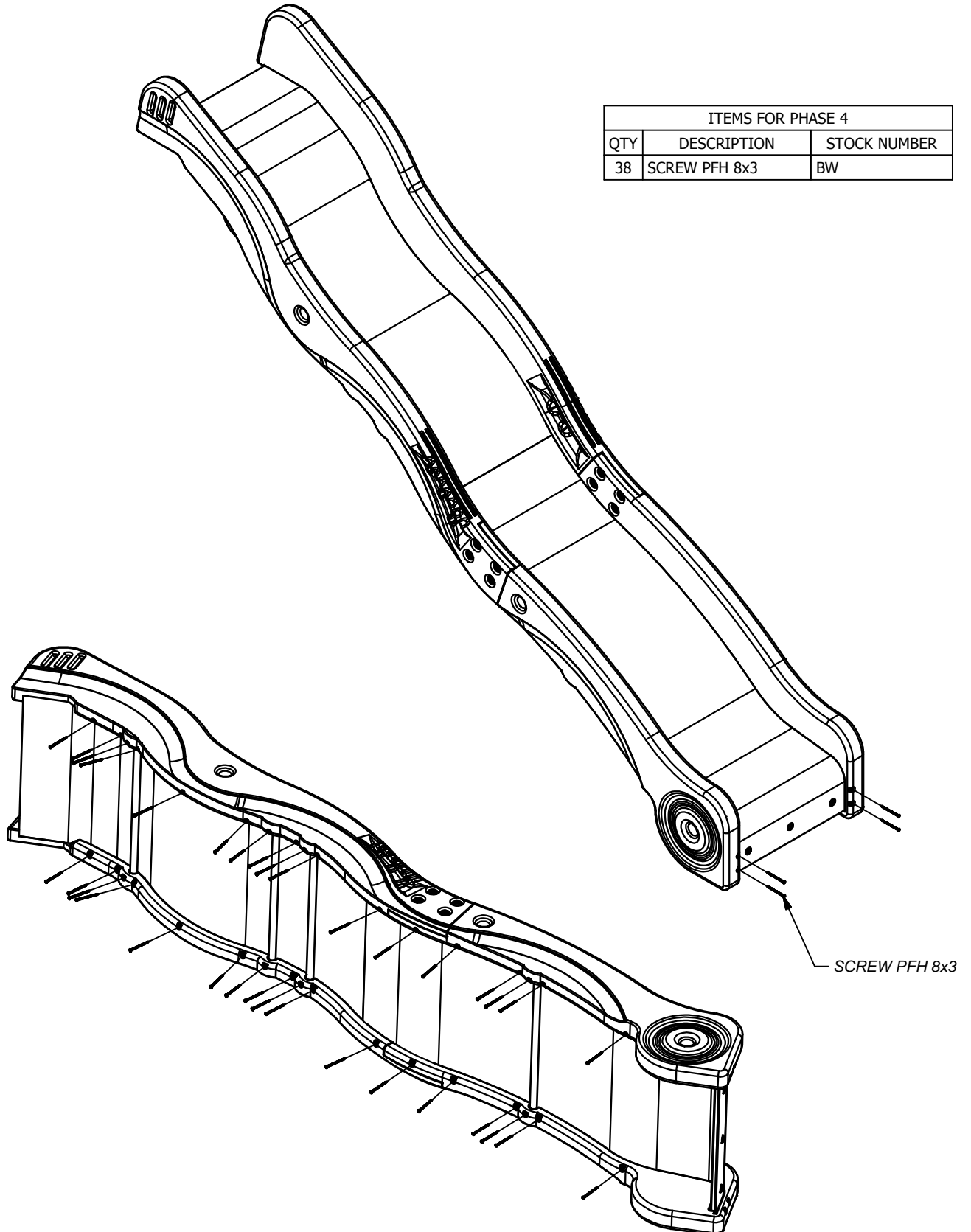


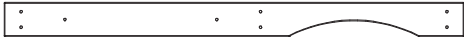
10 FOOT SLIDE ASSEMBLY

PHASE 4

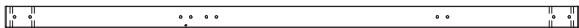
STEP 4

- ONCE THE SLIDE BED, SUPPORT TUBES, AND SUPPORT BOARD ARE COMPLETELY IN THE CAVITY AND SUPPORT POCKET, SECURE USING 3" SCREWS AT EACH OF THE PILOT HOLE LOCATIONS AS SHOWN.

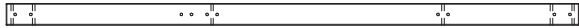




(1) **G1 - SIDE ARCH WALL RAIL - W102436**
1"x5 1/4"x71 7/8" (24x134x1825)



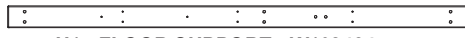
(2) **E1 - FORT UPRIGHT - W102432**
1 3/8"x3 3/8"x89 5/8" (36x86x2275)



(2) **E2 - FORT UPRIGHT - W102433**
1 3/8"x3 3/8"x89 5/8" (36x86x2275)



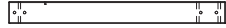
(1) **M7 - WALL RAIL - W102449**
5/8"x3 3/8"x42 1/8" (16x86x1069)



(1) **H1 - FLOOR SUPPORT - W102434**
1"x3 3/8"x71 7/8" (24x86x1825)



(1) **G6 - GROUND BOARD - W102453**
1"x5 1/4"x63 3/8" (24x134x1609)



(1) **E5 - SUNDECK UPRIGHT - W102498**
1 3/8"x3 3/8"x33 7/8" (36x86x861)



(1) **E4 - SUNDECK UPRIGHT - W102497**
1 3/8"x3 3/8"x33 7/8" (36x86x861)



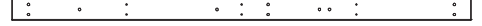
(1) **G7 - CENTER ARCH WALL RAIL - W102456**
1"x5 1/4"x40 7/8" (24x134x1037)



(1) **G4 - GROUND BOARD - W102450**
1"x5 1/4"x63 3/8" (24x134x1609)



(1) **G5 - SIDE ARCH WALL RAIL - W102452**
1"x5 1/4"x71 7/8" (24x134x1825)



(1) **H4 - FLOOR SUPPORT - W102451**
1"x3 3/8"x71 7/8" (24x86x1825)

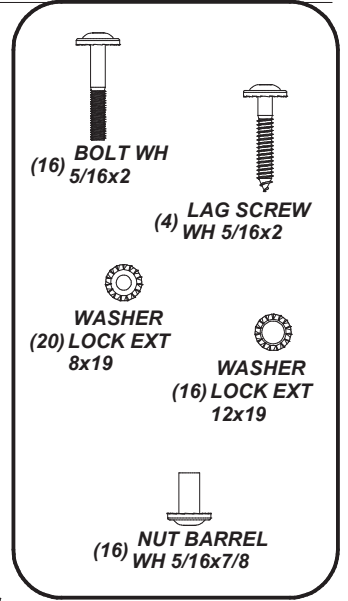
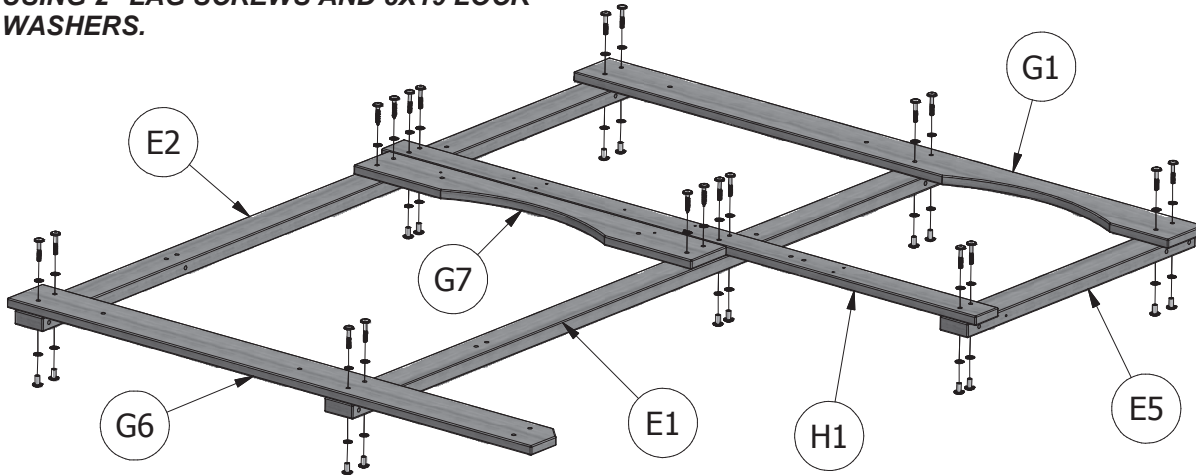
STEP 1

LAY ONE E1 FORT UPRIGHT, ONE E2 FORT UPRIGHT AND E5 BOARD FLAT ON GROUND.

ATTACH G1 BOARD AND H1 BOARD TO E1 AND E2 FORT UPRIGHTS AND E5 SUNDECK UPRIGHT USING 2" BOLTS, LOCK WASHERS AND 7/8" BARREL NUTS.

ATTACH G6 BOARD TO E1 AND E2 FORT UPRIGHTS USING 2" BOLTS, LOCK WASHERS AND 7/8" BARREL NUTS.

ATTACH G7 BOARD TO E1 AND E2 FORT UPRIGHTS DIRECTLY UNDERNEATH H1 BOARD USING 2" LAG SCREWS AND 8X19 LOCK WASHERS.



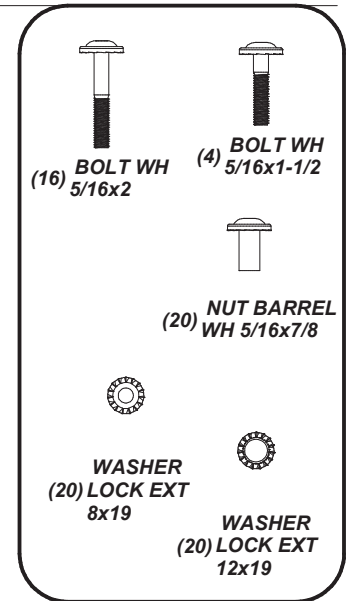
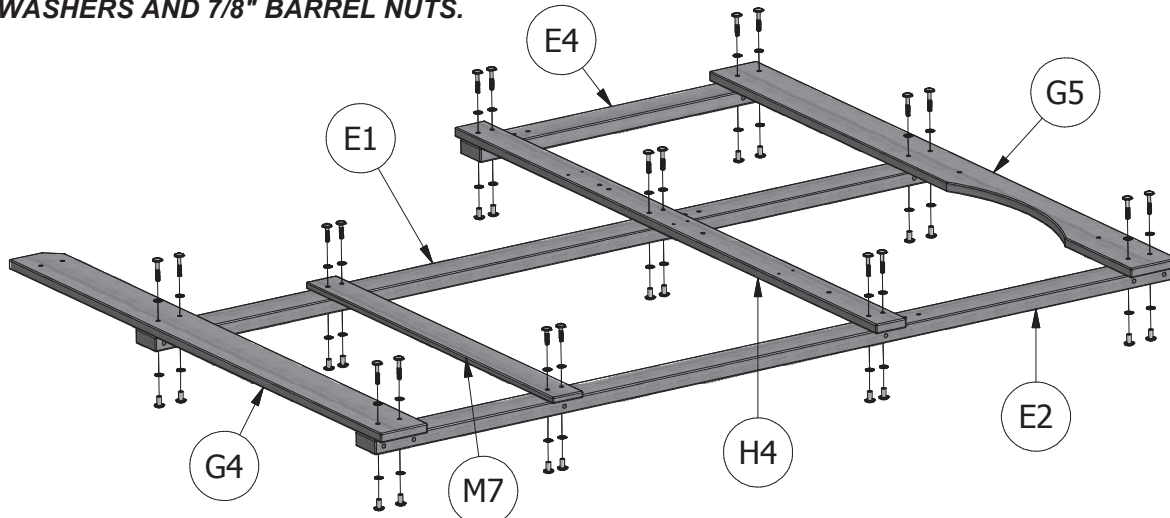
STEP 2

LAY ONE E1 FORT UPRIGHT, ONE E2 FORT UPRIGHT AND E4 BOARD FLAT ON GROUND.

ATTACH G5 BOARD AND H4 BOARD TO E1 AND E2 FORT UPRIGHTS AND E4 SUNDECK UPRIGHT USING 2" BOLTS, LOCK WASHERS AND 7/8" BARREL NUTS.

ATTACH G4 BOARD TO E1 AND E2 FORT UPRIGHTS USING 2" BOLTS, LOCK WASHERS AND 7/8" BARREL NUTS.

ATTACH M7 BOARD TO E1 AND E2 FORT UPRIGHTS USING 1 1/2" BOLTS, LOCK WASHERS AND 7/8" BARREL NUTS.



(2) **G2 - GROUND BOARD - W102438**
1"x5 1/4"x43 3/4" (24x134x1110)

(1) **G8 - CENTER ARCH WALL RAIL - W102504**
1"x5 1/4"x43 3/4" (24x134x1110)

(1) **M4 - WALL RAIL - W102443**
5/8"x3 3/8"x43 3/4" (16x86x1110)

(1) **G3 - WALL RAIL - W102441**
1"x5 1/4"x43 3/4" (24x134x1110)

(1) **H2 - FLOOR SUPPORT - W102439**
1"x3 3/8"x43 3/4" (24x86x1110)

(1) **H8 - WALL RAIL - W102507**
1"x3 3/8"x43 3/4" (24x86x1110)

(1) **M21 - WALL RAIL - W102514**
5/8"x3 3/8"x43 3/4" (16x86x1110)

STEP 3

STAND UP UPRIGHT ASSEMBLIES AND ATTACH G2 GROUND BOARDS TO E1 & E2 UPRIGHTS USING 4 1/4" BOLTS, LOCK WASHERS, AND 5/16" T-NUTS.

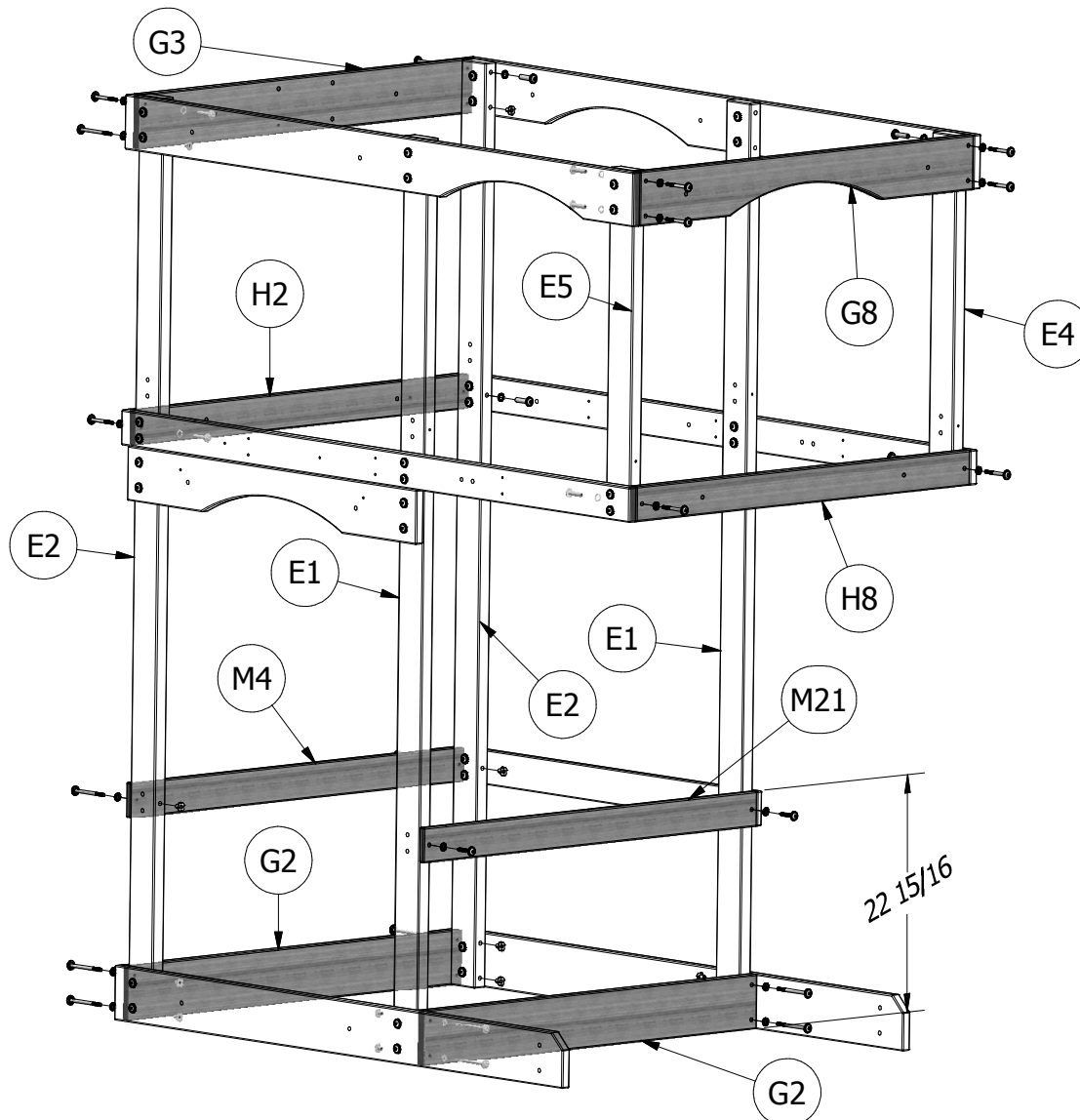
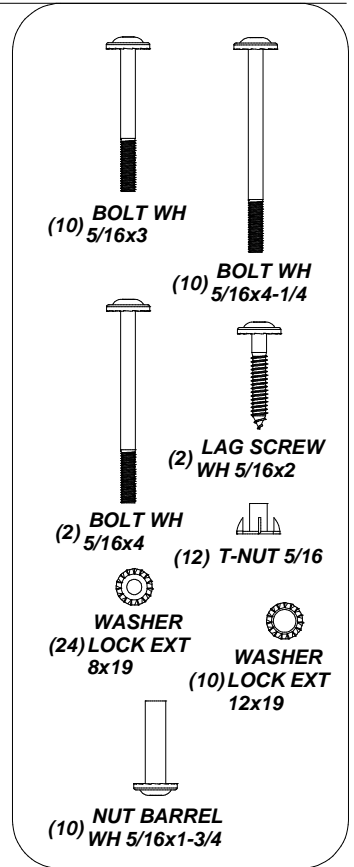
ATTACH M4 WALL RAIL TO E2 UPRIGHTS USING 4" BOLTS, LOCK WASHERS, AND 5/16" T-NUTS.

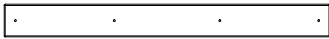
ATTACH H2 FLOOR SUPPORT TO E2 UPRIGHTS USING 3" BOLTS, LOCK WASHERS, AND 1 3/4" BARREL NUTS.

ATTACH G3 WALL RAIL TO E2 UPRIGHTS USING 4 1/4" BOLTS, LOCK WASHERS, AND 5/16" T-NUTS IN BOTTOM HOLES AND 3" BOLTS, LOCK WASHERS, AND 1 3/4" BARREL NUTS IN TOP HOLES.

USING M21 AS A TEMPLATE, PILOT DRILL USING 1/8" DRILL BIT AND ATTACH M21 WALL RAIL TO E1 UPRIGHTS 22 15/16" FROM BOTTOM OF G2 GROUND BOARD USING 2" LAG SCREWS AND 8X19 LOCK WASHERS.

ATTACH G8 & H8 BOARDS TO E4 & E5 SUNDECK UPRIGHTS USING 3" BOLTS, LOCK WASHERS, AND 1 3/4" BARREL NUTS.





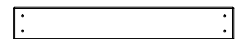
(1) **M19 - LADDER WALL CAP - W102512**
5/8"x3 3/8"x34" (16x86x863)



(1) **M20 - SWING WALL CAP - W102513**
5/8"x3 3/8"x40 7/8" (16x86x1038)



(2) **M22 - LOWER ENCLOSURE SLAT - W102515**
5/8"x3 3/8"x23" (16x86x583)

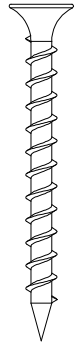
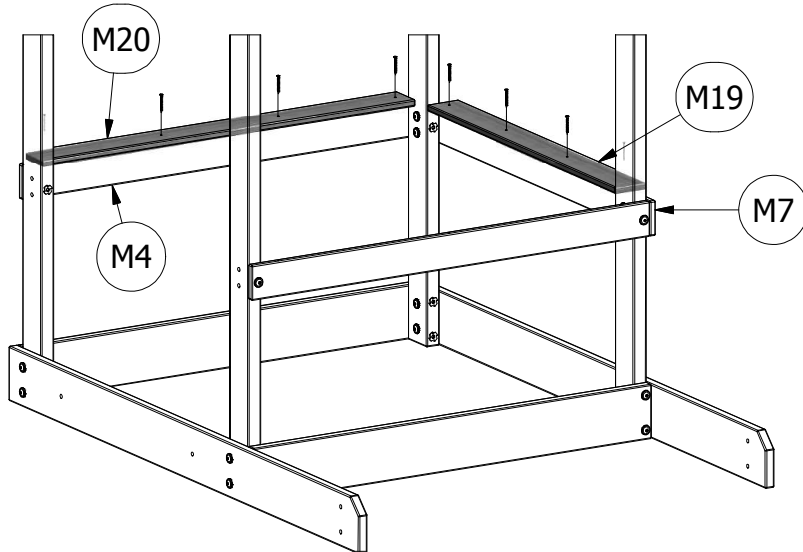


(10) **M5 - LOWER ENCLOSURE SLAT - W102444**
5/8"x3 3/8"x23" (16x86x583)

STEP 4

ATTACH M20 WALL CAP TO M4 WALL RAIL USING 1 3/4" SCREWS.

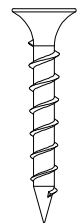
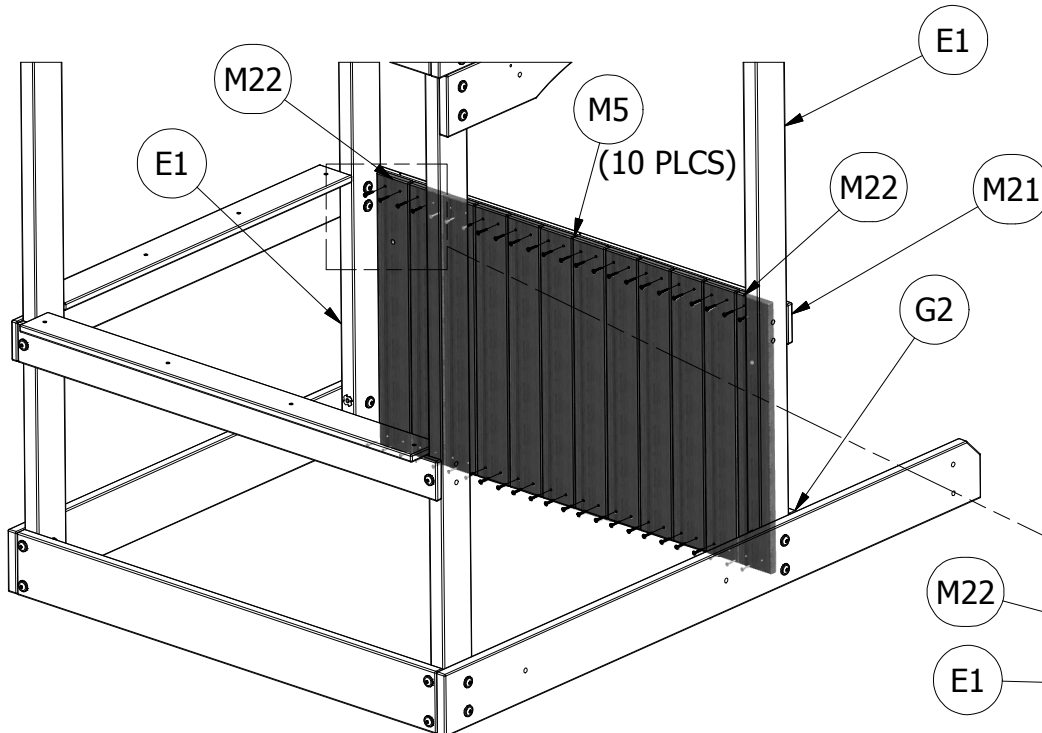
ATTACH M19 WALL CAP TO M7 WALL RAIL USING 1 3/4" SCREWS.



(8) **SCREW PFH**
8x1-3/4"

STEP 5

ATTACH (10) M5 WALL SLATS AND (2) M22 WALL SLATS TO M21 WALL RAIL AND G2 GROUND BOARD USING 1 1/8" SCREWS.



(48) **SCREW PFH**
8x1-1/8"

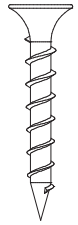
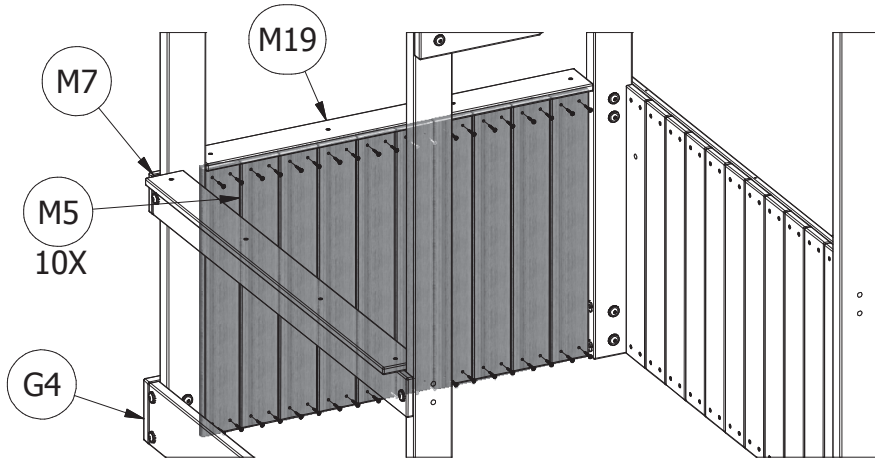
**FLIP BOARD SO
HOLE IS AT THE TOP**



(22) M5 - LOWER ENCLOSURE SLAT - W102444
5/8"x3 3/8"x23" (16x86x583)

STEP 6

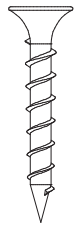
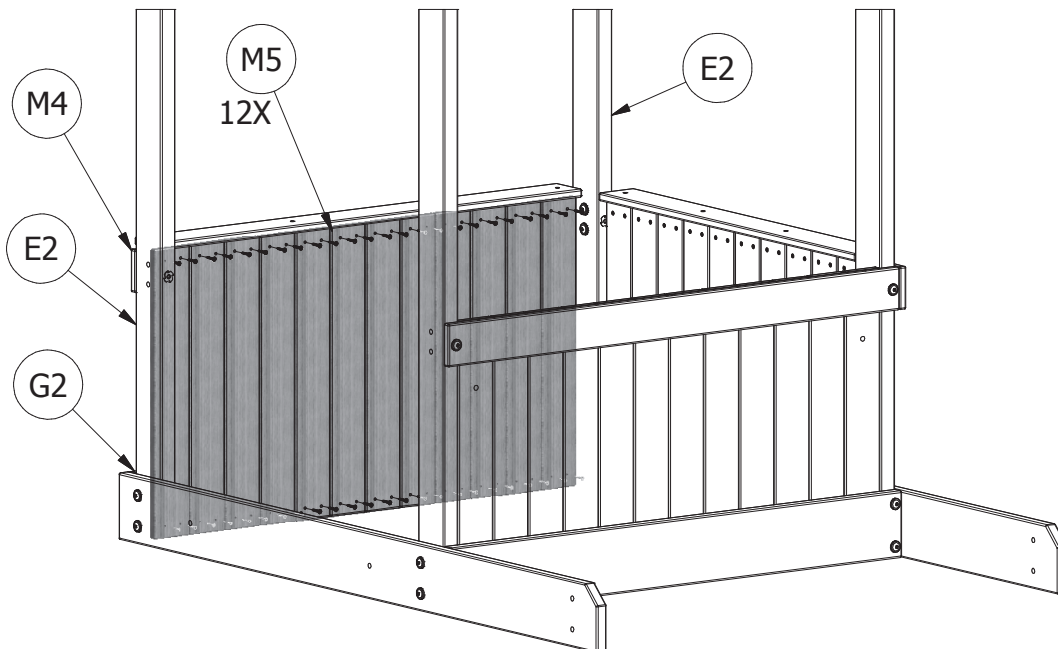
ATTACH (10) M5 WALL SLATS TO M7 WALL RAIL AND G4 GROUND BOARD USING 1 1/8" SCREWS.



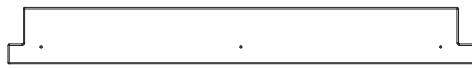
(40) SCREW PFH
8x1-1/8"

STEP 7

ATTACH (12) M5 WALL SLATS TO M4 WALL RAIL AND G2 GROUND BOARD USING 1 1/8" SCREWS.



(48) SCREW PFH
8x1-1/8"



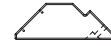
(1) **G9 - TABLE TOP BOARD - W102508**
1"x5 1/4"x43 3/4" (24x134x1110)



(1) **G10 - TABLE TOP BOARD - W102509**
1"x5 1/4"x43 3/4" (24x134x1110)



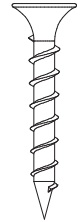
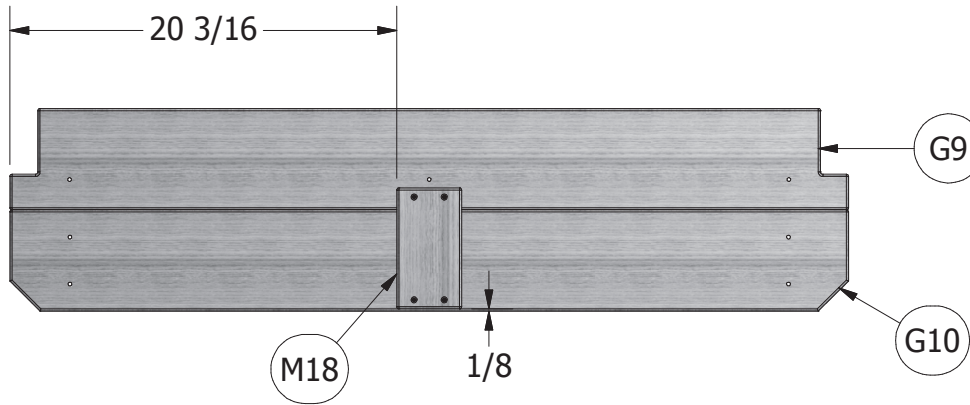
(1) **M18 - TABLE TOP CLEAT - W102510**
5/8"x3 3/8"x6 1/4" (16x86x160)



(2) **E6 - TABLE TOP GUSSET - W102511**
1 3/8"x3 3/8"x9 3/8" (36x86x237.5)

STEP 8

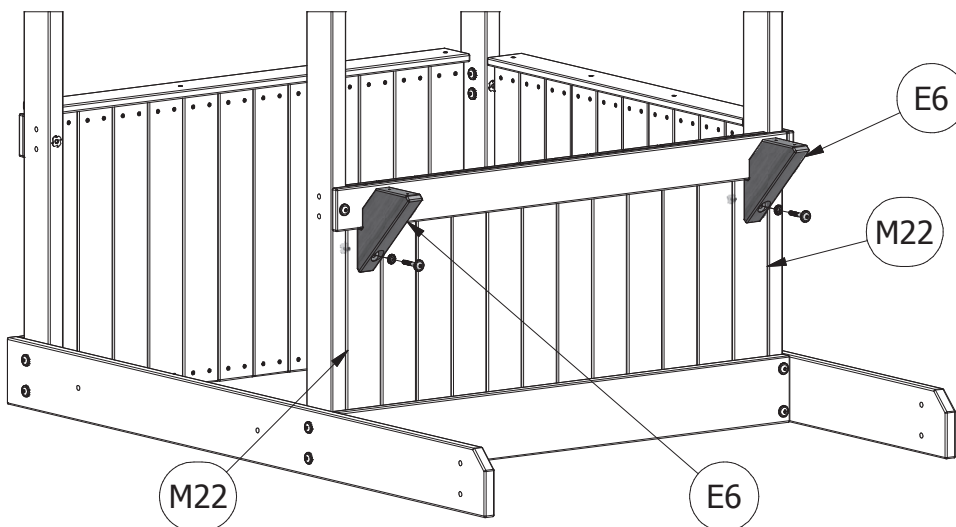
LAY G9 & G10 BOARDS FLAT WITH ENDS FLUSH AND ATTACH M18 CLEAT USING 1 1/8" SCREWS. FOLLOW DIMENSIONS SHOWN BELOW FOR CORRECT CLEAT PLACEMENT.



(4) **SCREW PFH**
8x1-1/8"

STEP 9

ATTACH E6 GUSSETS TO M22 WALL SLATS USING 2" BOLTS, LOCK WASHERS, AND 5/16" T-NUTS.



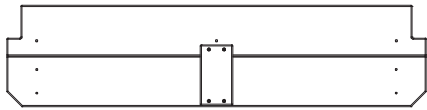
(2) **BOLT WH**
5/16x2



(2) **WASHER**
LOCK EXT
8x19



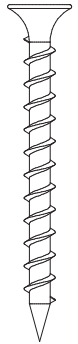
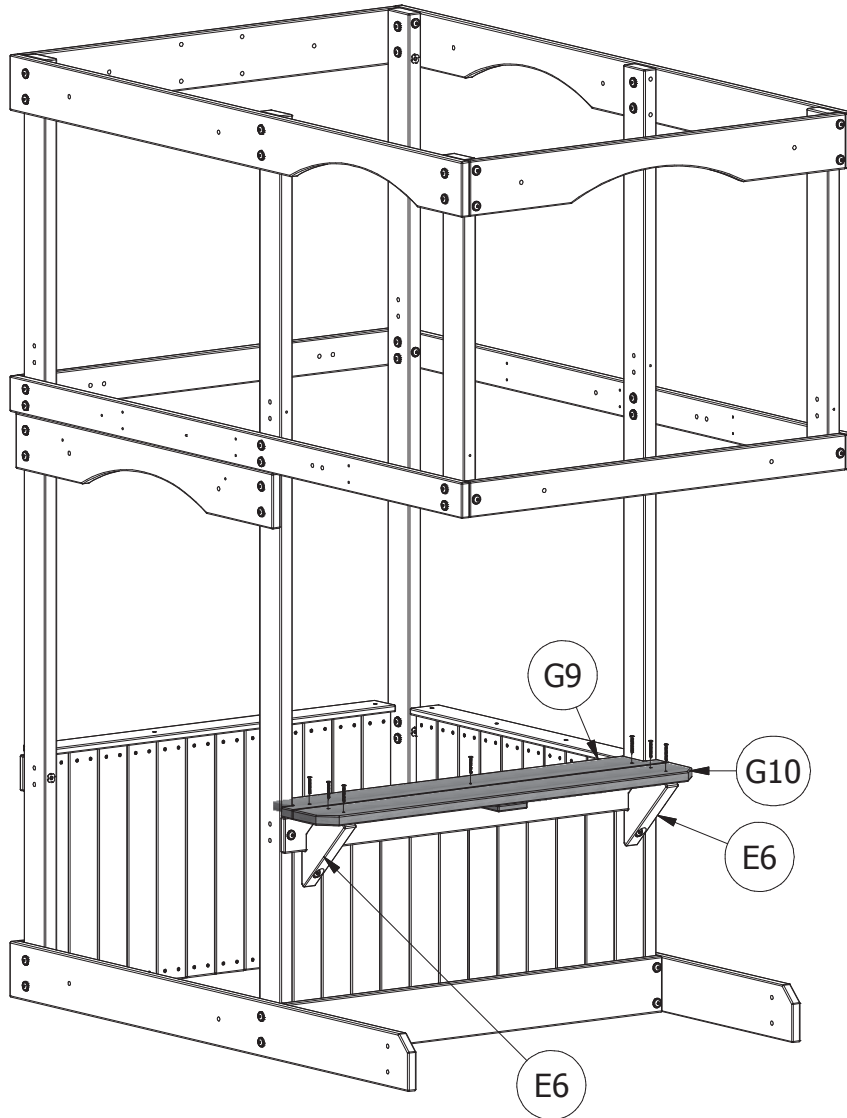
(2) **T-NUT 5/16**



(1) TABLE TOP ASSEMBLY

STEP 10

ATTACH TABLE TOP ASSEMBLY FROM STEP 8 TO E6 GUSSETS USING 1 3/4" SCREWS.



(7) SCREW PFH
8x1-3/4"



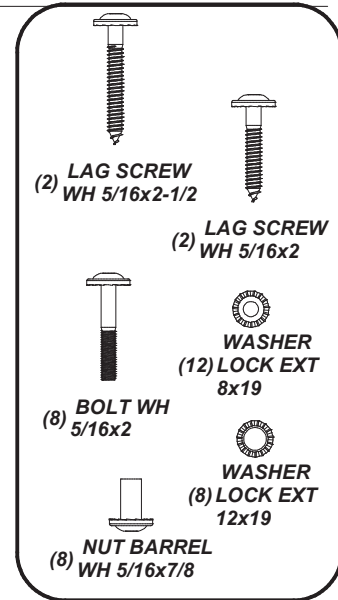
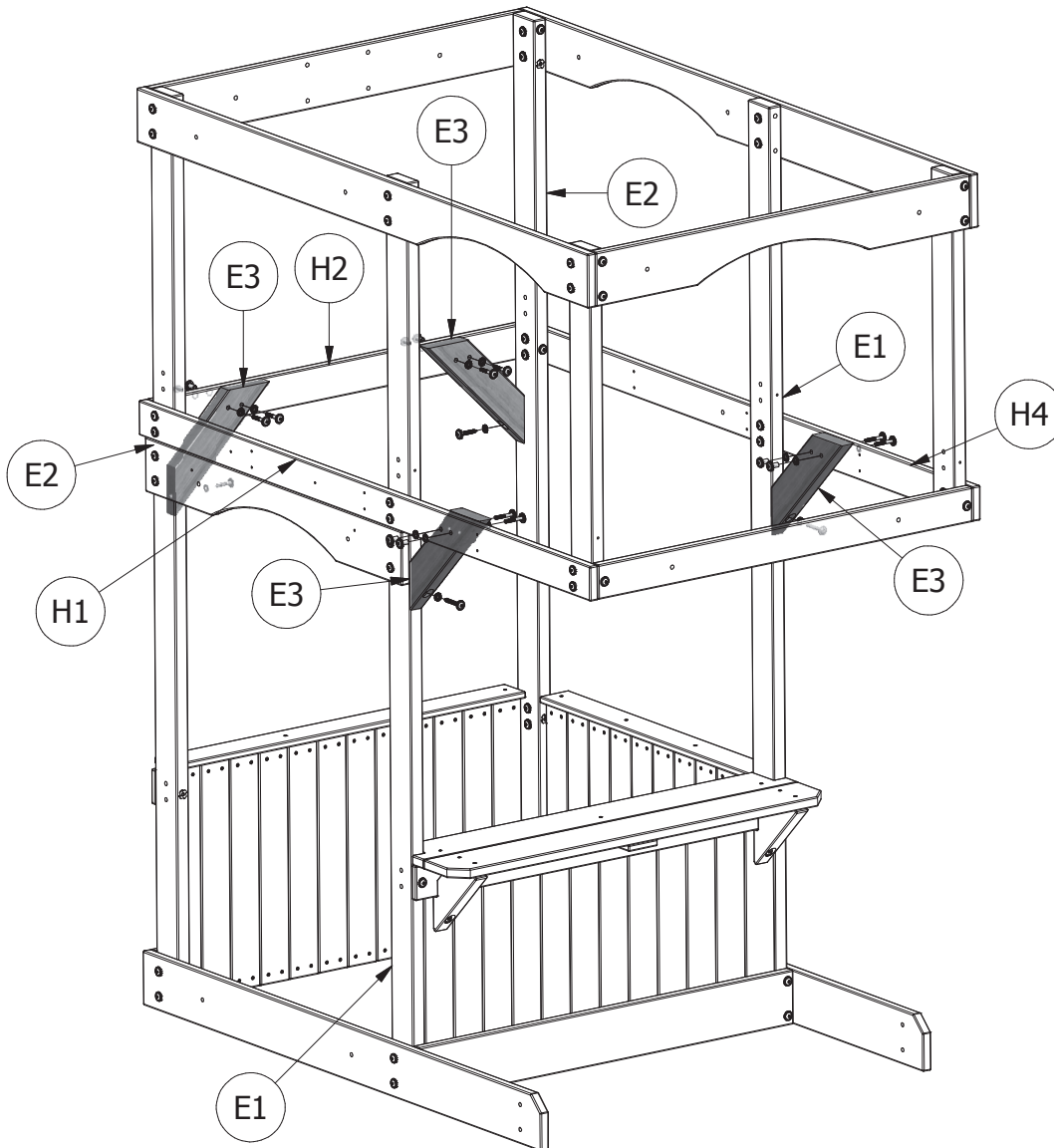
(4) **E3 - DOUBLE ANGLE GUSSET - W102437**
1 3/8"x3 3/8"x15 7/8" (36x86x403)

STEP 11

ATTACH TOPS OF (2) E3 GUSSETS TO H2 FLOOR SUPPORT USING 2" BOLTS, LOCK WASHERS, AND 7/8" BARREL NUTS; ATTACH AT THE BOTTOM TO E2 UPRIGHTS USING 2" LAG SCREWS AND LOCK WASHERS.

ATTACH TOP OF (1) E3 GUSSET TO H1 FLOOR SUPPORT USING 2" BOLTS, LOCK WASHERS, AND 7/8" BARREL NUTS; ATTACH AT THE BOTTOM TO E1 UPRIGHT USING 2 1/2" LAG SCREW AND LOCK WASHER.

ATTACH TOP OF REMAINING E3 GUSSET TO H4 FLOOR SUPPORT USING 2" BOLTS, LOCK WASHERS, AND 7/8" BARREL NUTS; ATTACH AT THE BOTTOM TO E1 UPRIGHT USING 2 1/2" LAG SCREW AND LOCK WASHER.

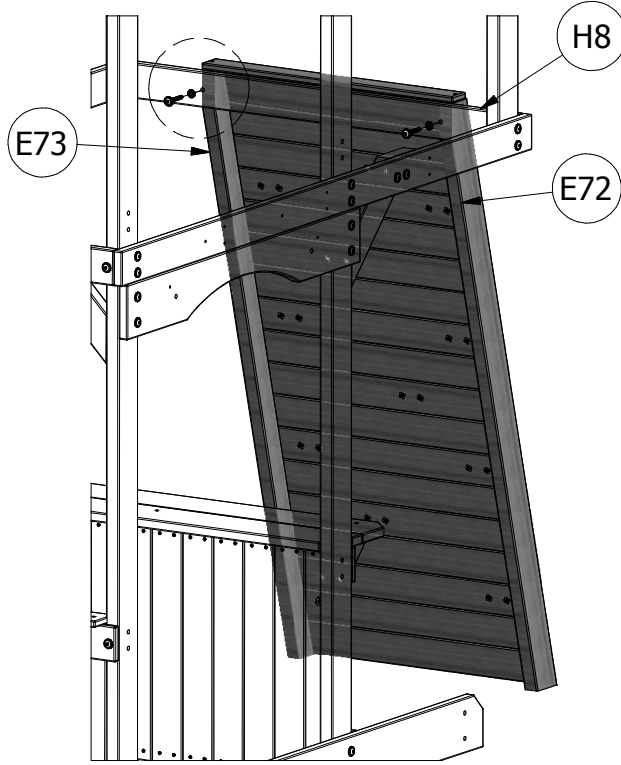
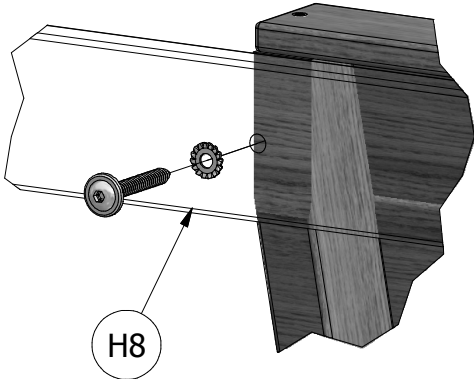




(3) **H3 - FLOOR JOIST - W102448**
1"x3 3/8"x43 5/8" (24x86x1108)

STEP 12

USING H8 FLOOR SUPPORT AS A TEMPLATE, PILOT DRILL E72 & E73 ROCK WALL UPRIGHTS WITH AN 1/8" BIT AND ATTACH ROCKWALL ASSEMBLY TO H8 FLOOR SUPPORT USING 2 1/2" LAG SCREWS AND LOCK WASHERS.



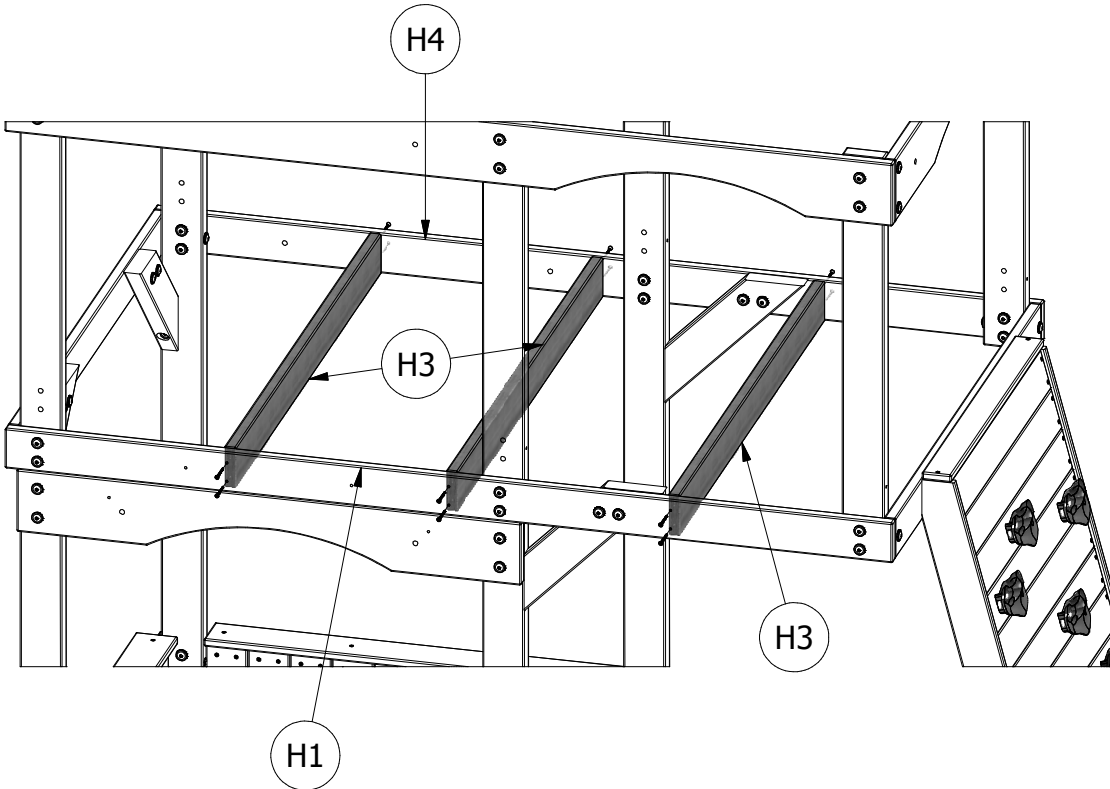
(2) **LAG SCREW**
WH 5/16x2-1/2



(2) **WASHER**
LOCK EXT
8x19

STEP 13

ATTACH H3 FLOOR JOISTS TO H1 & H4 FLOOR SUPPORTS USING 2" SCREWS.



(12) **SCREW PFH**
8x2

(1) M1 - WALL RAIL - W102435
5/8"x3 3/8"x42 1/8" (16x86x1069)

(2) M17 - WALL RAIL - W102506
5/8"x3 3/8"x7 5/8" (16x86x195)

(2) N1 - FLOOR BOARD - W102446
5/8"x2 3/8"x34" (16x60x864)

(12) M6 - FLOOR BOARD - W102445
5/8"x3 3/8"x71 7/8" (16x86x1825)

(2) M27 - WALL RAIL - W102520
5/8"x3 3/8"x11 5/8" (16x86x296)

(2) N2 - FLOOR BOARD - W102447
5/8"x2 3/8"x25 3/4" (16x60x653)

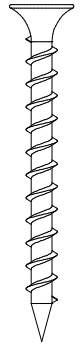
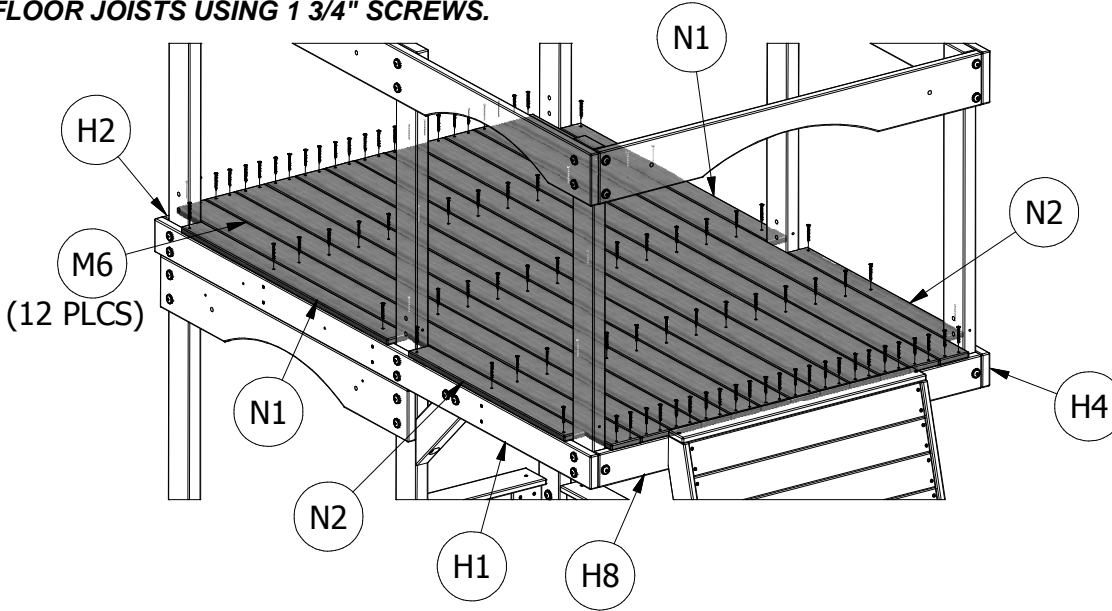
(2) G11 - WALL RAIL - W102542
1"x5 1/4"x11 5/8" (24x134x296)

STEP 14

ATTACH (12) M6 FLOOR BOARDS TO H2 & H8 FLOOR SUPPORTS AND H3 FLOOR JOISTS USING 1 3/4" SCREWS.

ATTACH (1) N1 FLOOR BOARD AND (1) N2 FLOOR BOARD TO H1 FLOOR SUPPORT AND H3 FLOOR JOISTS USING 1 3/4" SCREWS.

ATTACH (1) N1 FLOOR BOARD AND (1) N2 FLOOR BOARD TO H4 FLOOR SUPPORT AND H3 FLOOR JOISTS USING 1 3/4" SCREWS.



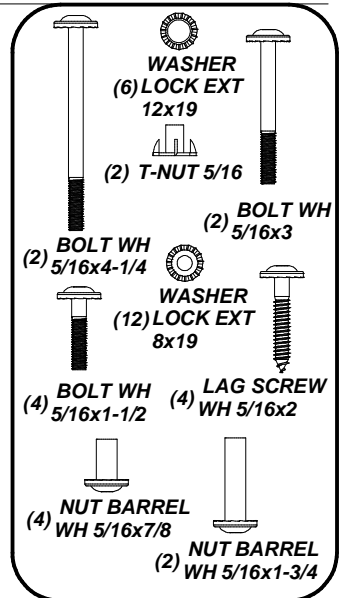
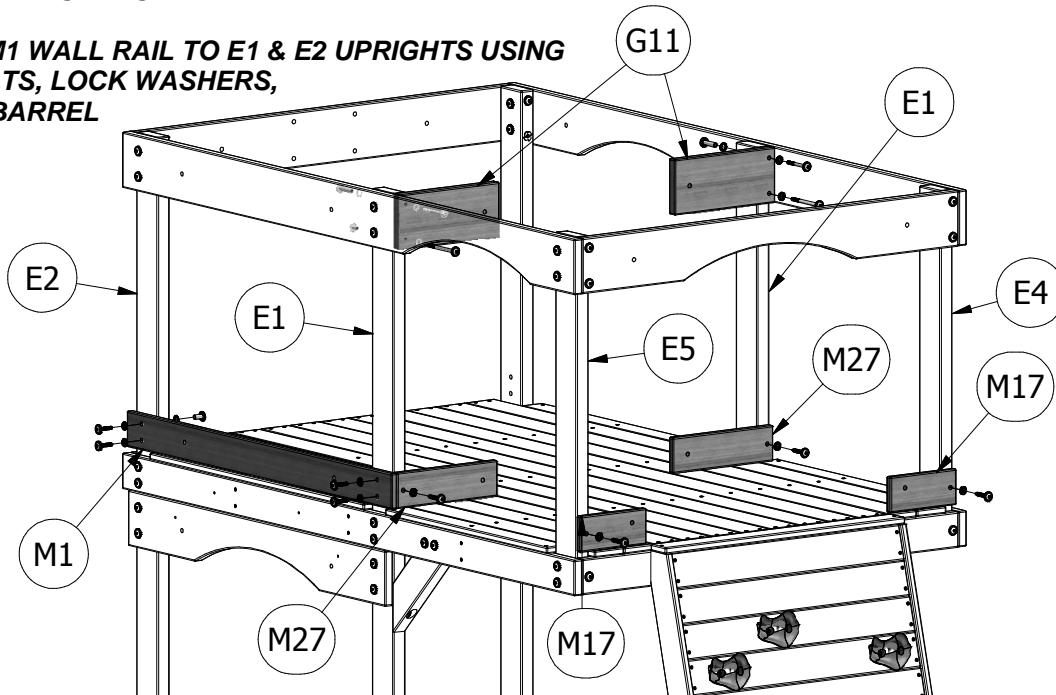
SCREW PFH
(96) 8x1-3/4"

STEP 15

ATTACH M17 WALL RAILS TO E4 & E5 SUNDECK UPRIGHTS USING 2" LAG SCREWS AND 8X19 LOCK WASHERS.

ATTACH G11 WALL RAILS TO E1 UPRIGHTS USING 3" BOLTS, LOCK WASHERS, AND 1 3/4" BARREL NUTS IN TOP HOLES AND 4 1/4" BOLTS, LOCK WASHERS, AND 5/16" T-NUTS IN BOTTOM HOLES. ATTACH M27 WALL RAILS TO E1 UPRIGHTS USING 2" LAG SCREWS AND LOCK WASHERS.

ATTACH M1 WALL RAIL TO E1 & E2 UPRIGHTS USING 1 1/2" BOLTS, LOCK WASHERS, AND 7/8" BARREL NUTS.



(1) M2 - WALL RAIL - W102440
5/8"x3 3/8"x43 3/4" (16x86x1110)

(1) M24 - WALL RAIL - W102626
5/8"x3 3/8"x10 7/8" (16x86x276)



(2) EJ - L BRACKET 54x67 - A100053

(1) M9 - WALL RAIL - W102457
5/8"x3 3/8"x40" (16x86x1016)

(2) M10 - ARCH WALL SLAT - W102458
5/8"x3 3/8"x42 7/8" (16x86x1090)

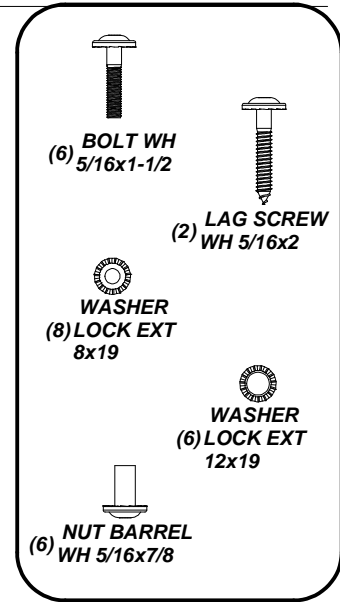
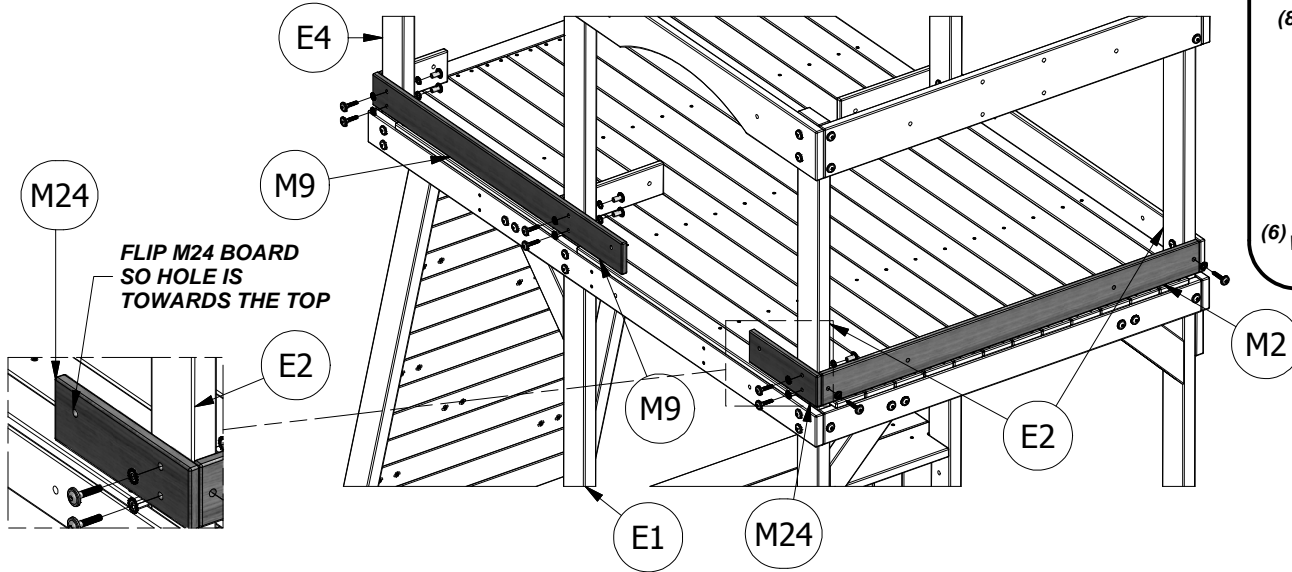
(2) M23 - ARCH WALL SLAT - W102625
5/8"x3 3/8"x42 7/8" (16x86x1090)

STEP 16

ATTACH M2 WALL RAIL TO E2 UPRIGHTS USING 2" LAG SCREWS AND LOCK WASHERS.

ATTACH M24 WALL RAIL TO E2 UPRIGHT USING 1 1/2" BOLTS, LOCK WASHERS, AND 7/8" BARREL NUTS. NOTE THE HOLE ORIENTATION SHOWN BELOW.

ATTACH M9 WALL RAIL TO E1 UPRIGHT AND E4 SUNDECK UPRIGHT USING 1 1/2" BOLTS, LOCK WASHERS, AND 7/8" BARREL NUTS.

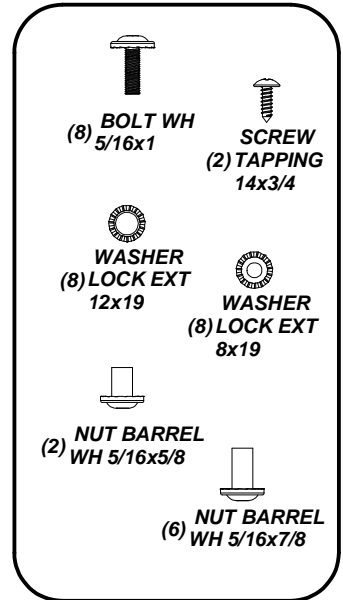
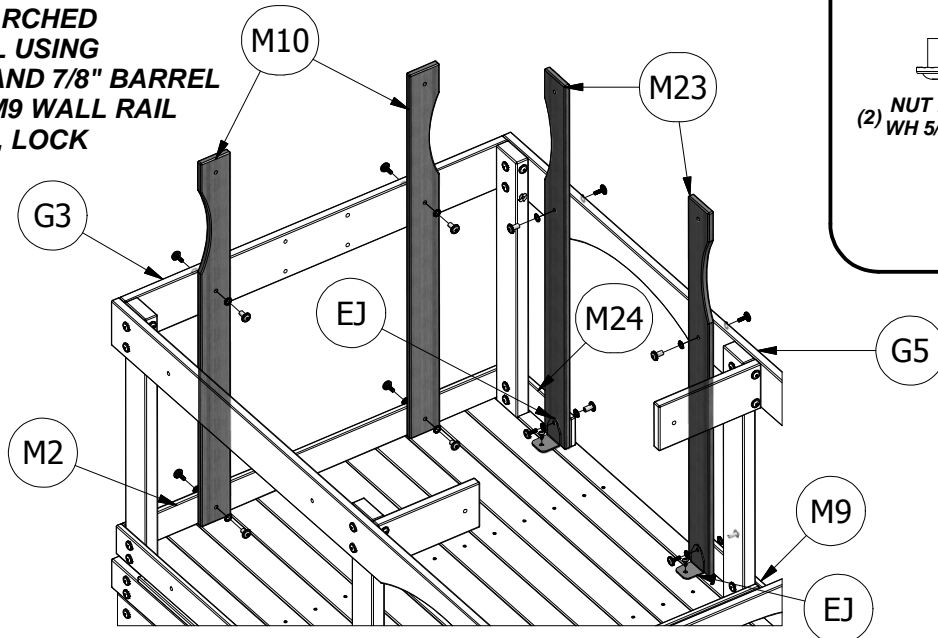


STEP 17

ATTACH MIDDLES OF (2) M10 ARCHED WALL SLATS TO G3 WALL RAIL USING 1" BOLTS, LOCK WASHERS, AND 7/8" BARREL NUTS; ATTACH BOTTOMS TO M2 WALL RAIL USING 1" BOLTS, LOCK WASHERS, AND 5/8" BARREL NUTS.

ATTACH MIDDLE OF (1) M23 ARCHED WALL SLAT TO G5 WALL RAIL USING 1" BOLTS, LOCK WASHERS, AND 7/8" BARREL NUTS; ATTACH BOTTOM TO M24 WALL RAIL USING EJ BRACKET, 1" BOLT, LOCK WASHERS, 7/8" BARREL NUT. SECURE EJ BRACKET TO FLOOR USING 3/4" TAPPING SCREW.

ATTACH MIDDLE OF (1) M23 ARCHED WALL SLAT TO G5 WALL RAIL USING 1" BOLTS, LOCK WASHERS, AND 7/8" BARREL NUTS; ATTACH BOTTOM TO M9 WALL RAIL USING EJ BRACKET, 1" BOLT, LOCK WASHERS, AND 7/8" BARREL NUT. SECURE EJ BRACKET TO FLOOR USING 3/4" TAPPING SCREW.





(2) M10 - ARCH WALL SLAT - W102458
5/8"x3 3/8"x42 7/8" (16x86x1090)



(2) M16 - WALL SLAT - W102505
5/8"x3 3/8"x28 1/8" (16x86x715)



(2) M28 - DOUBLE ARCH WALL SLAT - W102541
5/8"x3 3/8"x42 7/8" (16x86x1090)



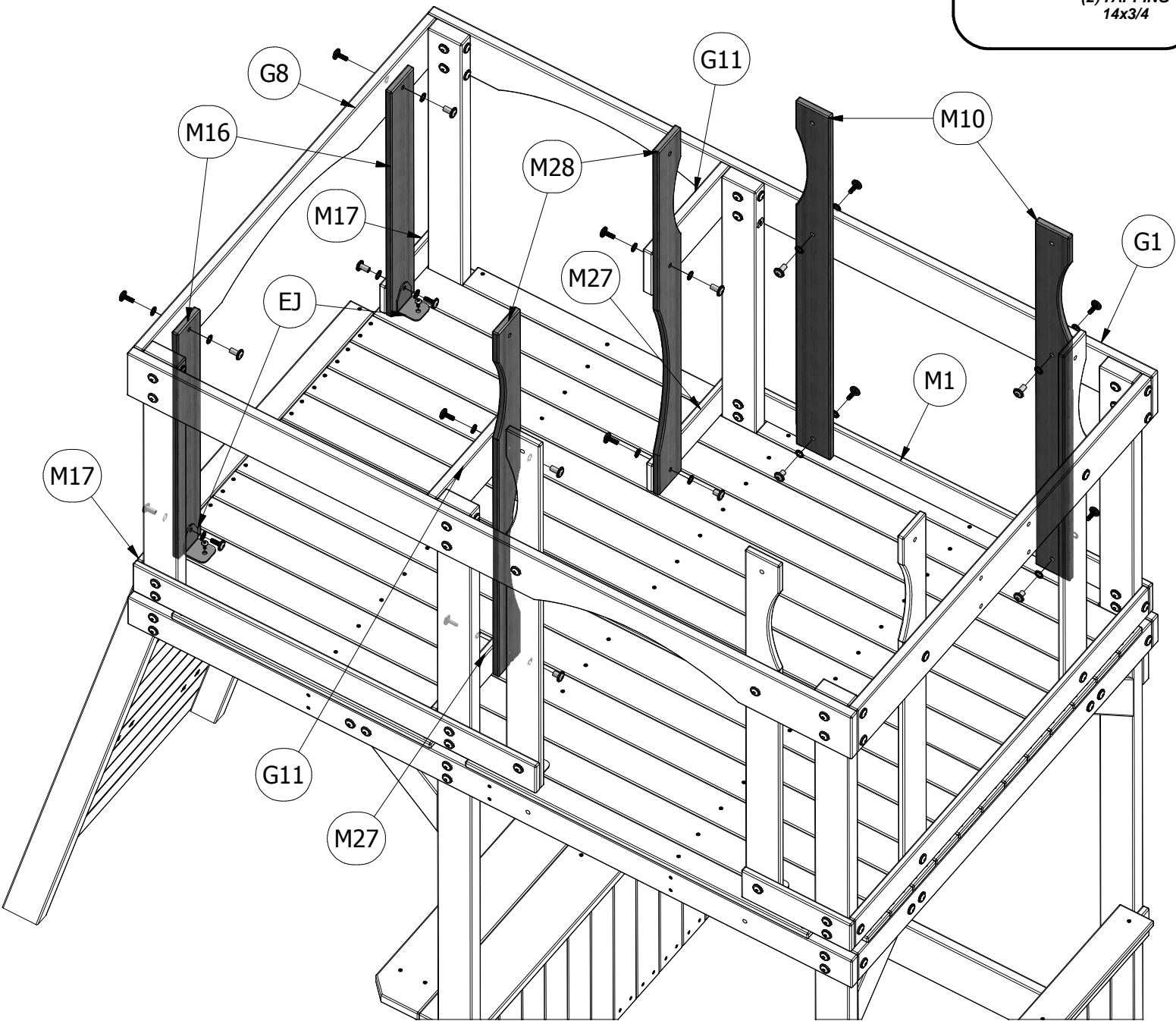
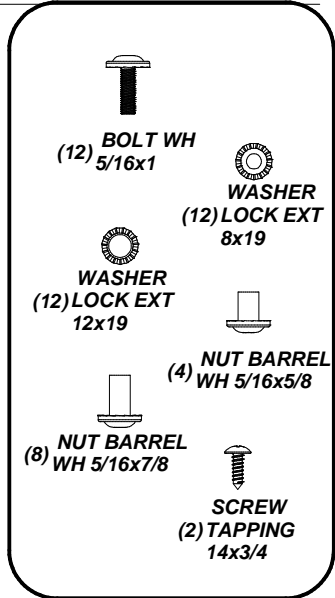
(2) EJ - L BRACKET 54x67 - A100053

STEP 18

ATTACH TOPS OF M16 WALL SLATS TO G8 WALL RAIL USING 1" BOLTS, LOCK WASHERS, AND 7/8" BARREL NUTS; ATTACH BOTTOMS TO M17 WALL RAILS USING EJ BRACKETS, 1" BOLTS, LOCK WASHERS, AND 7/8" BARREL NUTS. SECURE EJ BRACKET TO FLOOR USING 3/4" TAPPING SCREW.

ATTACH TOPS OF M28 ARCHED WALL SLATS TO G11 WALL RAILS USING 1" BOLTS, LOCK WASHERS, AND 7/8" BARREL NUTS; ATTACH BOTTOMS TO M27 WALL RAILS USING 1" BOLTS, LOCK WASHERS, AND 5/8" BARREL NUTS.

ATTACH TOPS OF M10 WALL SLATS TO G1 WALL RAIL USING 1" BOLTS, LOCK WASHERS, AND 7/8" BARREL NUTS; ATTACH BOTTOMS TO M1 WALL RAIL USING 1" BOLTS, LOCK WASHERS, AND 5/8" BARREL NUTS.



(1) **H9 - ROOF SUPPORT - W102543**
1"x3 3/8"x43 3/4" (24x86x1110)

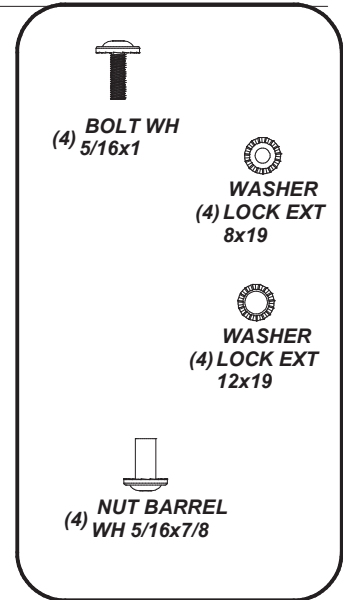
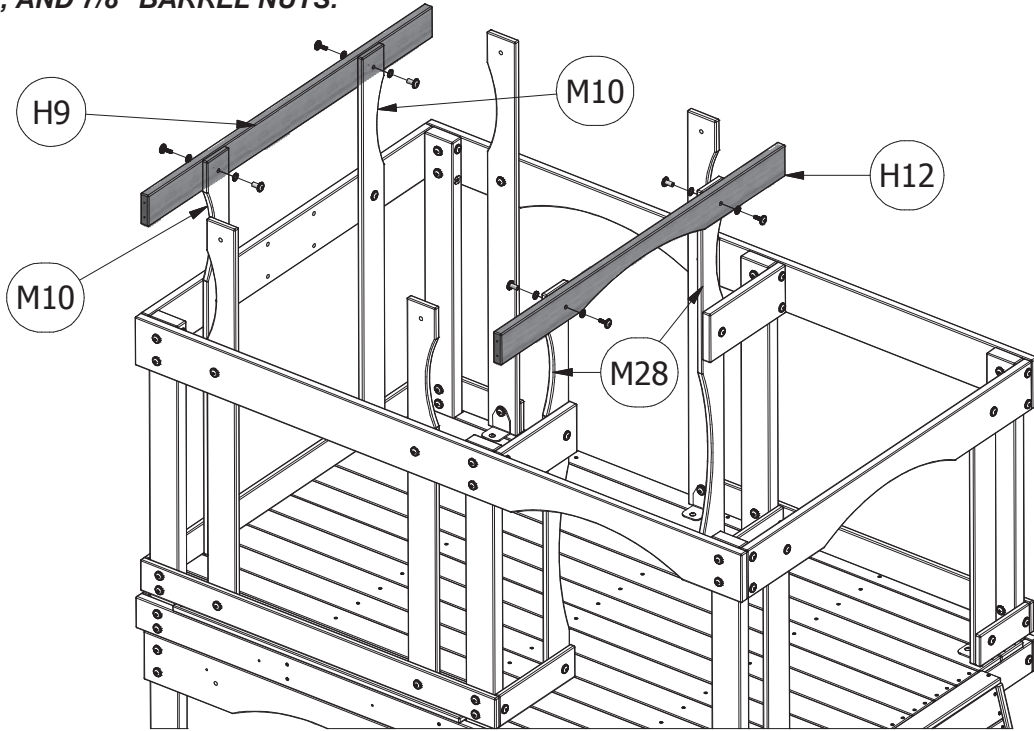
(2) **H10 - ROOF SUPPORT - W102545**
1"x3 3/8"x45 1/2" (24x86x1157)

(1) **H12 - WALL RAIL - W102558**
1"x3 3/8"x43 3/4" (24x86x1110)

STEP 19

ATTACH H9 ROOF SUPPORT TO M10 ARCHED WALL SLATS USING 1" BOLTS, LOCK WASHERS, AND 7/8" BARREL NUTS.

ATTACH H12 ROOF SUPPORT TO M28 ARCHED WALL SLATS USING 1" BOLTS, LOCK WASHERS, AND 7/8" BARREL NUTS.

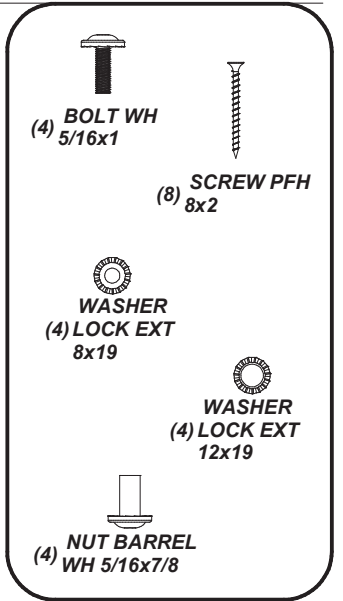
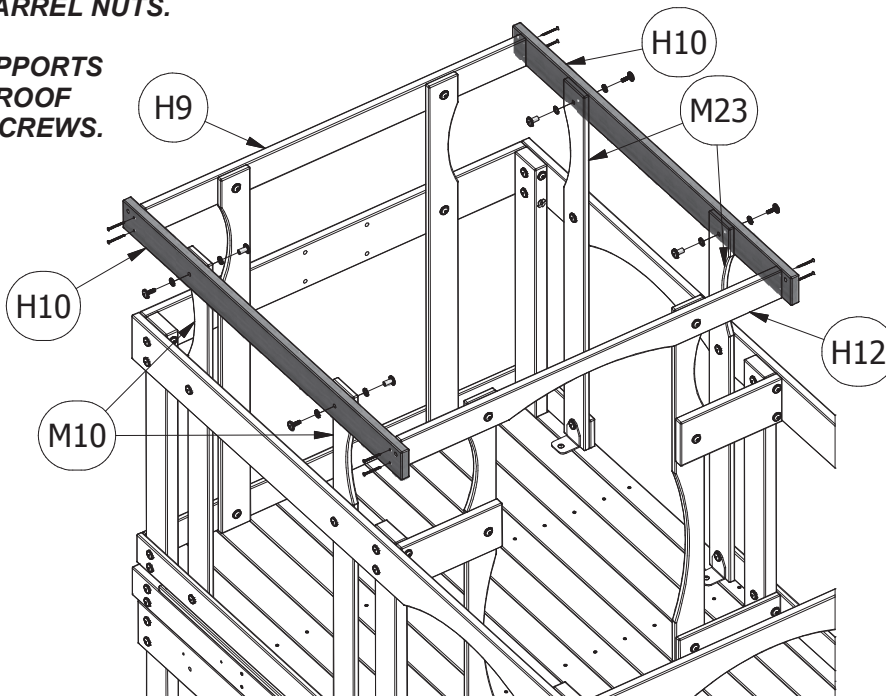


STEP 20

ATTACH (1) H10 ROOF SUPPORT TO M10 ARCHED WALL SLATS USING 1" BOLTS, LOCK WASHERS, AND 7/8" BARREL NUTS.

ATTACH (1) H10 ROOF SUPPORT TO M23 ARCHED WALL SLATS USING 1" BOLTS, LOCK WASHERS, AND 7/8" BARREL NUTS.

ATTACH H10 ROOF SUPPORTS TO ENDS OF H9 & H12 ROOF SUPPORTS USING 2" SCREWS.



(4) M11 - ARCH WALL SLAT - W102459
5/8"x3 3/8"x42 7/8" (16x86x1090)

(6) M12 - ARCH WALL SLAT - W102460
5/8"x3 3/8"x42 7/8" (16x86x1090)

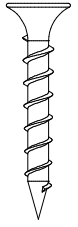
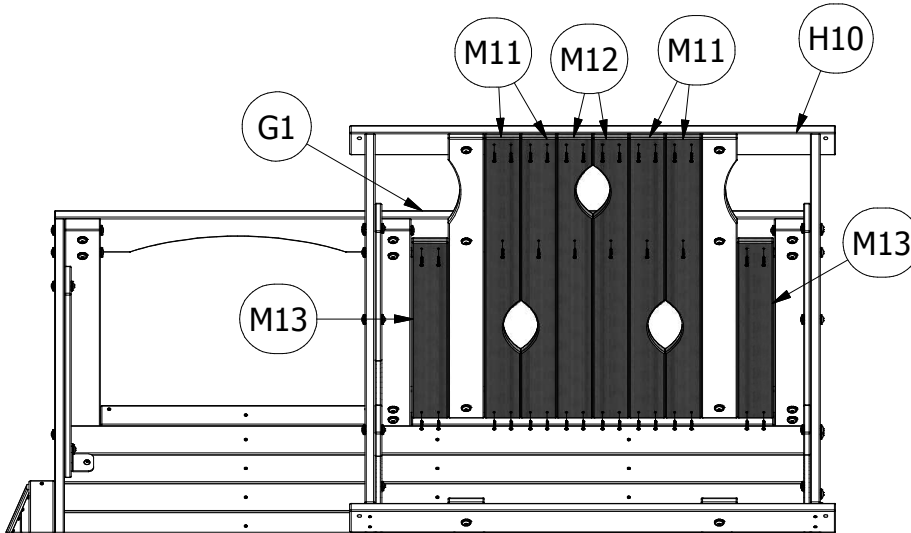
(6) M13 - WALL SLAT - W102461
5/8"x3 3/8"x27" (16x86x685)

(2) M14 - WALL SLAT - W102499
5/8"x3 3/8"x42 7/8" (16x86x1090)

STEP 21

ATTACH (4) M11 & (2) M12 WALL SLATS TO H10 ROOF SUPPORT AND G1 & M1 WALL RAILS AS SHOWN USING 1 1/8" SCREWS.

ATTACH (2) M13 WALL SLATS TO G1 & M1 WALL RAILS AS SHOWN USING 1 1/8" SCREWS.



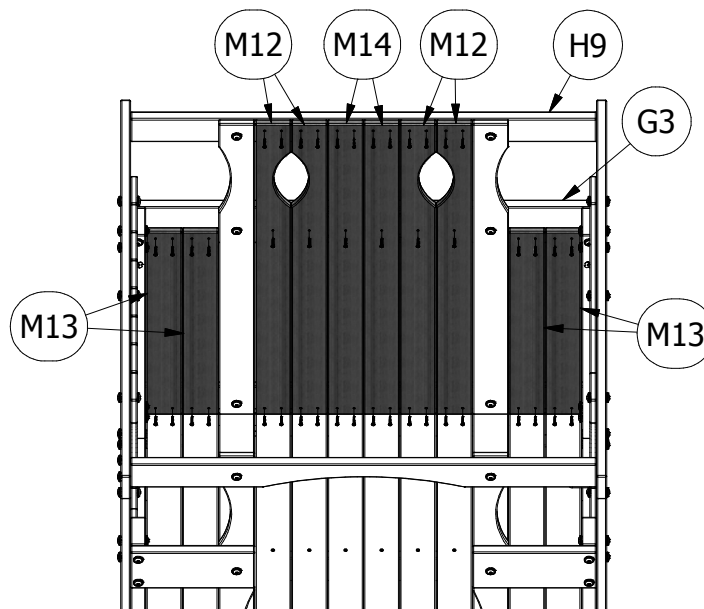
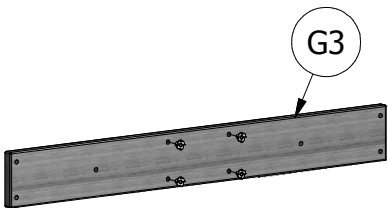
(38) SCREW PFH
8x1-1/8"

STEP 22

HAMMER (4) T-NUTS INTO CENTER HOLES OF G3 WALL RAIL FROM INSIDE FORT.

ATTACH (4) M12 & (2) M14 WALL SLATS TO H9 ROOF SUPPORT, G3 & M2 WALL RAILS AS SHOWN USING 1 1/8" SCREWS.

ATTACH (4) M13 WALL SLATS TO G3 & M2 WALL RAILS AS SHOWN USING 1 1/8" SCREWS.



(46) SCREW PFH
8x1-1/8"



(4) T-NUT 5/16



(6) M13 - WALL SLAT - W102461
5/8"x3 3/8"x27" (16x86x685)



(4) M25 - UPPER SLAT - W102518
5/8"x3 3/8"x15" (16x86x380)

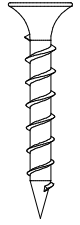
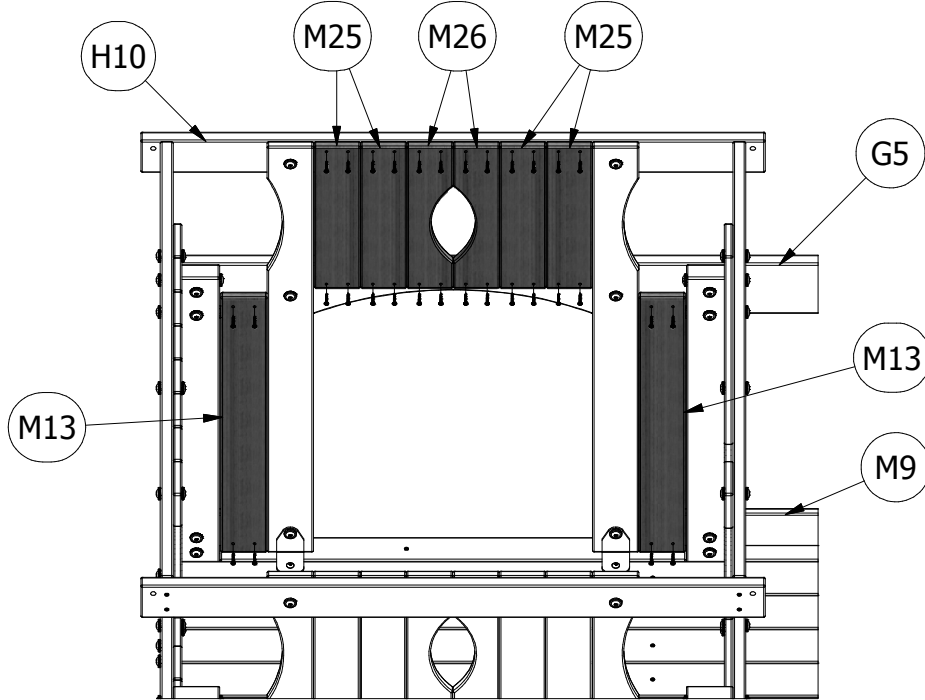


(2) M26 - UPPER ARCHED SLAT - W102519
5/8"x3 3/8"x15" (16x86x380)

STEP 23

ATTACH (2) M13 WALL SLATS TO G5, M9, & M24 WALL RAILS USING 1 1/8" SCREWS.

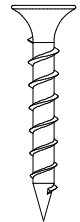
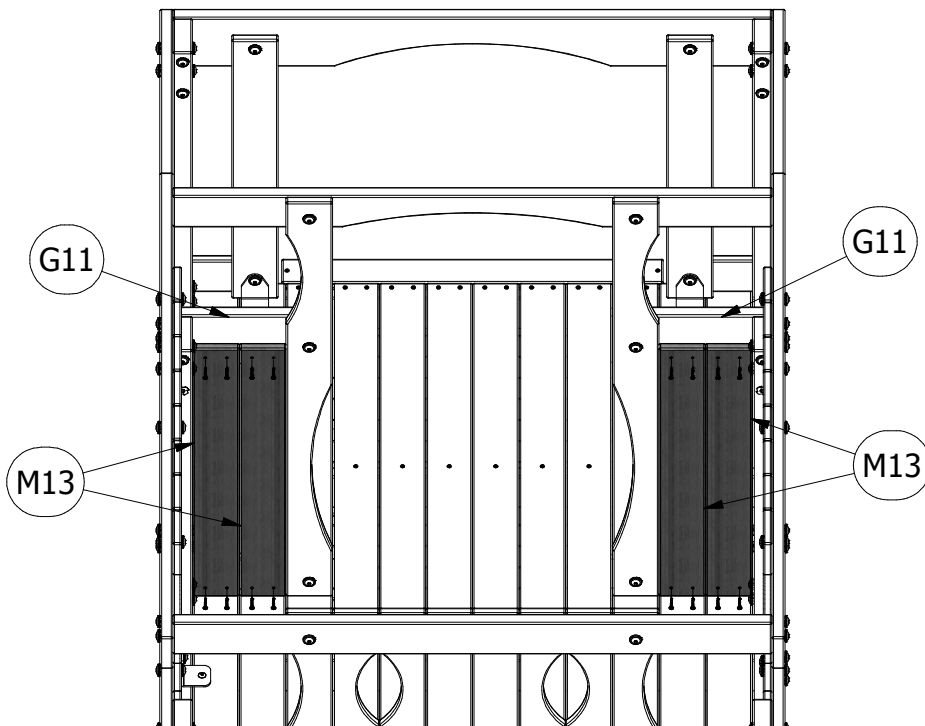
ATTACH M25 & M26 UPPER WALL SLATS TO G5 WALL RAIL & H10 ROOF SUPPORT USING 1 1/8" SCREWS.



(32) SCREW PFH
8x1-1/8"

STEP 24

ATTACH (4) M13 WALL SLATS TO G11 & M27 WALL RAILS USING 1 1/8" SCREWS.



(16) SCREW PFH
8x1-1/8"

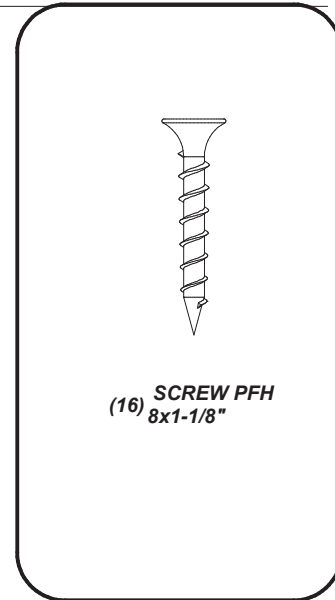
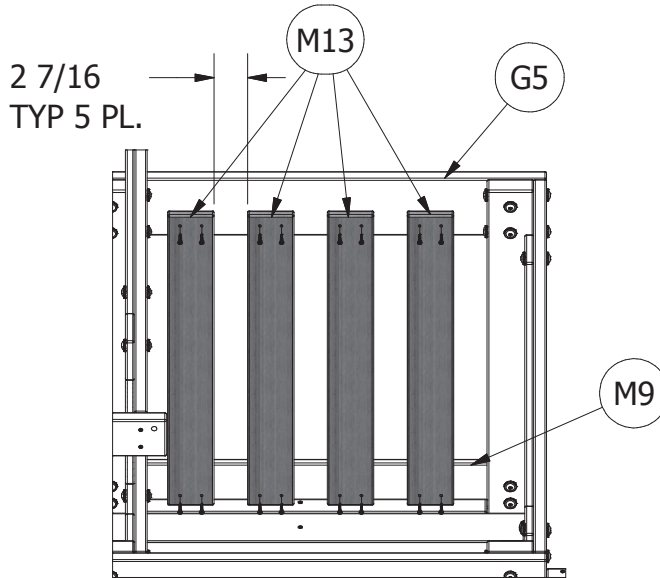
(4) **M13 - WALL SLAT - W102461**
5/8"x3 3/8"x27" (16x86x685)

(4) **H11 - ROOF TRUSS - W102546**
1"x3 3/8"x35" (24x86x890)

(2) **K1 - MENDING PLATE - W102556**
5/8"x5 1/4"x11 3/8" (16x134x290)

STEP 25

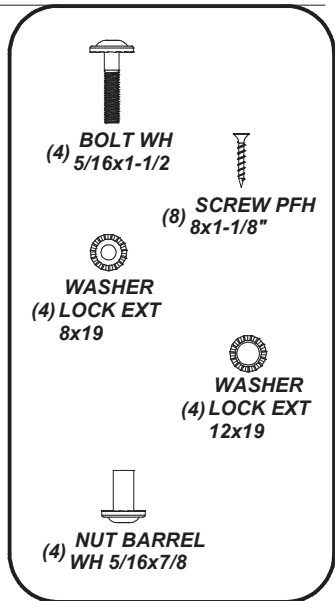
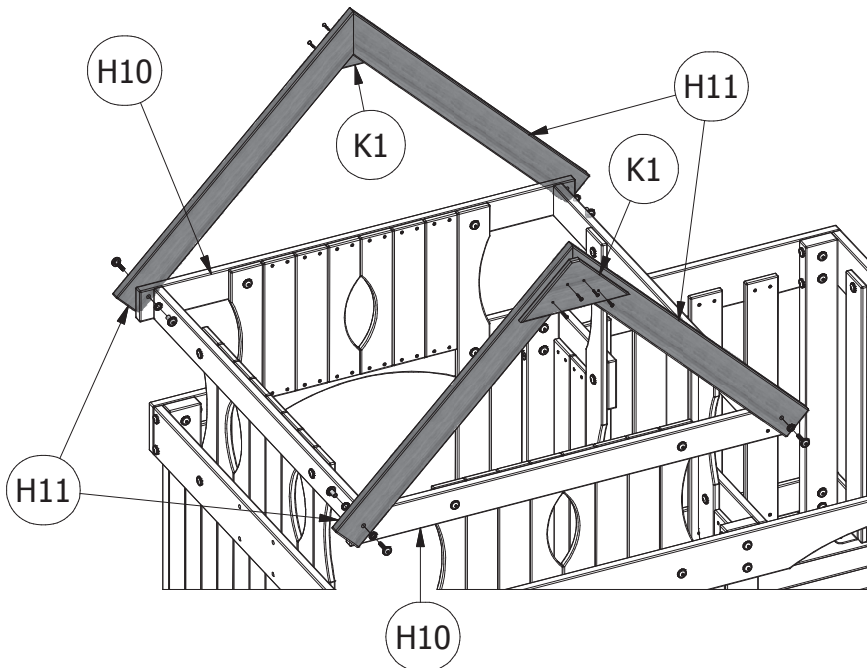
ATTACH M13 WALL SLATS TO G5 & M9 WALL RAILS AS SHOWN USING 1 1/8" SCREWS.



STEP 26

ATTACH H11 ROOF TRUSSES TO H10 ROOF SUPPORTS USING 1 1/2" BOLTS, LOCK WASHERS, AND 7/8" BARREL NUTS. LEAVE SLIGHTLY LOOSE AND ROTATE SO TRUSSES MEET AT A PEAK IN THE CENTER AND THEN TIGHTEN BOLTS.

ATTACH K1 MENDING PLATES TO H11 ROOF TRUSSES USING 1 1/8" SCREWS.



(13) **R1 - ROOF SLAT - W102547**
 3/4"x5 1/2"x50 3/8" (18x140x1280)

(1) **R2 - ARCHED ROOF SLAT - W102548**
 3/4"x5 1/2"x50 3/8" (18x140x1280)

(1) **N4 - ROOF BRACE - W102550**
 5/8"x2 3/8"x34 1/4" (16x60x870)

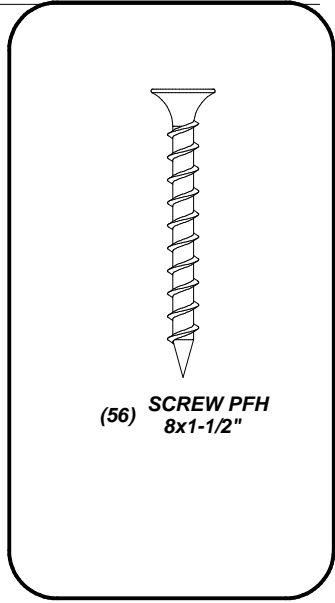
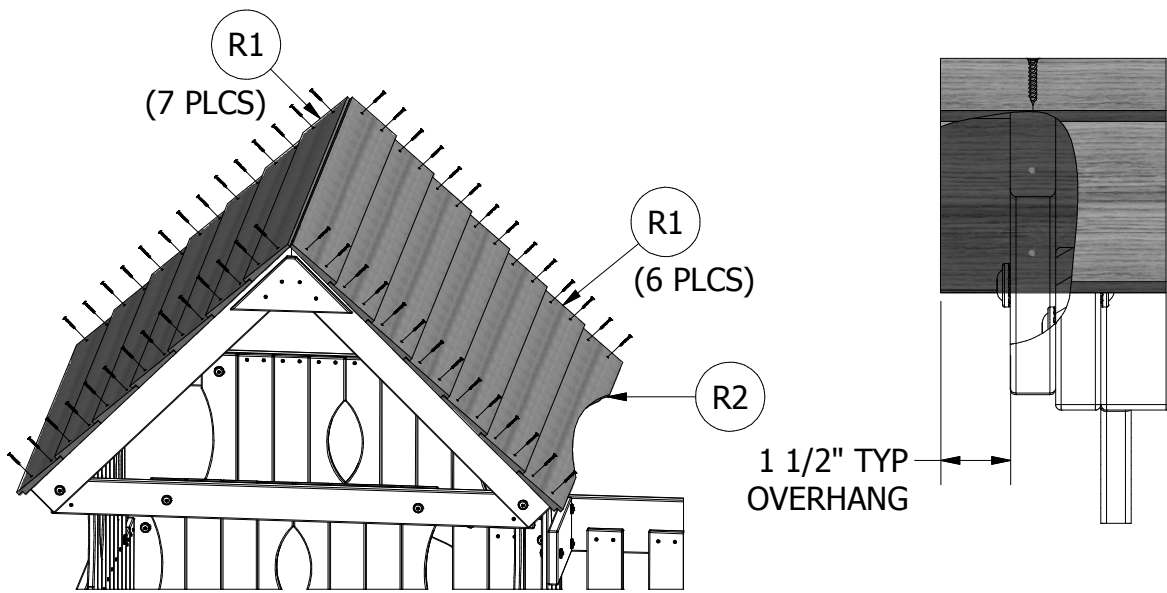
(1) **N3 - ROOF BRACE - W102549**
 5/8"x2 3/8"x32 5/8" (16x60x830)

(1) **EJ - L BRACKET 54x67 - A100053**

STEP 27

STARTING AT THE PEAK OF THE ROOF, ATTACH R1 ROOF SLAT FLUSH AT THE PEAK WITH A 1 1/2" OVERHANG AT THE FRONT AND REAR USING 1 1/2" WOOD SCREWS. (SEE DIAGRAM.)

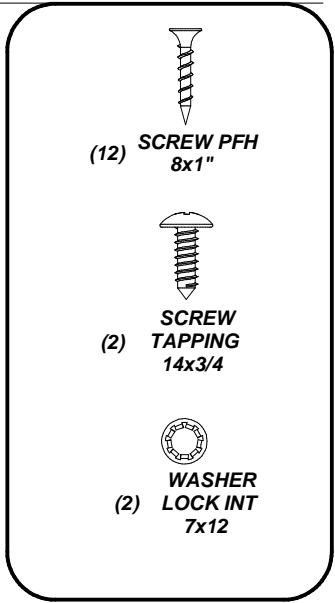
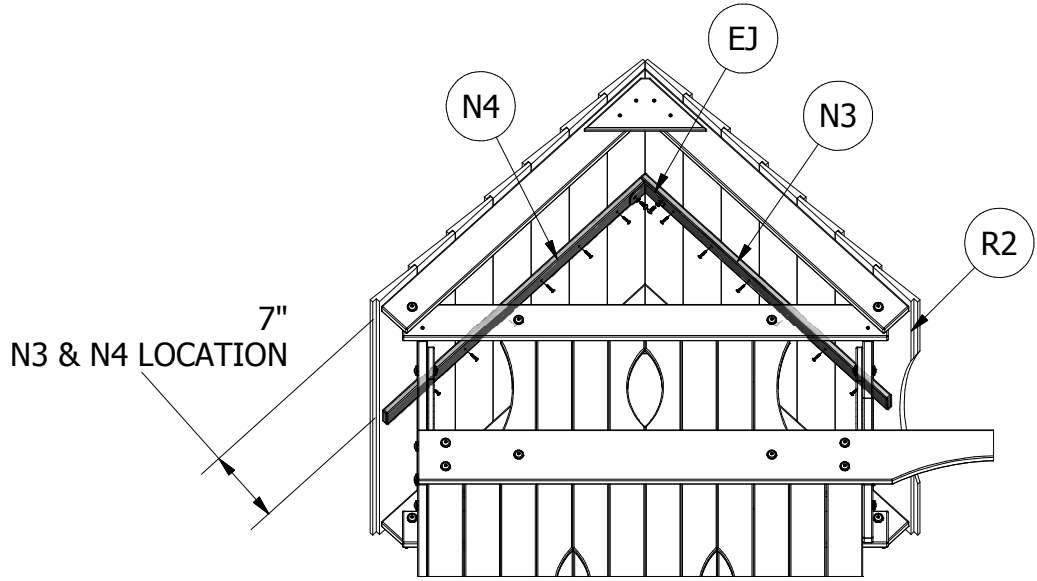
FLUSH (6) REMAINING R1 ROOF SLATS TO THE PREVIOUSLY INSTALLED ROOF SLAT USING 1 1/2" WOOD SCREWS AND THEN REPEAT THE PROCESS FOR THE OPPOSITE SIDE OF ROOF. MAKE SURE TO ATTACH R2 ARCHED ROOF SLAT LAST.



STEP 28

ATTACH N3 & N4 ROOF BRACES TO ROOF SLATS USING 1" WOOD SCREWS, AS SHOWN. (SEE LOCATION DIMENSIONS.)

ATTACH EJ BRACKET TO ROOF BRACES USING 3/4" TAPPING SCREWS AND LOCK WASHERS, AS SHOWN.



(2) **N5 - GABLE BOARD - W102553**
5/8"x2 3/8"x32" (16x60x813)

(2) **M29 - GABLE BOARD - W102551**
5/8"x3 3/8"x45 1/2" (16x86x1157)

(2) **K2 - SUNBURST CENTER PIECE - W102557**
5/8"x5 1/4"x13 3/8" (16x134x340)

(2) **M30 - GABLE BOARD - W102552**
5/8"x3 3/8"x38 3/4" (16x86x985)

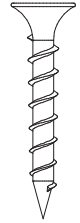
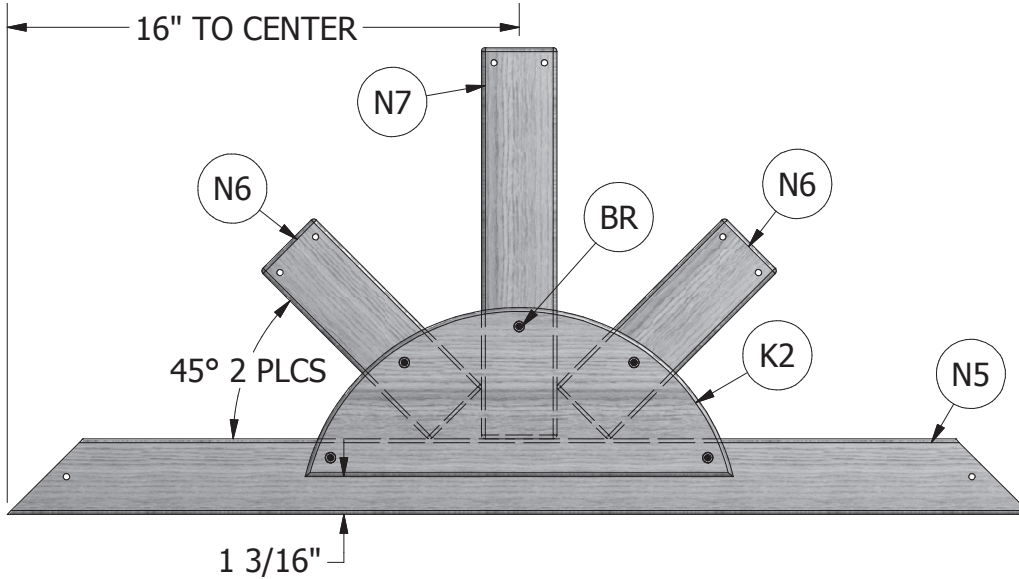
(4) **N6 - SUNBURST BOARD - W102554**
5/8"x2 3/8"x7 1/2" (16x60x190)

(2) **N7 - VERTICAL SUNBURST BOARD - W102555**
5/8"x2 3/8"x12 1/4" (16x60x310)

STEP 29

CENTER AND ATTACH K2 STARBURST CENTER PIECE TO N5 GABLE BOARD & N7 VERTICAL STARBURST BOARD USING 1 1/8" SCREWS, AS SHOWN.

ATTACH N6 STARBURST BOARDS TO K2 STARBURST CENTER PIECE USING 1 1/8" SCREWS, AS SHOWN. REPEAT ENTIRE PROCESS FOR OPPOSITE SIDE GABLE ASSEMBLY.

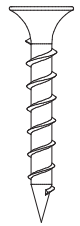
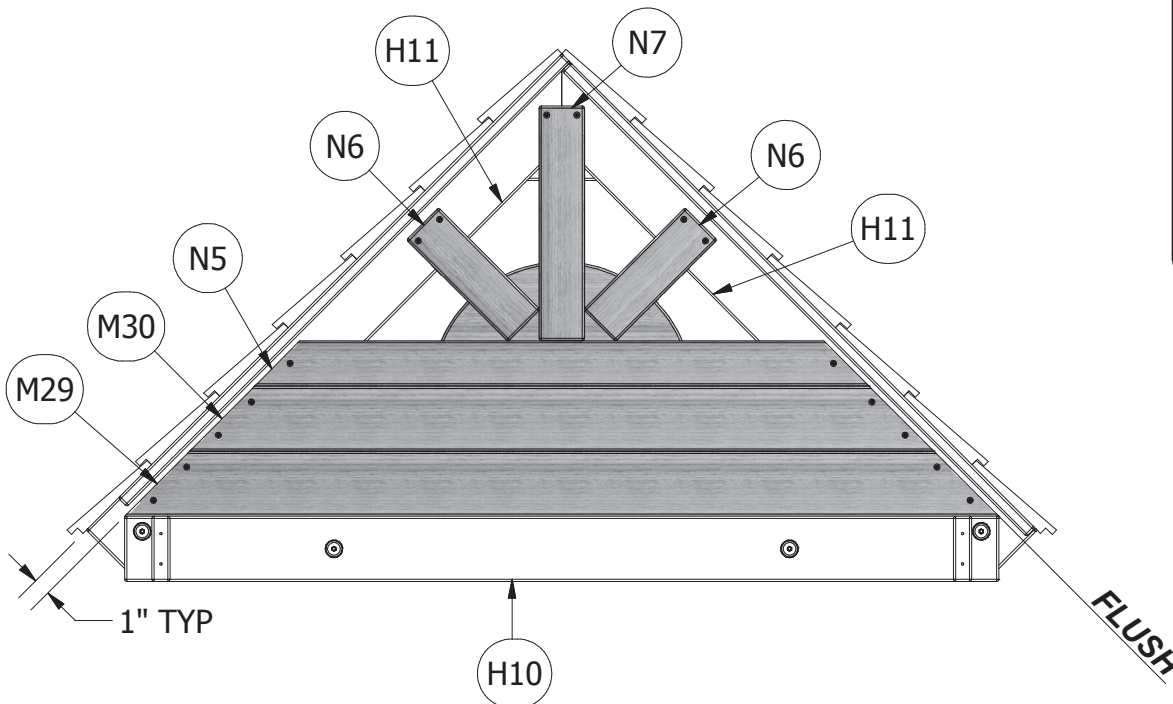


(10) **SCREW PFH**
8x1-1/8"

STEP 30

ATTACH M29 & M30 GABLE BOARDS TO H11 ROOF TRUSSES USING 1 1/8" WOOD SCREWS, AS SHOWN. MAKE SURE THE ANGLED EDGES OF GABLE BOARDS ARE FLUSH BEFORE SECURING.

ATTACH STARBURST SUBASSEMBLY TO H11 ROOF TRUSSES USING 1 1/8" WOOD SCREWS, AS SHOWN. REPEAT ENTIRE PROCESS FOR OPPOSITE SIDE GABLE ASSEMBLY.



(32) **SCREW PFH**
8x1-1/8"

(2) **Q1 - BENCH BOARD - W102502**
1"x4 3/8"x47 1/2" (24x112x1205)

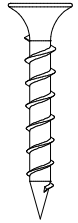
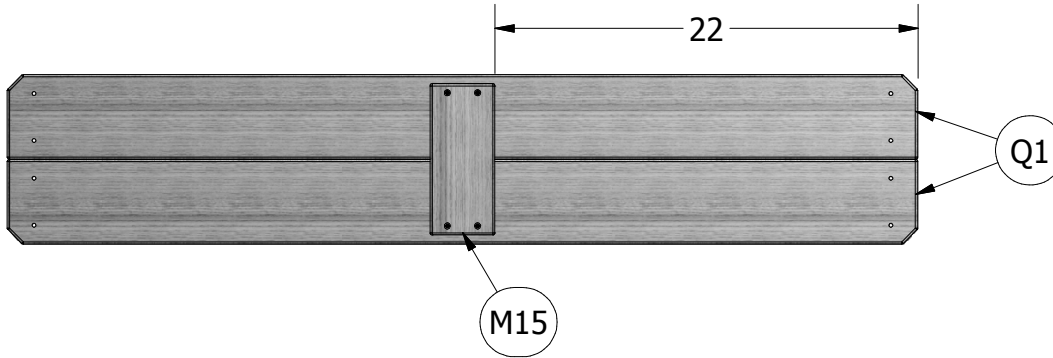
(1) **M15 - BENCH CLEAT - W102503**
5/8"x3 3/8"x7 7/8" (16x86x200)

(2) **H6 - BENCH SUPPORT - W102500**
1"x3 3/8"x14 1/8" (24x86x360)

(2) **H7 - BENCH SUPPORT - W102501**
1"x3 3/8"x8 5/8" (24x86x220)

STEP 31

ATTACH M15 BENCH CLEAT TO (2) Q1 BENCH BOARDS AS SHOWN USING 1 1/8" SCREWS.

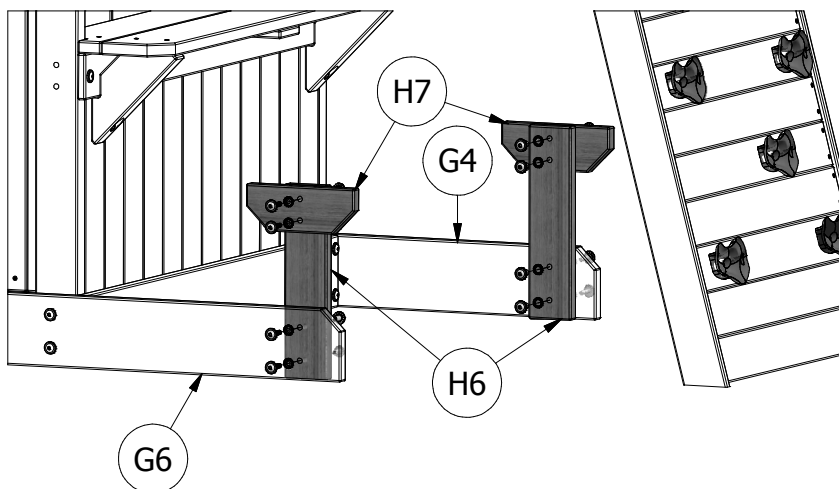


(4) **SCREW PFH**
8x1-1/8"

STEP 32

ATTACH (2) H7 BENCH SUPPORTS TO (2) H6 BENCH SUPPORTS USING 1 1/2" BOLTS, LOCK WASHERS, AND 7/8" BARREL NUTS, AS SHOWN.

ATTACH (2) H6 BENCH SUPPORT SUBASSEMBLIES TO G4 & G6 GROUND BOARDS USING 1 1/2" BOLTS, LOCK WASHERS, AND 7/8" BARREL NUTS, AS SHOWN.



(8) **BOLT WH**
5/16x1-1/2



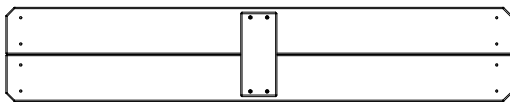
(8) **WASHER**
LOCK EXT
8x19



(8) **WASHER**
LOCK EXT
12x19



(8) **NUT BARREL**
WH 5/16x7/8



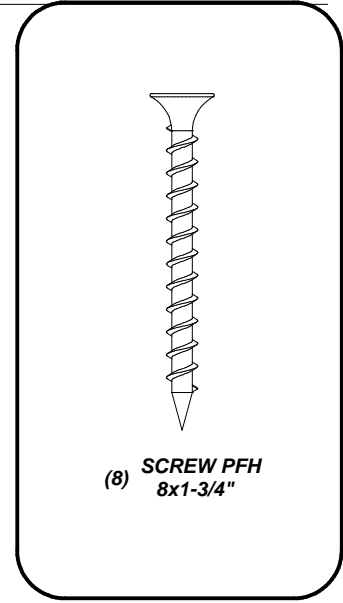
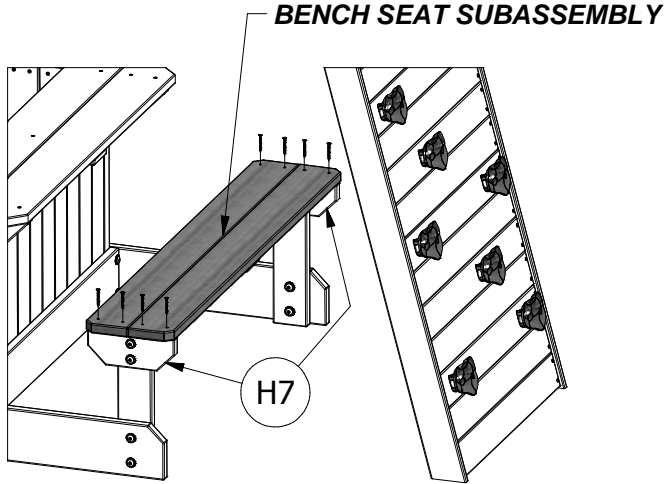
(1) BENCH SEAT SUBASSEMBLY



(2) M3 - WALL RAIL - W102442
5/8"x3 3/8"x10 7/8" (16x86x276)

STEP 33

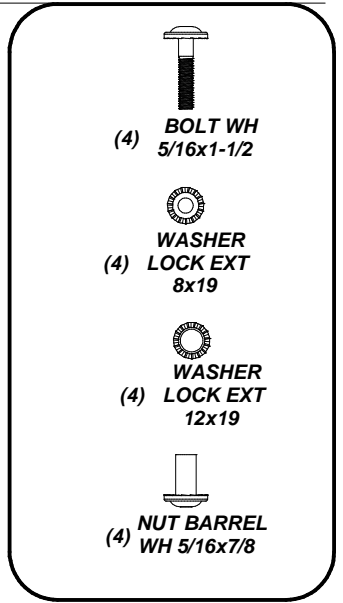
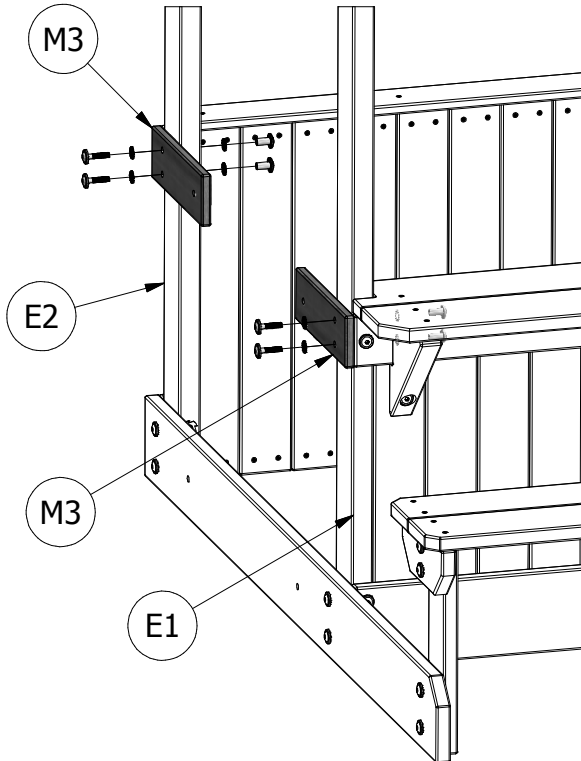
ATTACH BENCH SEAT SUBASSEMBLY TO H7 BENCH SUPPORTS AS SHOWN USING 1 3/4" WOOD SCREWS.



(8) SCREW PFH
8x1-3/4"

STEP 34

ATTACH (2) M3 WALL RAILS TO E1 & E2 FORT UPRIGHTS USING 1 1/2" BOLTS, LOCK WASHERS, AND 7/8" BARREL NUTS, AS SHOWN.



(4) BOLT WH
5/16x1-1/2

(4) WASHER
LOCK EXT
8x19

(4) WASHER
LOCK EXT
12x19

(4) NUT BARREL
WH 5/16x7/8

(1) H5 - WALL SLAT - W102454
1"x3 3/8"x55 5/8" (24x86x1414)

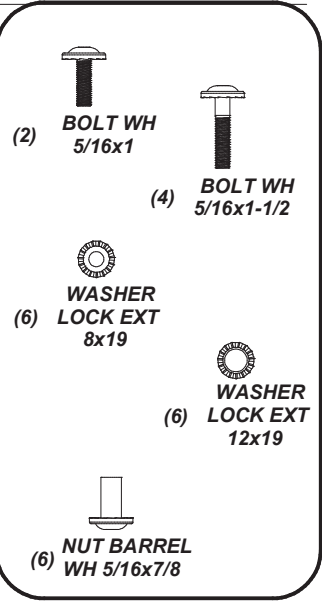
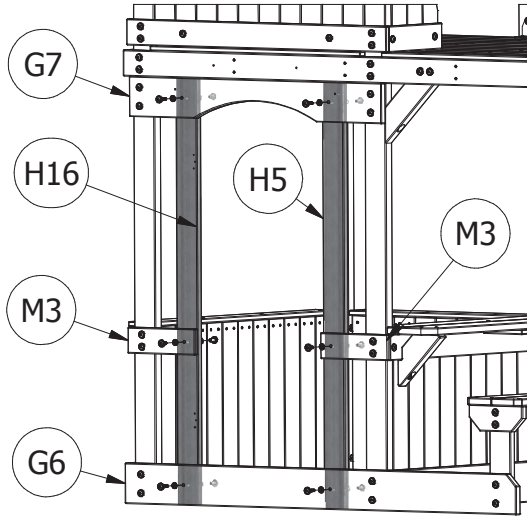
(1) H16 - WALL SLAT - W102628
1"x3 3/8"x55 5/8" (24x86x1414)

(2) M8 - WALL SLAT - W102455
5/8"x3 3/8"x55 5/8" (16x86x1414)

STEP 35

ATTACH H5 & H16 WALL SLATS TO G6 GROUND BOARD AND G7 CENTER ARCH WALL RAIL AS SHOWN USING 1 1/2" BOLTS, LOCK WASHERS, AND 7/8" BARREL NUTS.

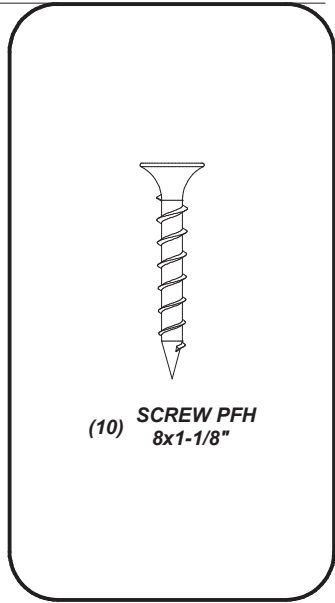
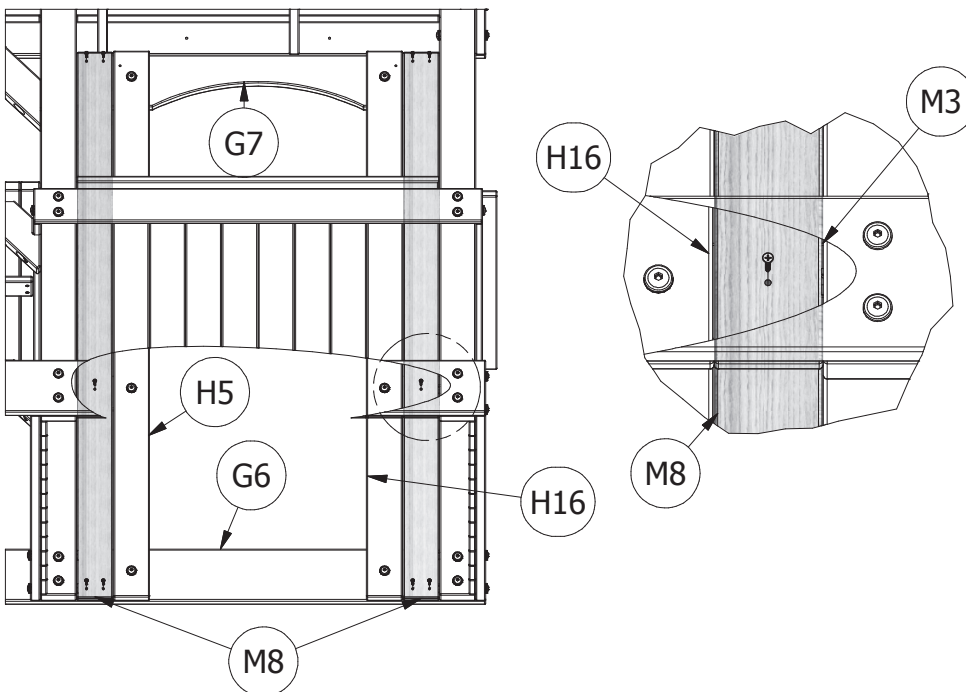
ATTACH H5 & H16 WALL SLATS TO M3 WALL RAIL AS SHOWN USING 1" BOLTS, LOCK WASHERS, AND 7/8" BARREL NUTS.



STEP 36

PUSH (2) M8 WALL SLATS FLUSH TO H5 & H16 WALL SLATS AND ATTACH TO G6 GROUND BOARD AND G7 CENTER ARCH WALL RAIL USING 1 1/8" WOOD SCREWS, AS SHOWN.

ATTACH M8 WALL SLATS TO M3 WALL RAILS (HIDDEN) USING (1) 1 1/8" SCREW IN EACH M8 WALL SLAT, AS SHOWN.



(1) **G14 - OVERHANG BOARD - W102588**
1"x5 1/4"x3 1/2" (24x134x90)

(1) **G13 - OVERHANG BOARD - W102587**
1"x5 1/4"x13 3/4" (24x134x350)

(1) **G15 - OVERHANG BOARD - W102589**
1"x5 1/4"x3 1/2" (24x134x90)

(1) **G12 - OVERHANG BOARD - W102586**
1"x5 1/4"x13 3/4" (24x134x350)

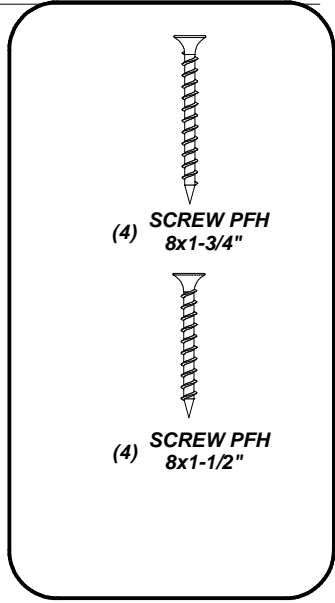
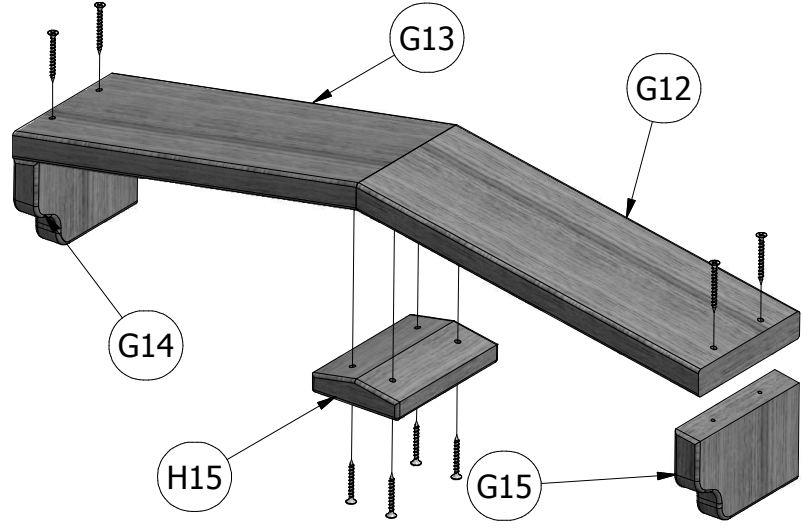
(1) **H15 - OVERHANG CLEAT - W102627**
1"x3 3/8"x5 1/4" (24x86x134)

STEP 37

ATTACH G12 & G13 OVERHANG BOARDS TO H15 CLEAT USING 1 1/2" SCREWS, AS SHOWN.

ATTACH G13 BOARD TO G14 OVERHANG BOARD USING 1 3/4" SCREWS, AS SHOWN.

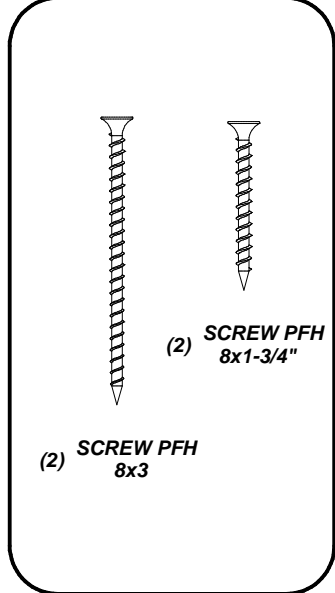
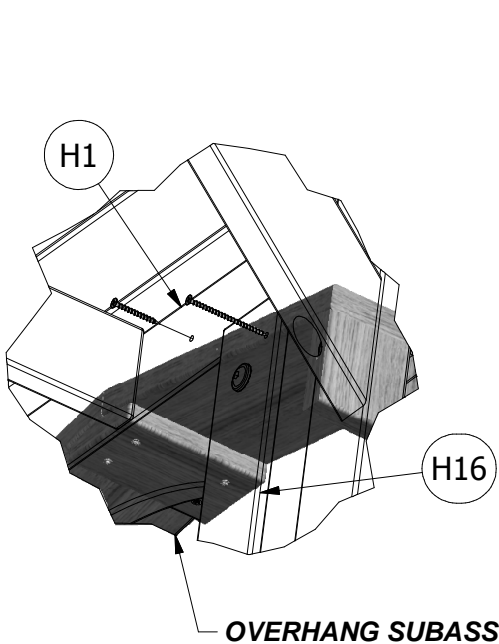
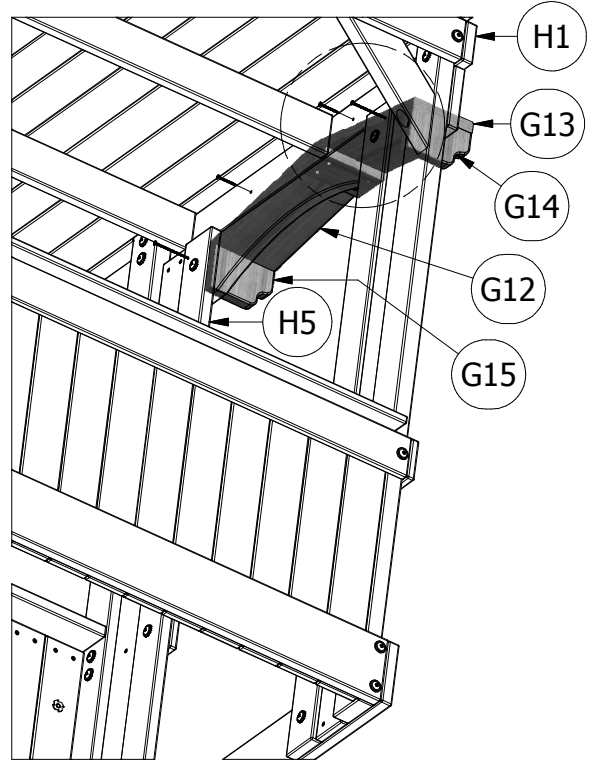
ATTACH G12 BOARD TO G15 OVERHANG BOARD USING 1 3/4" SCREWS, AS SHOWN.



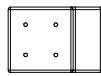
STEP 38

ATTACH ROOF OVERHANG SUBASSEMBLY TO H1 FLOOR SUPPORT USING 1 3/4" WOOD SCREWS, AS SHOWN.

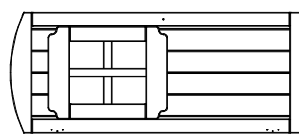
ATTACH ROOF OVERHANG SUBASSEMBLY TO H5 & H16 WALL SLATS USING 3" WOOD SCREWS, AS SHOWN.



OVERHANG SUBASSEMBLY



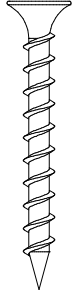
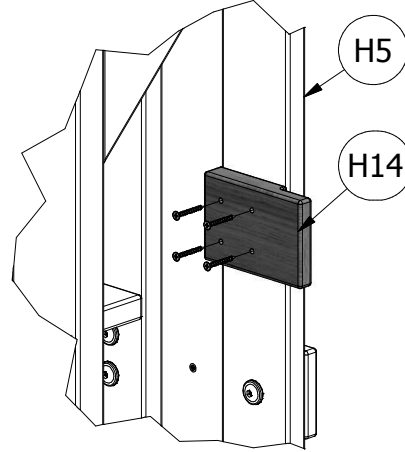
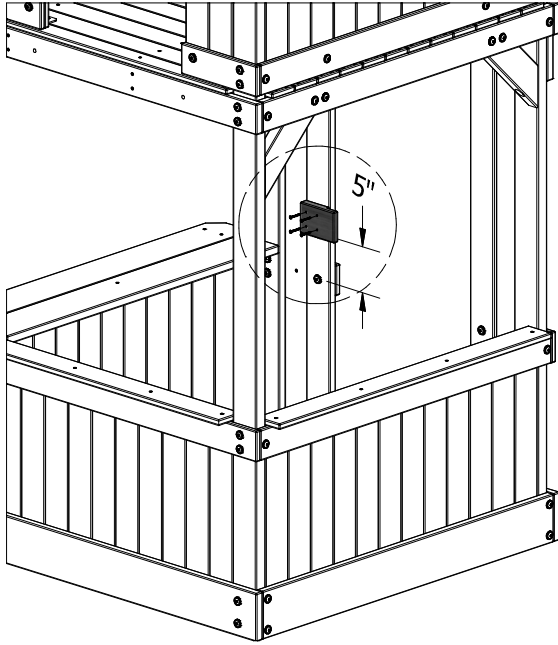
(1) **H14 - DOOR STOP - W102590**
1"x3 3/8"x4 7/8" (24x86x125)



(1) **WP1 CABIN DOOR ASSEMBLY**

STEP 39

ATTACH H14 DOOR STOP TO H5 WALL SLAT AS SHOWN USING 1 1/2" SCREWS.

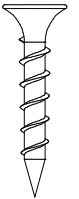
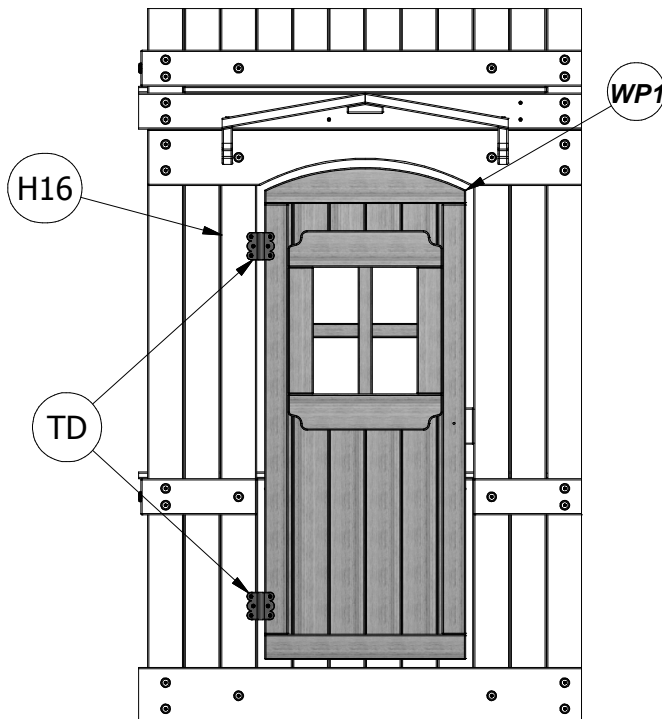


(4) **SCREW PFH**
8x1-1/2"

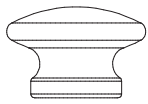
STEP 40

ATTACH TD HINGES TO WP1 CABIN DOOR ASSEMBLY USING 1" WOOD SCREWS, AS SHOWN.

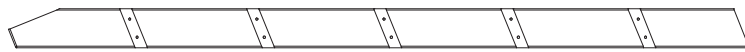
ATTACH WP1 CABIN DOOR ASSEMBLY TO H16 WALL SLAT USING 1" WOOD SCREWS THROUGH TD HINGES, AS SHOWN.



(12) **SCREW PFH**
8x1"



(1) HZ - KNOB - A100071



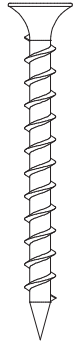
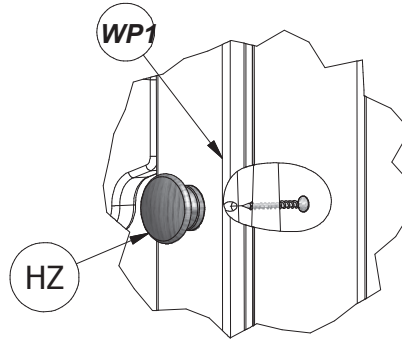
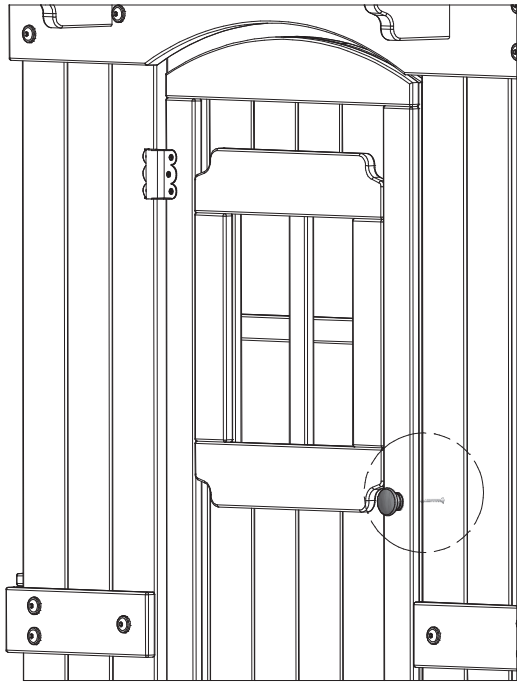
(1) E7 - LEFT LADDER RAIL - W102584
1 3/8"x3 3/8"x64 3/8" (36x86x1634)



(5) H13 - LADDER RUNG - W102583
1"x3 3/8"x21 1/8" (24x86x536)

STEP 41

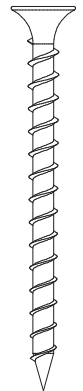
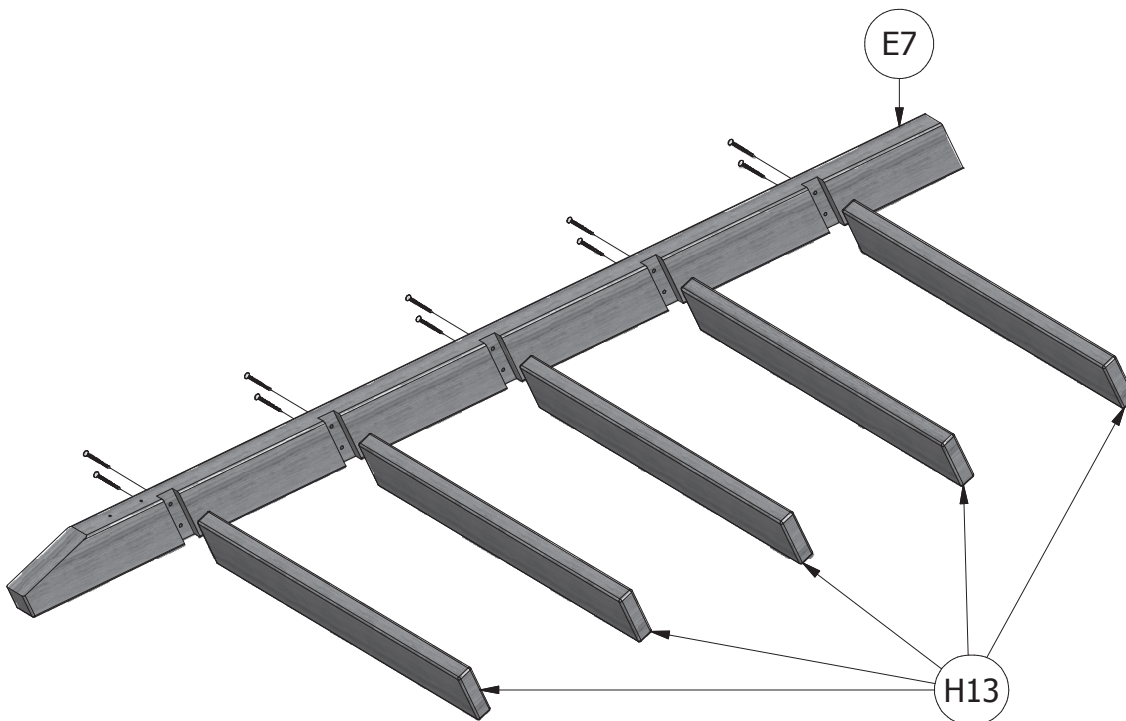
ATTACH HZ DOOR KNOB TO WP1 DOOR ASSEMBLY USING 1 3/4" SCREWS, AS SHOWN.



(1) SCREW PFH
8x1-3/4"

STEP 42

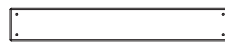
ATTACH (5) H13 LADDER RUNGS TO E7 LEFT LADDER RAIL USING 2" WOOD SCREWS, AS SHOWN.



(10) SCREW PFH
8x2



(1) **E8 - RIGHT LADDER RAIL - W102585**
1 3/8"x3 3/8"x64 3/8" (36x86x1634)



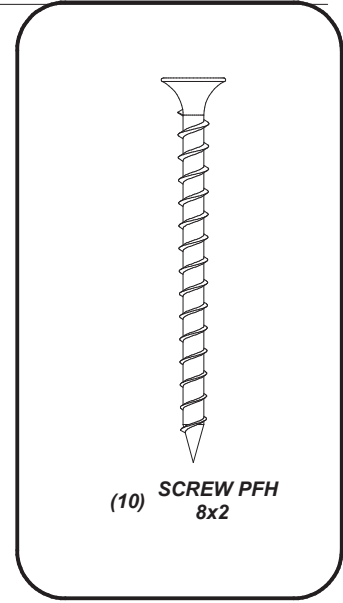
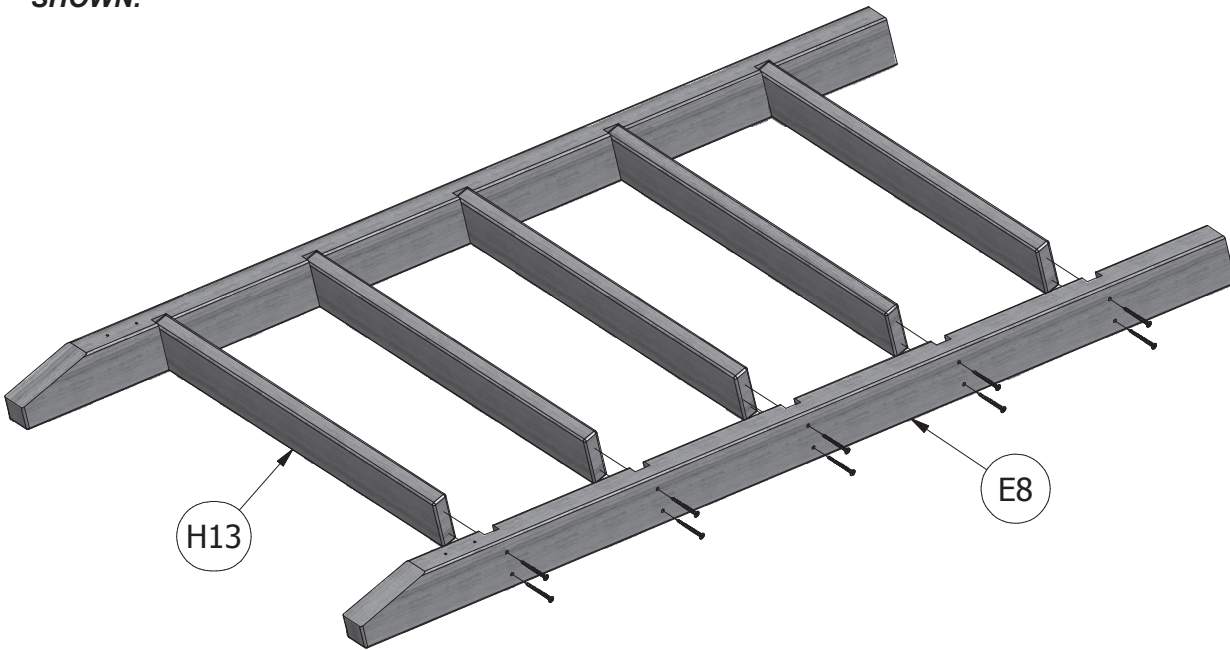
(1) **M31 - REAR SUPPORT - W102582**
5/8"x3 3/8"x22 7/8" (16x86x582)



(2) **TA - METAL LADDER RAIL - Y35-24.75G - A100324**

STEP 43

ATTACH E8 RIGHT LADDER UPRIGHT TO H13 LADDER RUNGS USING 2" SCREWS, AS SHOWN.

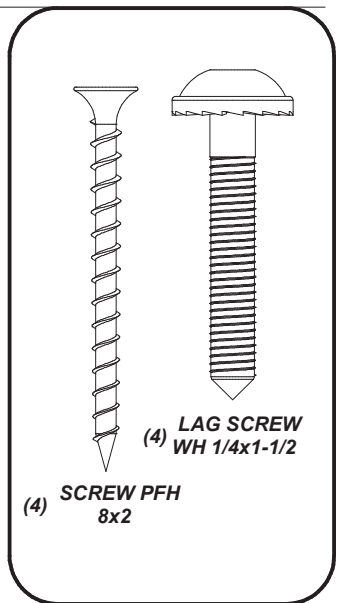
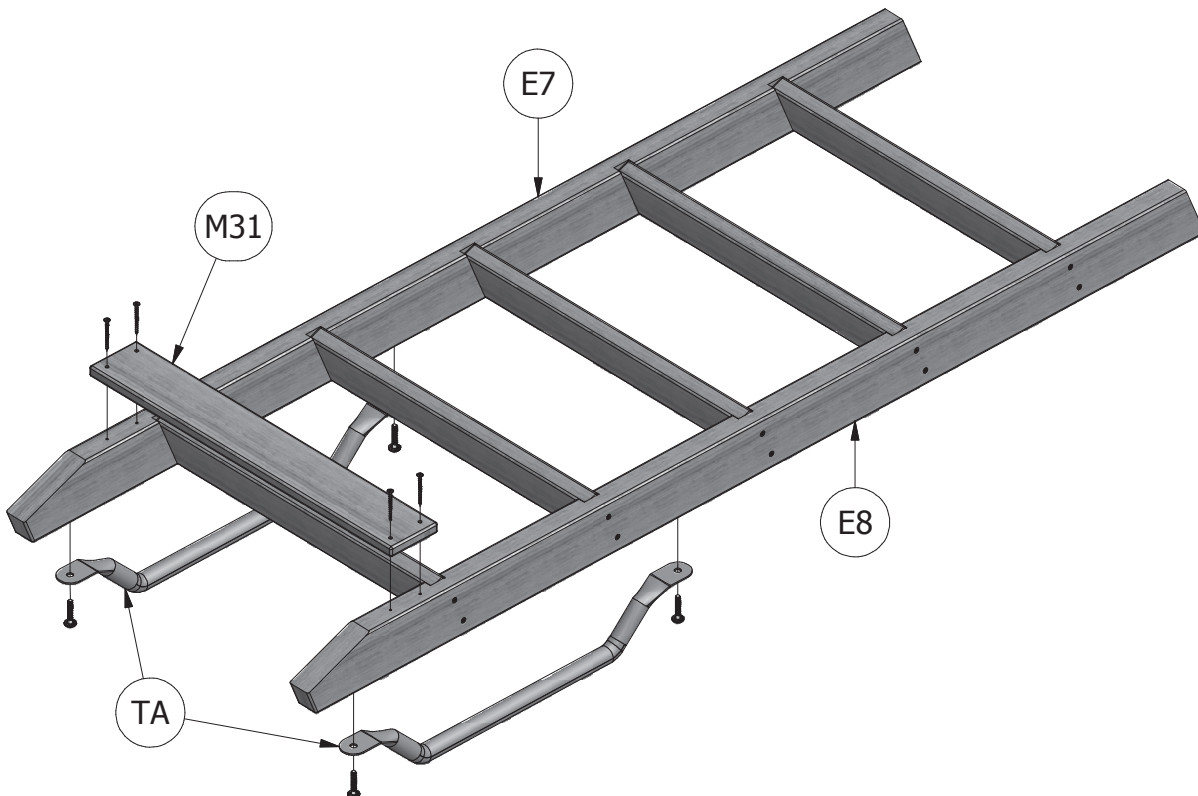


(10) **SCREW PFH**
8x2

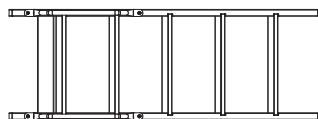
STEP 44

ATTACH M31 REAR SUPPORT TO E7 & E8 LADDER UPRIGHTS USING 2" WOOD SCREWS, AS SHOWN.

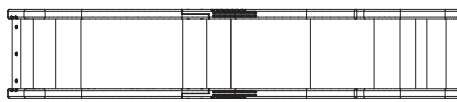
ATTACH (1) TA METAL LADDER RAIL TO EACH E7 & E8 LADDER UPRIGHT USING 1-1/2" LAG SCREWS, AS SHOWN.



(4) **LAG SCREW**
WH 1/4x1-1/2
(4) **SCREW PFH**
8x2



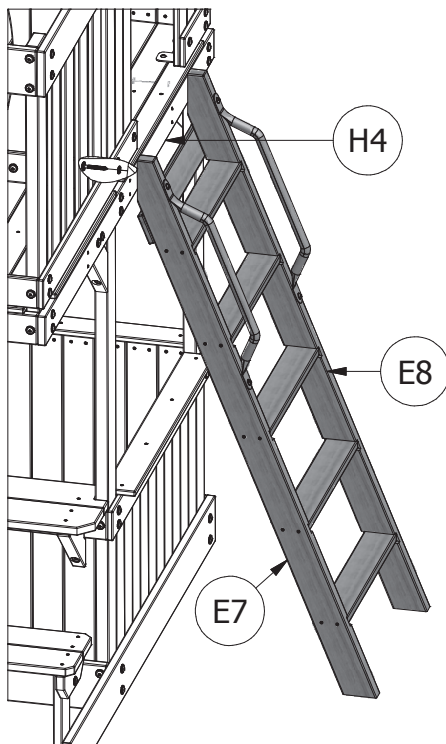
(1) LADDER ASSEMBLY



(1) SLIDE ASSEMBLY

STEP 45

ATTACH LADDER ASSEMBLY TO H4 FLOOR SUPPORT USING 2-1/2" LAG SCREWS AND WASHERS, AS SHOWN.



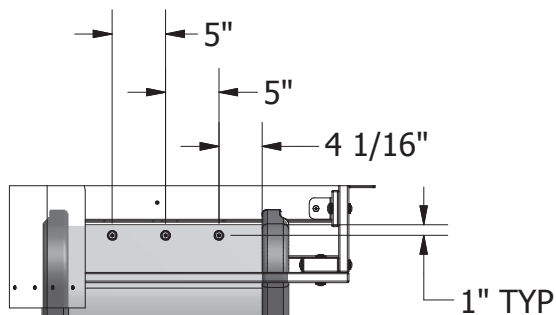
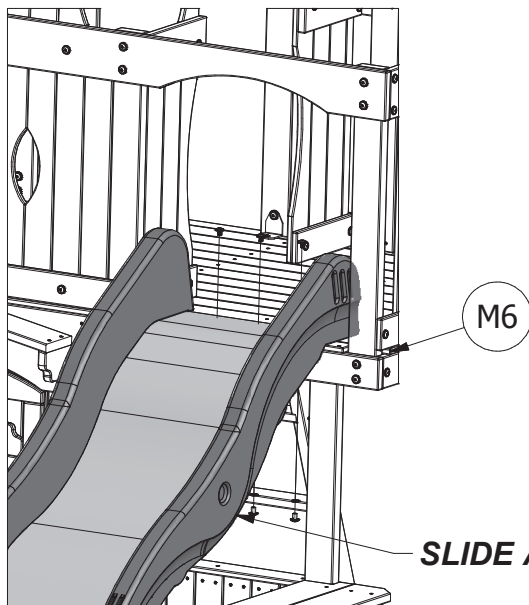
(2) LAG SCREW
WH 5/16x2-1/2



(2) WASHER
LOCK EXT
8x19

STEP 46

CENTER SLIDE ASSEMBLY IN OPENING. USING SLIDE ASSEMBLY AS A TEMPLATE, DRILL THREE 10 MM HOLES THROUGH THE SLIDE AND THE M6 FLOOR BOARD. ATTACH SLIDE ASSEMBLY TO M6 FLOOR BOARD USING 1/2" BOLT, WASHER AND 5/8" BARREL NUT, AS SHOWN. (SEE HOLE LOCATION DIAGRAM BELOW FOR PLACEMENT).



HOLE LOCATION DIAGRAM



(3) BOLT WH
5/16x1/2

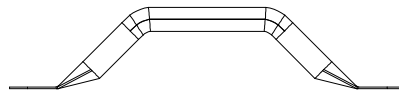


(3) WASHER
LOCK EXT
12x19



(3) NUT BARREL
WH 5/16x5/8

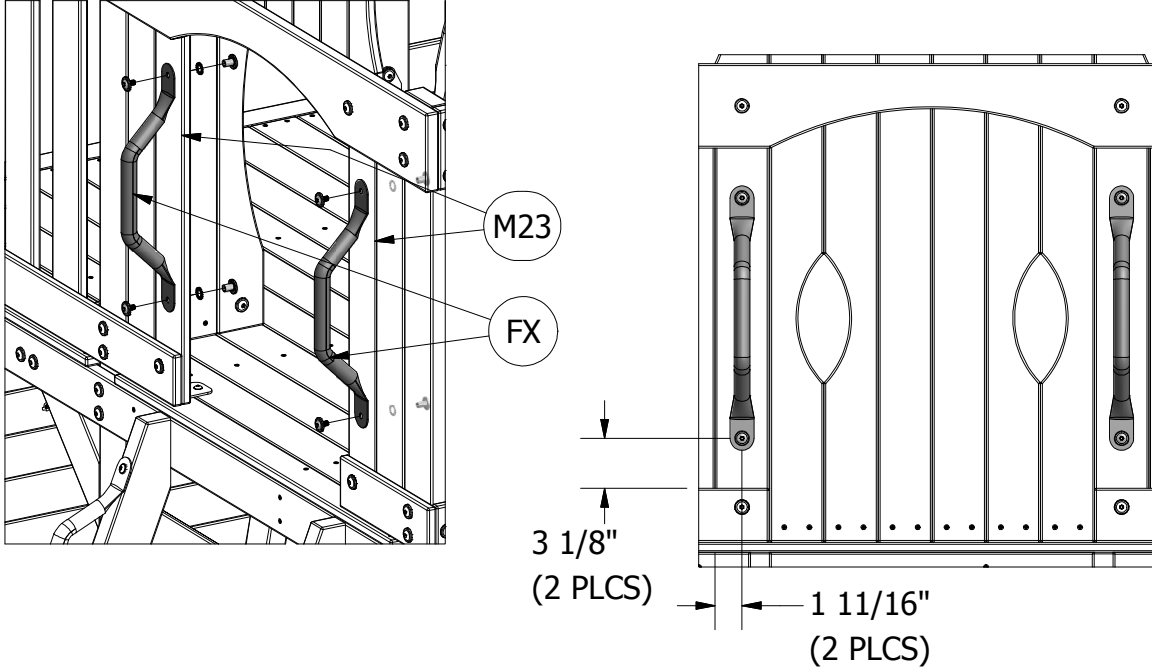
SLIDE ASSEMBLY



(4) FX - HAND GRIP METAL GREEN 381 c/c - A100118

STEP 47

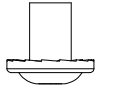
USING FX METAL HAND GRIPS AS A TEMPLATE, PRE-DRILL USING A 3/8" DRILL BIT AND ATTACH FX METAL HAND GRIPS TO M23 WALL SLATS USING 1/2" BOLTS, LOCK WASHERS & 5/8" BARREL NUTS, AS SHOWN. (SEE DIAGRAM FOR MOUNTING LOCATION).



(4) BOLT WH
5/16x1/2



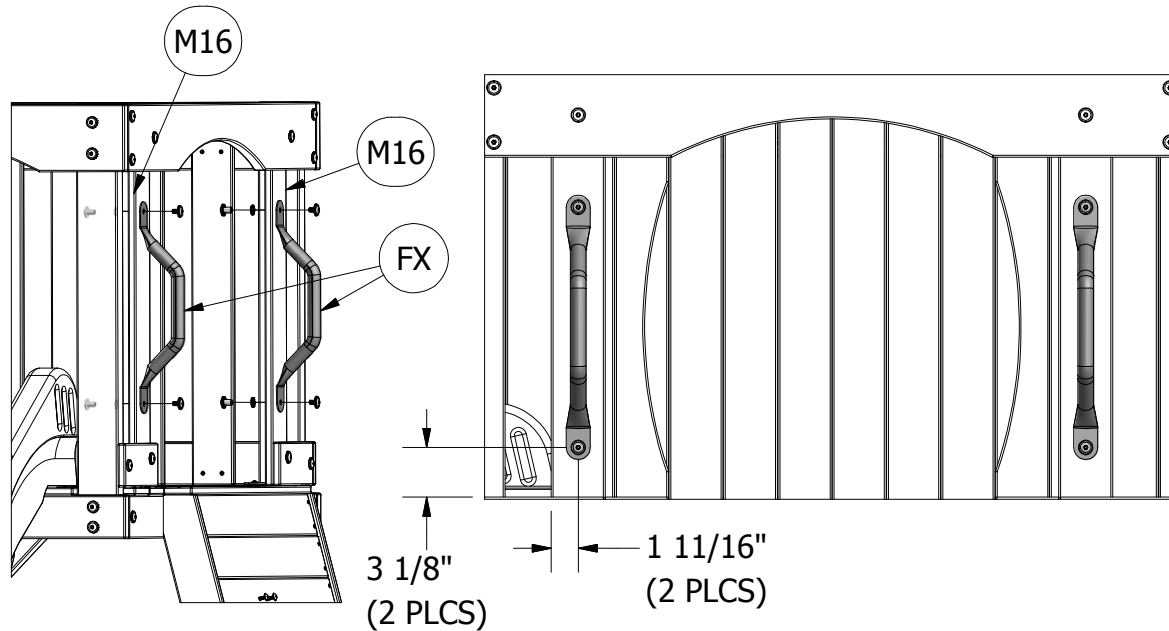
WASHER
LOCK EXT
12x19



(4) NUT BARREL
WH 5/16x5/8

STEP 48

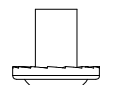
USING FX METAL HAND GRIPS AS A TEMPLATE, PRE-DRILL USING A 3/8" DRILL BIT AND ATTACH FX METAL HAND GRIPS TO M16 WALL SLATS USING 1/2" BOLTS, LOCK WASHERS & 5/8" BARREL NUTS, AS SHOWN. (SEE DIAGRAM FOR MOUNTING LOCATION).



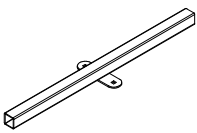
(4) BOLT WH
5/16x1/2



WASHER
LOCK EXT
12x19



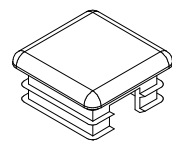
(4) NUT BARREL
WH 5/16x5/8



(2) EW - GLIDER SUPPORT BYD GREEN - A100065



(4) EX - GLIDER BUSHING BYD GREEN - A100066



(4) EY - TUBING CAP GLIDER SUPPORT - A100067

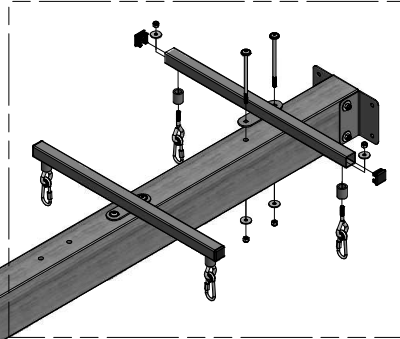
STEP 49

ATTACH (2) EW GLIDER SUPPORTS TO SWING BEAM ASSEMBLY USING 5-3/4" BOLTS, FLAT WASHERS & 5/16" LOCK NUTS, AS SHOWN.

INSERT SWING HANGER QUICK LINK THROUGH EX GLIDER BUSHING AND EW GLIDER SUPPORT AND ATTCH USING FLAT WASHER AND 5/16" LOCK NUT, AS SHOWN.

INSERT EY GLIDER SUPPORT CAP INTO BOTH ENDS OF EW GLIDER SUPPORT, AS SHOWN. REPEAT ENTIRE PROCESS FOR SECOND GLIDER SUPPORT.

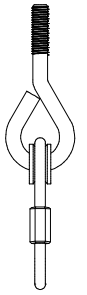
SWING BEAM ASSEMBLY



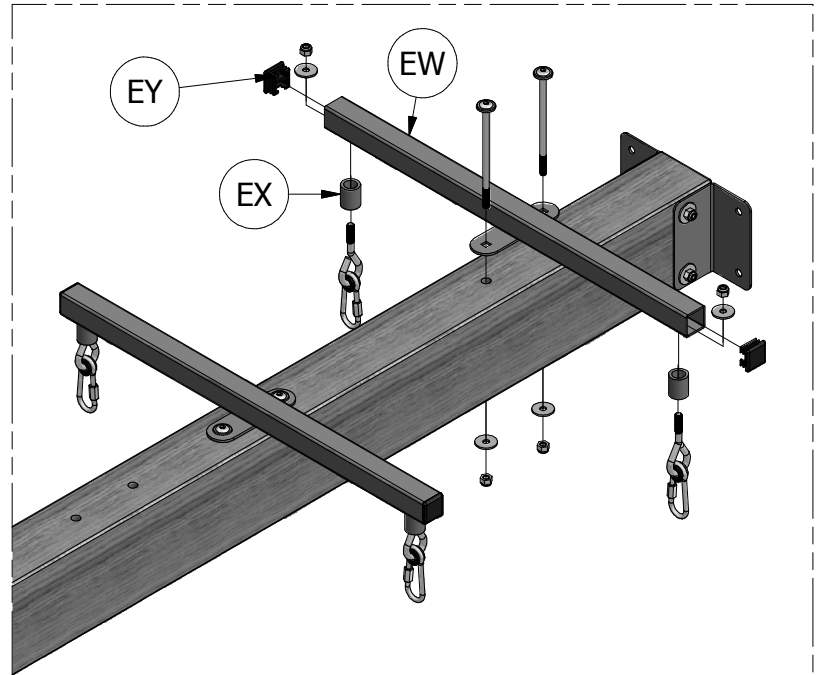
(4) BOLT WH 5/16x5-3/4

(8) WASHER FLAT 8x27

(8) NUT LOCK 5/16



(4) SWING HANGER QUICK LINK





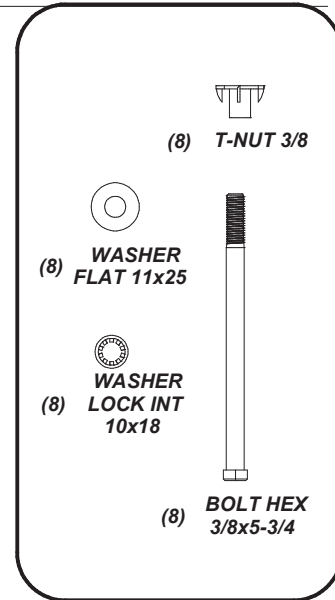
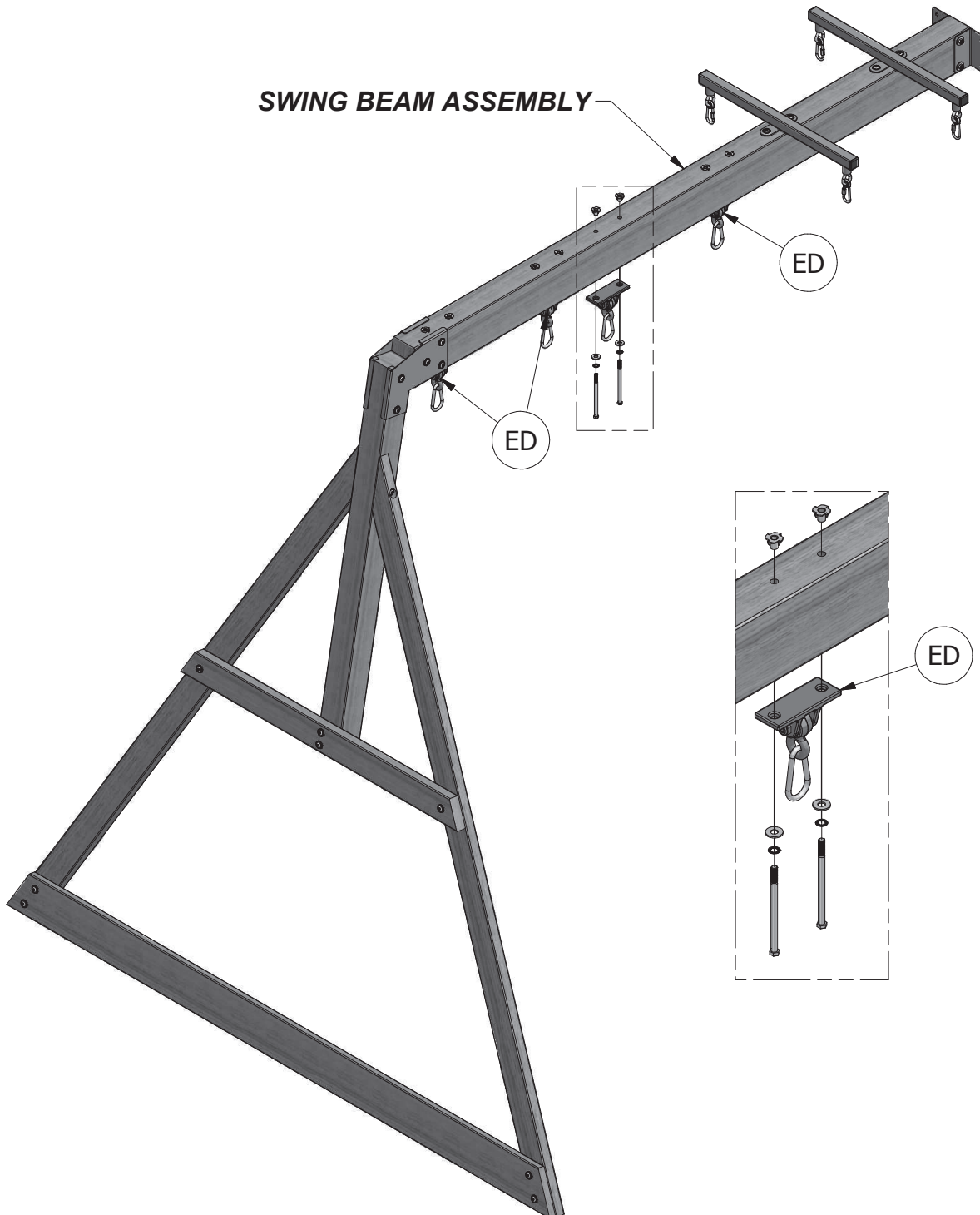
(4) ED - SINGLE DUCTILE HANGER - A100046

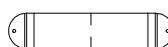
STEP 50

INSERT (8) 3/8" T-NUTS INTO THE TOP EDGE OF THE SWING BEAM ASSEMBLY USING A HAMMER.

ATTACH (4) ED DUCTILE HANGERS TO THE SWING BEAM ASSEMBLY USING 5-3/4" HEX BOLTS AND WASHERS, AS SHOWN.

SWING BEAM ASSEMBLY





(1) DN - GLIDER SEAT DARK GREEN - A100025

(2) DP - SWING SEAT GREEN - A100027

(2) EF - CHAIN GREEN 57" - A100047

(2) DO - CAPTAINS GLIDER ARM YELLOW - A100026

(4) EZ - CHAIN GREEN 51.25" - A100068

(8) FA - QUICK LINK - A100069

STEP 51

ATTACH DO CAPTAINS GLIDER ARMS TO DN GLIDER SEAT USING 5-3/4" BOLTS, WASHERS & 5/16" LOCK NUTS, AS SHOWN.

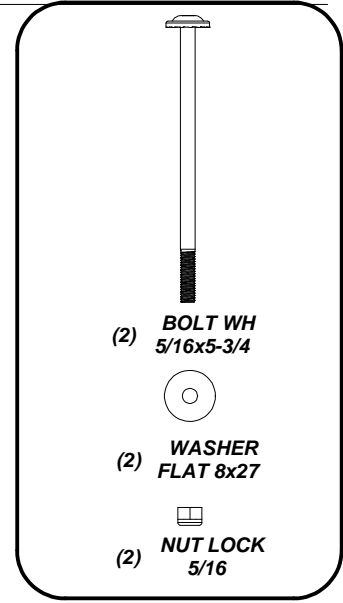
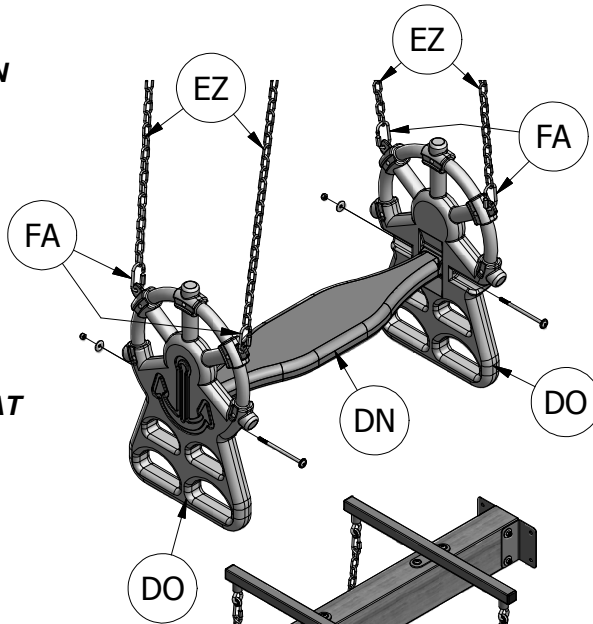
ATTACH EZ 51.25" CHAIN TO GLIDER ARMS USING FA QUICK LINKS, AS SHOWN.

ATTACH THE OPPOSITE END OF EZ CHAIN TO GLIDER SUPPORTS LOCATED ON THE SWING BEAM, AS SHOWN.

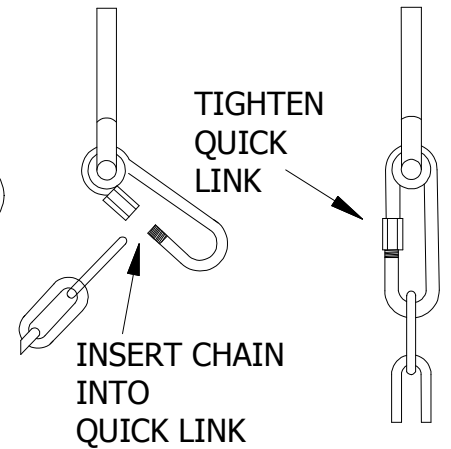
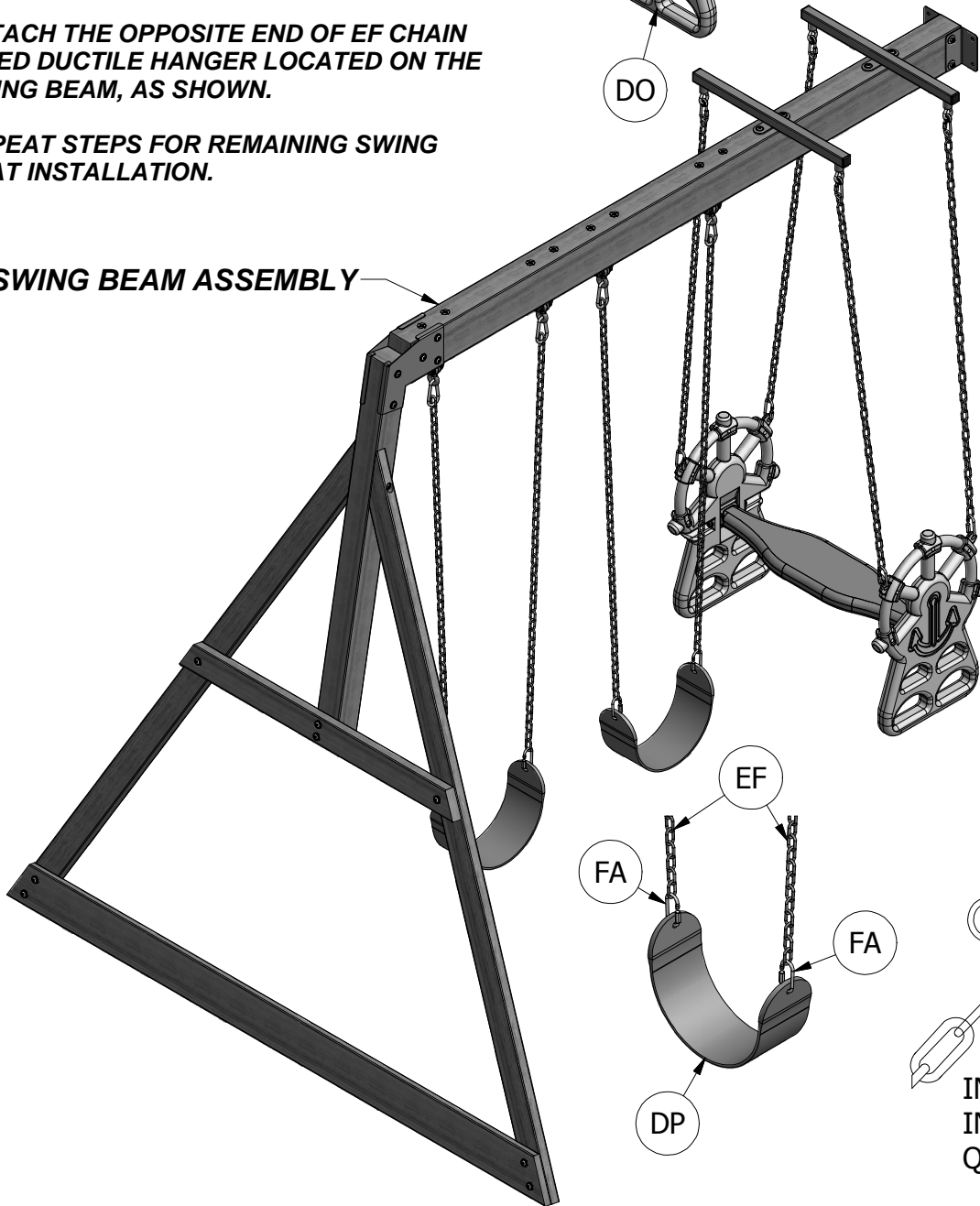
ATTACH FA QUICK LINKS TO DP SWING SEAT AND EF 57" CHAIN TO FA QUICK LINKS, AS SHOWN.

ATTACH THE OPPOSITE END OF EF CHAIN TO ED DUCTILE HANGER LOCATED ON THE SWING BEAM, AS SHOWN.

REPEAT STEPS FOR REMAINING SWING SEAT INSTALLATION.



SWING BEAM ASSEMBLY

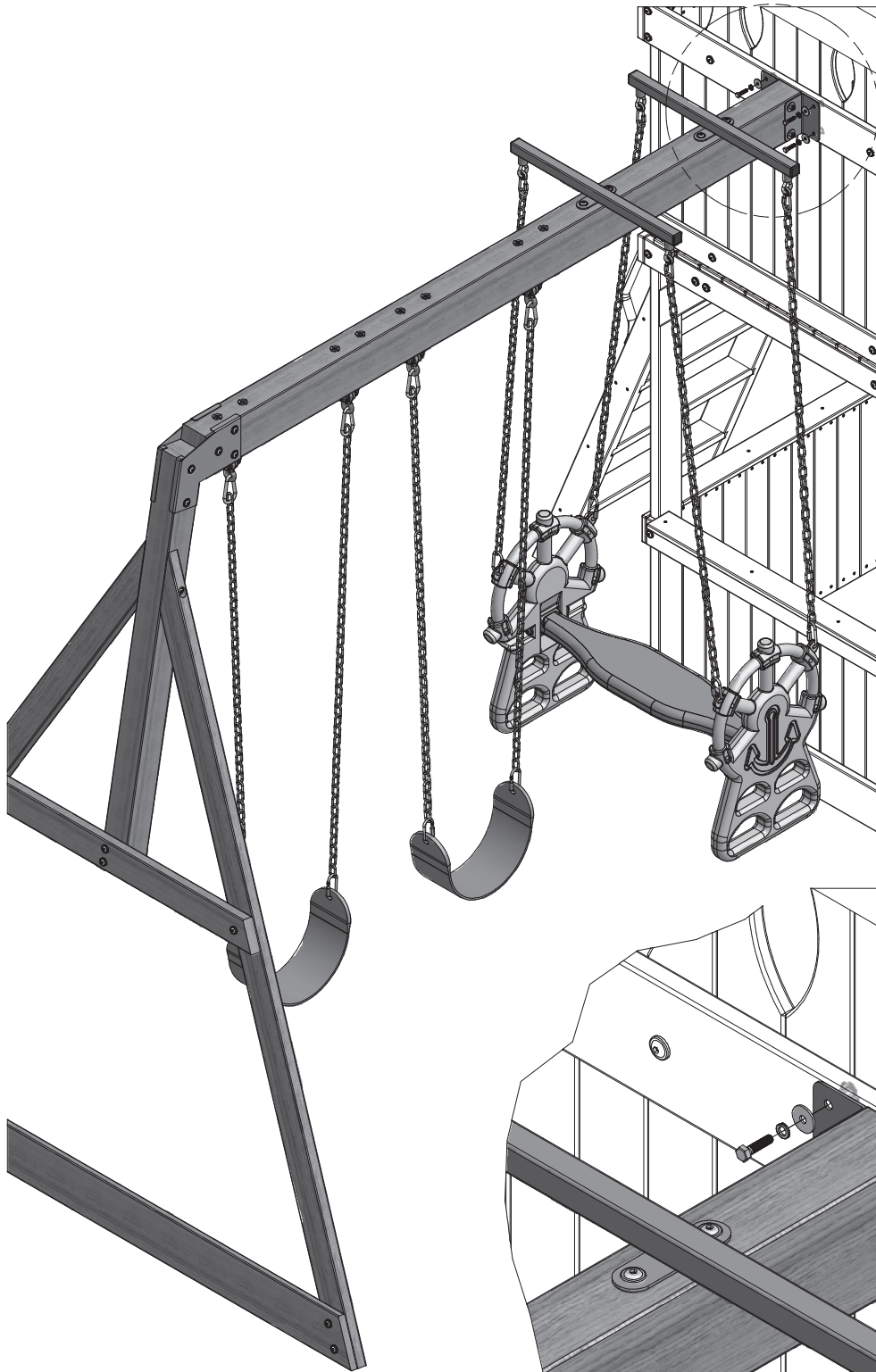


TIGHTEN QUICK LINK

INSERT CHAIN INTO QUICK LINK

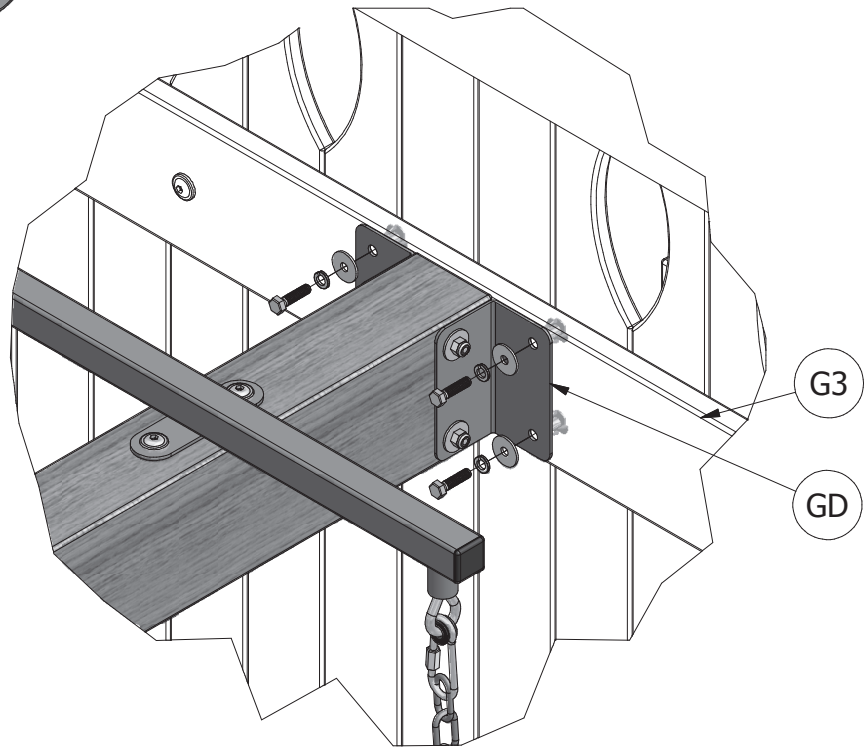
STEP 52

ATTACH SWING BEAM ASSEMBLY TO FORT BY INSERTING 1-1/4" HEX BOLTS, SPLIT WASHERS & FLAT WASHERS THROUGH GD L BRACKET AND G3 WALL RAIL INTO PREVIOUSLY ASSEMBLED T-NUTS, AS SHOWN.



A detailed view of the hardware used for the assembly. It shows a hex bolt, a split washer, and a flat washer. The bolt is shown with its hex head and threaded shaft. The split washer is a circular washer with a hole in the center. The flat washer is a solid circular washer. The quantities for each are listed as (4).

- (4) BOLT HEX 5/16x1-1/4
- (4) WASHER SPLIT 5/16
- (4) WASHER FLAT 8x27





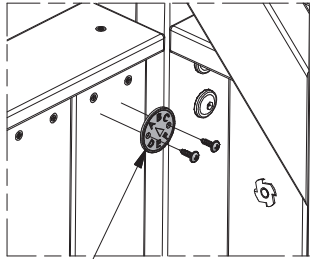
(1) SQ - "A" REVISION TAG - A100314

(1) EH - LTP ID TAG - A100051

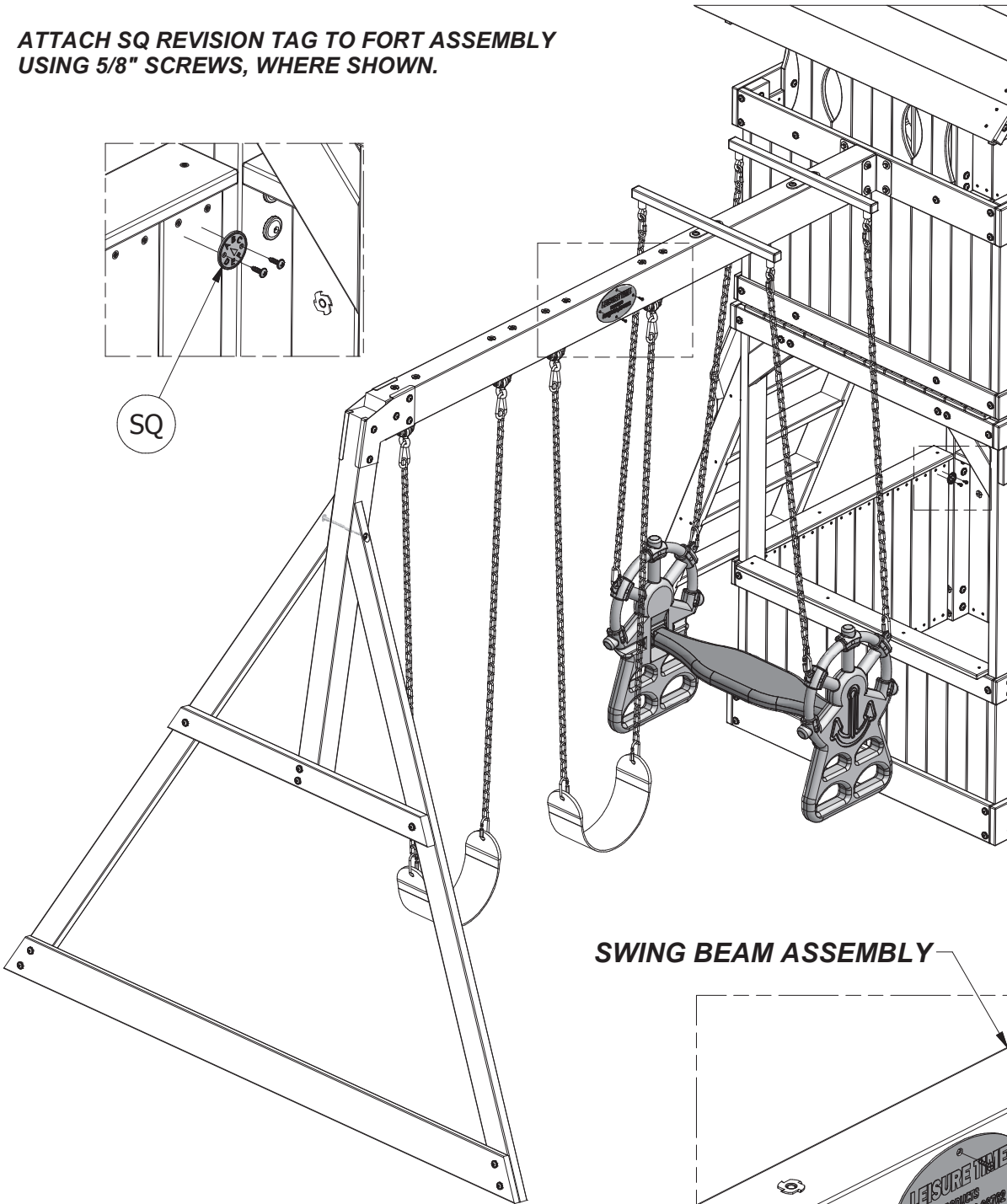
STEP 53

ATTACH EH ID PLACARD TO SWING BEAM ASSEMBLY USING 3/4" SCREWS, AS SHOWN.

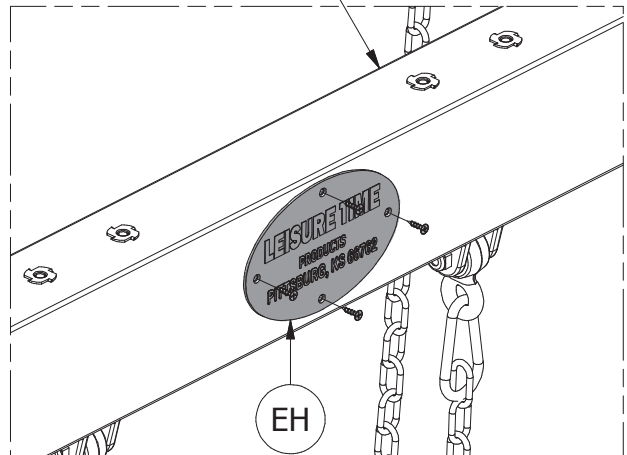
ATTACH SQ REVISION TAG TO FORT ASSEMBLY USING 5/8" SCREWS, WHERE SHOWN.



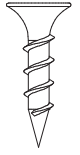
SQ



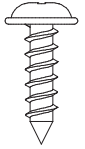
SWING BEAM ASSEMBLY



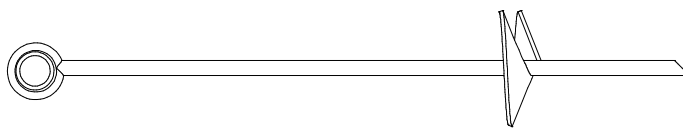
EH



(4) SCREW PFH
8x3/4



(2) SCREW PWH
8x5/8



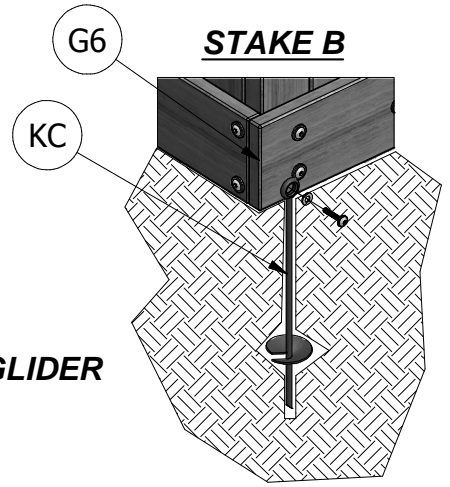
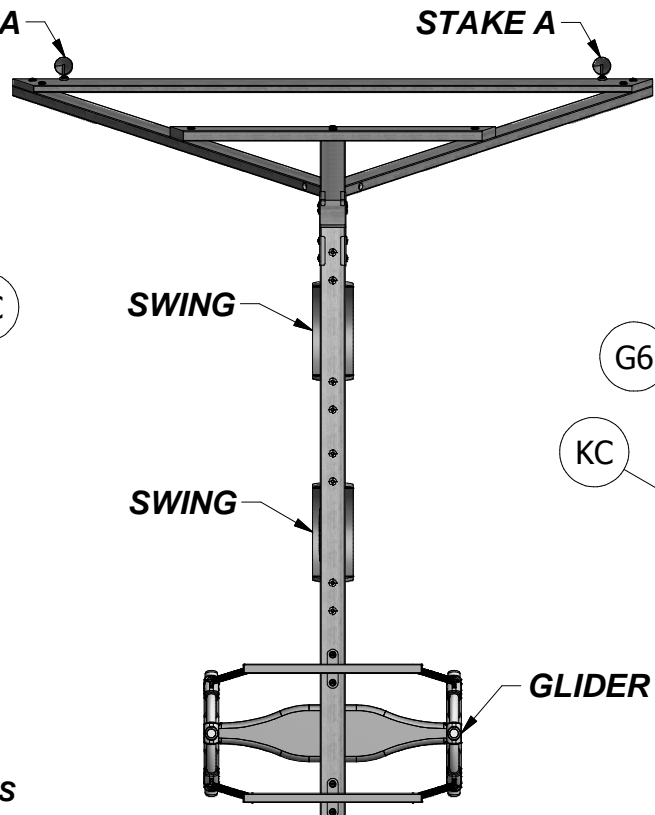
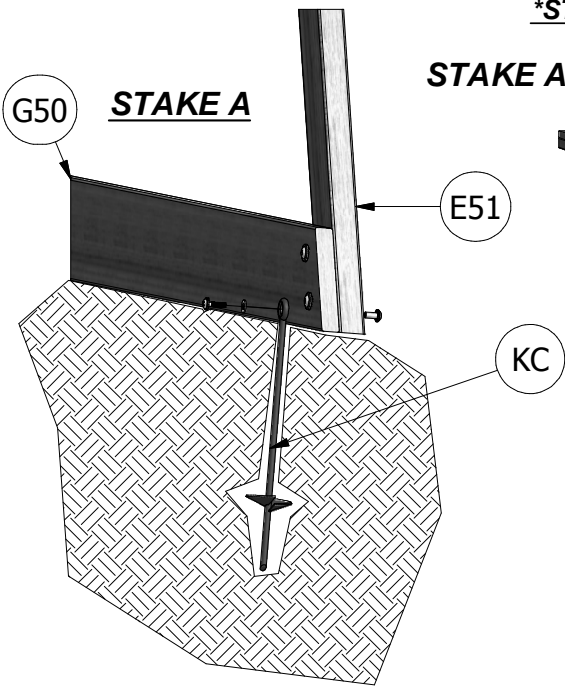
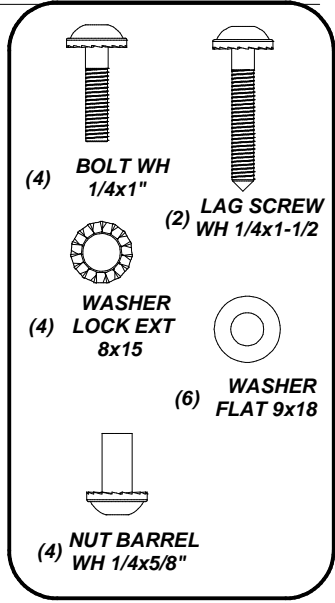
(6) KC - METAL GROUND STAKE BROWN - A100178

ANCHORING INSTRUCTIONS

NOTE:

FAILURE TO USE GROUND STAKES CAN VOID WARRANTY & CAUSE INJURY!

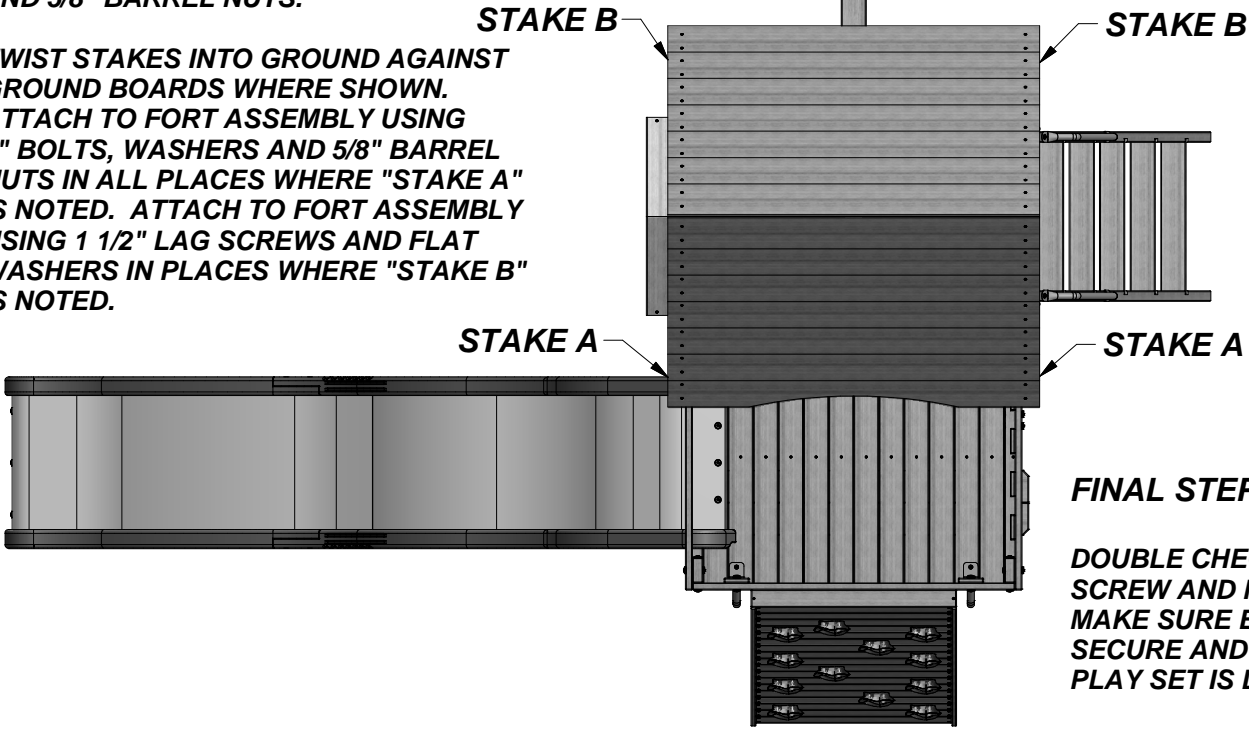
STAKES SHOULD BE PLACED IN CONCRETE



STEP 54

TWIST STAKES INTO GROUND AGAINST BOARDS WHERE SHOWN. ATTACH TO SWING BEAM USING 1" BOLTS, WASHERS AND 5/8" BARREL NUTS.

TWIST STAKES INTO GROUND AGAINST GROUND BOARDS WHERE SHOWN. ATTACH TO FORT ASSEMBLY USING 1" BOLTS, WASHERS AND 5/8" BARREL NUTS IN ALL PLACES WHERE "STAKE A" IS NOTED. ATTACH TO FORT ASSEMBLY USING 1 1/2" LAG SCREWS AND FLAT WASHERS IN PLACES WHERE "STAKE B" IS NOTED.



FINAL STEP

DOUBLE CHECK EVERY BOLT, SCREW AND NUT FOR TIGHTNESS. MAKE SURE EVERY BOARD IS SECURE AND MAKE SURE THE PLAY SET IS LEVEL.

ENJOY YOUR NEW PLAY SET!

Limited Warranty

This Limited Warranty by Backyard Discovery applies to products manufactured under the Backyard Discovery brand or its other brands including but not limited to Backyard Botanical, Adventure Playsets, and Leisure Time Products.

Backyard Discovery warrants that this product is free from defect in materials and workmanship for a period of one (1) year from the original date of purchase. This one (1) year warranty covers all parts including wood, hardware, and accessories. All wood carries a five (5) year pro-rated warranty against rot and decay. Refer to the schedule below for charges associated with replacement of parts under this Limited Warranty. In addition, Backyard Discovery will replace any parts within the first 30 days from date of purchase found to be missing from or damaged in the original packaging.

This warranty applies to the original owner and registrant and is **non-transferable**. Regular maintenance is required to assure maximum life and performance of this product and failure by the owner to maintain the product according to the maintenance requirements may void this warranty. Maintenance guidelines are provided in the Owner's Manual.

This Limited Warranty does not cover:

- Labor for any inspection
- Labor for replacement of any defective item(s)
- Incidental or consequential damages
- Cosmetic defects which do not affect performance or integrity of a part or the entire product
- Vandalism, improper use, failure due to loading or use beyond the capacities stated in the applicable Assembly Manual.
- Acts of nature including but not limited to wind, storms, hail, floods, excessive water exposure
- Improper installation including but not limited to installation on uneven, unlevel, or soft ground
- Minor twisting, warping, checking, or any other natural occurring properties of wood that do not affect performance or integrity

Backyard Discovery products have been designed for safety and quality. Any modifications made to the original product could damage the structural integrity of the unit leading to failure and possible injury. Modification voids any and all warranties and Backyard Discovery assumes no liability for any modified products or consequences resulting from failure of a modified product.

This product is warranted for RESIDENTIAL USE ONLY. Under no circumstance should a Backyard Discovery product be used in public settings. Such use may lead to product failure and potential injury. Any and all public use will void this warranty. Backyard Discovery disclaims all other representations and warranties of any kind, express or implied.

This Warranty gives you specific legal rights. You may have other rights as well which vary from state to state or province to province. This warranty excludes all consequential damages, however, some states do not allow the limitation or exclusion of consequential damages and therefore this limitation may not apply to you.

Pro Rated Part Replacement Schedule

Product Age

All Parts

0-30 days from date of purchase

31 days to 1 year

Wood Rot and Decay Only

1 year

2 years

3 years

4 years

5 years

Over 5 years

Customer Pays

\$0 and free shipping

\$0 + S&H

\$0 and free shipping

20% + S&H

40% + S&H

60% + S&H

80% + S&H

100% + S&H