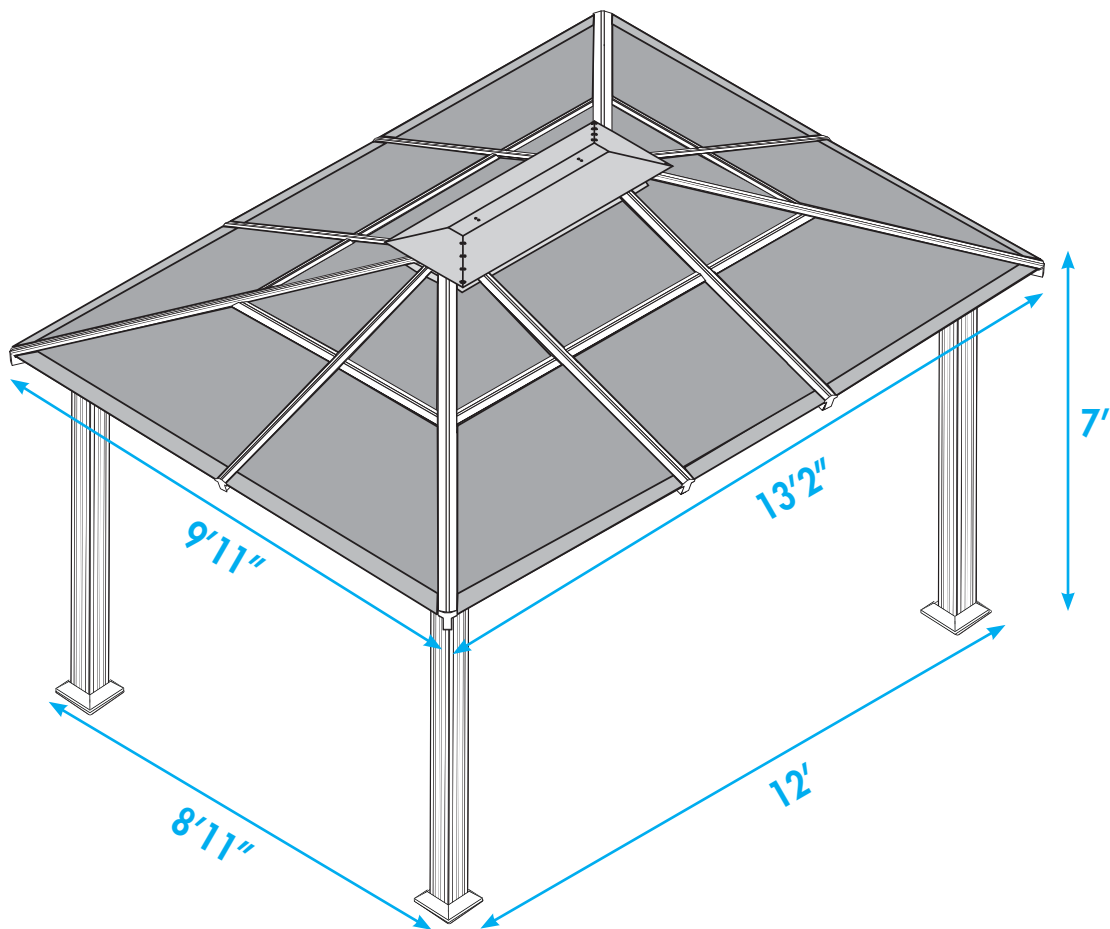




Gazebo GZ3 Santa Monica Aluminium Composite Roof Panels

Assembly Instructions

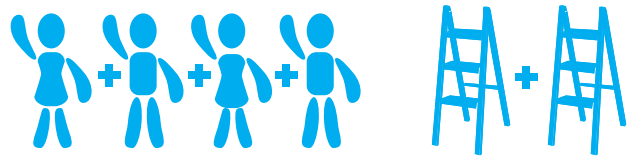


Systems Trading Corporation

450 7th Avenue Suite 2809, New York, NY 10123

Customer service: (877)782 4482 Email: easygrow@stcaustin.com

Introduction



Thank you for purchasing the Gazebo GZ3.

When properly assembled and maintained, this gazebo will provide many years of enjoyment!

These instructions include helpful hints and important information needed to safely assemble and properly maintain the gazebo. Please read these instructions completely before you begin.

Our patented gazebo has been designed for easy assembly. All steps can be completed by a team of four people. The assembly should take about two hours.

Before Starting Assembly:

CAREFULLY READ ALL THE INSTRUCTIONS BEFORE YOU BEGIN AND FOLLOW THE STEPS IN THE ORDER THEY ARE PRESENTED.

1. Make sure you have all the necessary parts:

Compare the contents of the three cartons to the List of Parts. If any parts are missing or damaged, or you have any questions, please contact Customer service: **(877)782 4482** or by email at **easygrow@stcaustin.com** before beginning assembly.

2. Lay the parts out in separate staging areas:

The List of Parts has the corresponding step number referenced to each part. We recommend that while you go through the list, make staging areas for each step and place the parts necessary for each step in these areas. This will save you time and effort during assembly.

3. Select a Location:

When selecting a location for your gazebo, a flat level area is essential and if possible with proper water drainage and easy access to power and water, if necessary.

Choose a sunny, level position away from overhanging trees and power lines and protected from the wind as much as possible. Locate underground pipes or cables before preparing the site or anchoring the gazebo.

Note: You may assemble the gazebo on a hard level surface and move it to its final location when finished. Make sure that there are no obstacles between the assembly area and the final position.

4. Prepare a Foundation:

After choosing a location, proper preparation of the site is recommended. The site must be level. If the site is not level, create a base slightly larger than the outside dimensions of the gazebo using a perimeter of two by fours filled with either soil, sod or gravel.

Make sure the base is square by measuring the diagonals from both directions and making sure they are equal. The gazebo is secured with pegs into holes cast with concrete.

If you decide to have a concrete base, it is best to contact a reliable contractor to make sure it is flat and level. Make sure you have checked with your local authorities regarding any required building permits.

5. Make sure you have the proper tools:

- Tape Measure
- Work Gloves
- Safety goggles
- Phillips Screwdriver
- Spirit Level
- 2 Small Step Ladders
- Wooden Mallet
- Scissors
- Liquid soap or WD40 Lubricant
- Hex Key (included)

NOTE: A cordless drill with Phillips head bit is highly recommended but not essential.

Safety Advice

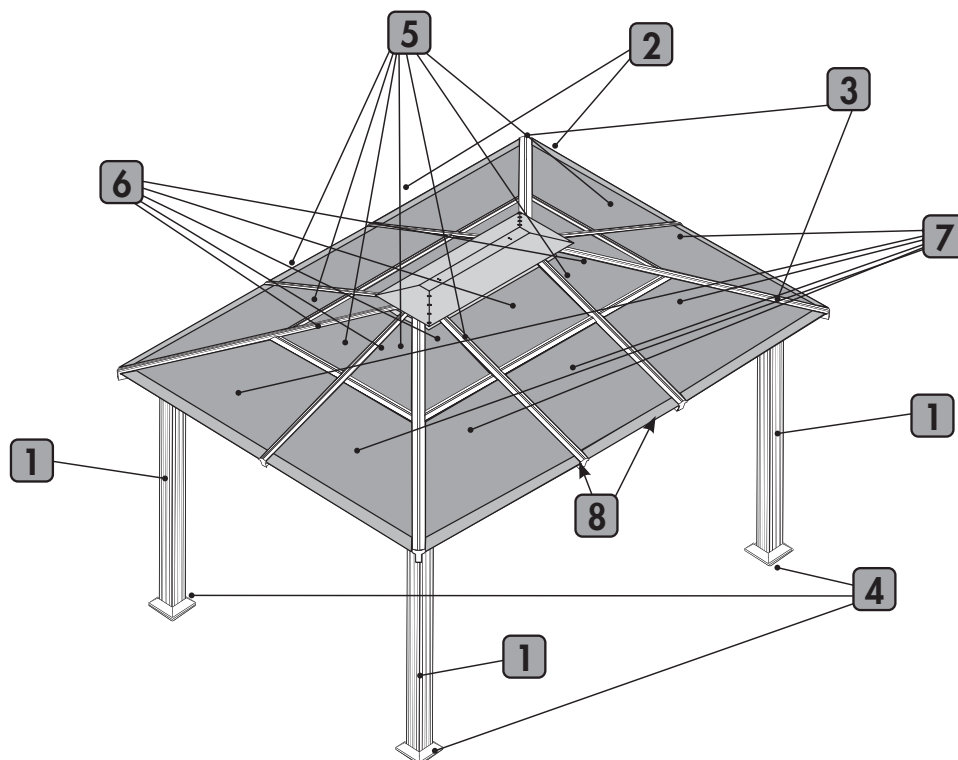
- The gazebo must be positioned and fixed on a flat level surface.
- Dispose of all plastic bags safely. Keep them out of the reach of children.
- Keep children and pets away from the assembly area until the work is completed.
- Always wear shoes, gloves and safety goggles when working.
- Take special care not to touch overhead power lines with the aluminium profiles.
- Do not attempt to assemble the gazebo in windy or wet conditions.
- Do not position your gazebo in an area exposed to excessive wind.
- If using power tools or a ladder, always follow the manufacturers safety instructions.
- Hot items such as recently used grills, blowtorches etc. must not be stored in the gazebo.
- Make sure the gazebo complies with local building codes.

Table of Contents

Introduction.....	2
Table of Contents.....	3
List of Parts.....	4
Step 1 Assembling the Corner Profiles.....	6
Step 2 Assembling the Rails.....	8
Step 3 Attaching the Rails to the Corner Profiles.....	10
Step 4 Securing the Gazebo to the ground....	12
Step 5 Installing the Roof Gables.....	13
Step 6 Installing the Upper Roof Panels....	16
Step 7 Installing the Lower Roof Panels....	18
Step 8 Tightening the Screws on Roof Profiles...	19

General Order of Assembly

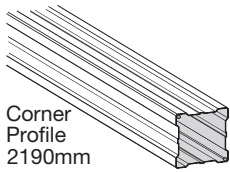
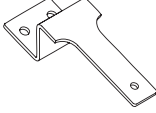
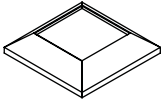
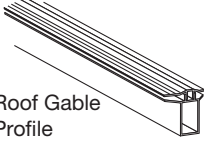
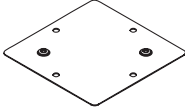
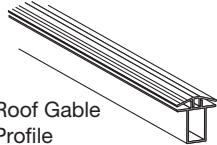

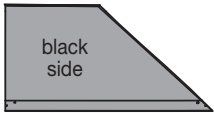
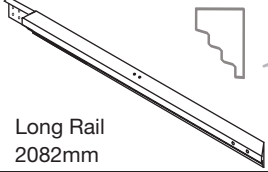
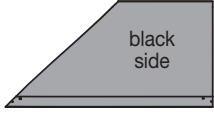
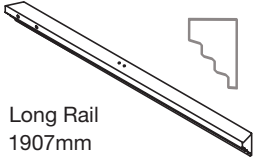
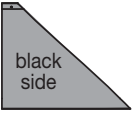

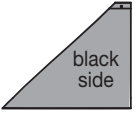

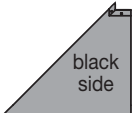

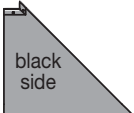
- Step 1: Assembling the Corner profiles
- Step 2: Assembling the Rails
- Step 3: Attaching the Rails to the Corner Profiles
- Step 4: Securing the gazebo to the ground
- Step 5: Installing the Roof Gables
- Step 6: Installing the Upper Roof Panels
- Step 7: Installing the Lower Roof Panels
- Step 8: Tightening the Screws on Roof Profiles

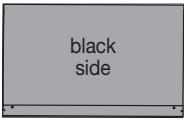

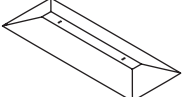


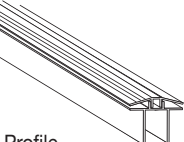
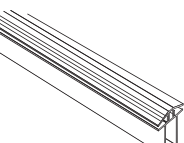
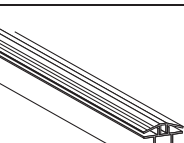
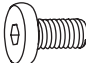
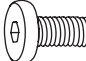
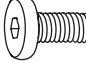
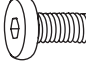


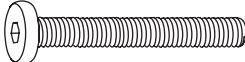



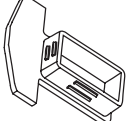
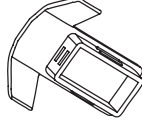

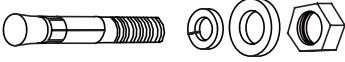
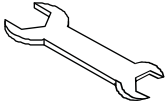

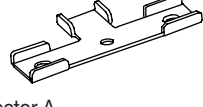

List of Parts



The gazebo is shipped in three cartons. These cartons are heavy. Be careful when lifting them. Wear proper safety gear including work shoes, gloves and goggles. The parts are identified by removable stickers. Place all the parts for each step in staging areas, checking that you have all parts as you go. If any parts are missing or damaged, contact STC customer service before beginning assembly: Customer service: (877)782 4482 Email: easygrow@stcaustin.com

No.	Profile	Qty	Step	No.	Profile	Qty	Step
1	 Corner Profile 2190mm	4	1	10	 Outer Roof Connector	10	2
2	 Support Frame	4	1	11-1 11-2	 Roof Gable Profile 2165mm	2 2	5
3	 Support Plate	4	1	12-1 12-2	 Roof Gable Profile 1578mm	4 2	5
4	 Corner Roof Connector	4	1	13	 Aluminium Composite Roof Panel	4	7
5	 Long Rail 2082mm	2	2	14	 Aluminium Composite Roof Panel	4	7
6	 Long Rail 1907mm	2	2	15	 Aluminium Composite Roof Panel	2	6
7	 Short Rail 1582mm	2	2	16	 Aluminium Composite Roof Panel	2	6
8	 Short Rail 1407mm	2	2	17	 Aluminium Composite Roof Panel	2	6
9	 Inner Roof Connector	6	2	18	 Aluminium Composite Roof Panel	2	6

No.	Profile	Qty	Step
19	 Aluminium Composite Roof Panel	2	7
20	 Aluminium Composite Roof Panel	2	6
21	 Roof Top Cover	1	5
22	 Roof Top Connector Beam	1	5
23	 U-shaped Connector	2	5
24	 Roof Profile	4	6
25	 Roof Profile	4	6
26	 Roof Profile	2	6
27	 Screw M6*8	20	2,5
28	 Screw M6*18	120	2,3 5,6
29	 Screw M6*25	16	1
30	 Screw M6*38	8	5

No.	Profile	Qty	Step
31	 Screw M6*45	4	5
32	 Screw ø4*6	50	6
33	 Nut M6	8	5
34	 Plastic Cap #3	32	3
35	 Plastic Cap #1	6	8
36	 Plastic Cap #2	4	8
37	 Ground Spike	16	4
38	 Concrete Bolt	16	4
39	 Spanner	1	
40	 Magnetic Hex Key	1	
41	 T-connector A	6	7
42	 T-connector B	4	7

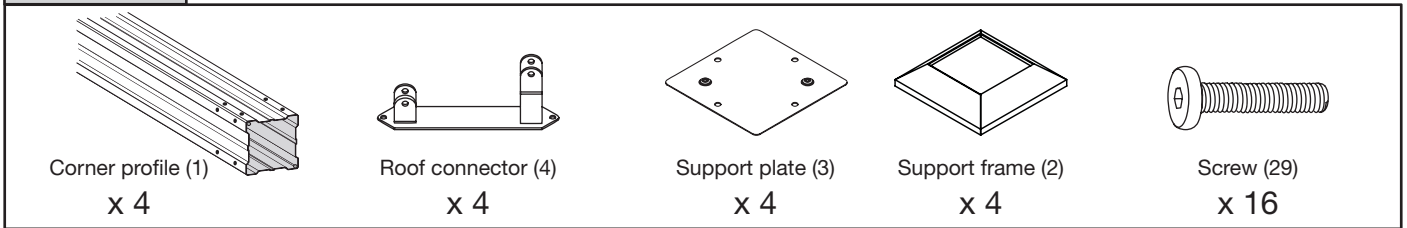
We included some extra screws and bolts for your convenience.

STEP 1 Assembling the Corner Profiles

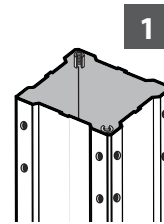


Place all the parts on a level surface.
Make sure the pieces are in the correct positions before assembling.
Carefully follow the order of assembly to ensure an easy installation.
Wear proper safety gear including work shoes, gloves and goggles.

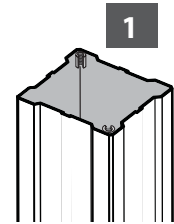
Components



ATTENTION: The corner profile (1) has two screw holes to connect it to the roof connector (4) and 8 pre-drilled screw holes to attach rails (5,6,7,8) in step 3 at its top end. It has two screw holes to connect it to the support plate (3) at its bottom end.



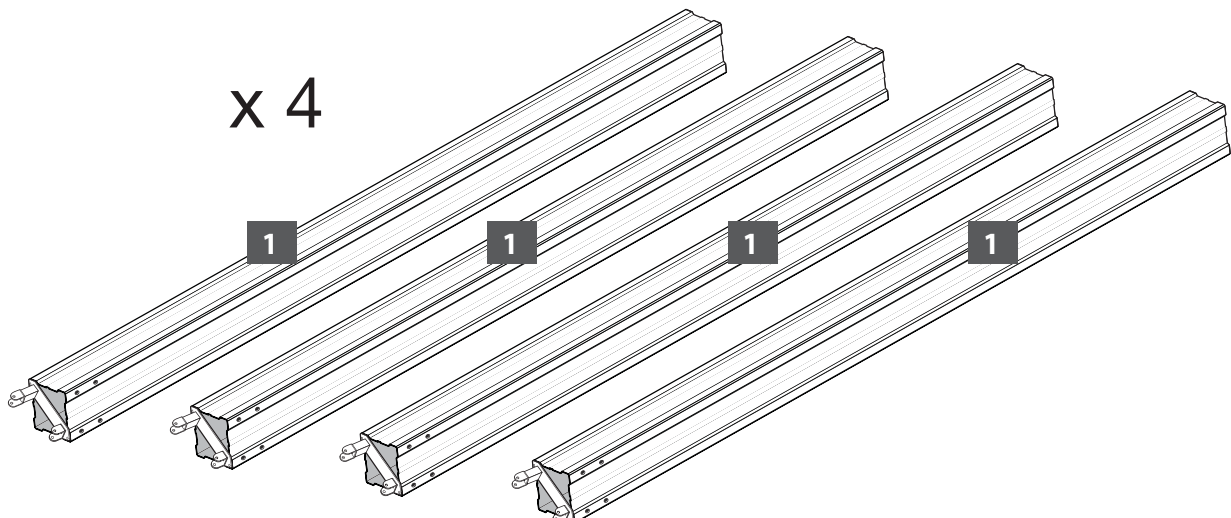
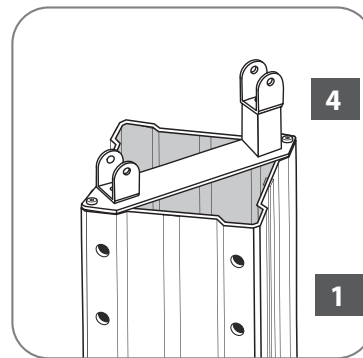
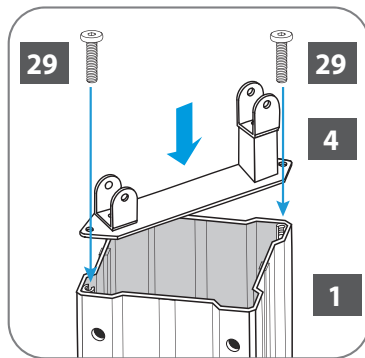
Top end



Bottom end

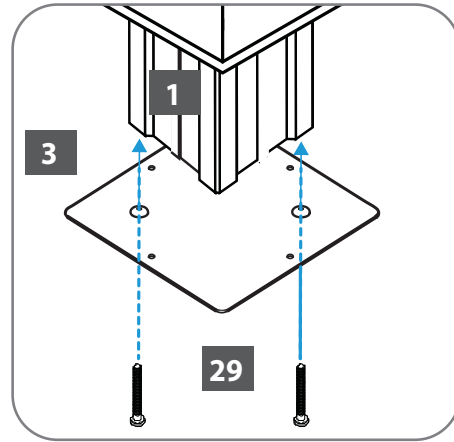
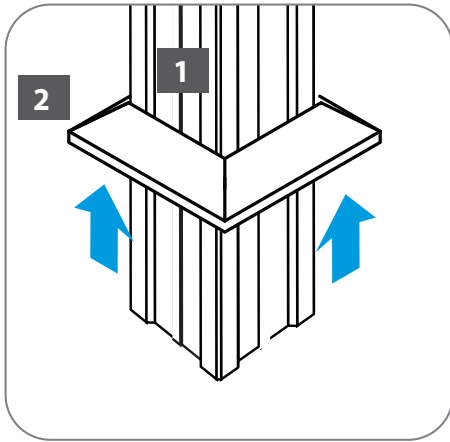
1.A

Place corner profiles (1) parallel to each other the ground. Attach one roof connector (4) to each top end as shown and fasten with screws (29).

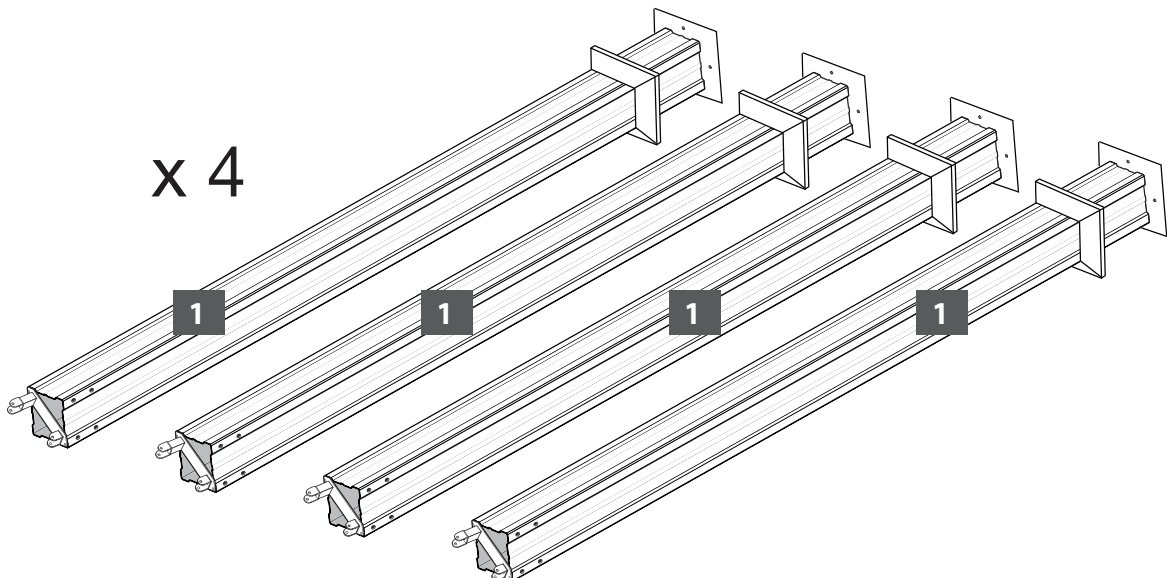
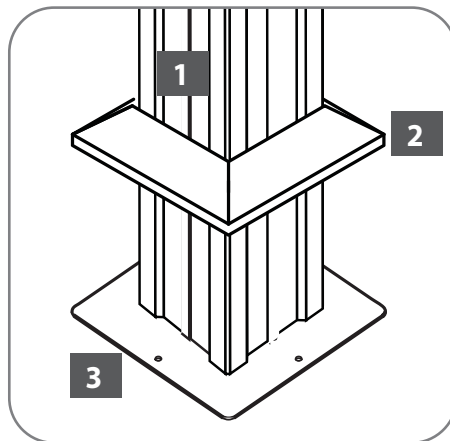


1.B

Slide support frames (2) over lower end of corner profiles (1).
Attach support plates (3) to corner profiles as shown, using two screws (29) for each plate.



Leave support frames (2) about 10" over lower end of corner profiles (1) until step 4 (Securing the gazebo to the ground)

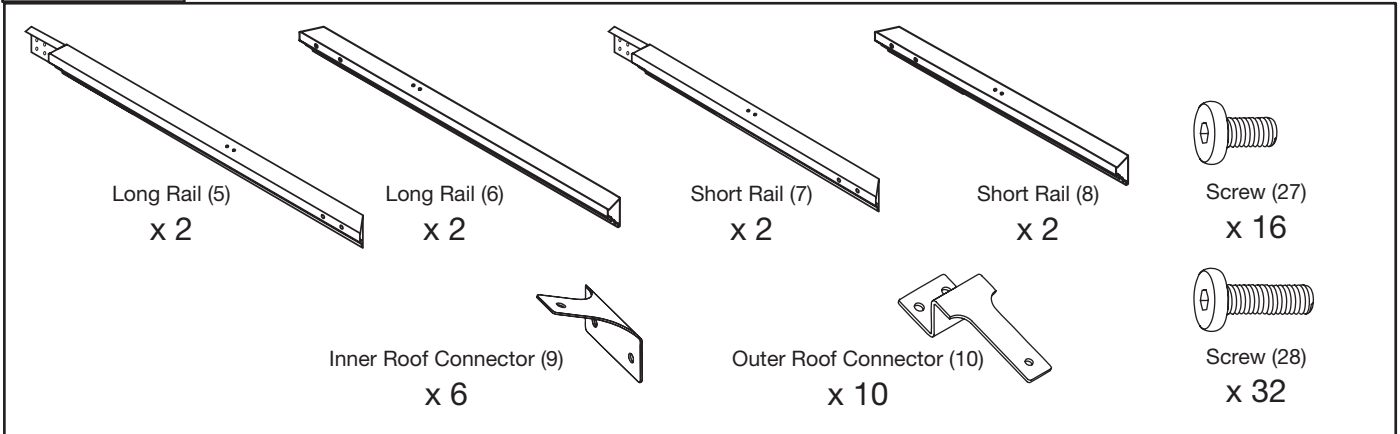


STEP 2 Assembling the Rails



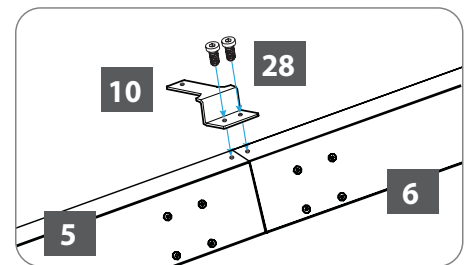
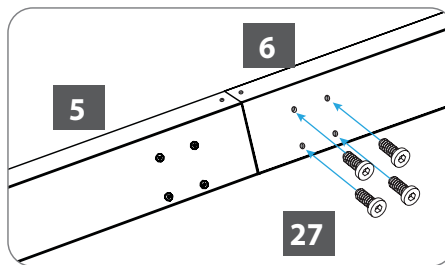
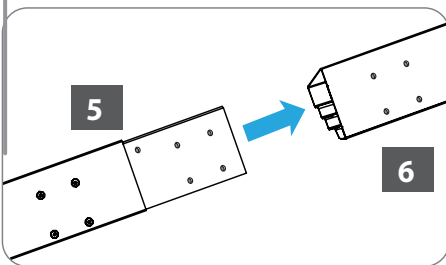
NOTE: The Long Rail (5) and the Short Rail (7) have a preassembled connecting part to be inserted into Long Rail (6) and Short Rail (8).

Components



2.A

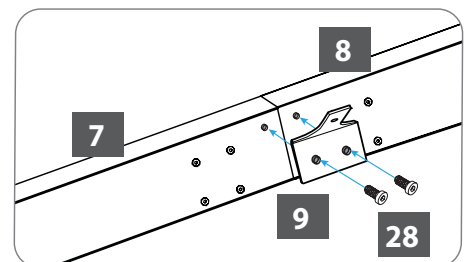
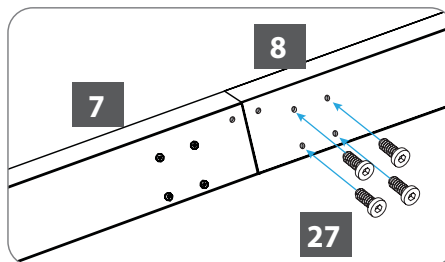
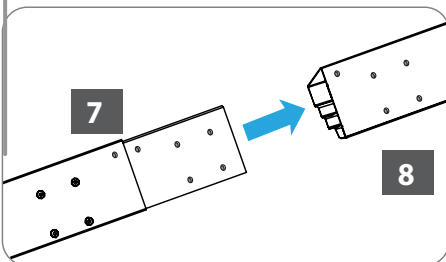
Insert connecting part of long rail (5) into blunt end of long rail (6) as shown. Attach with four screws (27). Repeat to create two sets of long rails.



Attach outer roof connector (10) to long rail set as shown, using two screws (28). Repeat to create two sets.

2.B

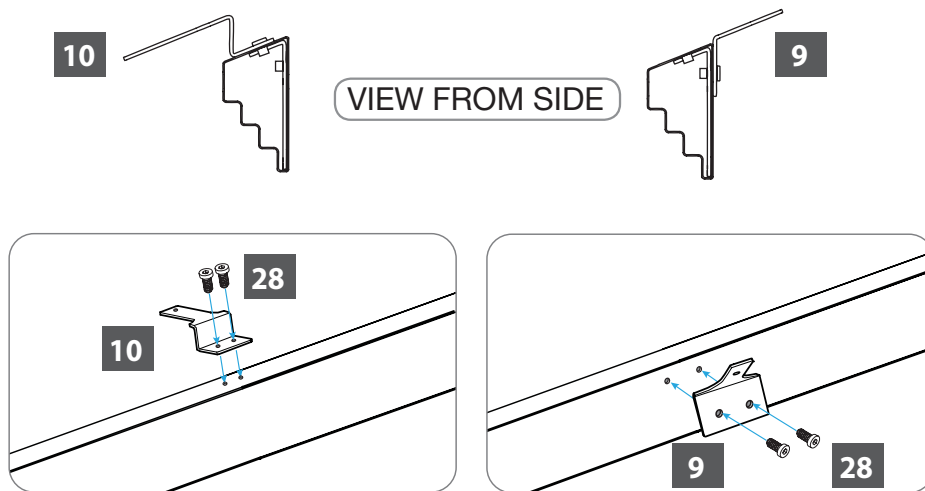
Insert connecting part of short rail (7) into blunt end of short rail (8) as shown. Attach with four screws (27). Repeat to create two sets of short rails.



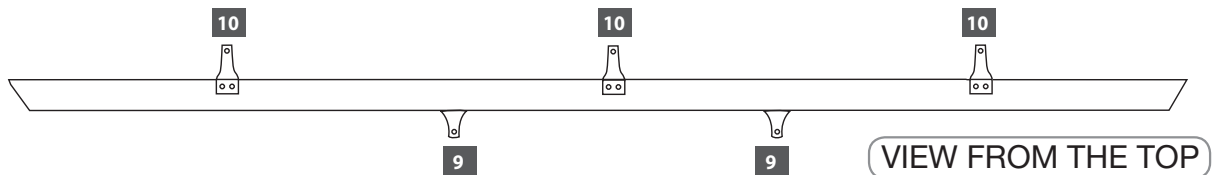
Attach inner roof connector (9) to short rail set as shown, using two screws (28). Repeat to create two sets.

2.C

Attach two outer roof connectors (10) to each long rail set at pre-drilled screw holes, using screws (28).

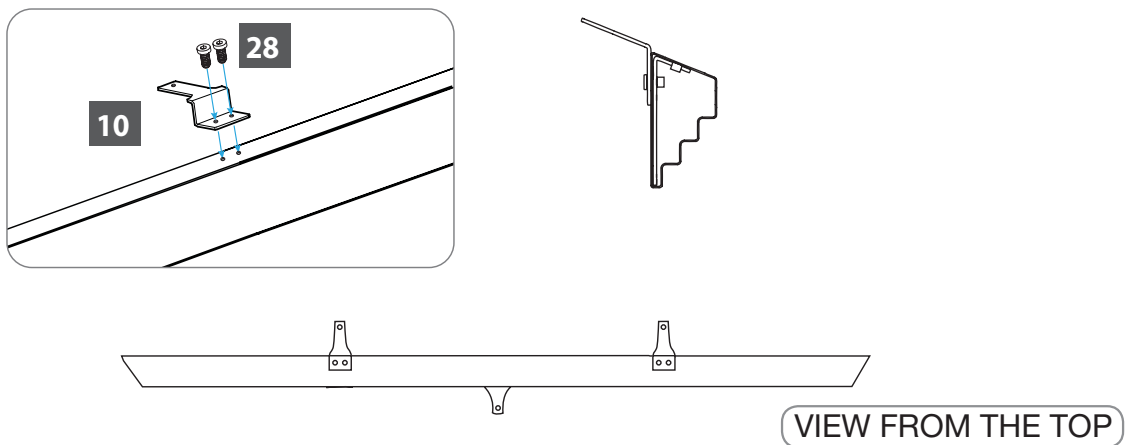


Attach two inner roof connectors (9) to each long rail set at pre-drilled screw holes, using screws (28).

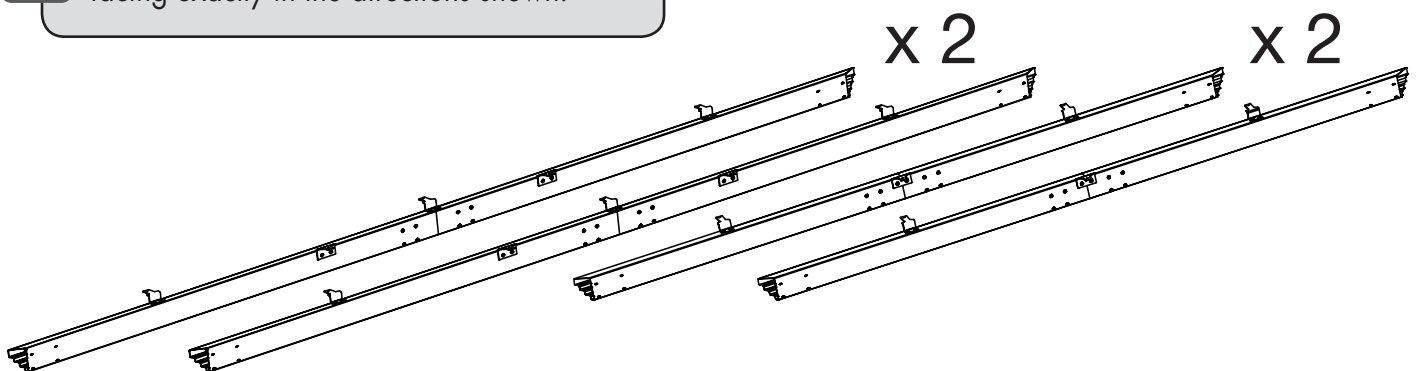


2.D

Attach two outer roof connectors (10) to each short rail set at pre-drilled screw holes, using screws (28).



ATTENTION: Attach roof connectors facing exactly in the directions shown.



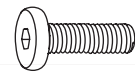
STEP 3 Attaching the Rails to the Corner Profiles



3.A

Attach one short roof profile set (7+8) to two corner profiles (1) as shown, using screws (28) and supplied magnetic hex key (40) through holes in profile set.

Components



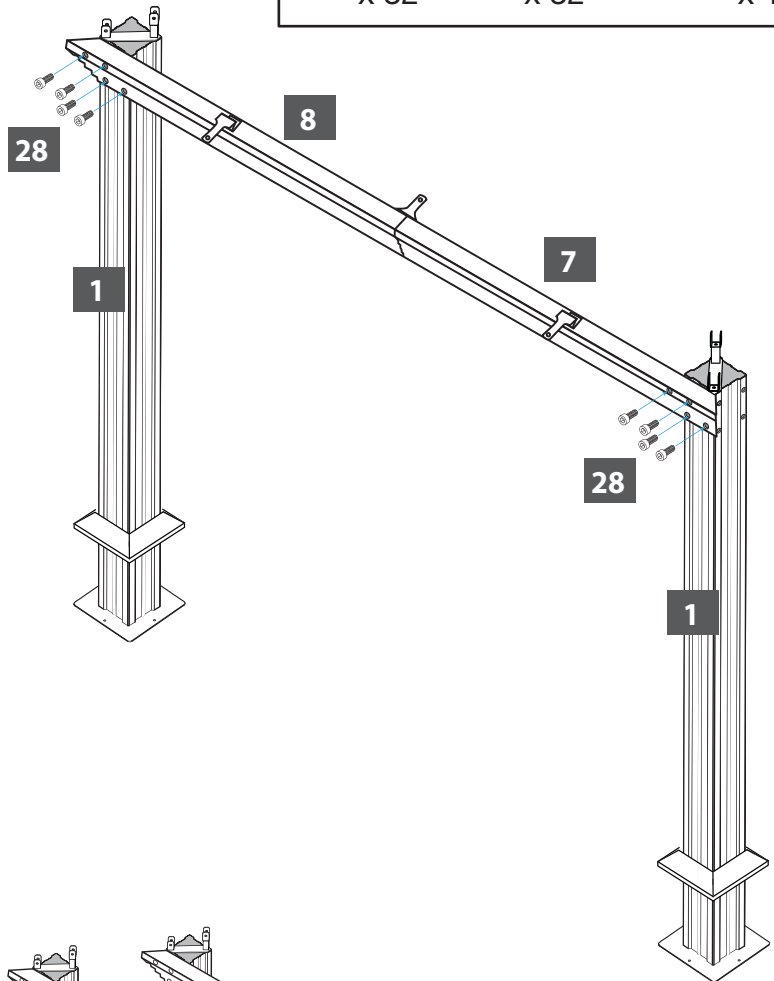
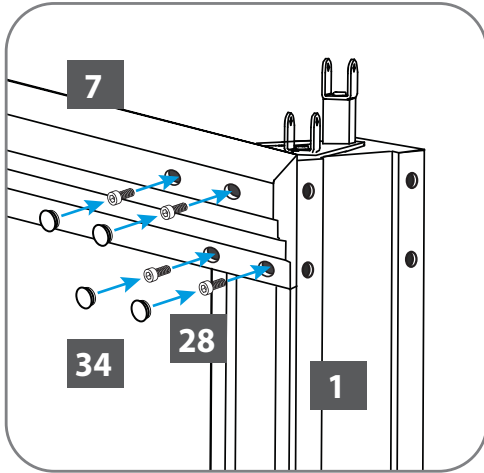
Screw (28)
x 32



Plastic Cap #3 (34)
x 32

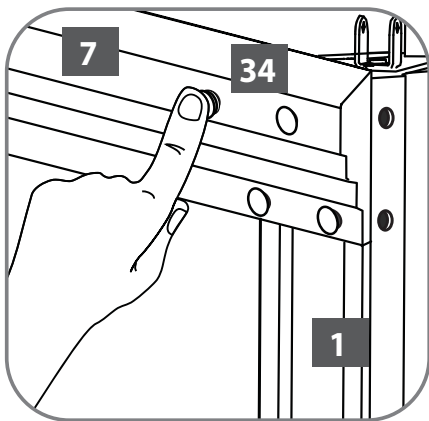


Magnetic Hex Key (40)
x 1

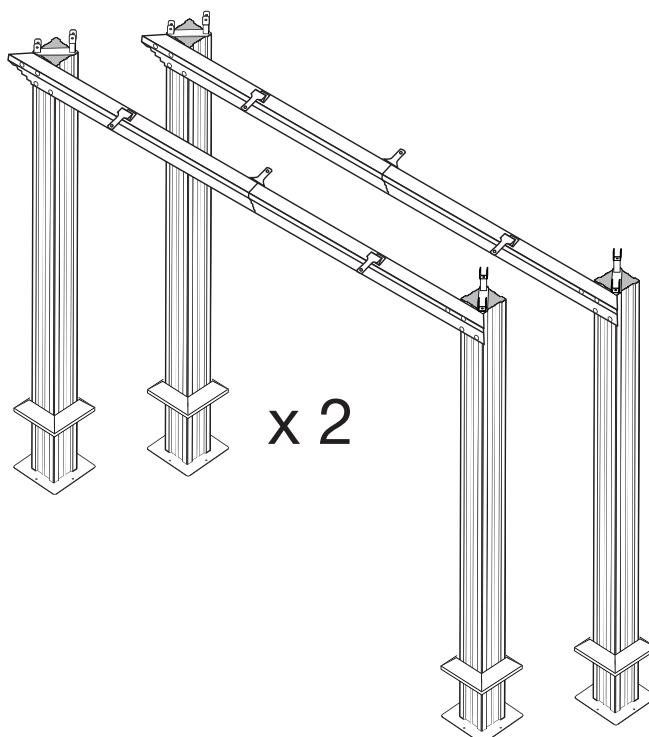


3.B

Close holes in profile set with plastic caps #3 (34).



Repeat step 3.A and 3.B to create two sets.

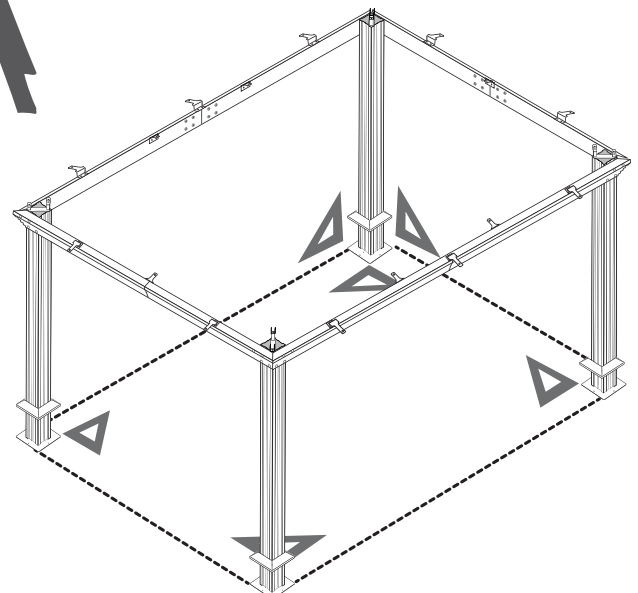
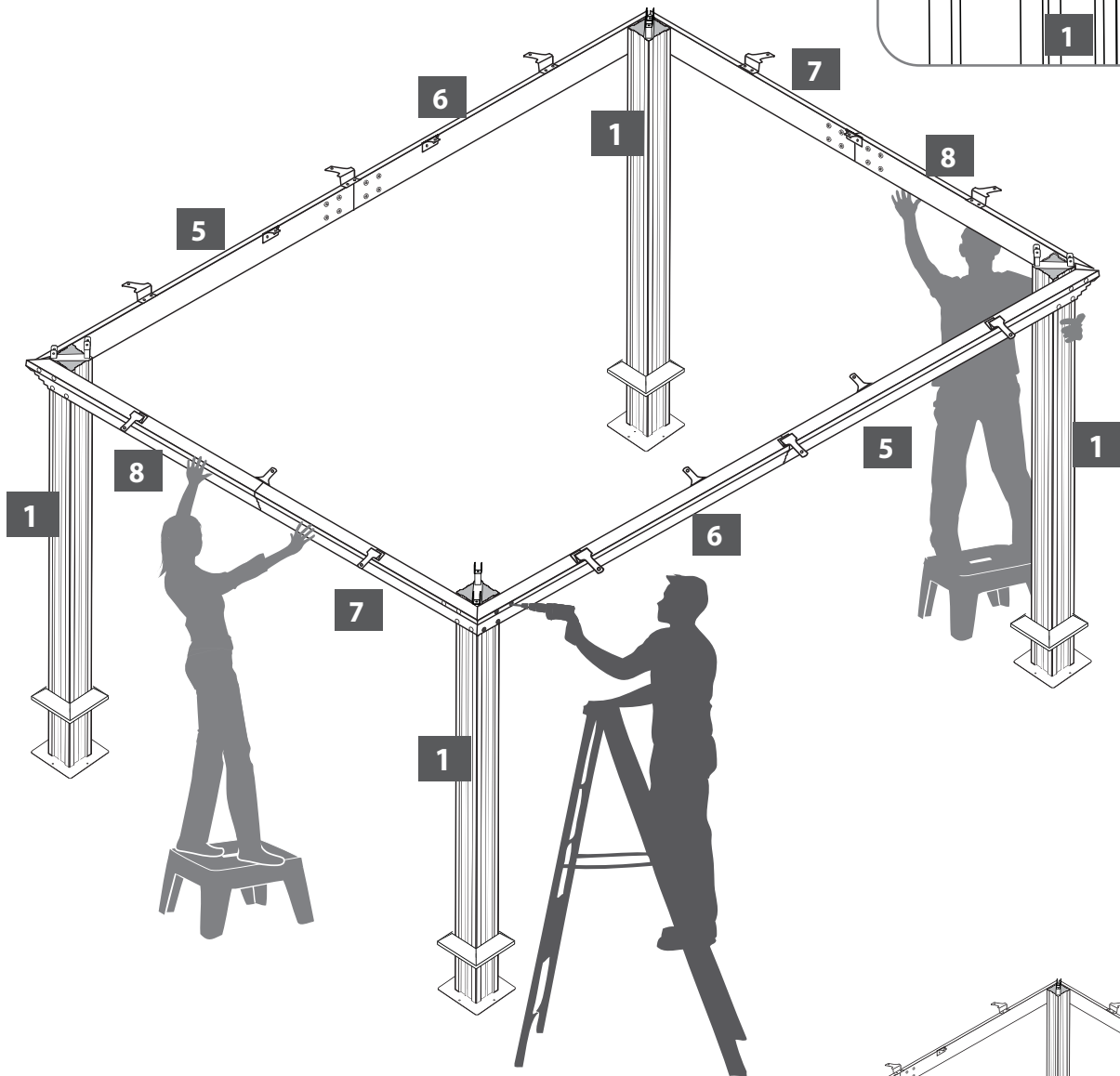
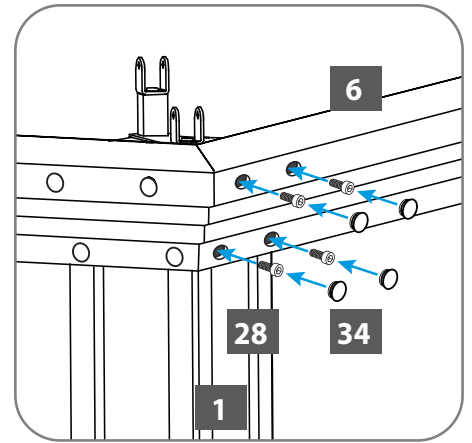


3.C

Using at least 3 people, attach the two long roof profile sets (5+6) to corner profiles (1), connecting all four corner profiles (1).

Fasten with four screws (28) and supplied magnetic hex key (40) on each side.

Close holes in profile sets with plastic caps #3 (34).

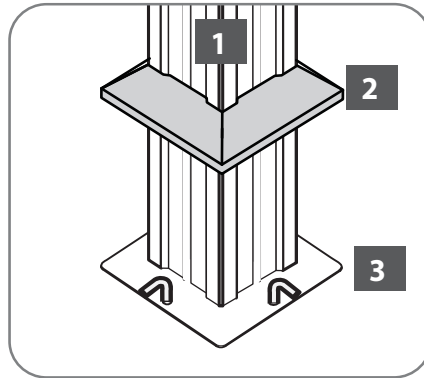
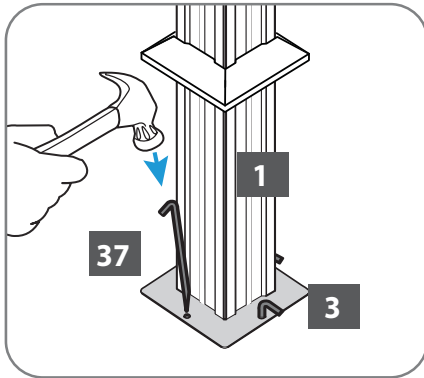


IMPORTANT: After this step you should place the gazebo frame in its desired location. Make sure all corners are squared at 90 degrees.

STEP 4 Securing the Gazebo to the Ground



4.A Fasten the gazebo frame to the ground, using four spikes (37) for each support plate.
Lower support frames (2) to cover support plates (3).



Components

Ground spike (37)
x 16

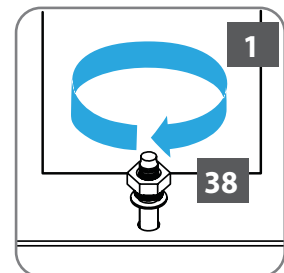
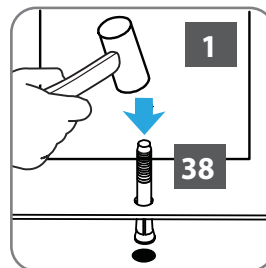
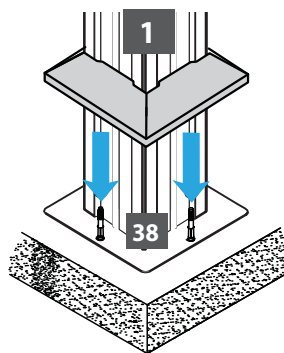
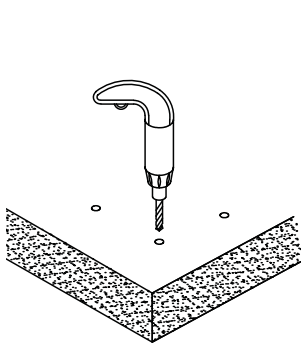
Optional Securing the Gazebo to a Concrete Floor or Wood Deck

Concrete Floor:

1. Using a concrete drill, drill holes into the concrete floor, corresponding to the holes in support plates (3).
2. Insert concrete bolts (38) into the holes and hammer into place, using a mallet.
3. Fasten concrete bolts with washers and nuts.

Components

Concrete bolts, washers and nuts (38)
x 16

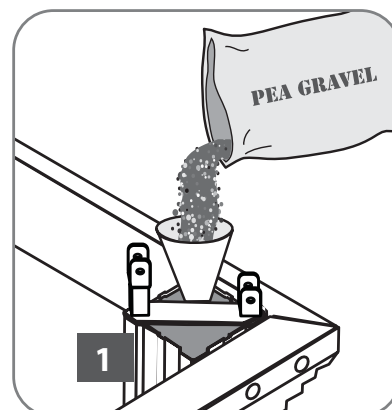


Wood Deck:

1. Using an electric wood drill, drill holes into the wood floor, corresponding to the holes in support plates (2).
2. Insert wood screws with washers (not supplied) into the holes and fasten, using an electric screw driver.

Wood Bolts, washers X 16
NOT SUPPLIED
to be purchased by user

NOTE: After securing the gazebo to the ground, we highly recommend filling the corner profiles (1) with 2 bags (20LBs each) of Pea Gravel each for extra stability, as shown.

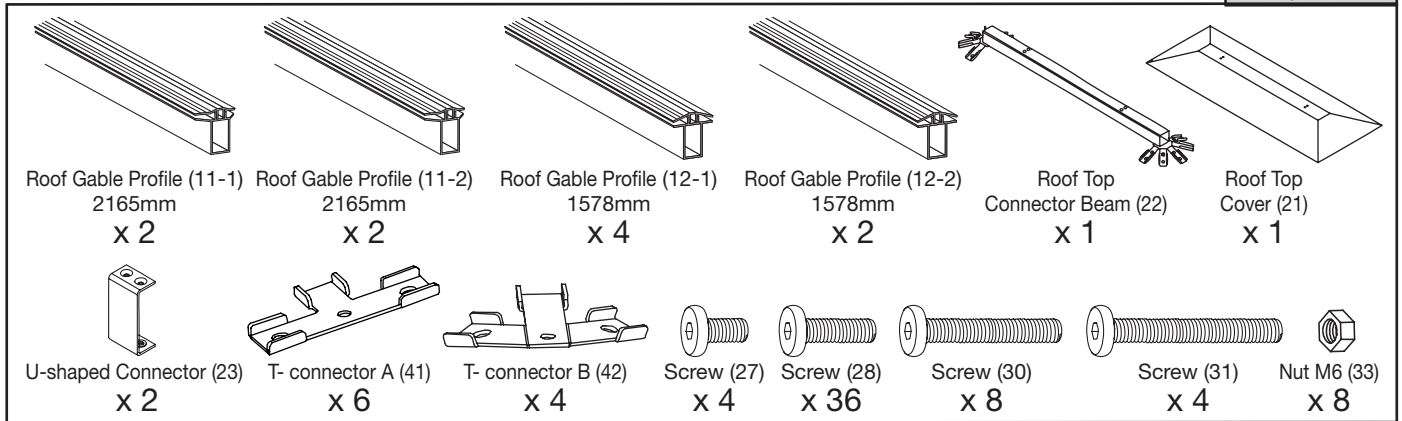


STEP 5 Installing the Roof Gables

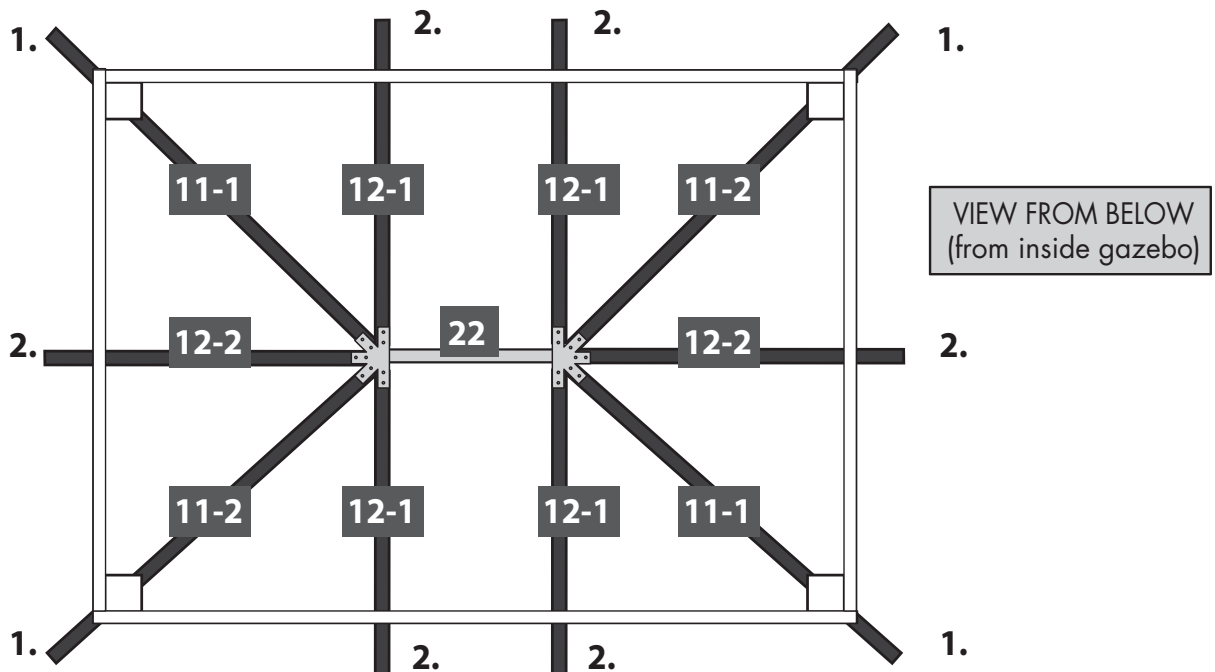


IMPORTANT: Each roof gable profile (11-1, 11-2, 12-1, 12-2) is composed of two parts, which are factory assembled and held together with screws. You will have to tighten these screws in Step 8, after assembling the roof.

Components

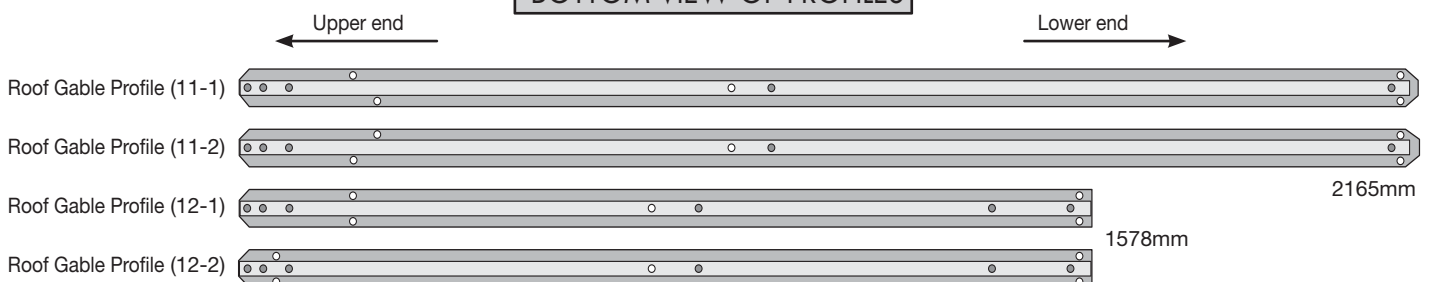


Using at least three people, install the roof gables (11-1, 11-2, 12-1, 12-2) in the following order:



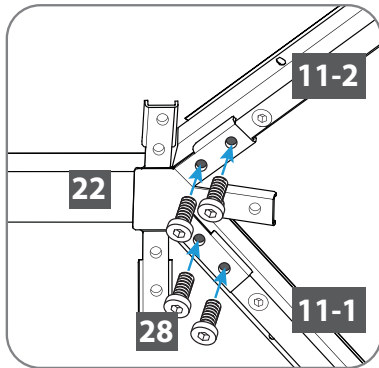
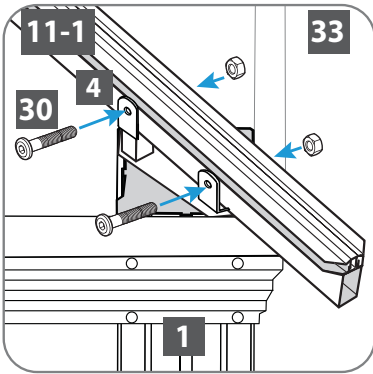
IMPORTANT: Make sure that the roof gable profiles (11-1, 11-2, 12-1, 12-2) are installed exactly as shown so that the pre-drilled screw holes will align properly with screw holes on the roof panels.

BOTTOM VIEW OF PROFILES



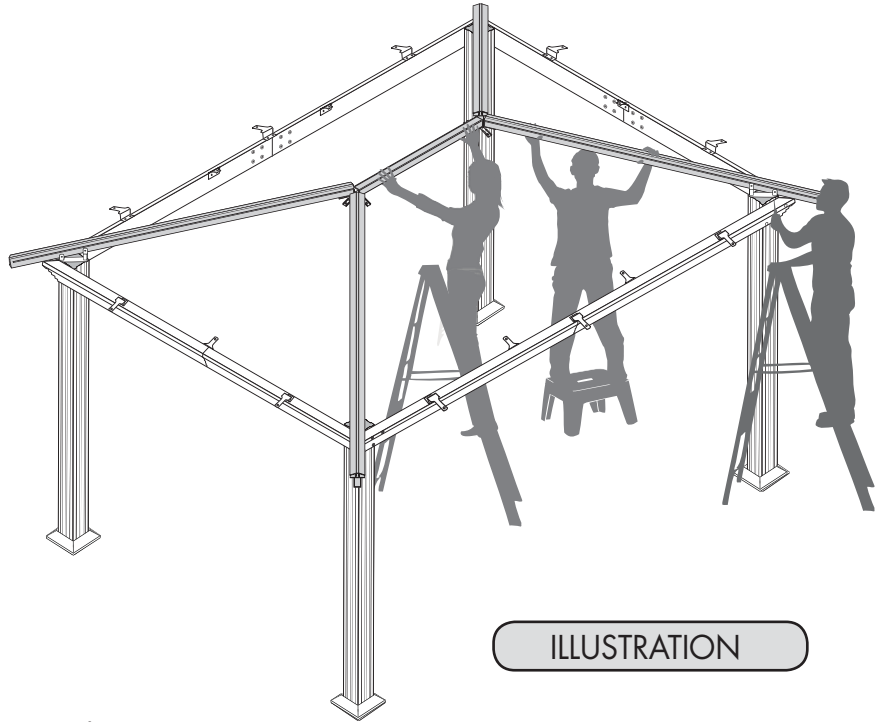
5.A

Using screws (30) and nuts (33), connect roof gable profiles (11-1) and (11-2) to roof connectors (4) on top of corner profiles (1).



VIEWS FROM BELOW

Using screws (28), connect roof gable profiles (11-1 and (11-2) to roof top connector beam (22) as shown.



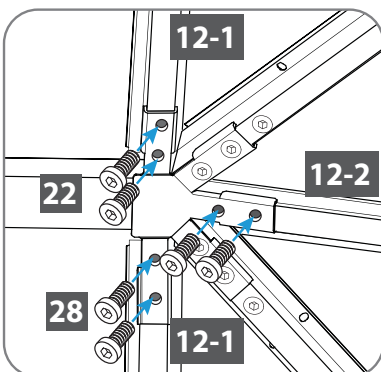
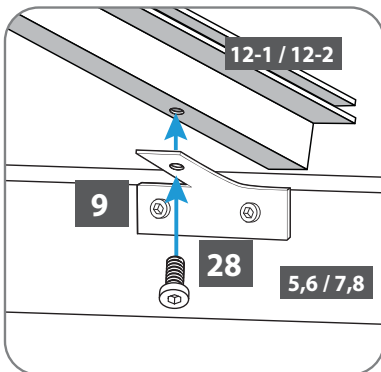
ILLUSTRATION

5.B

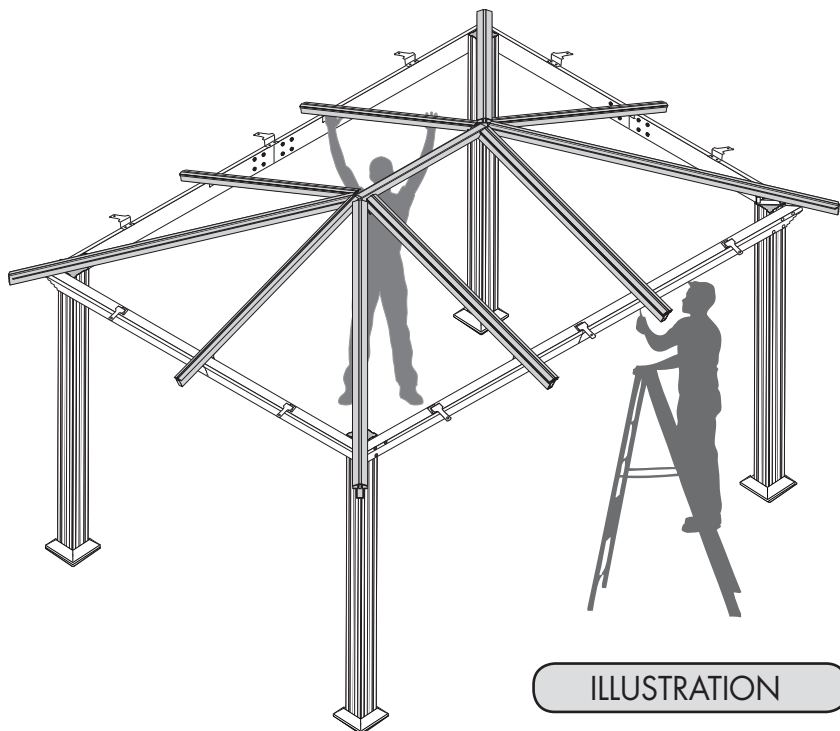
Install roof gable profiles (12-1) and (12-2).

Using screws (28) connect profiles (12-1) to inner roof connectors (9) on long roof profile sets (5,6) and the other end to roof top connector beam (22).

Using screws (28) connect profiles (12-2) to inner roof connectors (9) on short roof profile sets (7,8) and the other end to roof top connector beam (22).



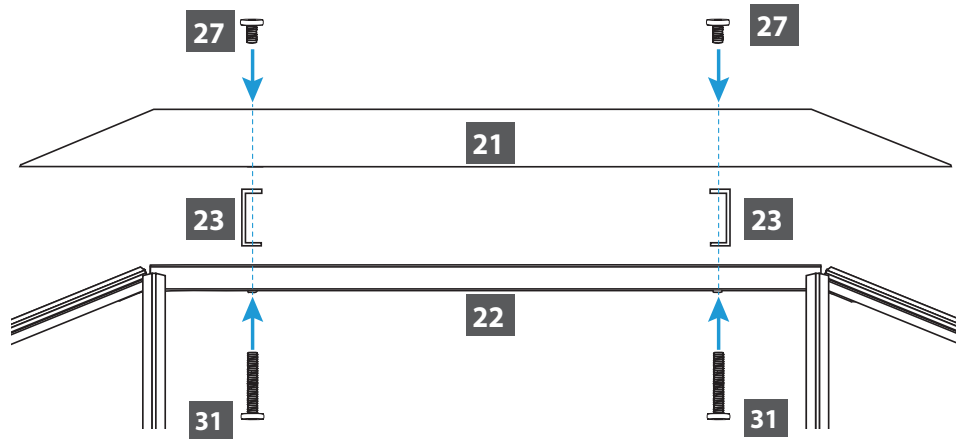
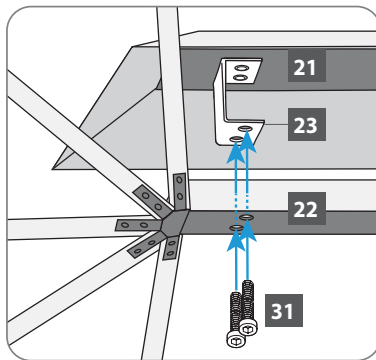
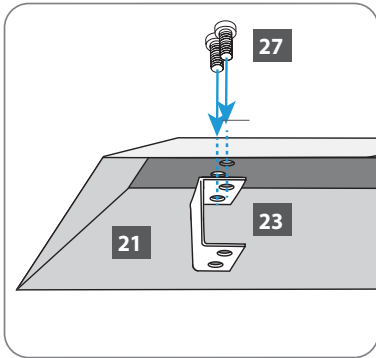
VIEWS FROM BELOW



ILLUSTRATION

5.C

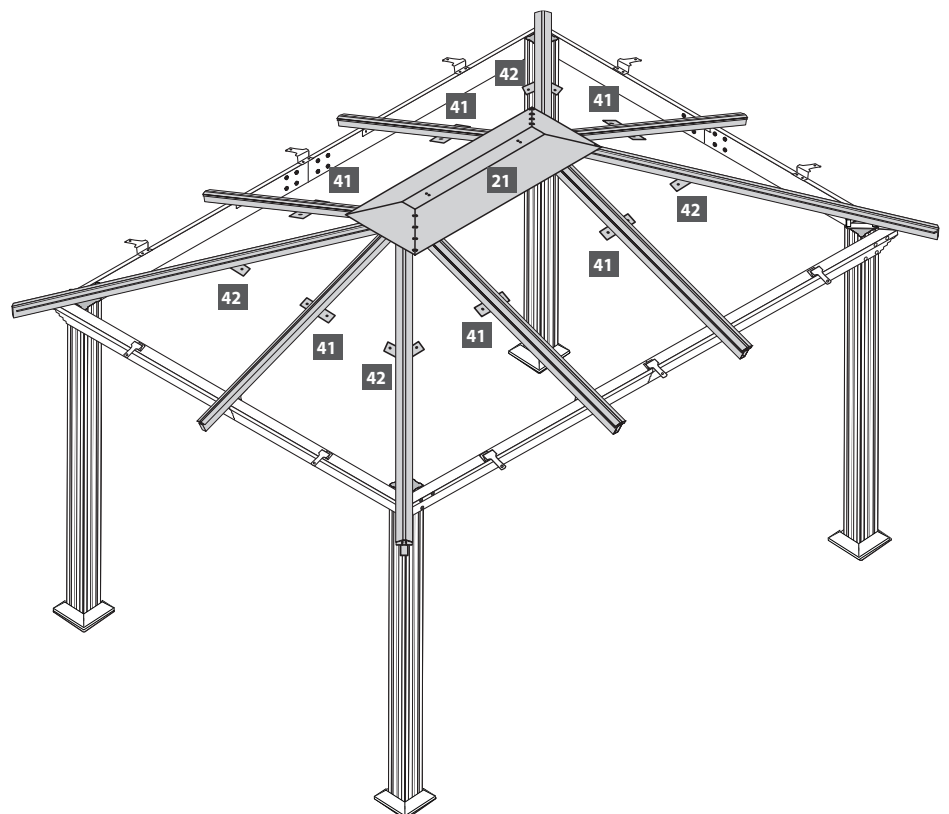
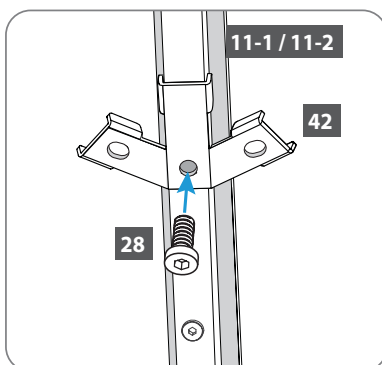
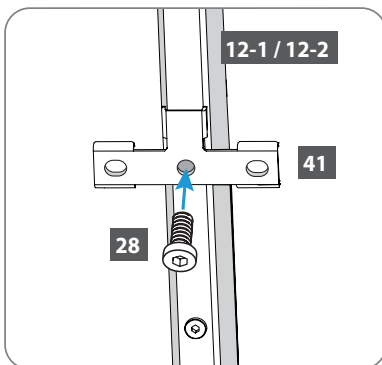
Connect the roof top cover (21) to the roof top connector beam (22) as shown. First connect the two U-shaped connectors (23) to the roof top cover (21), using four screws (27). Then attach U-shaped connectors (23) to roof top connector beam (22) from below, using four screws (31).



VIEWS FROM BELOW

5.D

Attach T-connectors A (41) to underside of roof gable profiles (12-1, 12-2), using screws (28) as shown. Attach T-connectors B (42) to underside of roof gable profiles (11-1, 11-2), using screws (28) as shown.



VIEWS FROM BELOW

STEP 6 Installing the Upper Roof Panels

Remove protective plastic from both sides of upper roof panels (15,16,17,18,20). Place with black surface toward the sun facing out when installing.

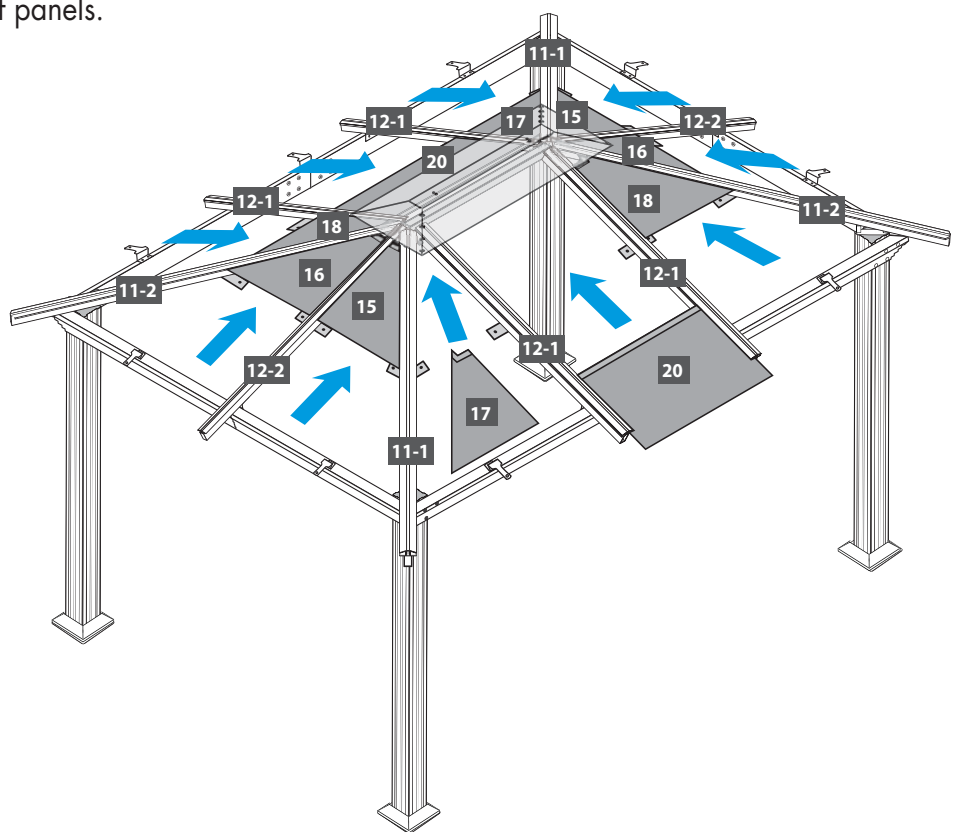


Components

Aluminium Composite Roof Panel (15)	Aluminium Composite Roof Panel (16)	Aluminium Composite Roof Panel (17)	Aluminium Composite Roof Panel (18)	Aluminium Composite Roof Panel (20)
x 2	x 2	x 2	x 2	x 2
Roof Profile (24)	Roof Profile (25)	Roof Profile (26)		
x 4	x 4	x 2		
			Screw (28)	Screw (32)
			x 20	x 20

IMPORTANT: Each roof gable profile (24,25,26) is composed of two parts, which are factory assembled and held together with screws. You will have to tighten these screws in Step 8, after assembling the roof.

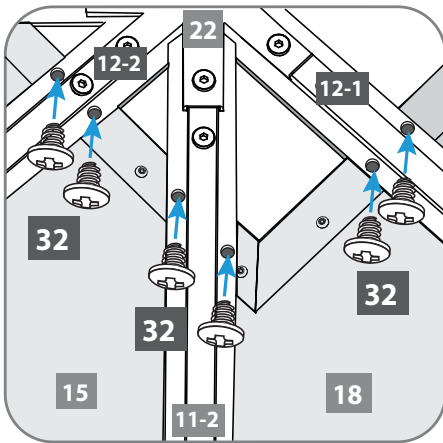
6.A Slide upper roof panels (15,16,17,18,20) into their positions through channels in roof profiles (11-1,11-2,12-1,12-2) as shown. You may have to loosen the pre-installed screws in the roof profiles slightly to facilitate sliding of the roof panels.



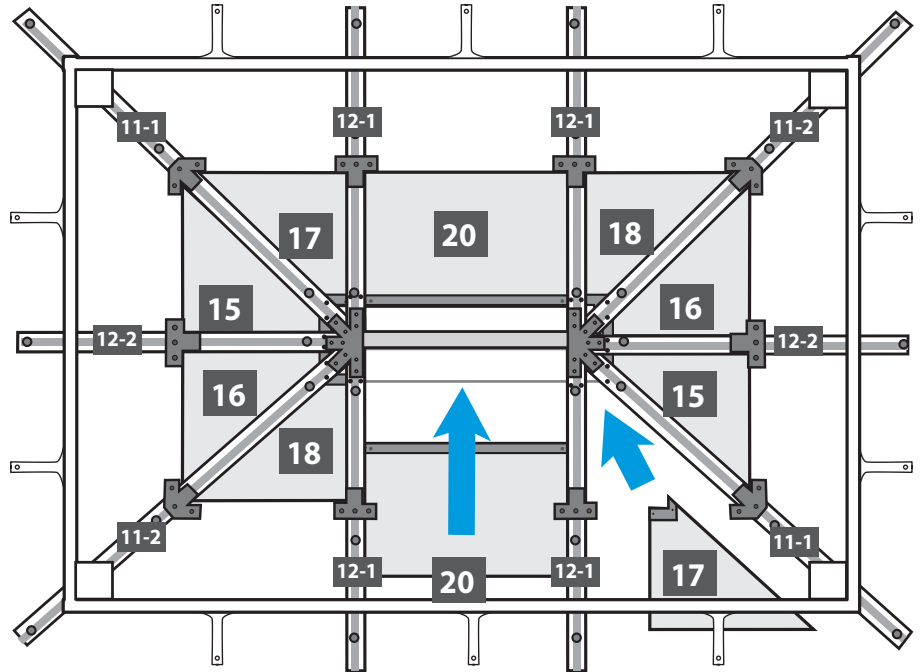
IMPORTANT: Make sure that the roof panels are installed exactly as shown so that the pre-drilled screw holes will align correctly.

6.B

Using pre-drilled screw holes, fasten roof panels to roof gable profiles (12-1) and (12-2) with two screws (32) each from below.



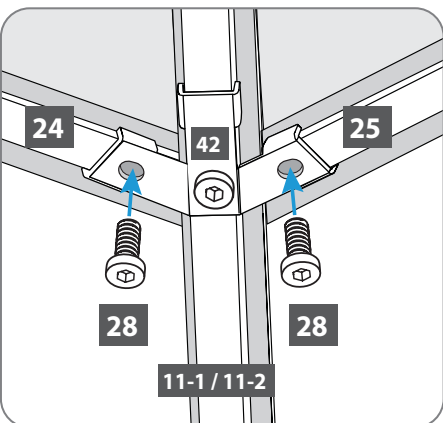
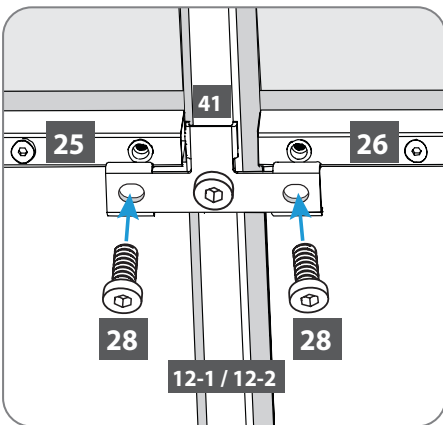
VIEW FROM BELOW



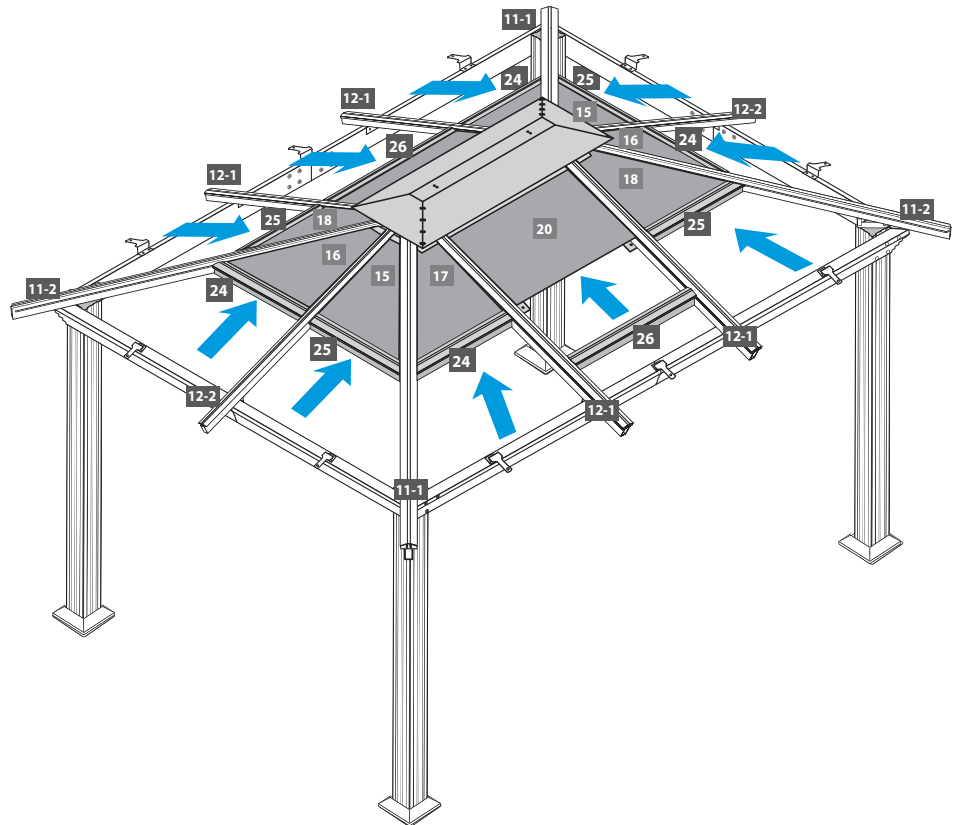
VIEW FROM BELOW
(from inside gazebo)

6.C

Slide roof profiles (24,25,26) onto roof panels (15,16,17,18,20) fitting edges of panels into channels of profiles as shown. You may have to loosen the pre-installed screws in the roof profiles slightly to facilitate fitting the roof panels.



VIEW FROM BELOW



Attach roof gable profiles (24,25,26) to T-connectors A (41) and B (42) from inside the gazebo, using screws (28) as shown.

STEP 7 Installing the Lower Roof Panels

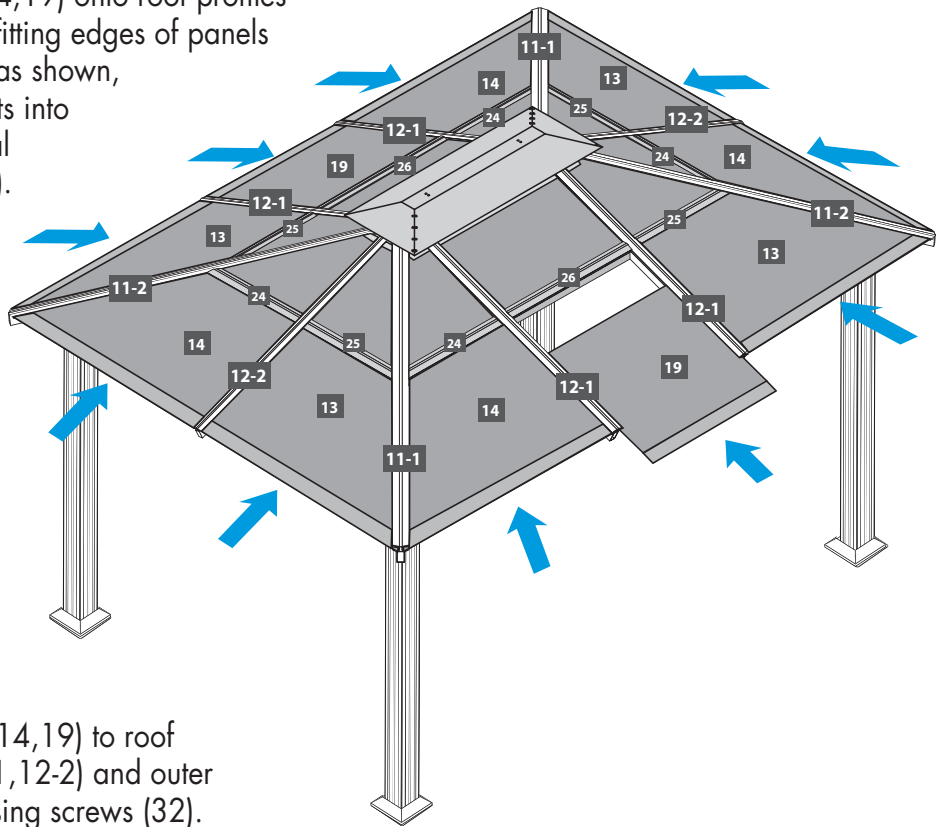


Remove protective plastic from both sides of lower roof panels (13,14,19). Place with black surface toward the sun facing out when installing.

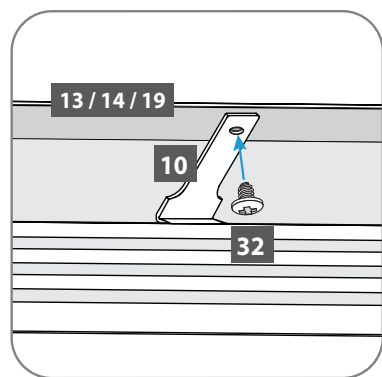
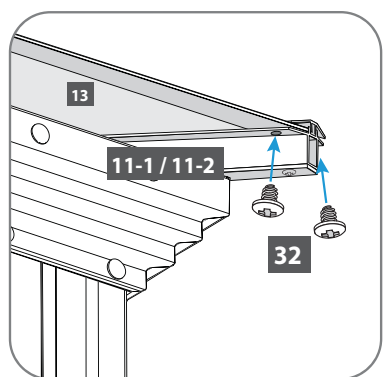
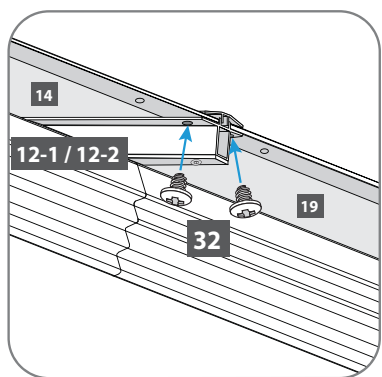
Components

Aluminium Composite Roof Panel (13)	Aluminium Composite Roof Panel (14)	Aluminium Composite Roof Panel (19)	Screw (32)
x 4	x 4	x 2	x 30
Plastic Cap #1 (35)	Plastic Cap #2 (36)		
x 6	x 4		

7.A Slide roof panels (13,14,19) onto roof profiles (11-1,11-2,12-1,12-2) fitting edges of panels into channels of profiles as shown, until their upper edge fits into the channels in horizontal roof profiles (24,25,26).

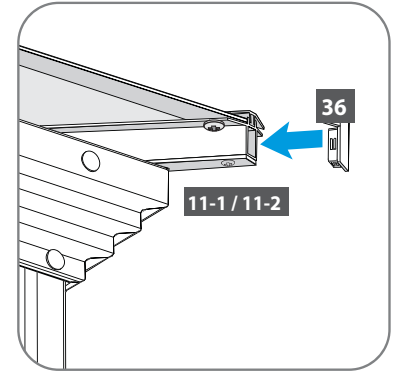
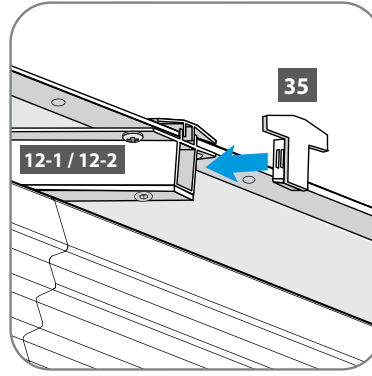


7.B Attach roof panels (13,14,19) to roof profiles (11-1,11-2,12-1,12-2) and outer roof connectors (10), using screws (32).



7.C

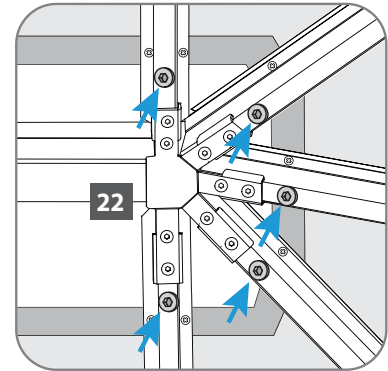
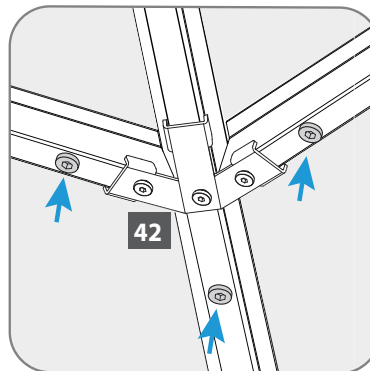
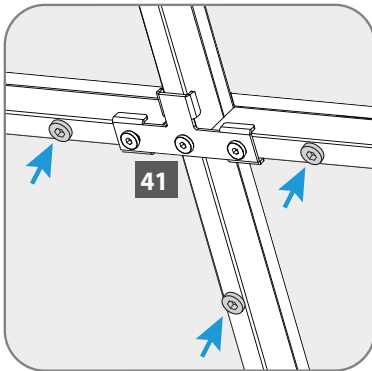
Close off roof profiles (12-1,12-2) with plastic caps #1 (35) and roof profiles (11-1,11-2) with plastic caps #2 (36).



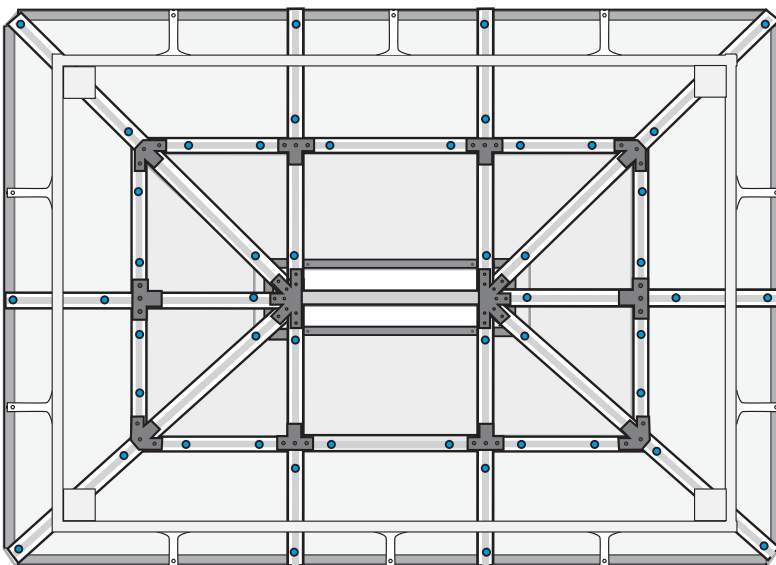
STEP 8 Tightening the screws on roof profiles

8.A

From inside the gazebo, tighten all pre-installed screws on profiles (11-1,11-2) and (12-1,12-2) to hold all roof panels firmly in place.

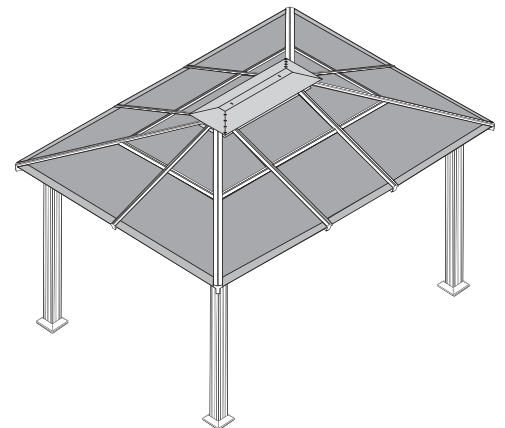


VIEW FROM BELOW



● Screws to be tightened

VIEW FROM BELOW
(from inside gazebo)



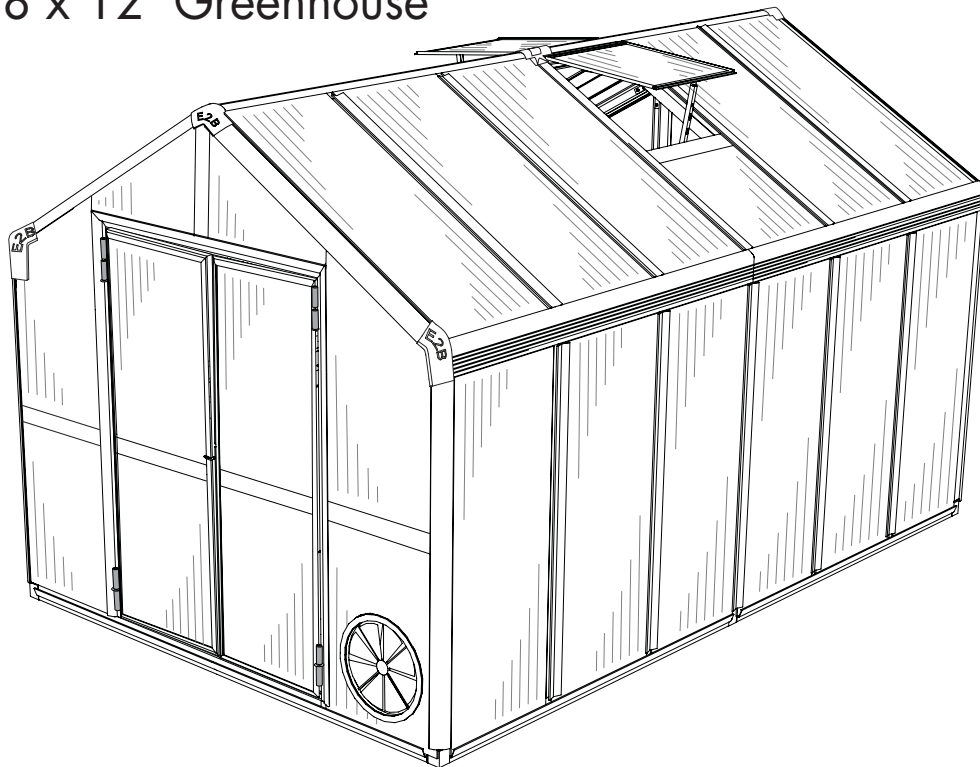
ENJOY YOUR
COMPLETED GAZEBO !

Gazebo GZ3 Santa Monica Aluminium Composite Roof Panels

Assembly Instructions

Visit: <http://www.stcny.com>
for more Lawn and Garden products

EasyGrow
8'x 12' Greenhouse



Systems Trading Corporation
450 7th Avenue Suite 2809, New York, NY 10123
Customer service: (877)782 4482 Email: easygrow@stcaustin.com