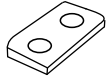


# 7-Piece Dining Set

## Swivel Chair Assembly Instructions

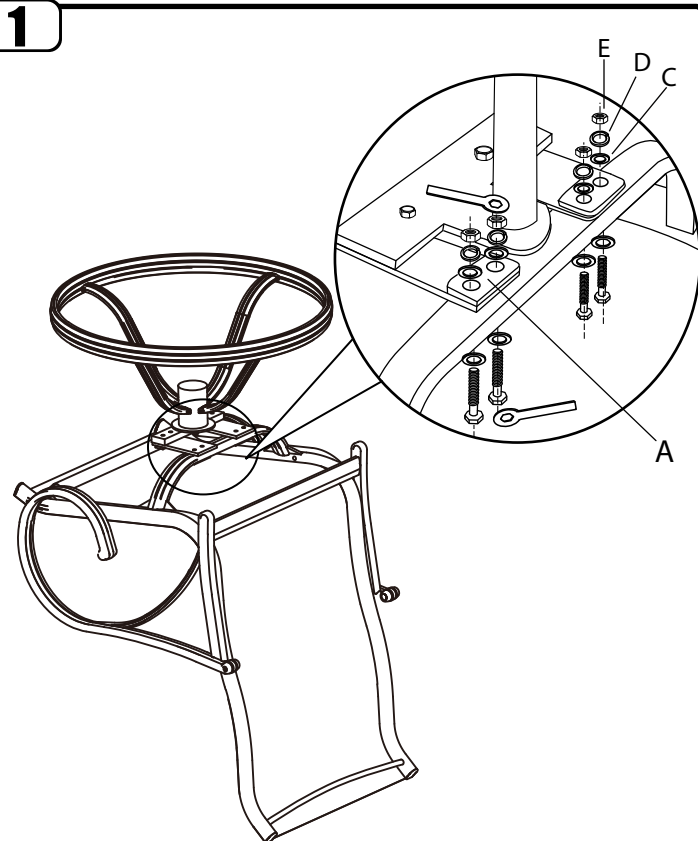
**! WARNING:** ADULT ASSEMBLY REQUIRED. CONTAINS SMALL PARTS, SHARP POINTS AND EDGES. DO NOT CLIMB, LEAN, SIT, STAND OR PULL ON UNIT FOR SUPPORT.

### Hardware Included

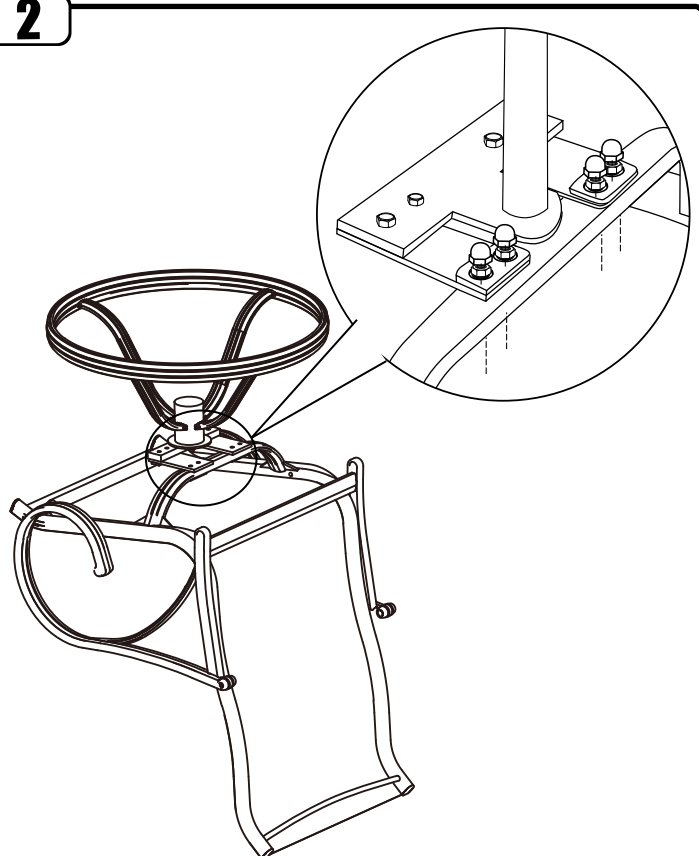


A. BACKUP PLATE(2) B. BOLT (4) C. WASHER (8) D. SPRING WASHER (4) E. NUT (4) F. PLASTIC CAP (4) G. BOX END WRENCH (2)

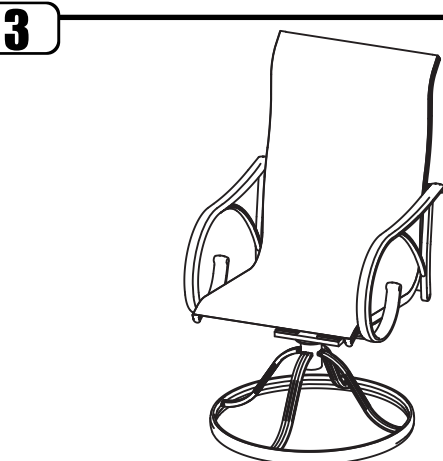
**IMPORTANT NOTE:** During assembly, turn chair upside down on carpet or padded surface to protect the finish.



- Attach chair seat on chair bottom as shown with Bolts(B), Washers(C), Backup Plates(A), Spring Washers(D) and Nuts(E).



- Put on Plastic Caps (F).



- Turn over the chair. Your chair is now ready to use.

**IMPORTANT:** Periodically check all connections to make sure they are tight and secure.

Retain these instructions for future reference.

### Care Instructions:

#### Mesh Fabric Cleaning/Care:

Brush off loose dirt from chairs. Use a mild soap and water to clean. Apply this solution directly to heavily soiled areas. Do NOT use detergent. Wipe entire chair with a damp rag or sponge. Rinse thoroughly with clean water. Air dry thoroughly before reattaching the pillows.