

Royal Hardtop Gazebo

Item#: L-GZ066PST



Congratulations on your purchase of our SUNJOY Royal Hardtop Gazebo. Our clear, easy to follow, step-by-step instructions will guide you through the assembly process from start to finish.

WARNING:

- THIS UNIT IS **HEAVY!** For safety, DO NOT assemble this item alone. 6 to 8 people are recommended for safe assembly.
- Keep all children and pets away from assembly area. Children and pets should be supervised when they are in the assembly area of the Gazebo.
- Do not assemble less than 6 ft / 1.8 m from any obstruction such as a fence, garage, house, overhanging branches, laundry line or electrical wires.
- Some parts may contain sharp edges. Wear protective gloves.
- When assembling and using this product, basic safety precautions should always be followed to reduce the risk of personal injury and damage to equipment. Please read all instructions before assembly and usage.
- For outdoor use only. Install on level ground.
- Check all bolts for tightness before and during usage.


































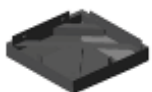

IMPORTANT

Please take time to read these instructions thoroughly and follow each step carefully for safe and easy operation. Keep this manual for future reference.

For technical assistance on assembly or replacement parts, call Sunjoy Industries at [1-866-578-6569](tel:1-866-578-6569) from 8:30AM to 5:30PM EST, or email us at sams@sunjoygroup.com, or visit www.sunjoydirect.com for assistance.

Parts List

NOTE: Please lay something underneath all the parts to avoid scratching.

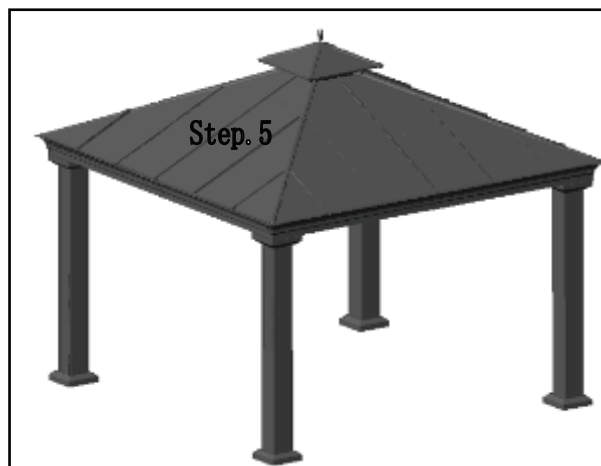
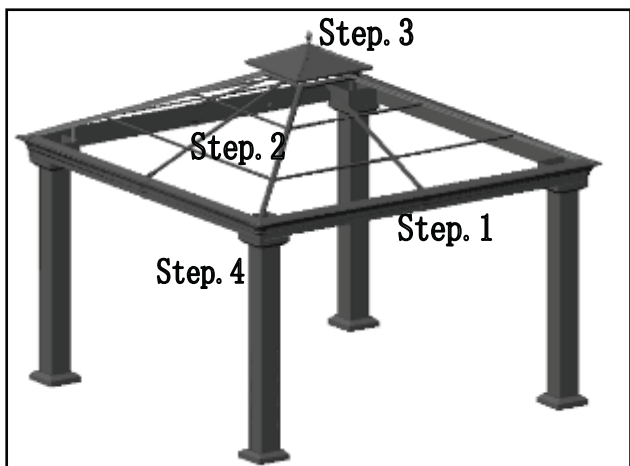
1A (x4)	Left Rain Gutter		1B (x4)	Right Rain Gutter	
1C (x4)	Straight Pole Connector		1D (x4)	Tilting Pole Connector	
2A (x4)	Top Tilting Pole		2B (x4)	Top Straight Pole	
2C (x4)	Top Long Connector (left)		2D (x4)	Top Long Connector (right)	
2E (x4)	Top Short Connector (left)		2F (x4)	Top Short Connector (right)	
2G (x1)	Small Top Frame		3A (x1)	Finial	
3B (x1)	Small Top cover		3C (x4)	Small Top Roof Sheet	
3D (x4)	Small Frame Corner cover		3E (x4)	Small Top Tilting Pole	
3F (x1)	Center Fitting		4A (x4)	Top Large Roof Sheet (left)	
4B (x4)	Top Large Roof Sheet (right)		4C (x4)	Top Middle Roof Sheet (left)	
4D (x4)	Top Middle Roof Sheet (right)		4E (x4)	Top Small Roof Sheet (right)	
4F (x4)	Top Small Roof Sheet (left)		4I (x16)	Long Cover Presser	
4J (x8)	Short Cover Presser		4K (x1)	Hanger Pole	
4L (x1)	Hook		4M (x4)	Upper Cover Peg	
5A (x4)	Large Roof Down Cover		5B (x4)	Large Roof Upper Cover	
6A (x4)	Column		6B (x4)	Column Base	
6C (x4)	Base Protector		6D (x4)	Column Top	
6E (x4)	L-Shaped Cover				

Tools Required For Assembly (not included):

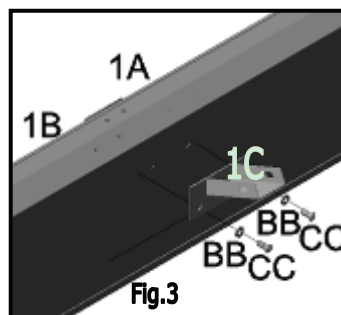
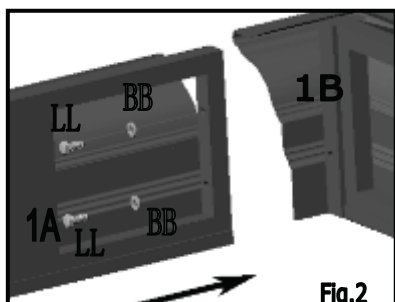
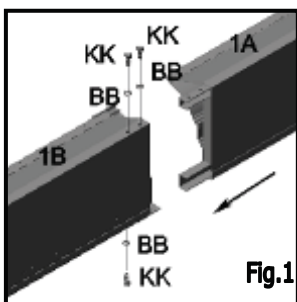
- Phillips screwdriver
- Hammer
- Drill
- Ladder (minimum 8.2 ft / 2.4 m)

Item Identification

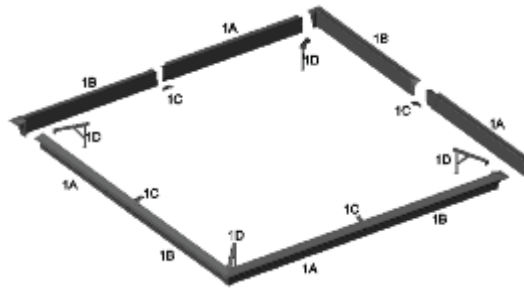
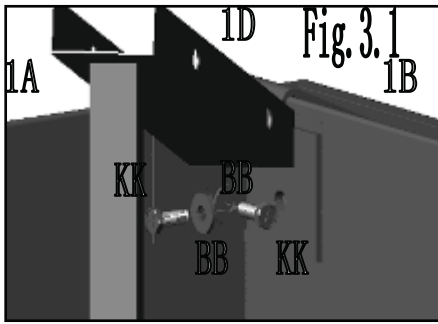
For ease of identification, all parts are labeled to correspond to the step number in which the part is used. The Gazebo is designed to be constructed in 6 main steps as outlined below.







STEP #1 – RAIN GUTTER		
LL (x8)	Bolt M6 x35mm	
BB (x36)	Flat Washer M6	
CC (x8)	Screw M6 x 15mm	
KK (x20)	Screw M6 x 15mm	
WW (x2)	Wrench M6	

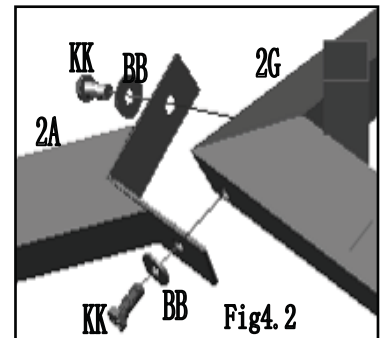
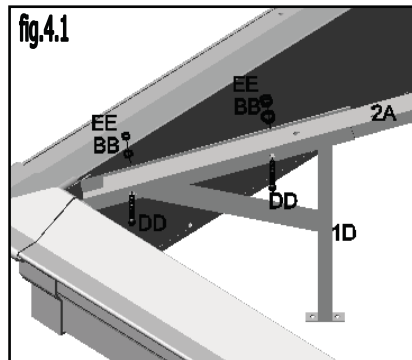
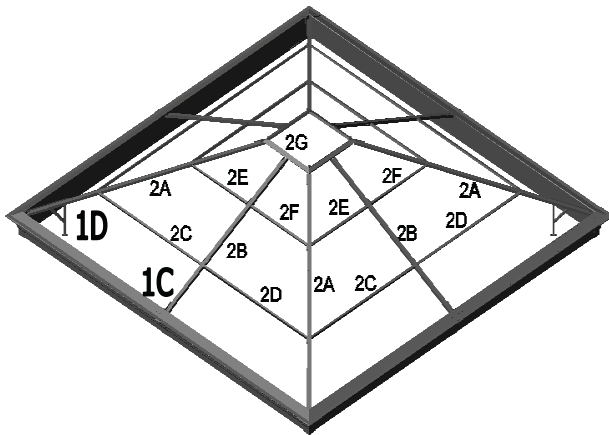


1. Insert Left Rain Gutter (1A) into Right Rain Gutter (1B),tighten with Screw (KK) and Flat Washer BB. (Fig.1) Note: Do not tighten the other side.
2. Insert 1 of the rest Left Rain Gutter (1A) into baffle on assembled Right Rain Gutter(1B),tighten with Bolt (LL) and Flat Washer (BB) .(Fig. 2)
3. Connect Straight Pole Connector (1C) with assembled Left Rain Gutter (1A) and Right Rain Gutter (1B), tighten with Flat Washer (BB) and Screw (CC). (Fig 3)

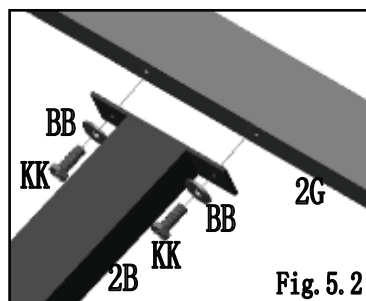
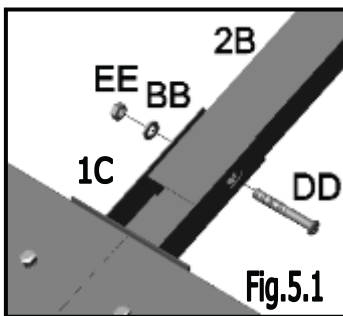


Connect Tilting Pole Connector (1D) with assembled Left Rain Gutter (1A) and Right Rain Gutter (1B), tighten with Screw (KK) and Flat Washer (BB).(Fig.3-1)

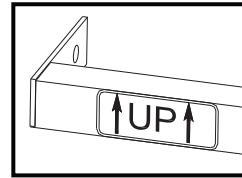
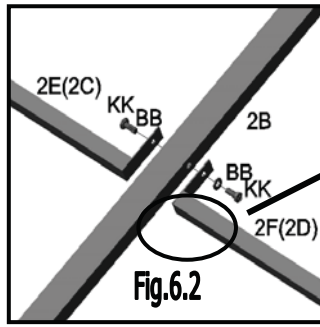
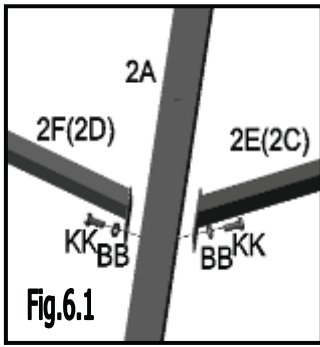
STEP #2 – LARGE TOP FRAME		
BB (x60)	Flat Washer M6	
KK (x48)	Screw M6 x 15mm	
DD (x12)	Screw M6 x 55mm	
EE (x12)	Nut M6	








1. Attach one end of Top Tilting Pole (2A) to Tilting Pole Connector (1D). Tighten with Screw (DD) ,Flat Washer (BB) and Nut EE. (Fig 4.1). Attach the other end of Top Tilting Pole (2A) to Small Top Frame (2G), tighten with Screw (KK) and Flat Washer (BB). (Fig 4.2)

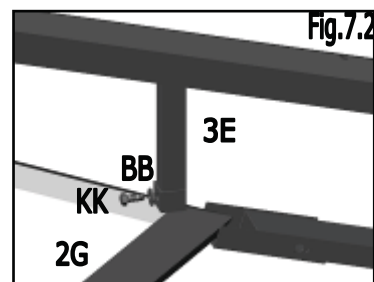
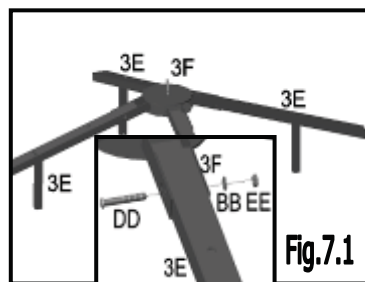
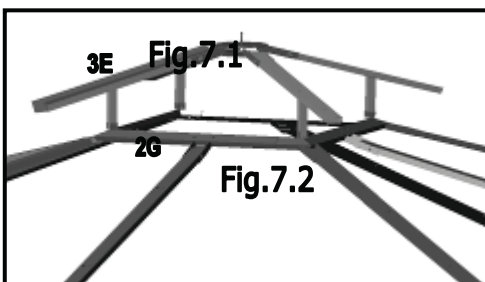


2. Attach one end of Top Straight Pole (2B) to Straight Pole Connector (1C). (Fig 5.1)
Attach the other end of Top Straight Pole (2B) to Small Top Frame (2G) tighten with Screw (KK) and Flat Washer (BB).(Fig 5.2)



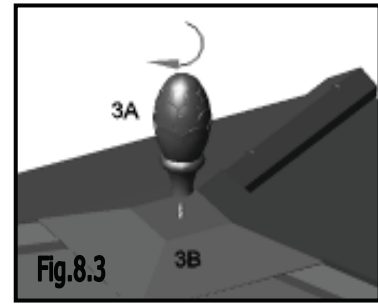
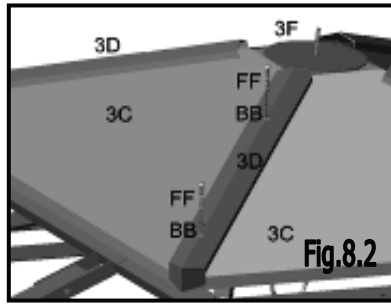
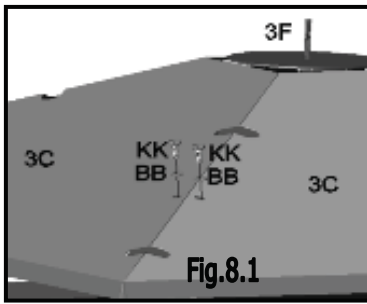
3. Connect Top Short Connectors Left (2E) and Right (2F), Top Long Connectors Left (2C) and Right (2D) to Top Straight Poles (2B) and Top Tilting Poles (2A) by using Flat Washer (BB) and Screw (KK) (Fig 6.1, Fig 6.2) (Note: UP label should be facing up)

STEP #3 – SMALL FRAME		
BB (x24)	Flat Washer M6	
KK (x12)	Screw M6 x 15mm	
DD (x4)	Screw M6 x 55mm	
EE (x4)	Nut M6	
FF (x8)	Screw M6 x 40mm	









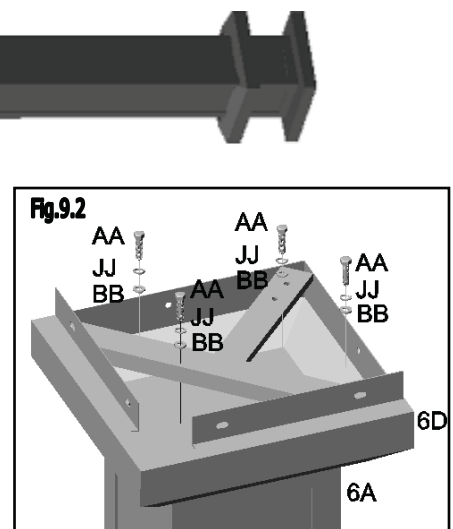
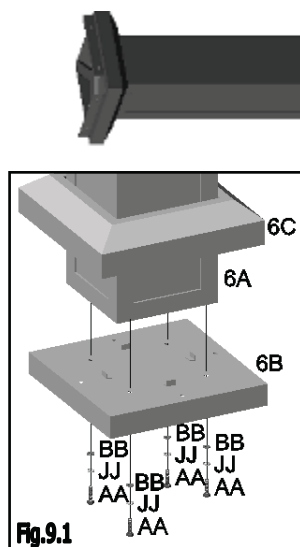
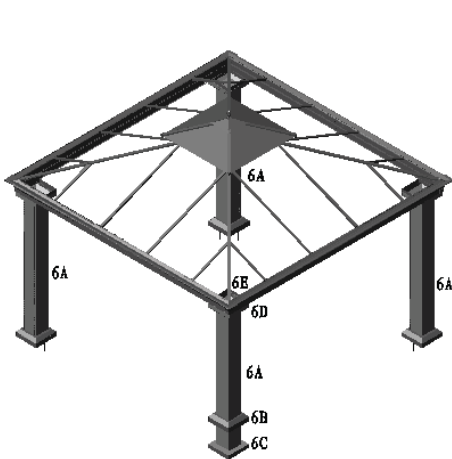
1. Attached Small Top Tilting Pole (3E) to Center Fitting (3F), tighten with Screw (DD), Flat Washer (BB) and Nut (EE). (Fig.7.1)

2. Attach the other end of Small Top Tilting Pole (3E) to Small Top Tilting Pole (3E), connect Small Top Tilting Pole (3E) and Small Top Connector (2G) by Screws (KK) and Flat Washer (BB). (Fig 8.2)

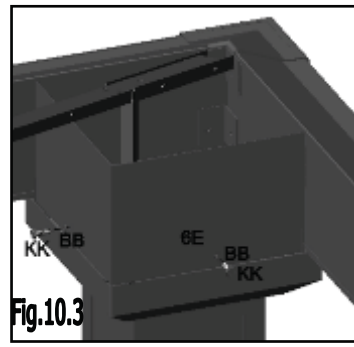
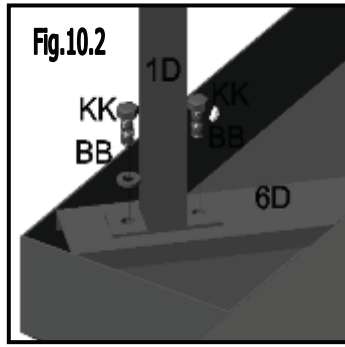
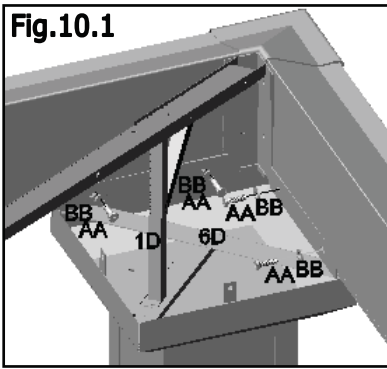


3. Place Small Top Roof Sheet (3C) to Small Top Frame, securing them with Screw (KK) and Flat Washer (BB) (Fig.8.1)..
4. Place Small Top Corner Cover (3D) to Small Top Roof Sheet (3C), securing them with Screw (FF) and Flat Washer (BB) (Fig. 8.2).
5. Attach Small Top Cover (3B) and Finial (3A) to Small Top Frame (3F) (Fig 8.3)

STEP #4 – COLUMNS		
AA (x48)	Bolt M6 x 20mm	
BB (x64)	Flat Washer M6	
JJ (x32)	Spring Washer M6	
KK (x16)	Bolt M6 x 15mm	
GG (x16)	Stakes $\Phi 8 \times 250$	
QQ (x16)	Expansion Bolt M6 x 70	



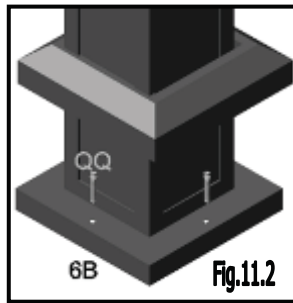
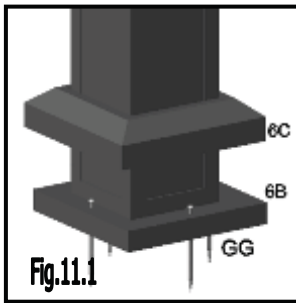
1. Slide Base Protector (6C) into Column (6A) before connecting to the Colum Base (6B)
Connect Column Base (6B) to Column (6A) with Bolt (AA), Spring Washer (JJ) and Flat Washer (BB). (Fig 9.1)
2. Fasten Column (6A) and Column Top (6D) with Bolts (AA), Spring Washers (JJ) and Flat Washers (BB). (Fig 9.2)



3. Attach assembled Column Top (6D) to Left Rain Gutter (1A) and Right Rain Gutter (1B), tighten with Bolt (AA) and Flat Washer (BB). (Fig 10.1)
4. Attach Tilting Pole Connector (1D) to Column Top (6D), tighten with Bolt (KK) and Flat Washer (BB). (Fig 10.2)
5. Attach L-Shaped Cover (6E) to Column Top (6D), tighten with Bolt (KK) and Flat Washer (BB). (Fig 10.3)

For Set Up on Soft Ground

For Set Up on Hard Ground



6. Place the Stakes (GG) through the Column Base (6B) into the ground (Fig 11.1)
7. Drill 4 holes ($\varnothing 10 \times 80\text{MM}(\text{min})$) into the ground with a percussion drill. Align the Column Base (6B) with the drilled holes and fasten with the Expansion Bolt (QQ).(Fig 11.2)

STEP #5 – ROOF PART 1

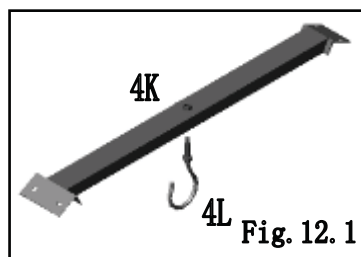
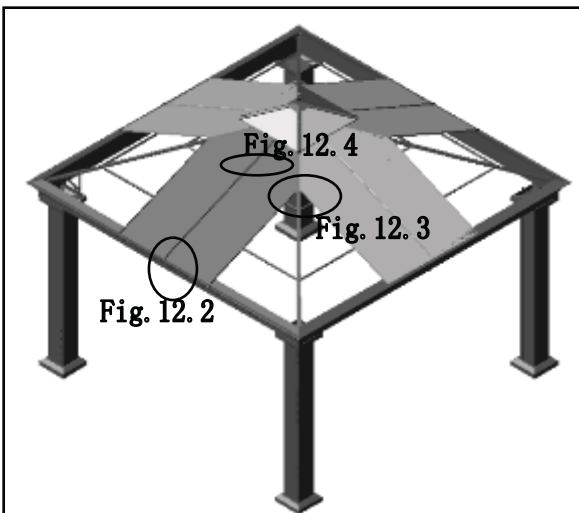
KK (x80) Bolt M6 x 15mm

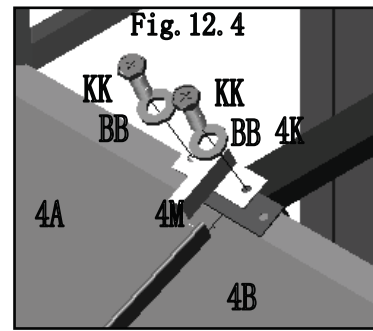
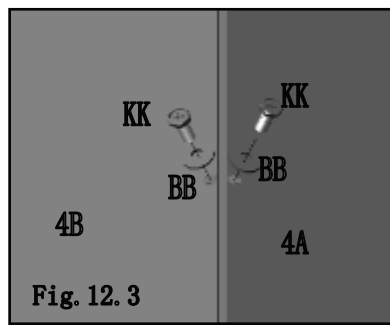
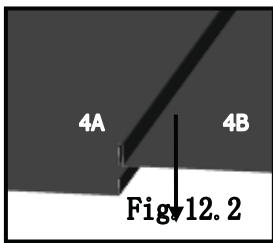


FF (x8) Screw M6 x 40mm

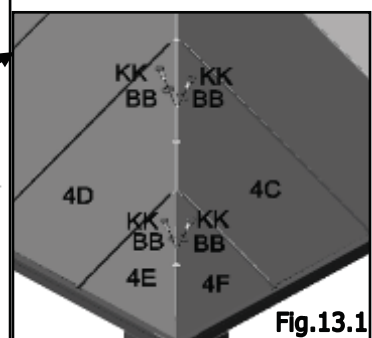
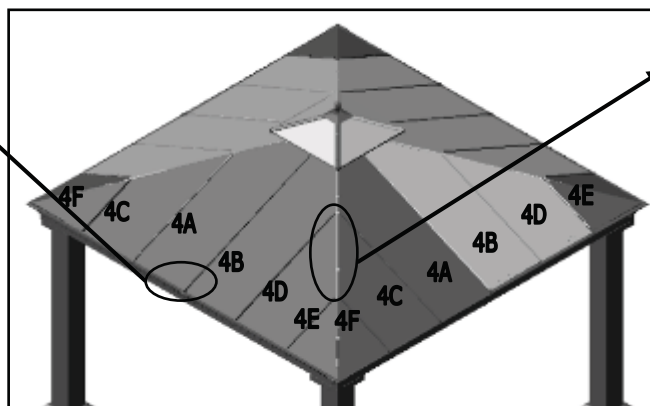
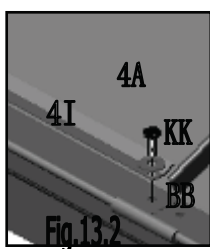


BB (x88) Flat Washer M6

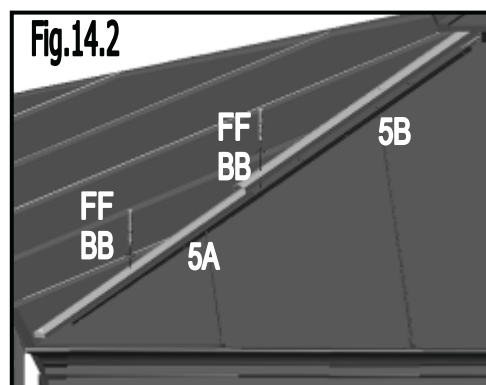
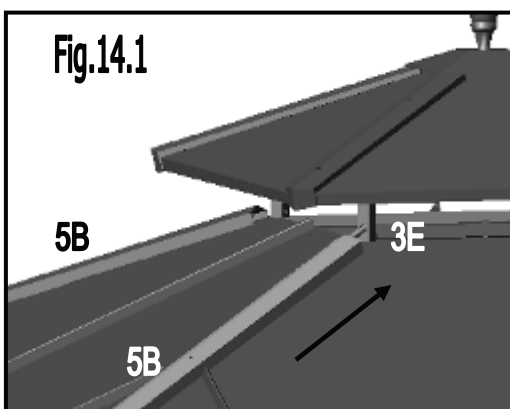









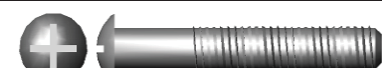


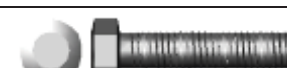


1. Place Planter Hook (4L) to Hanger Pole (4K).(Fig 12.1)
2. Place Top Large Roof (4A) and Top Large Roof Sheet (4B) on Top Frame, fasten with Bolts (KK) and Flat Washer (BB). (Fig 12.2, Fig 12.3) Repeat for remaining sides.
3. Attach Hanger Pole (4K) to Small Top Frame (2G) with Upper Cover Peg (4M) on, tighten with Bolt (KK) and Flat Washer (BB).(Fig.12.4)



4. Attach the remaining Top Large Roves (4C),(4D),(4E),(4F) onto Top Tilting Poles (2A). (Fig 13.1)
5. Place the long Cover Presser (4I) and Short Cover Presser (4J) on the Top of Roof Sheets, tighten with Bolt (KK) and Flat Washer (BB). (Fig 13.2)



6. Insert one end of Large Roof Upper Cover (5B) into holes on Small Top Tilting Pole (3E), pressed the other end of Large Roof Down Cover (5A),Tighten with Screw (FF) and Flat Washer (BB). Assembly Completed!

Back up hardware pack		
AA (x2)	Bolt M6 x 20mm	
BB (x6)	Flat Washer M6	
CC (x2)	Screw M6 x 15mm	
DD (x1)	Screw M6 x 55mm	
EE (x2)	Nut M6	
FF (x1)	Screw M6 x 40mm	
JJ (x2)	Spring Washer M6	
KK (x4)	Bolt M6 x 15mm	
LL (x1)	Bolt M6 x 35mm	
GG (x1)	Stakes $\Phi 8 \times 250$	
QQ (x1)	Expansion Bolt M6 x 70	

Care & Maintenance

Steel components of garden accessories and furniture are treated with rust inhibiting paint. However, due to the nature of steel, surface oxidation (rusting) will occur if this protective coating is scratched.

To minimize this condition, it is recommended that care be taken when assembling and handling the product, in order to prevent the paint from being scratched.

Limited Warranty:

Sunjoy Industries warrants to the original purchaser that this item is free from defects in workmanship and materials for a period of 2 year from the date of purchase, provided the item was factory-sealed at the time of purchase and is maintained with care and used only for personal, residential purposes. Should any manufacturing defect arise within this warranty period, Sunjoy Industries will repair or replace (at our option) any defective merchandise upon proof of purchase; however, transportation and delivery costs, as well as payments to a third party for assembly or disassembly of the item, remain the responsibility of the purchaser. A purchaser of an "open box," previously-returned, or "clearance" item, as well as original purchasers outside of the warranty period, may obtain replacement parts from Sunjoy Industries for products in current production, at nominal cost.

Exclusions:

Items used for commercial, contract, or other non-residential purposes, or items damaged due to acts of nature, vandalism, misuse, or improper assembly are not covered. Corrosion or rusting of hardware is not covered. Proof of purchase (dated register receipt) is required for warranty claims. Warranty is to the original purchaser and is non-transferable. Any replacement of warranted items will be in the original style and color, or a similar style and color if the original is unavailable or has been discontinued. As some states do not allow exclusions or limitations on an implied warranty, the above exclusions and limitations may not apply. This warranty gives you specific rights, and you may also have other rights, which vary from state to state.