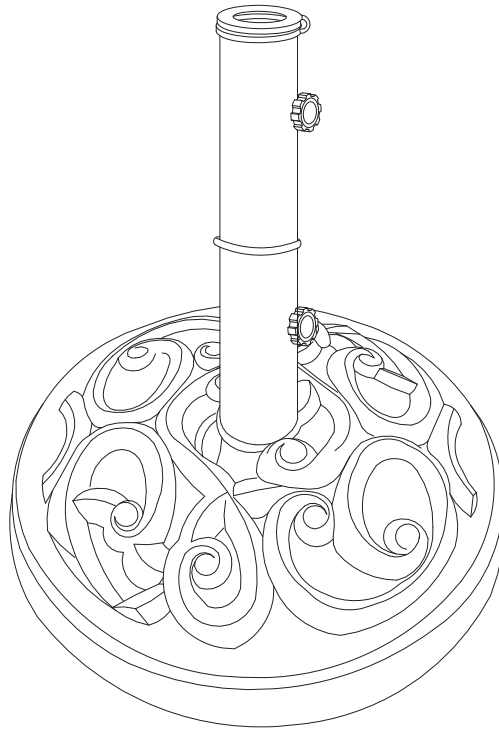


Polymer Concrete Umbrella Base

Item# L-UB381PCM-50C



Congratulations on your purchase of our SUNJOY Polymer Concrete Umbrella Base. Our clear, easy to follow, step-by-step instructions will guide you through the assembly process from start to finish.

WARNING:

- Keep all children and pets away from assembly area. Children and pets should be supervised when they are in the area of the Umbrella Base construction.
- Keep assembly area at least 6 feet from any obstruction such as a fence, garage, house, overhanging branches, laundry line or electrical wires.
- Some parts may contain sharp edges. When assembling and using this product, basic safety precautions should always be followed to reduce the risk of personal injury and damage to the product. Please read all instructions before assembly and use.
- For outdoor use only.
- Check all bolts for tightness before use. **IMPORTANT** - check and tighten bolts often to keep them secure!

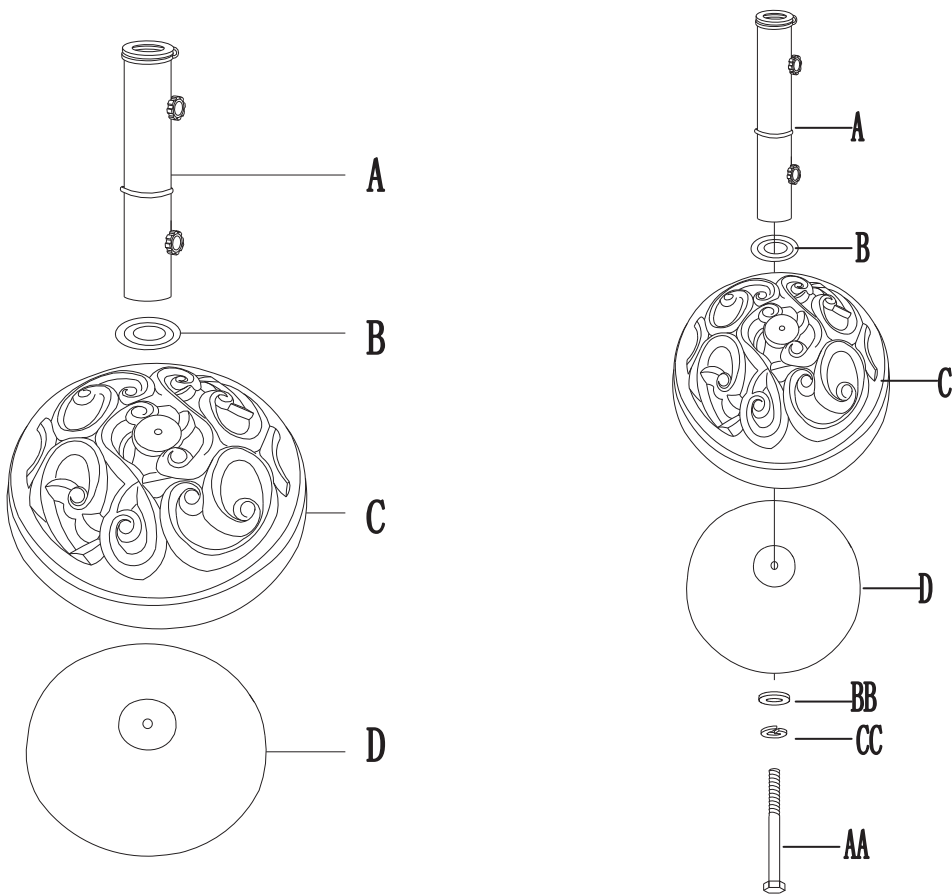
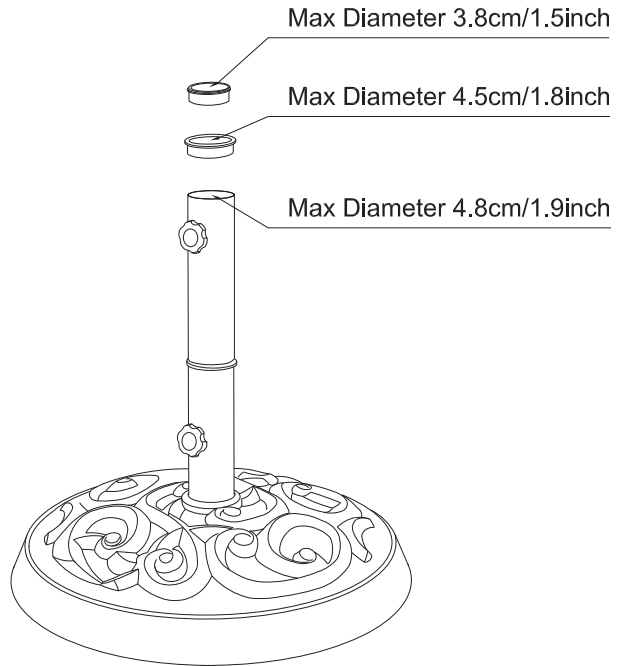
IMPORTANT

Please take time to read these instructions thoroughly and follow each step carefully for safe and easy operation. Keep this manual for future reference.

For technical assistance on assembly or replacement parts, call Sunjoy Industries at [1-866-578-6569](tel:1-866-578-6569) from 8:30AM to 5:30PM EST, or email us at sams@sunjoygroup.com, or visit www.sunjoydirect.com for assistance.

Parts List

No	Description	Qty
A	Umbrella Pole	1
B	Plastic Washer	1
C	Umbrella Base	1
D	Base	1
AA	Bolt M10*100	1
BB	Flat Washer M10	1
CC	Spring Washer M10	1
DD	Wrench M10	1



Step: Put Base (D) under the Umbrella Base (C), then put Plastic Washer (B) on the circle of the Umbrella Base (C), put Umbrella Pole (A) into Plastic Washer (B). Use Wrench (DD) to lock Bolt (AA), Flat Washer (BB), Spring Washer (CC) and Umbrella Pole (A) tight. Assembly Completed!

Care & Maintenance

Before using, clean the Umbrella Base completely with a soft dry towel. When not in use, wipe free of any dirt or loose objects, wash with a mild solution of soap and water; rinse thoroughly and dry completely. Do not use strong detergent or abrasive cleaners. When not in use, recommend the use of patio furniture covers.

Limited Warranty:

Sunjoy Industries warrants to the original purchaser that this item is free from defects in workmanship and materials for a period of 1 year from the date of purchase, provided the item was factory-sealed at the time of purchase and is maintained with care and used only for personal, residential purposes. Should any manufacturing defect arise within this warranty period, Sunjoy Industries will repair or replace (at our option) any defective merchandise upon proof of purchase; however, transportation and delivery costs, as well as payments to a third party for assembly or disassembly of the item, remain the responsibility of the purchaser. A purchaser of an "open box," previously-returned, or "clearance" item, as well as original purchasers outside of the warranty period, may obtain replacement parts from Sunjoy Industries for products in current production, at nominal cost.

Exclusions:

Items used for commercial, contract, or other non-residential purposes, or items damaged due to acts of nature, vandalism, misuse, or improper assembly are not covered. Corrosion or rusting of hardware is not covered. Proof of purchase (dated register receipt) is required for warranty claims. Warranty is to the original purchaser and is non-transferable. Any replacement of warranted items will be in the original style and color, or a similar style and color if the original is unavailable or has been discontinued. As some states do not allow exclusions or limitations on an implied warranty, the above exclusions and limitations may not apply. This warranty gives you specific rights, and you may also have other rights, which vary from state to state.