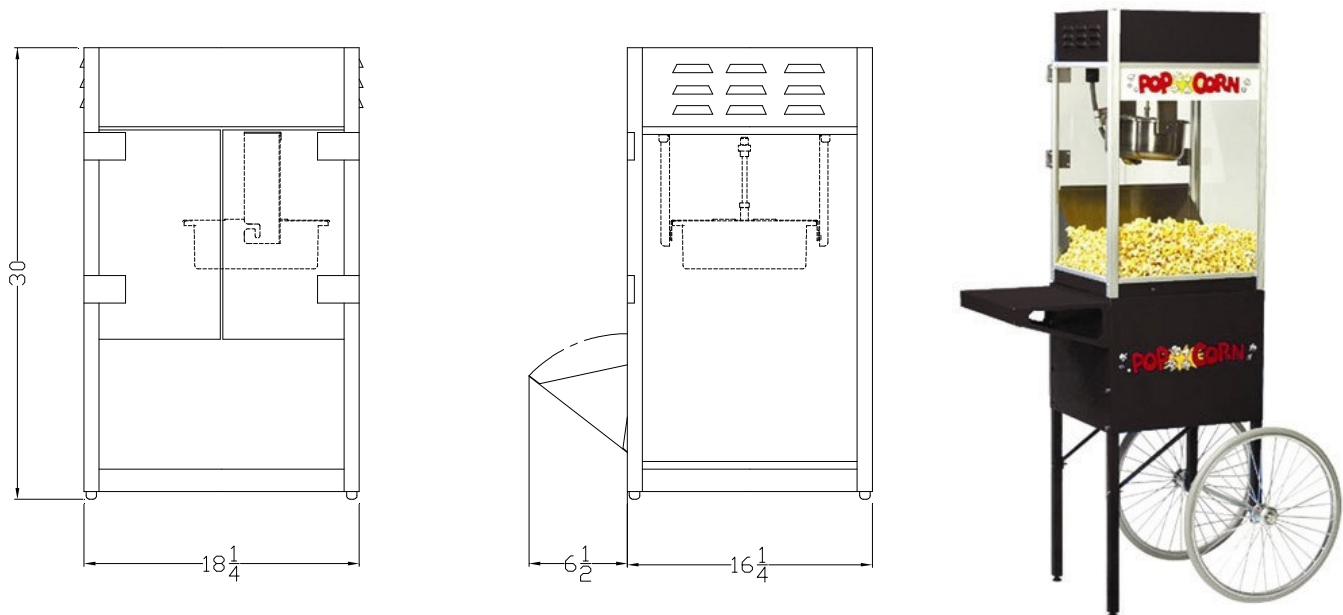


## Model 2085CLBKC – 6oz Popcorn Popper with Cart



### Electrical Specifications for Popper 2085CLBK:

120V, 60Hz, 1220 Watts, 10.2 amps  
15 Amp Plug (NEMA 5-15P), 5 Ft. Long

### Dimensions:

Popper - 18 1/4" Wide x 16 1/4" Deep x 30" High  
Cart – 38" Wide (shelf to wheel) x 23" Deep x 34" High

Weight: 84 lbs.

### Popper Features:

- 6 oz Stainless Steel Unimaxx /EZ Kleen Kettle
- Lighted cabinet interior
- Heated popcorn deck keeps popcorn fresh
- Powder coated dome and base, Textured Black
- Dual swing out acrylic doors lift off for cleaning
- Heavy Duty Stir Motor

Agency Approvals : UL, CUL, NSF Sanitation

**Gold Medal Products Co.**  
10700 Medallion Drive  
Cincinnati, Ohio 45241-4807  
Phone: (513) 769-7676 Fax: (513) 769-8500  
Email: [www.gmpopcorn.com](http://www.gmpopcorn.com)

Revised: 4/08