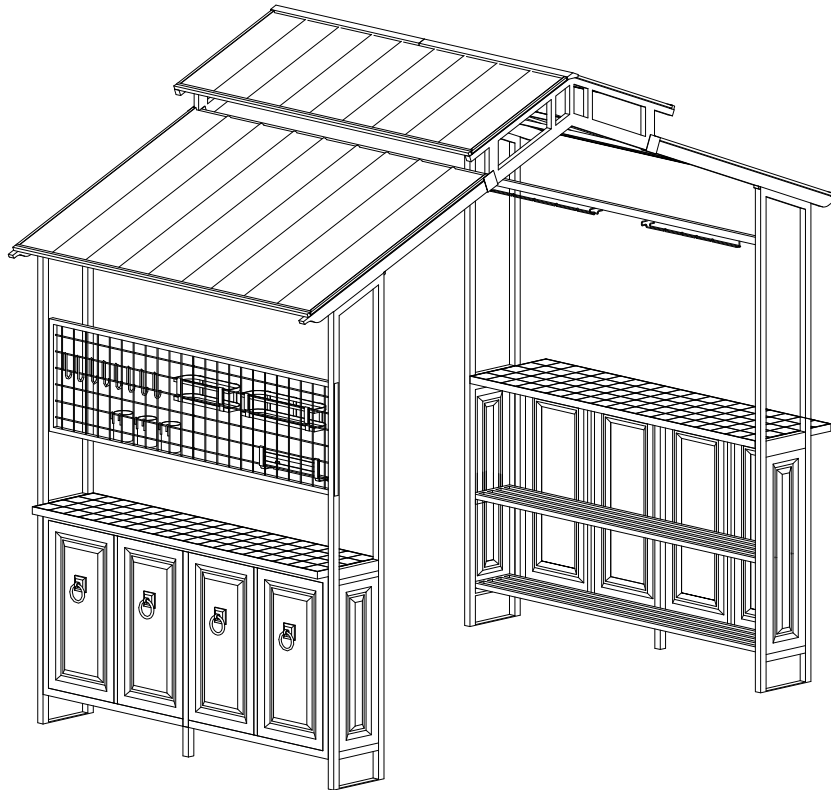


# Dunkirk Grill Gazebo

Item#: L-GZ326PST-2B



**Congratulations on your purchase of our SUNJOY Dunkirk Grill Gazebo. Our clear, easy to follow, step-by-step instructions will guide you through the assembly process from start to finish.**

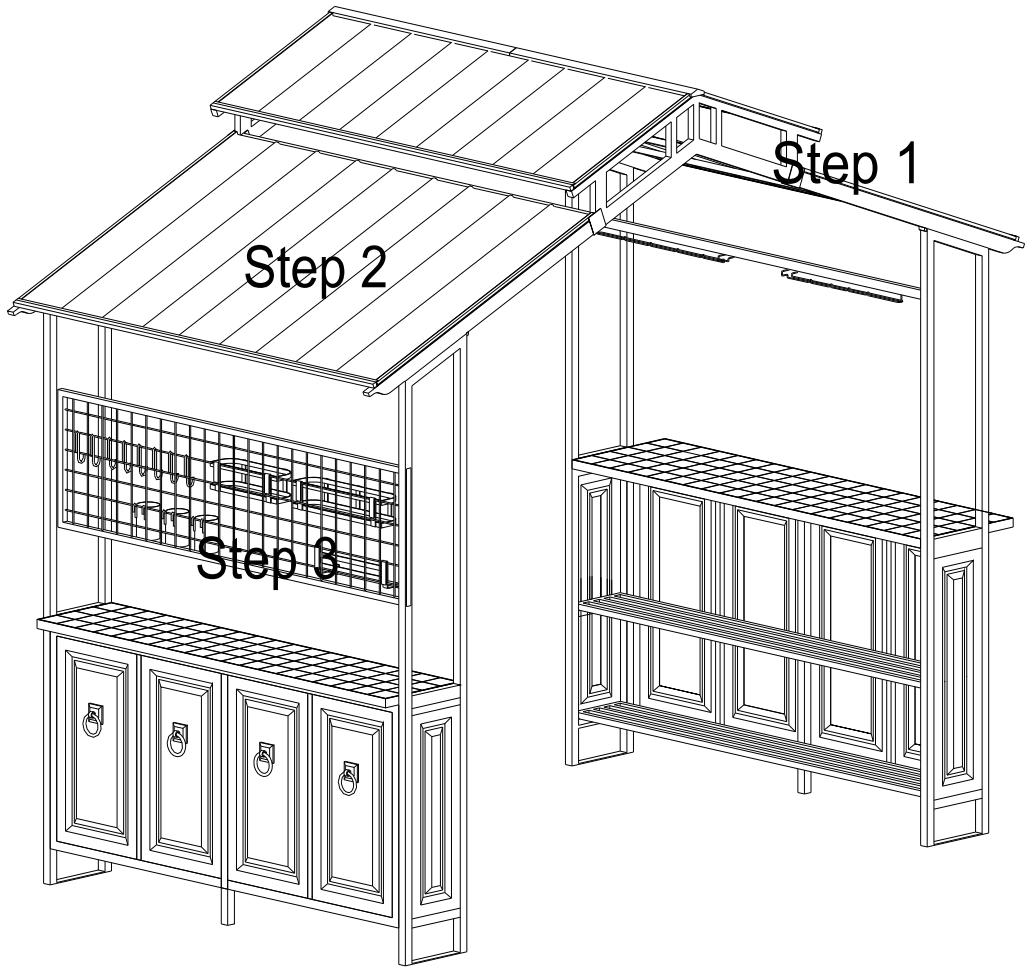
## **WARNING:**

- Read and follow all Warnings & Assembly Instructions before attempting to assemble.
- Keep all children and pets away from assembly area. Children and pets should be supervised when they are in the area of construction.
- Keep assembly area at least 6 feet from any obstruction such as a fence, garage, house, overhanging branches, laundry line, or electrical wires.
- Some parts may contain sharp edges. When assembling and using this product, basic safety precautions should always be followed to reduce the risk of personal injury and damage to the product.
- Assemble on level ground.
- Check all bolts for tightness before use, and periodically check and tighten bolts as necessary.
- This unit is heavy. Do not assemble this item alone.

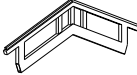
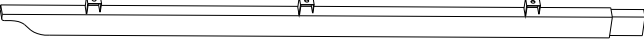

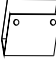
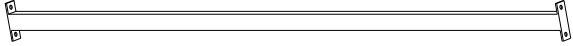


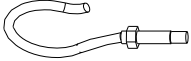

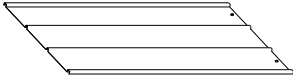
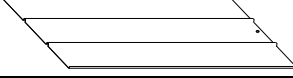
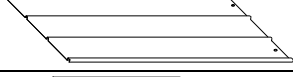

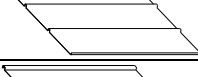
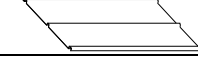
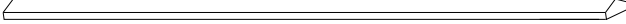

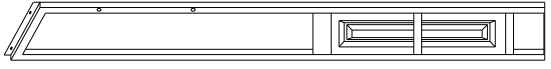
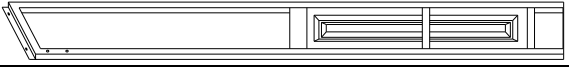
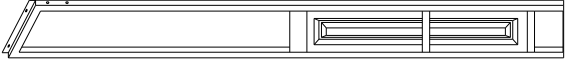

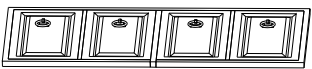
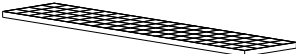
## **IMPORTANT**

Please take time to read these instructions thoroughly and follow each step carefully for safe and easy operation. Keep this manual for future reference.

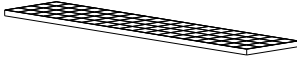





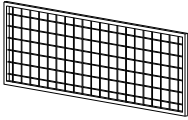
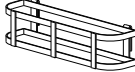
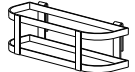
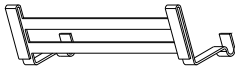
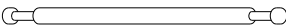
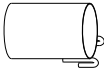

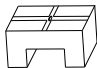
For technical assistance on assembly or replacement parts, call Sunjoy Industries at [1-866-578-6569](tel:1-866-578-6569) from 8:30AM to 5:30PM EST, or email us at [sams@sunjoygroup.com](mailto:sams@sunjoygroup.com), or visit [www.sunjoydirect.com](http://www.sunjoydirect.com) for assistance.



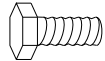

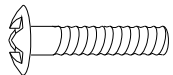
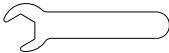
# Parts List

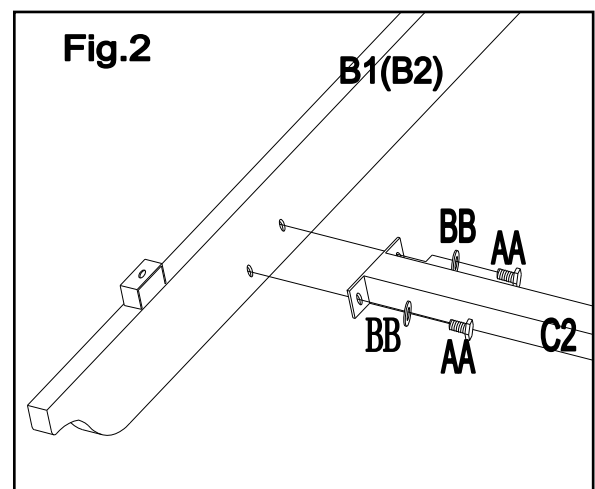
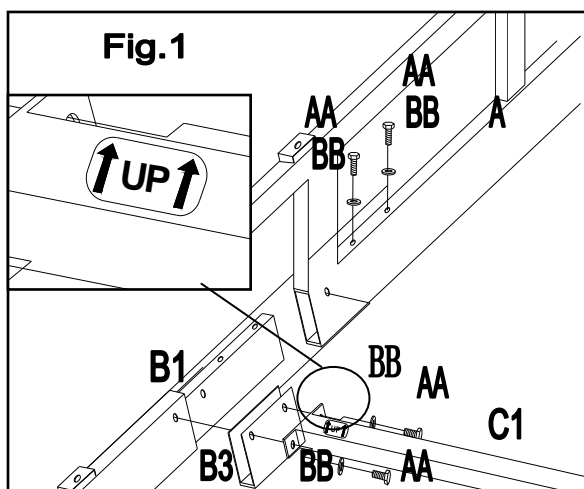
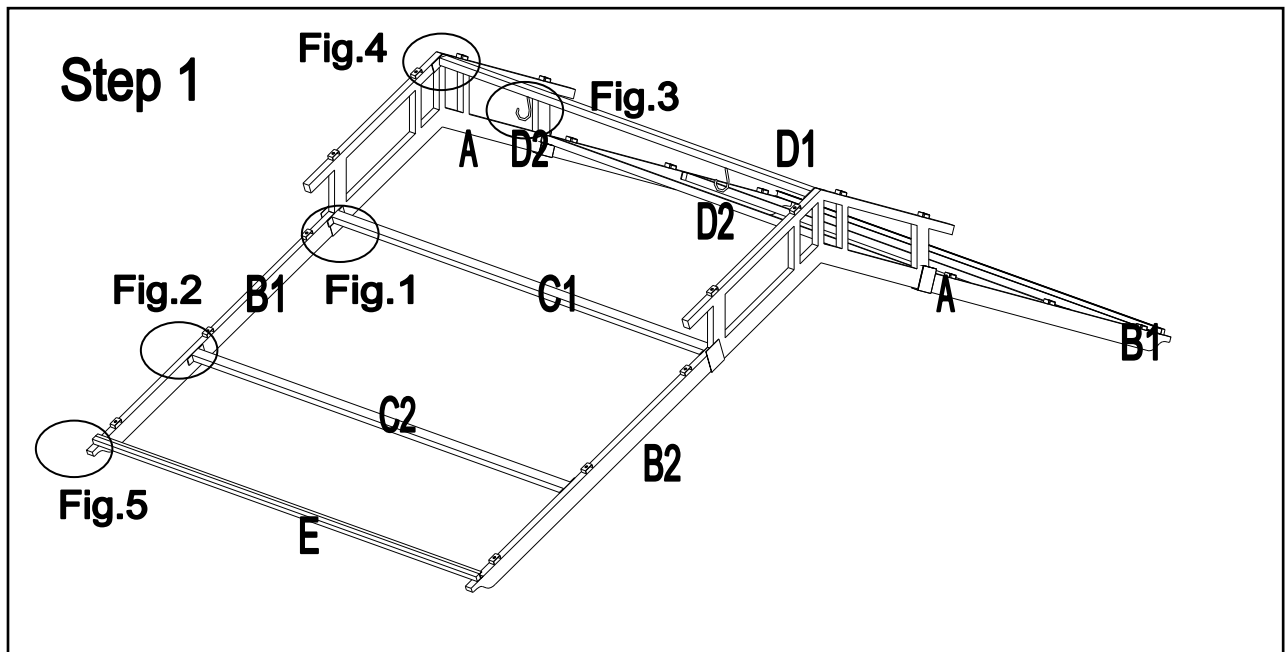
Top Screen	A	2	
Tilt Beam (1)	B1	2	
Tilt Beam (2)	B2	2	
Baffle	B3	4	
Upper Connection Pole	C1	2	
Lower Connection Pole	C2	2	
Top Connection Pole	D1	1	
Top Hook	D2	2	
Cover Supporting Bar	E	4	
Big Cover (1)	F1	2	
Big Cover (2)	F2	2	
Big Cover (3)	F3	2	
Small Cover (1)	G1	2	
Small Cover (2)	G2	2	
Small Cover (3)	G3	2	
Cover Panel	H	1	
Post (1)	I1	1	
Post (2)	I2	1	
Post (3)	I3	1	
Post (4)	I4	1	
Big Screen	J1	1	
Small Screen	J2	1	
Big Slate Table Top	K1	1	3 

## Parts List

Small Slate Table Top	K2	1	
Corner Slice	L	8	
Shelf 1	L1	2	
Shelf 2	L2	2	
Screen Foot	M	2	
Hanger Bar	N	1	
Grid	O	1	
Big Basket	P	1	
Small Basket	Q	1	
Paper Towel Rack	R	1	
Paper Towel Holder	S	1	
Cup	T	3	
Small Hook	U	8	
Cover Panel Presser	V	32	

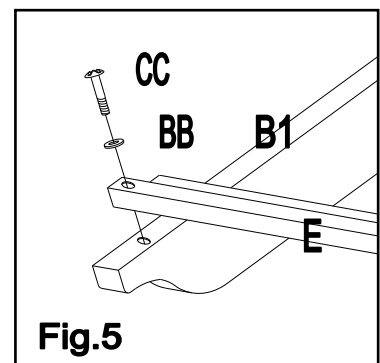
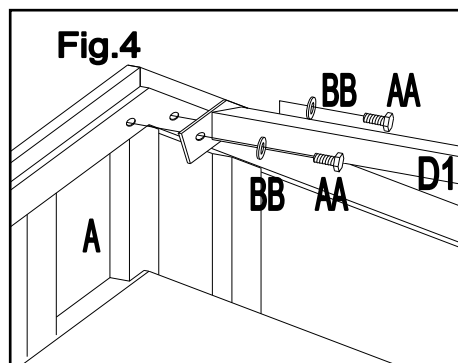
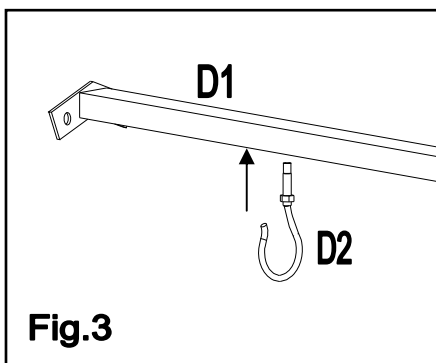
## Hardware Pack 1

AA	Screw M6X15	28 PCS	
BB	Flat Washer M6	32 PCS	
CC	Screw M6X30	4 PCS	
Z	Wrench M6	1 PC	



**Fig.1:** Insert Tilt Beam (B1) to Top Screen (A), and tighten them with Baffle (B3) by using Screw (AA) and Washer (BB). Same way for Tilt Beam (B2). Then tighten Upper Connection Pole (C1) to it by Screw (AA) and Washer (BB) (Side with mark “UP” up).

**Fig.2:** Tighten one end of Lower Connection Pole (C2) to Tilt Beam (B1), the other end of (C2) to (B2), with Screw (AA) and Washer (BB).


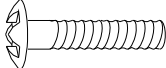
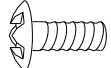
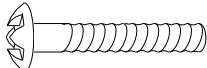


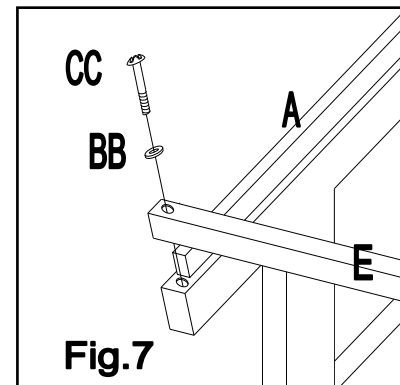
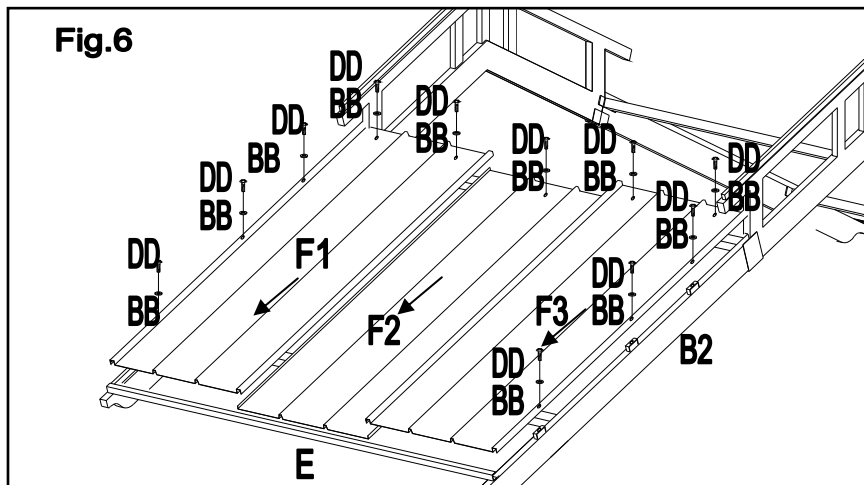
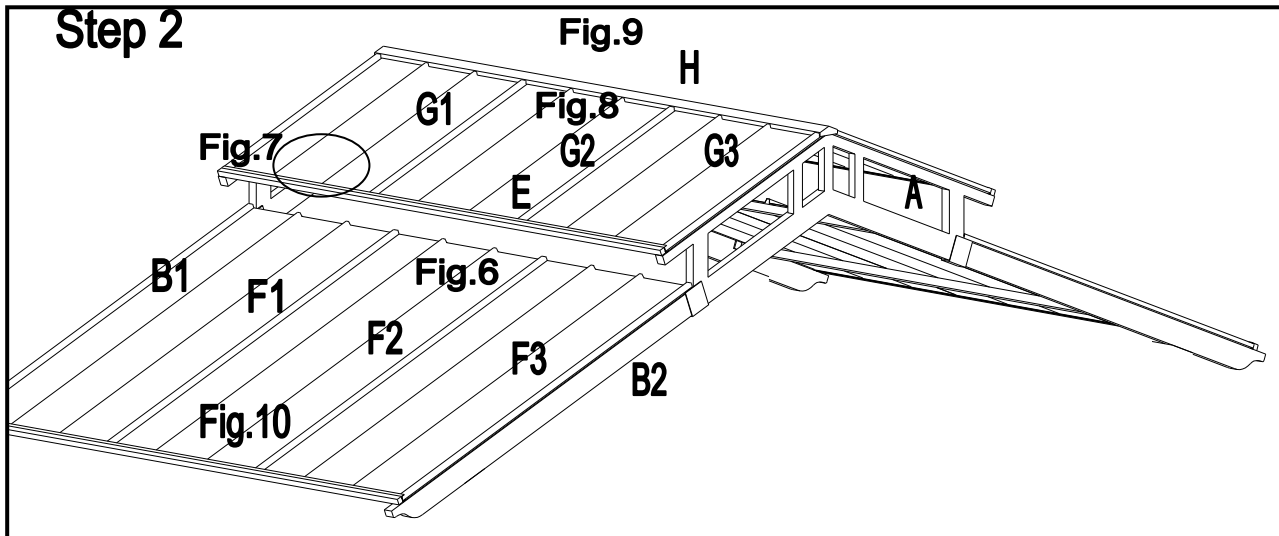
**Fig.3:** Attach Top Hook D2 to Top Connection Pole (D1).

**Fig.4:** Tighten Top Connection Pole (D1) with Top Screen (A) by using Screw (AA) and Washer (BB).

**Fig.5:** Tighten Cover Supporting Bar (E) to Tilt Beam (B1) and (B2) with Screw (CC) and Washer (BB).

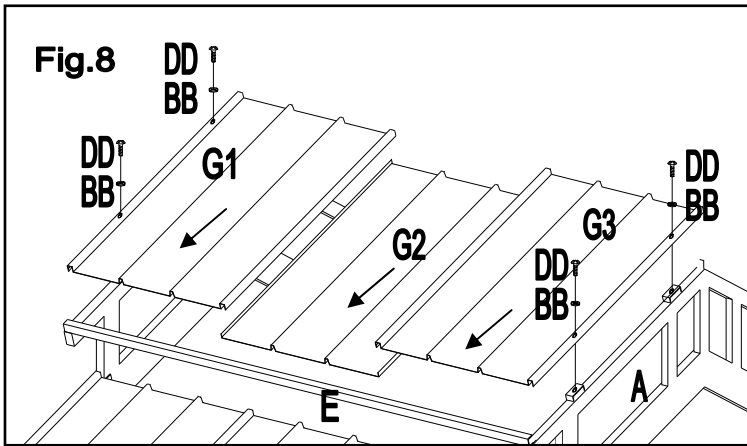
## Hardware Pack 2

BB	Flat Washer M6	36 PCS	
CC	Screw M6X30	4 PCS	
DD	Screw M6X15	30 PCS	
EE	Screw M6X40	2 PCS	

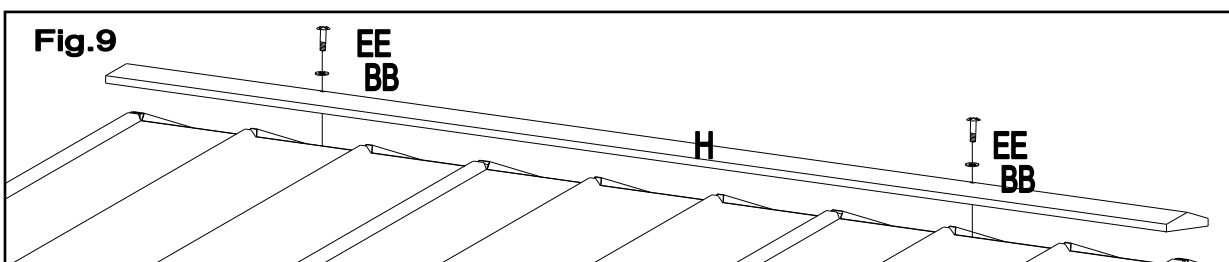


**Fig.6:** Insert the lower end of Big Cover (F2) to Cover Supporting Bar (E), and tighten the upper end of (F2) to Upper Connection Pole (C1) with Screw (DD) and Washer (BB). Insert the lower end of Big Cover (F1) and (F3) to (E), and tighten the upper and side of (F1), (F3) with Screw (DD) and Washer (BB).

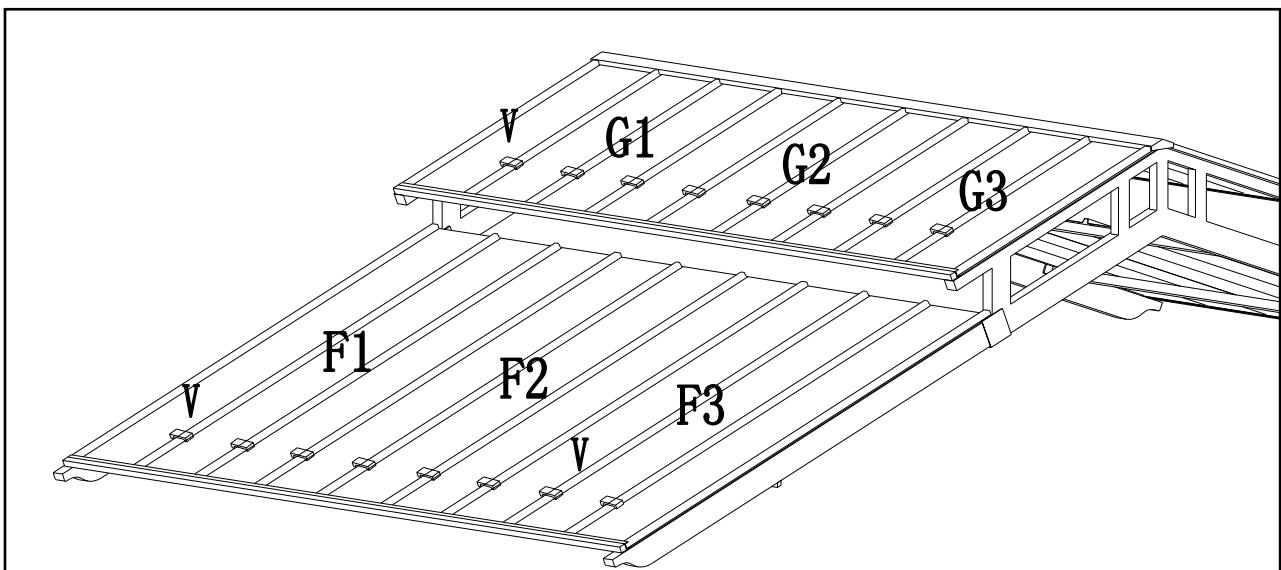
**Fig.7:** Tighten Cover Supporting Bar (E) to Top Screen (A) with Screw (CC) and Washer (BB).



**Fig.8:** Insert Small Cover (G2) to Cover Supporting Bar (E), and then insert Small Cover (G1), (G3) to Cover Supporting Bar (E). Tighten the side with Screw (DD) and Washer (BB).

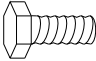

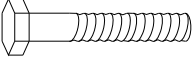
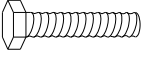

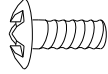



**Fig.9:** Tighten Cover Panel (H) to Top Connection Pole (D1) with Screw (EE) and Washer (BB).

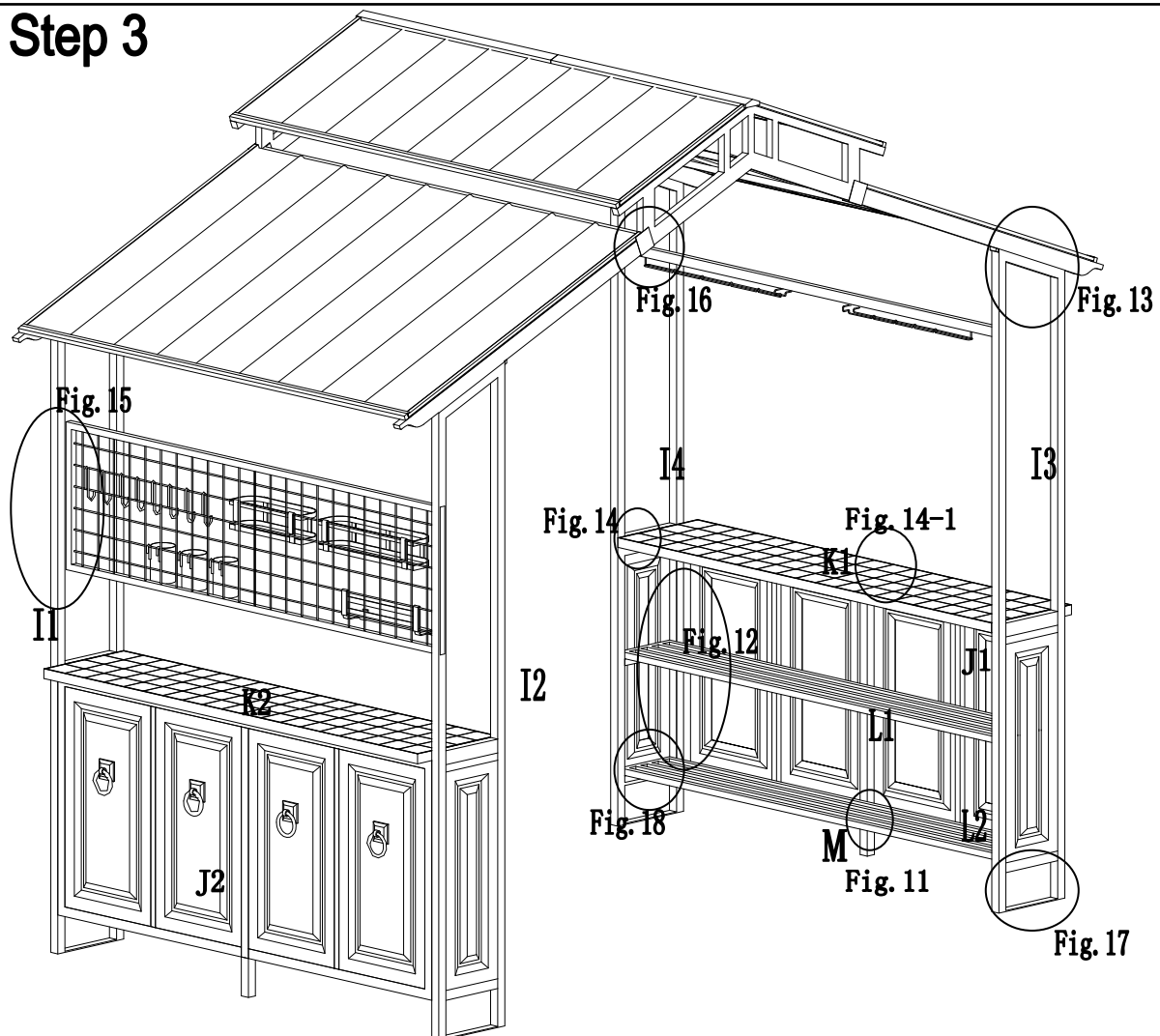


**Fig.10:** Fix Cover Panel Presser (V) to Cover (F1), (F2), (F3), Small Cover (G1), (G2) and (G3).

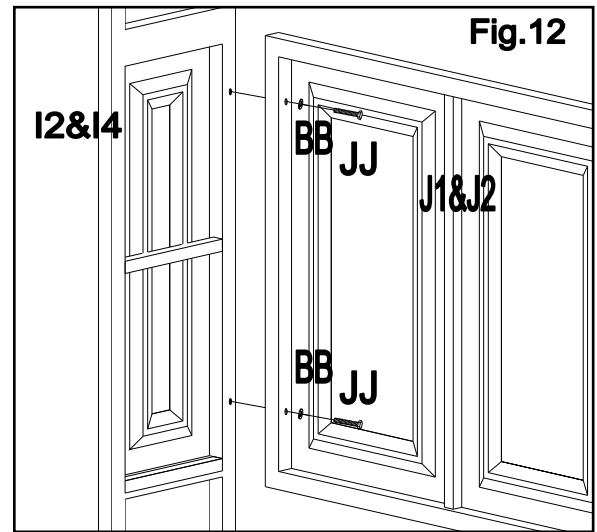
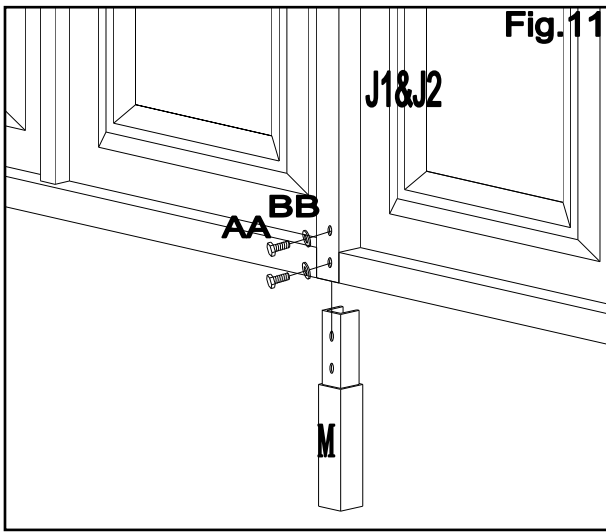
## Hardware Pack 3

AA	Screw M6X15	16PCS	
BB	Flat Washer M6	40PCS	
JJ	Screw M6X45	8 PCS	
FF	Screw SS Finish M6X35	4 PCS	
HH	Flat Washer SS Finish M6	4PCS	
DD	Screw M6X15	16 PCS	
II	Stake $\Phi 6 \times 180$	8 PCS	

## Step 3

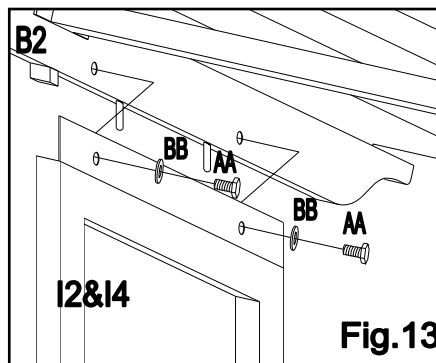
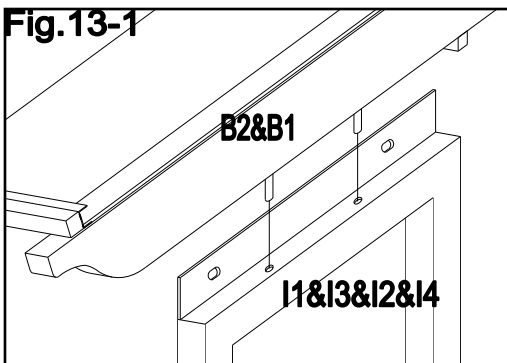






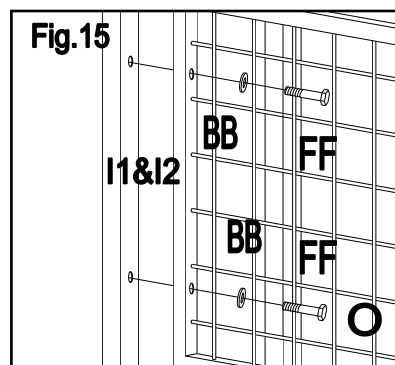
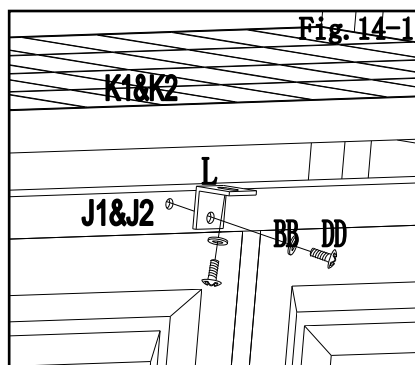
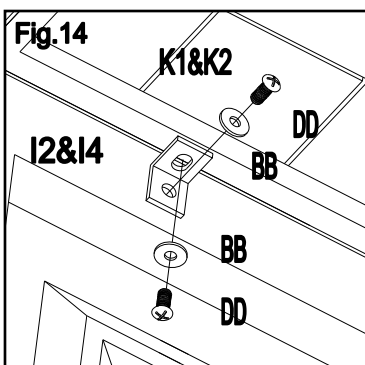
**Fig.11:** Tighten Screen Foot (M) to the Middle of Screen (J1 & J2) with Screw (AA) and Washer (BB).

**Fig.12:** Tighten one Screen (J2) to Post (I1 & I2) with Screw (JJ) and Washer (BB). Tighten another Screen (J1) to Post (I3 & I4).



**Fig 13-1:** Put up the assembled part, insert Tilt Beam (B1) and (B2) into the hole of Post (I1&I2&I3&I4).

**Fig.13:** Connect posts with Tilt Beam (B1), (B2) by using Screw (AA) and Flat Washer (BB).

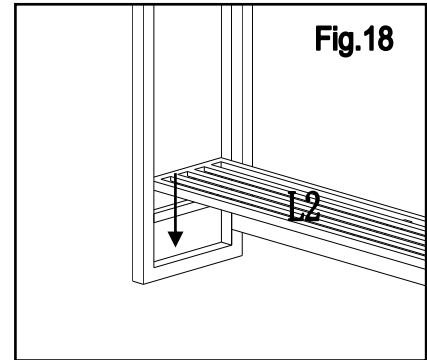
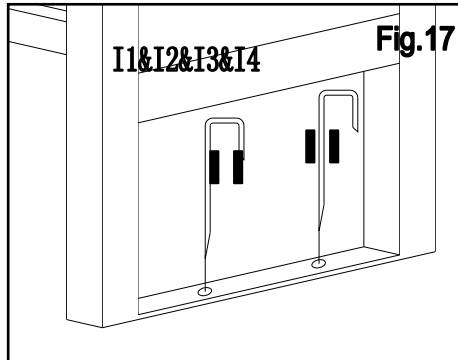
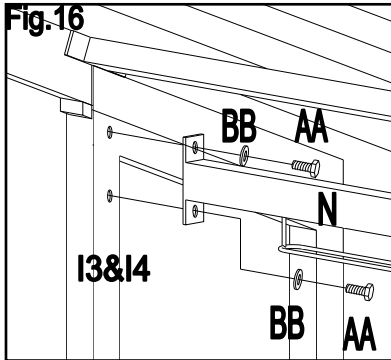


**Fig.14:** Connect Slate Table Top (K2) to Post (I1& I2) with Corner Slice L with Screw (DD) and Flat Washer (BB). Use the same way to connect another Slate Table Top (K2) to Post (I3&I4). (Note: Round shape hole of Corner Slice should attach Post, while long shape hole should attach Table Top).

**Fig.14-1:** Fix Corner Slice (L) to Table Top (K1 & K2) and Screen (J1 & J2) with Screw (DD) and Flat Washer (BB).

(Noted: Make the round hole outside the screen and the long hole on the table top when fixing)

**Fig.15:** Fix Grid (O) to Post (I1, I2) with Screw (FF) and Flat Washer (HH).



**Fig.16:** Fix Hanger Bar (N) to Post (I3, I4) with Screw (AA) and Flat Washer (BB).

**Fig.17:** Secure the Gazebo on the ground by Stake (II).

**Fig.18:** Put Shelf (L2) on the bottom of Screen, and (L1) on the middle. Assembly Completed!

**Care & Maintenance**

Before using, clean the Gazebo completely with a soft dry towel. Do not place your Gazebo in wet conditions where there is a risk of rust developing. When not in use, wipe free of any dirt or loose objects, wash with a mild solution of soap and water; rinse thoroughly and dry completely. Do not use strong detergent or abrasive cleaners.

**Limited Warranty:**

Sunjoy Industries warrants to the original purchaser that this item is free from defects in workmanship and materials for a period of 1 year from the date of purchase, provided the item was factory-sealed at the time of purchase and is maintained with care and used only for personal, residential purposes. Should any manufacturing defect arise within this warranty period, Sunjoy Industries will repair or replace (at our option) any defective merchandise upon proof of purchase; however, transportation and delivery costs, as well as payments to a third party for assembly or disassembly of the item, remain the responsibility of the purchaser. A purchaser of an "open box," previously-returned, or "clearance" item, as well as original purchasers outside of the warranty period, may obtain replacement parts from Sunjoy Industries for products in current production, at nominal cost.

**Exclusions:**

Items used for commercial, contract, or other non-residential purposes, or items damaged due to acts of nature, vandalism, misuse, or improper assembly are not covered. Corrosion or rusting of hardware is not covered. Proof of purchase (dated register receipt) is required for warranty claims. Warranty is to the original purchaser and is non-transferable. Any replacement of warranted items will be in the original style and color, or a similar style and color if the original is unavailable or has been discontinued. As some states do not allow exclusions or limitations on an implied warranty, the above exclusions and limitations may not apply. This warranty gives you specific rights, and you may also have other rights, which vary from state to state.